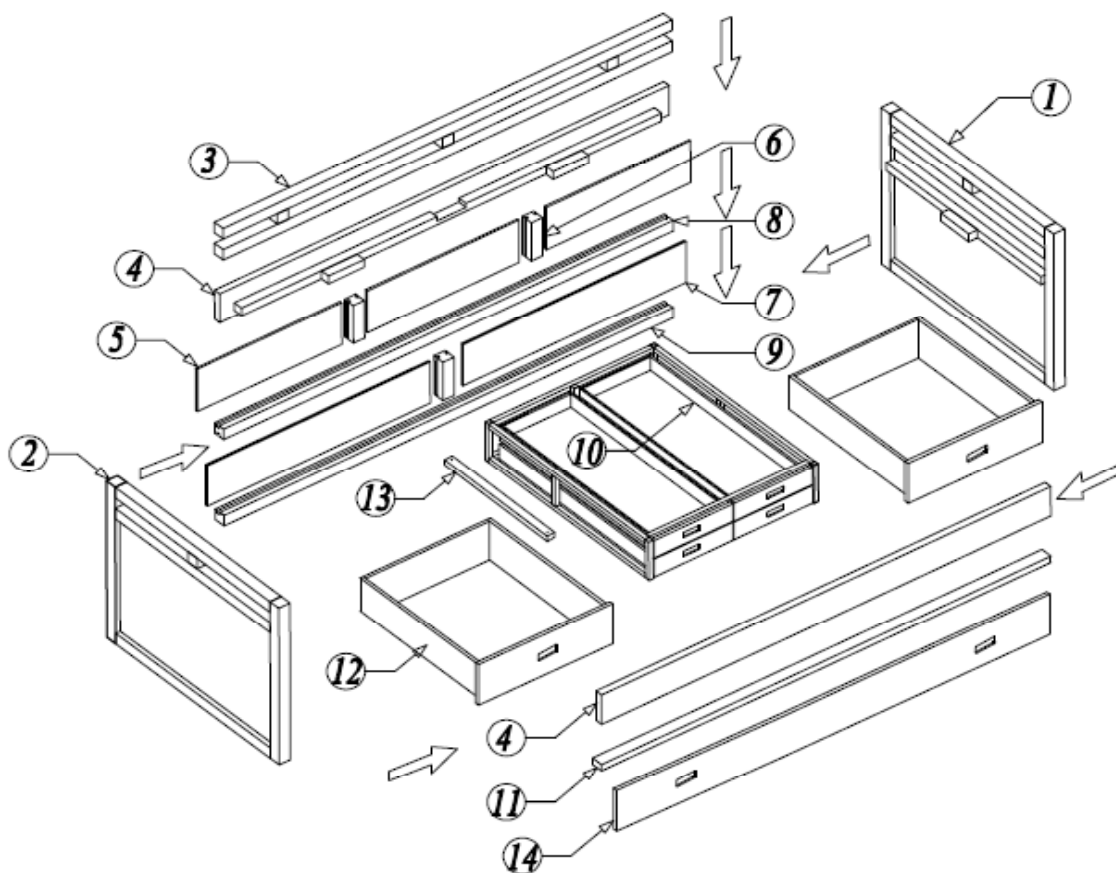
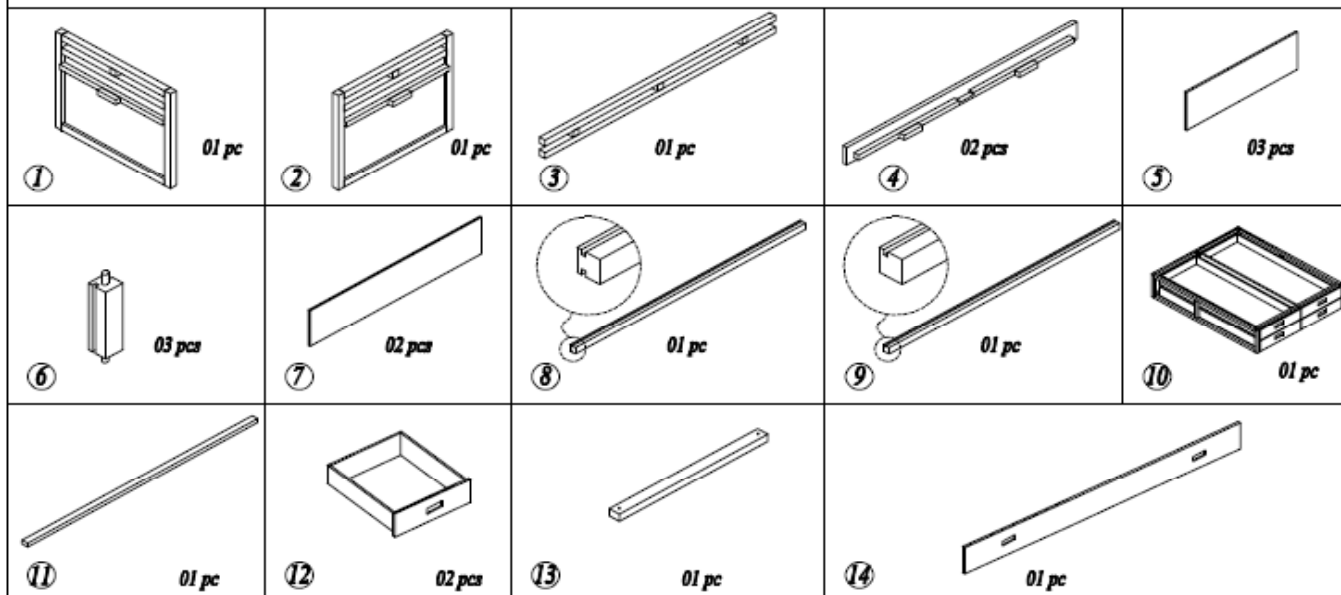


ASEMBLY INSTRUCTION

DOUBLE BED AR-0094

1/3



ASEMBLY INSTRUCTION

DOUBLE BED

AR-0094

2/3



A M8 x 15 (08 pcs)



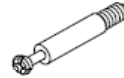
B M6 x 50 (02 pcs)



C Ø4 x 30 (06 pcs)



D Ø14 x 12 (04 pcs)



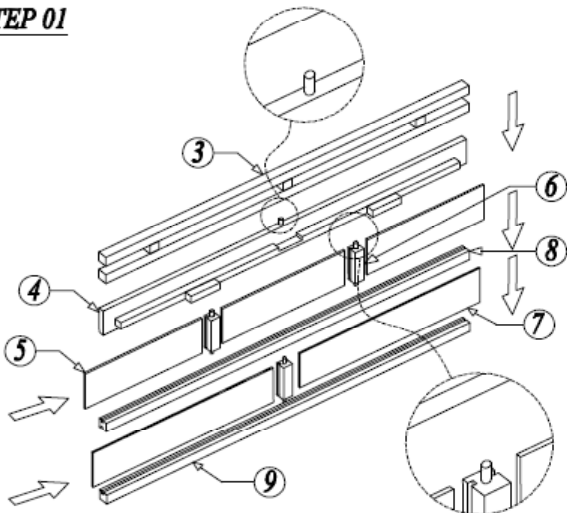
E Ø14 x 12 (04 pcs)



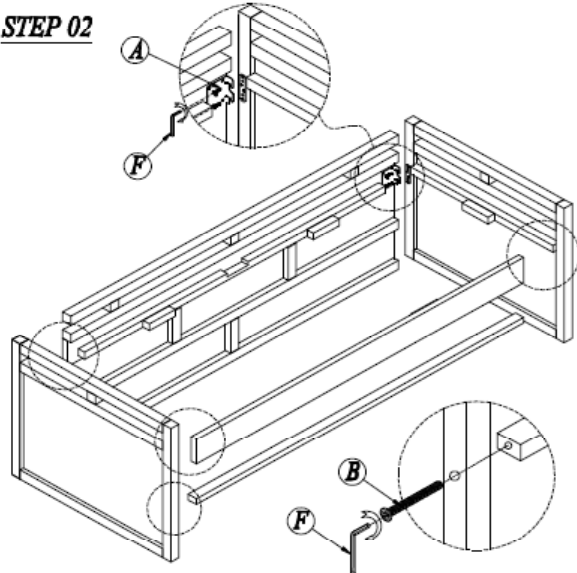
F Ø4 x 50 (01 pc)

HARDWARE

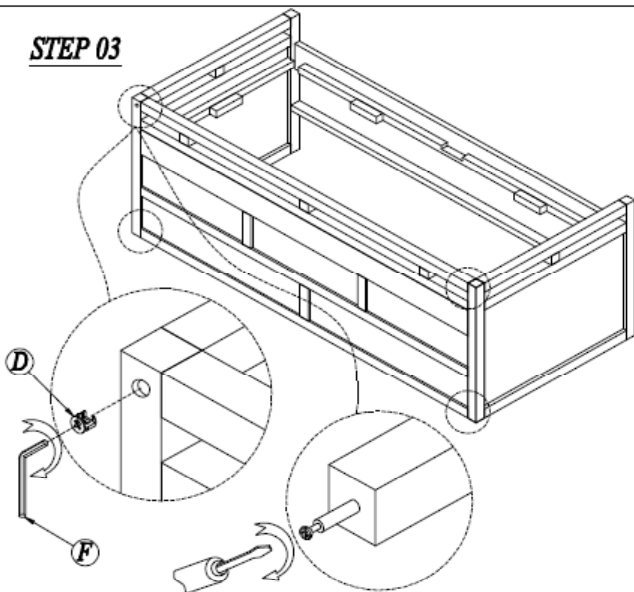
STEP 01



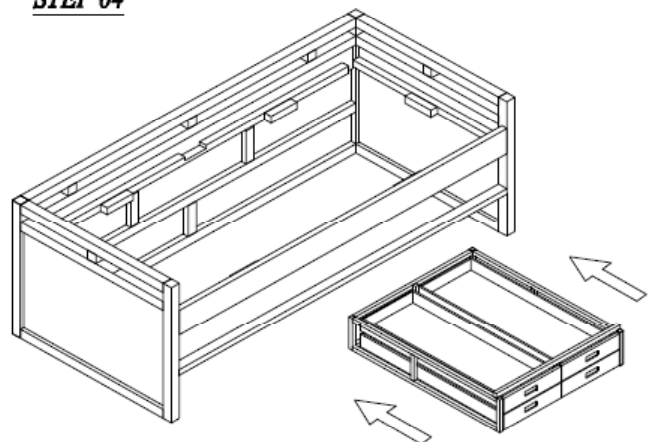
STEP 02



STEP 03



STEP 04

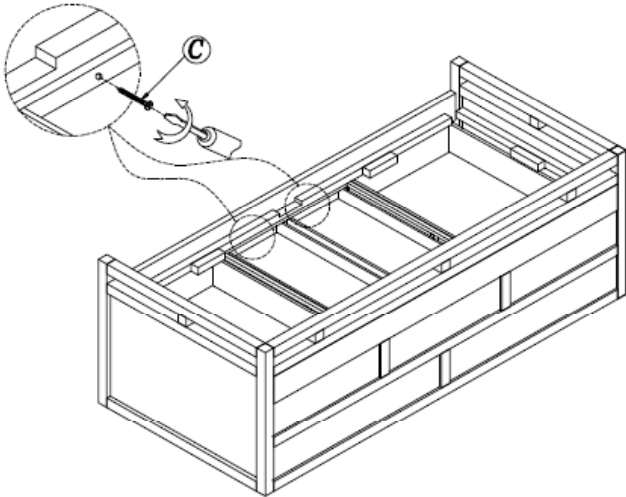


ASSEMBLY INSTRUCTION

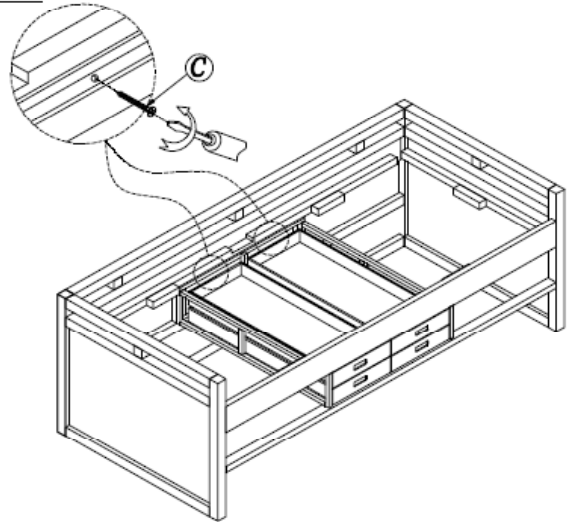
DOUBLE BED AR-0094

3/3

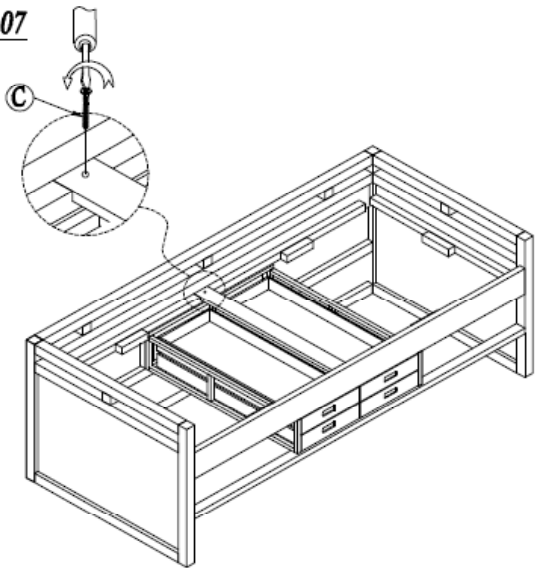
STEP 05



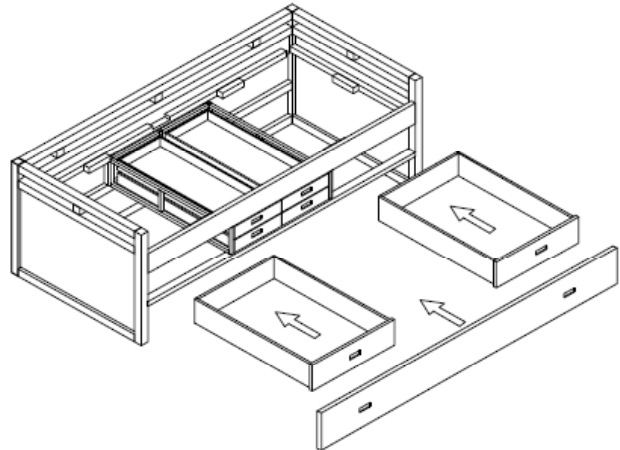
STEP 06



STEP 07



STEP 08



STEP 09

