

# BANAK

# HARU

AA-0001

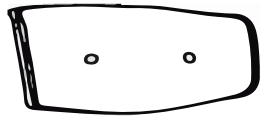


# BANAK

# HARU

AA-0001

Ax1



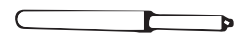
Dx1



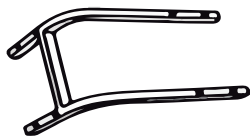
Bx1



Ex1



Cx1



Fx1



Gx1



Hx4



M6x18x1mm

Jx4



M6x20mm

Ix8



M6x35mm

Kx1



Lx5

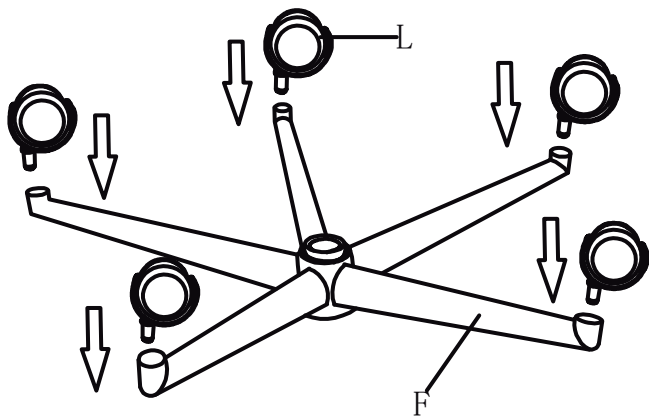


# BANAK

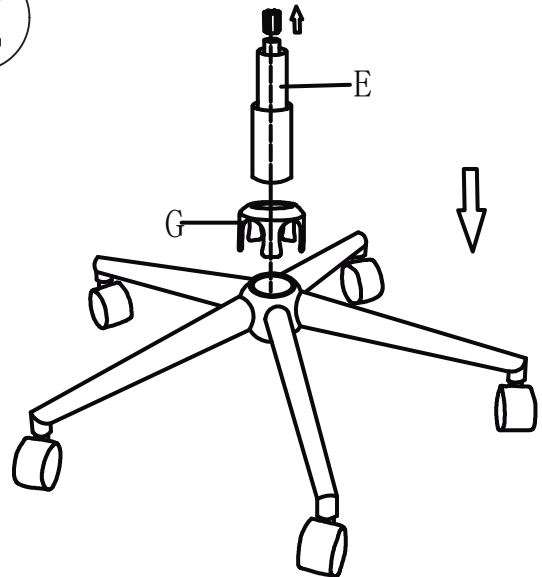
# HARU

AA-0001

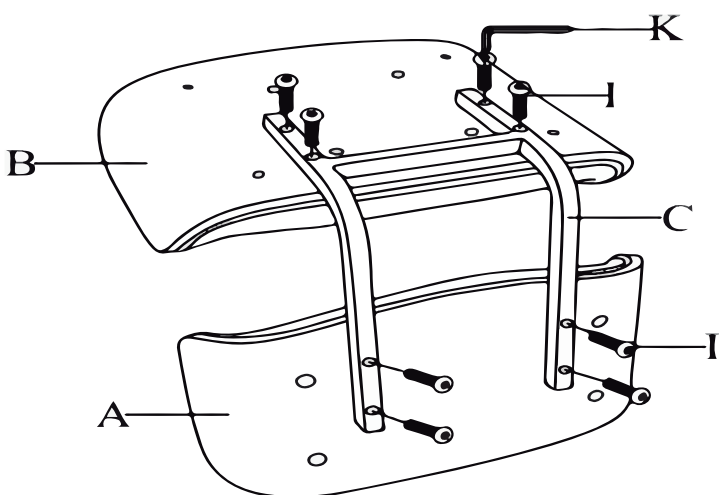
1



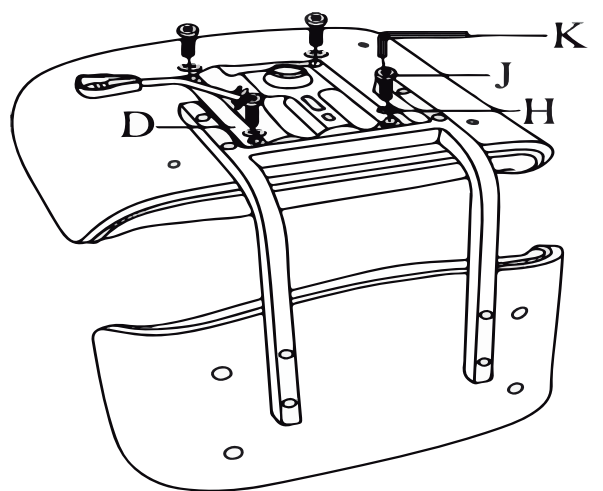
2



3



4

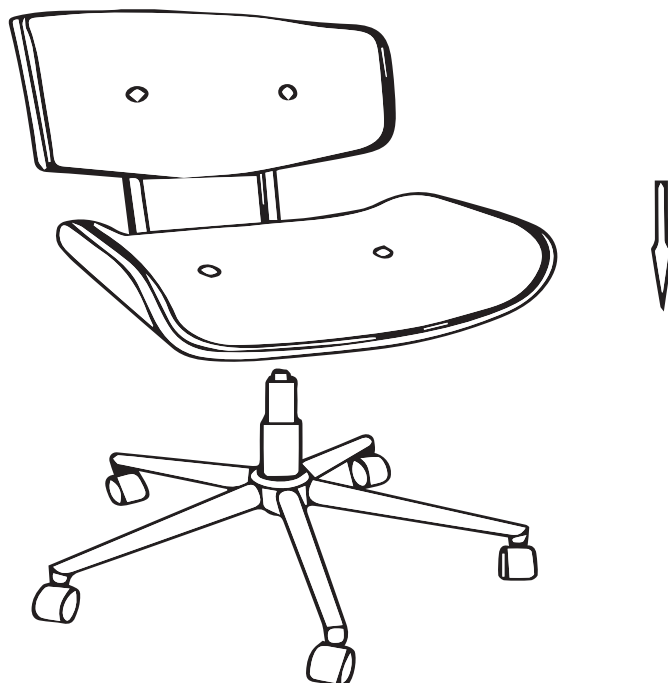


# BANAK

# HARU

AA-0001

5



6

