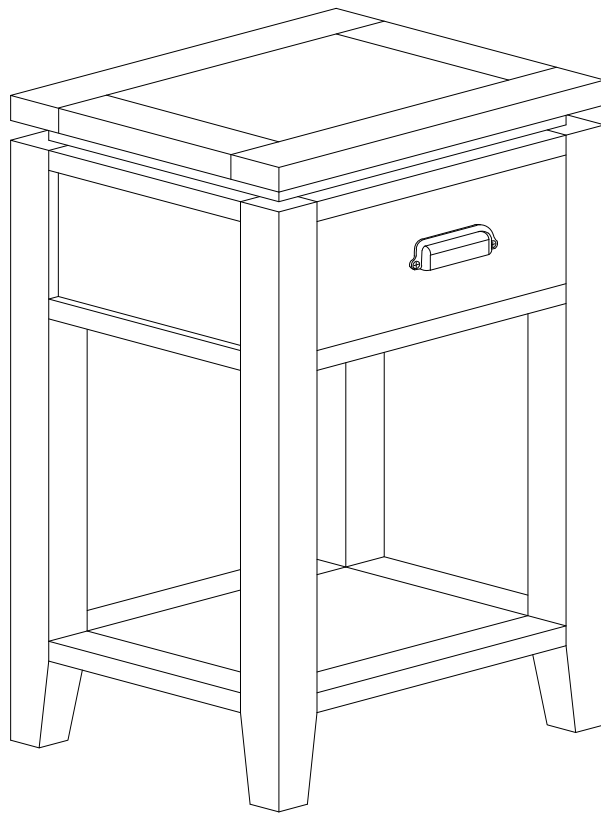


BANAK

AVELIN

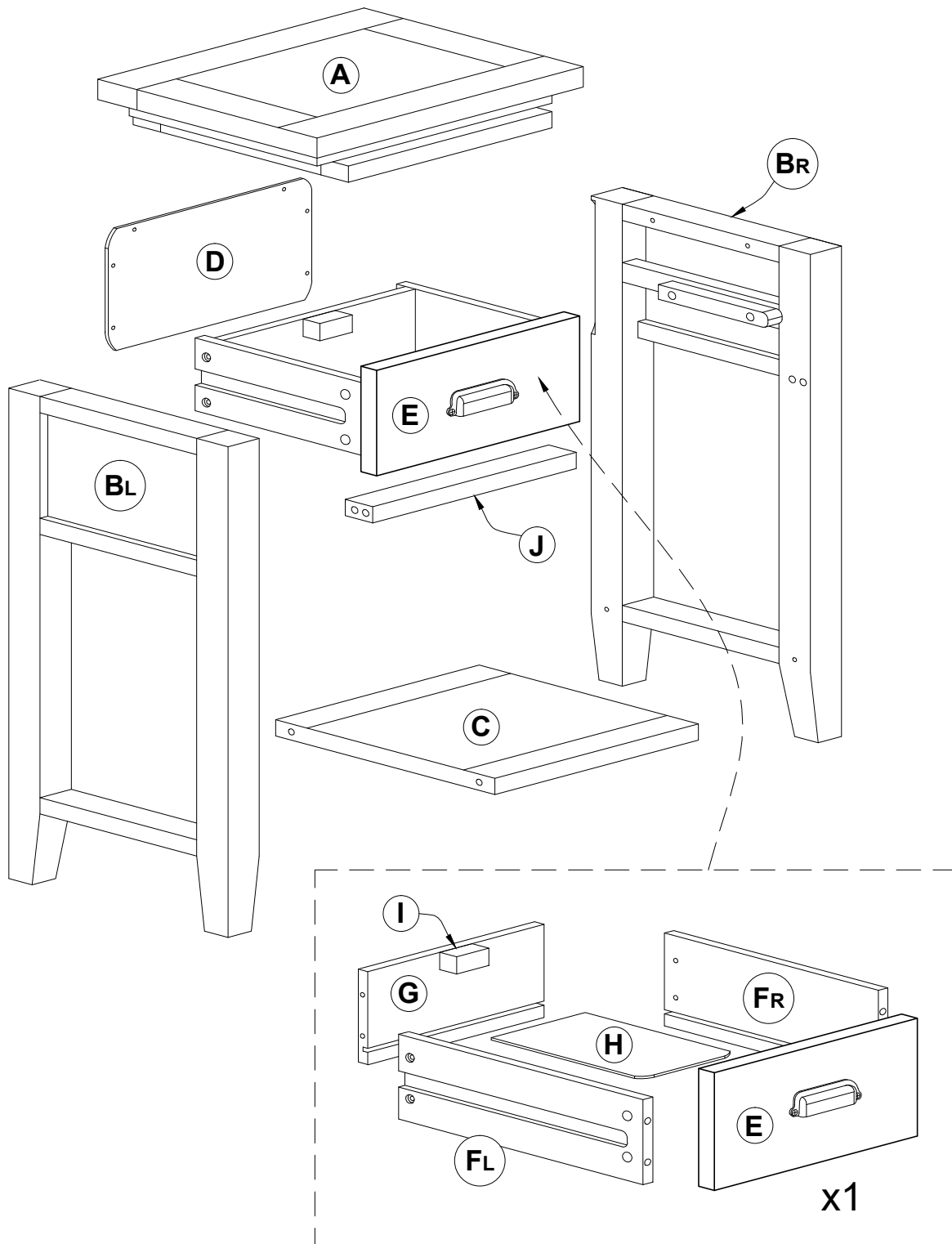
AL-0001B-A-2



BANAK

AVELIN

AL-0001B-A-2

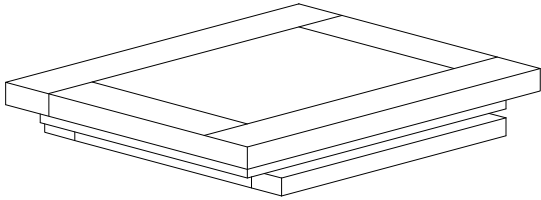


BANAK

AVELIN

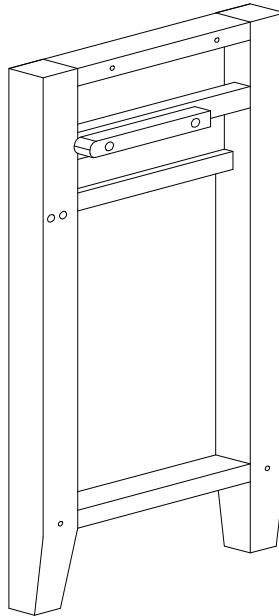
AL-0001B-A-2

A



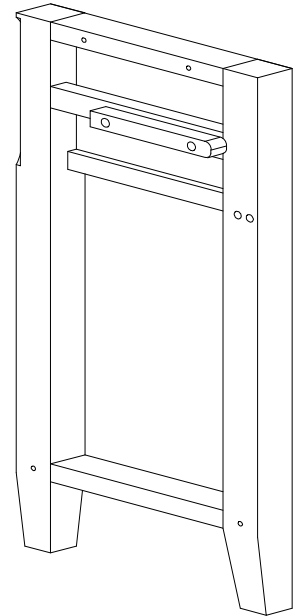
x1

BL



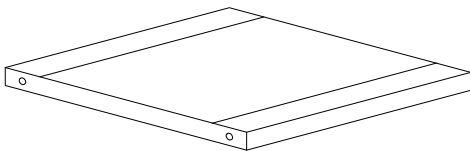
x1

BR



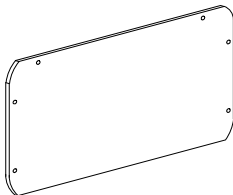
x1

C



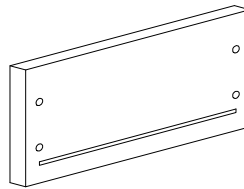
x1

D



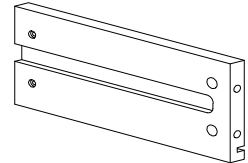
x1

E



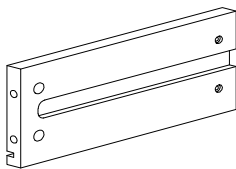
x1

FL



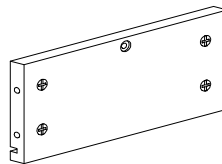
x1

FR



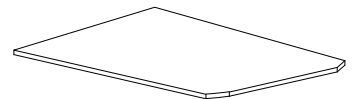
x1

G



x1

H



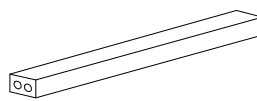
x1

I



x1

J



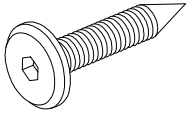
x1

BANAK

AVELIN

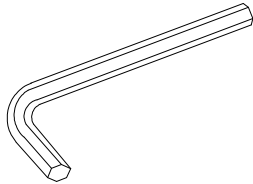
AL-0001B-A-2

1



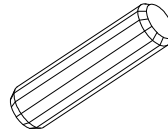
x4
M6x30

2



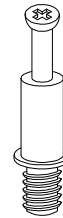
x1
4mm

3

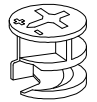


x4
Ø8x30

4

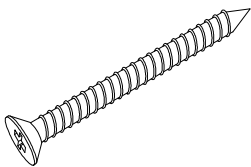


x4
Ø6



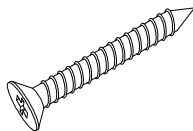
x4
Ø12x10

5



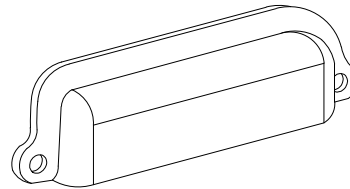
x4
M4x40

6

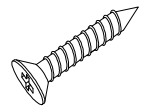


x1
M4x25

7

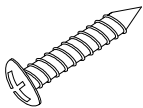


x1
HANDLE



x2
M3x15

8



x6
M3.5x15

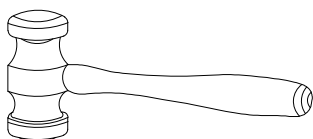
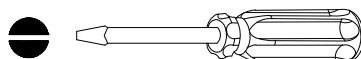
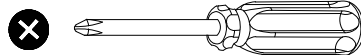
9



x4
Ø7



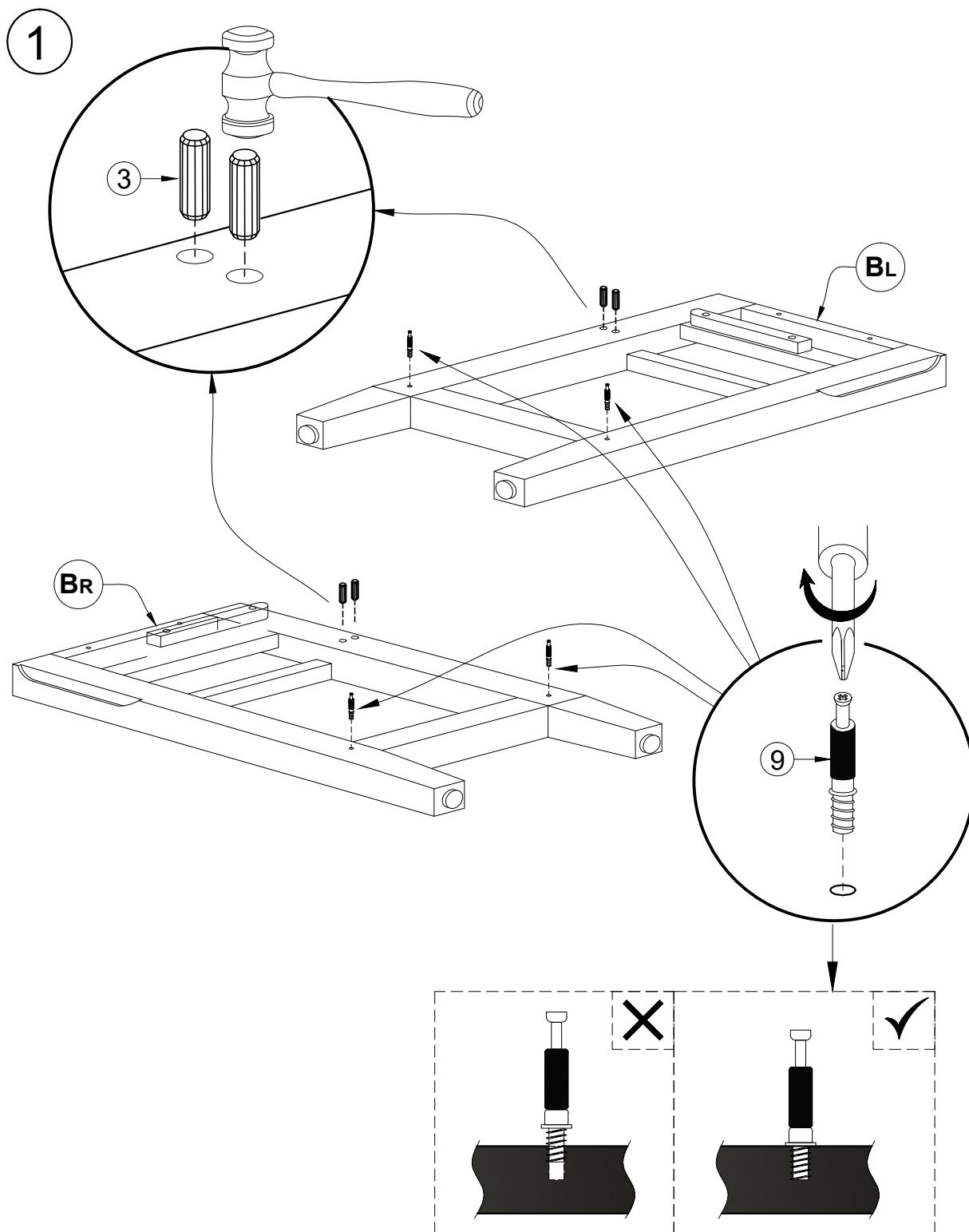
x4
Ø15



BANAK

AVELIN

AL-0001B-A-2

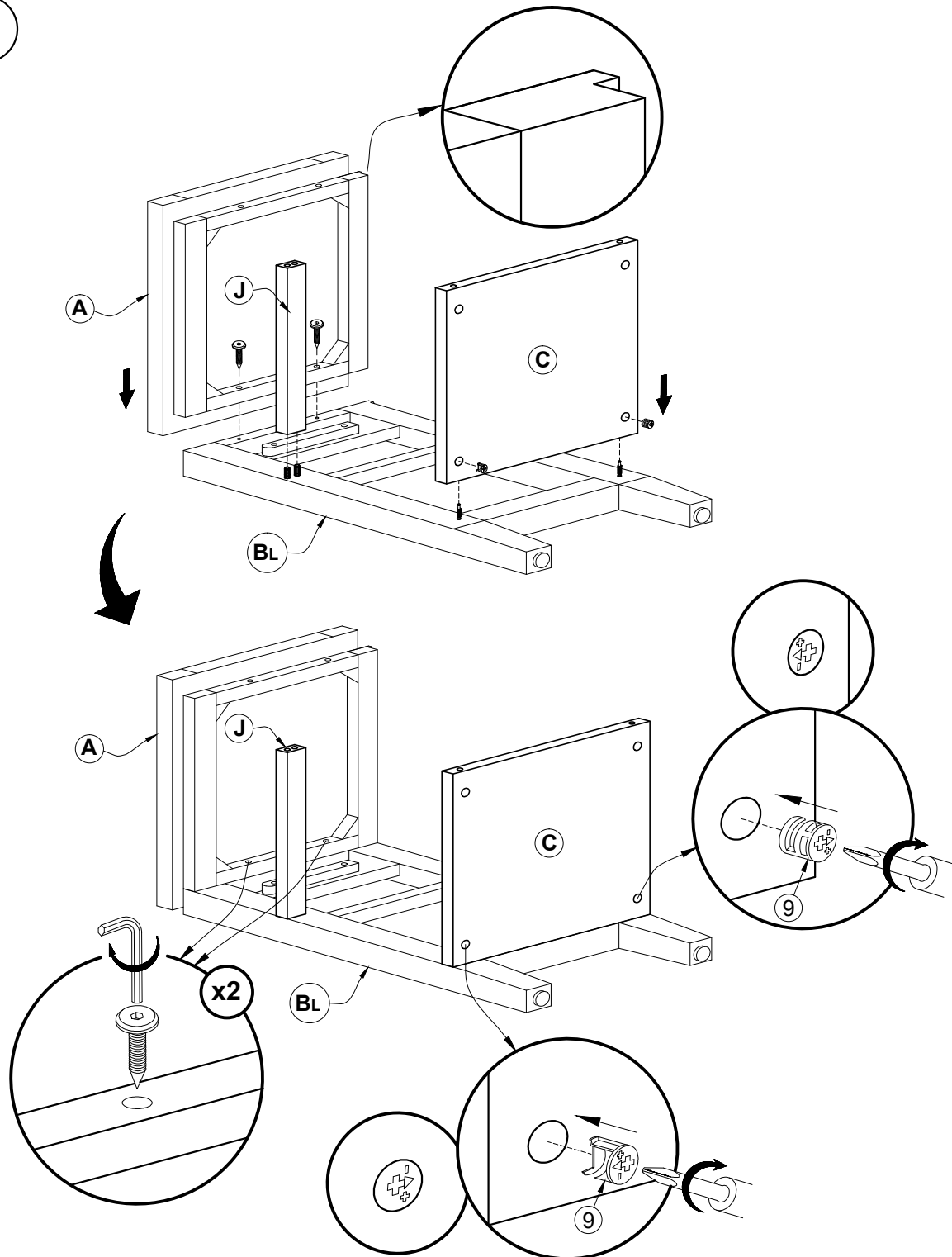


BANAK

AVELIN

AL-0001B-A-2

2

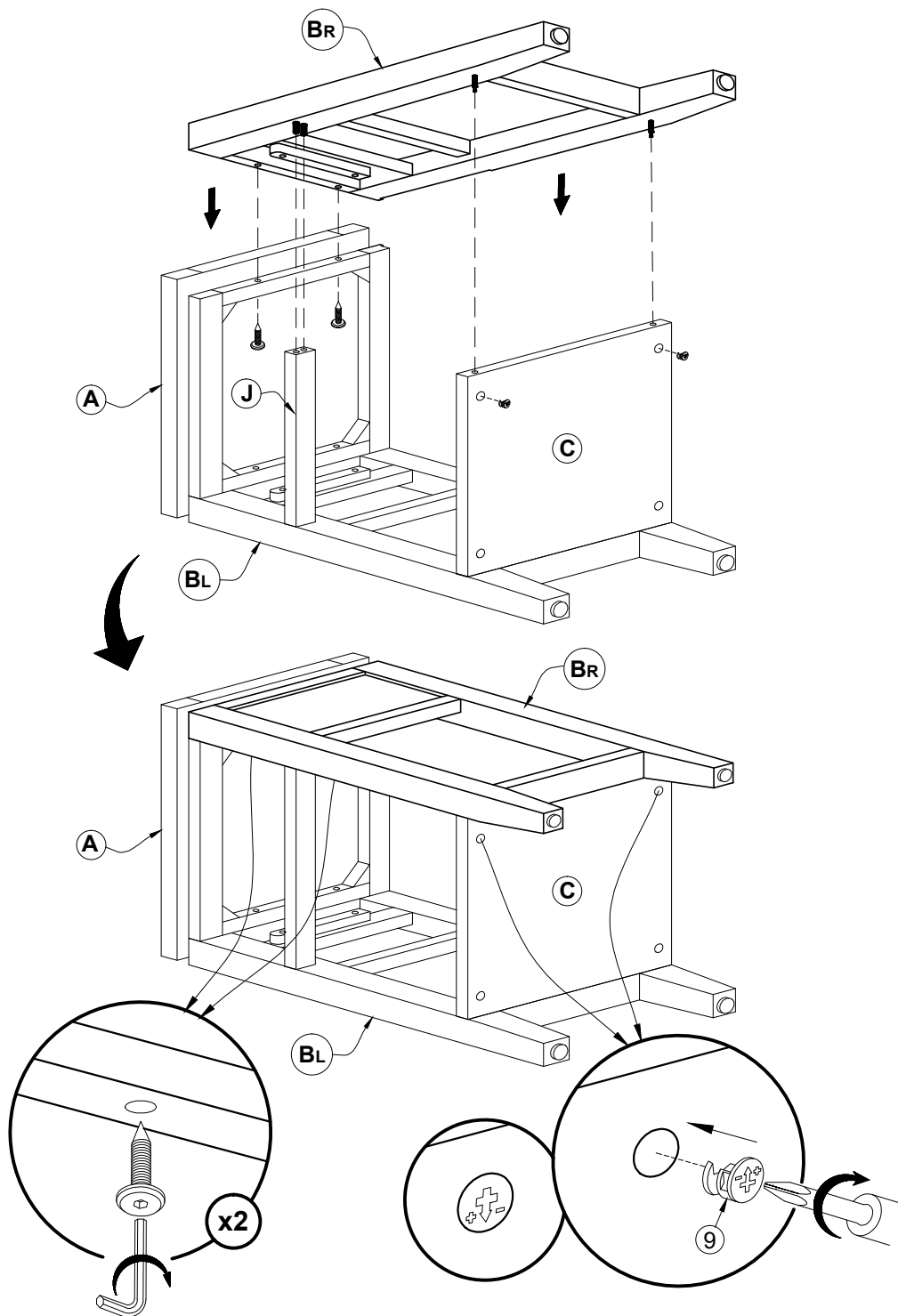


BANAK

AVELIN

AL-0001B-A-2

3

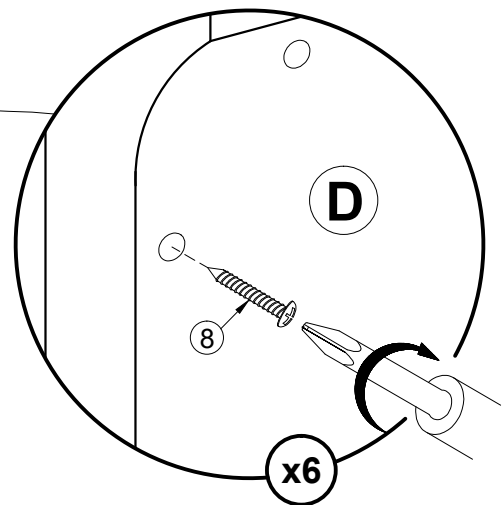
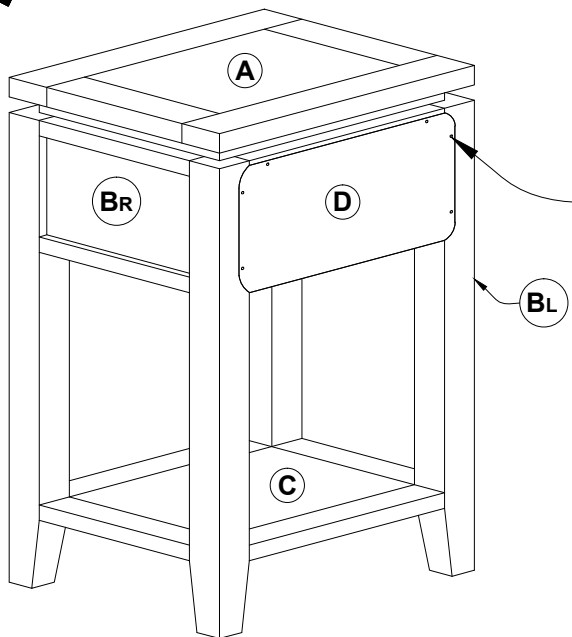
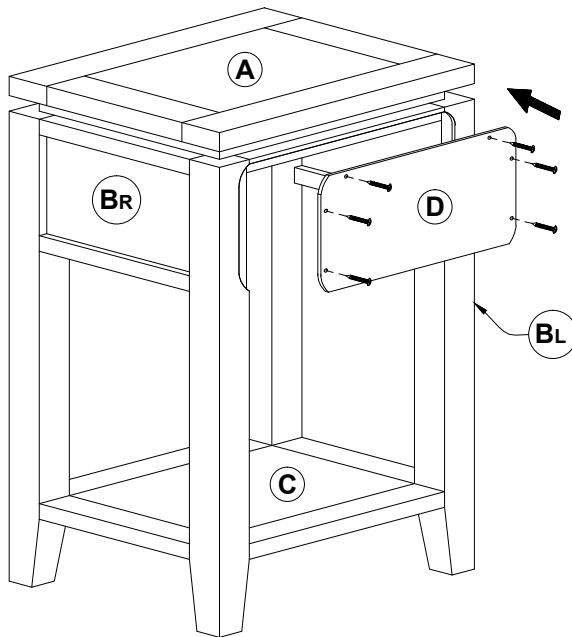


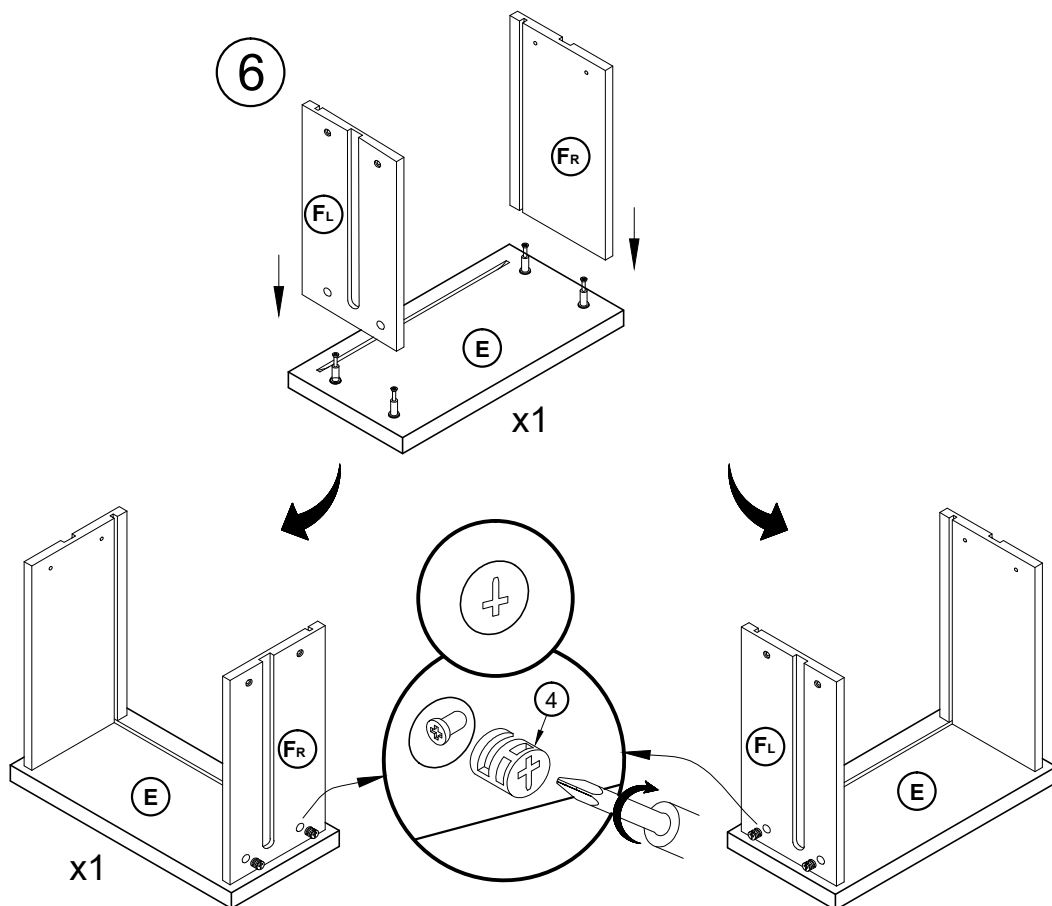
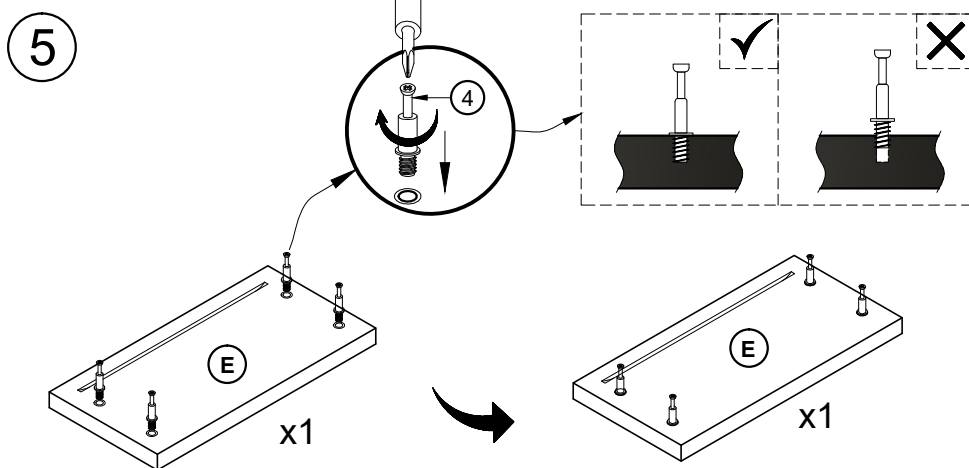
BANAK

AVELIN

AL-0001B-A-2

4



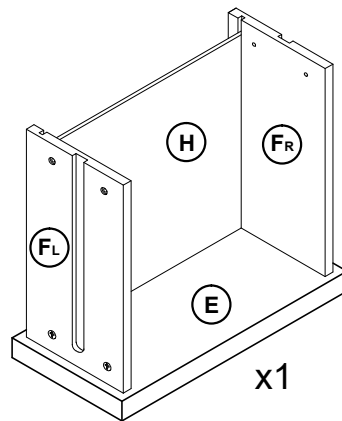
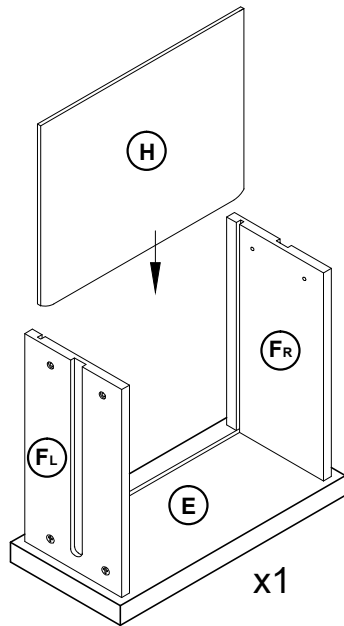


BANAK

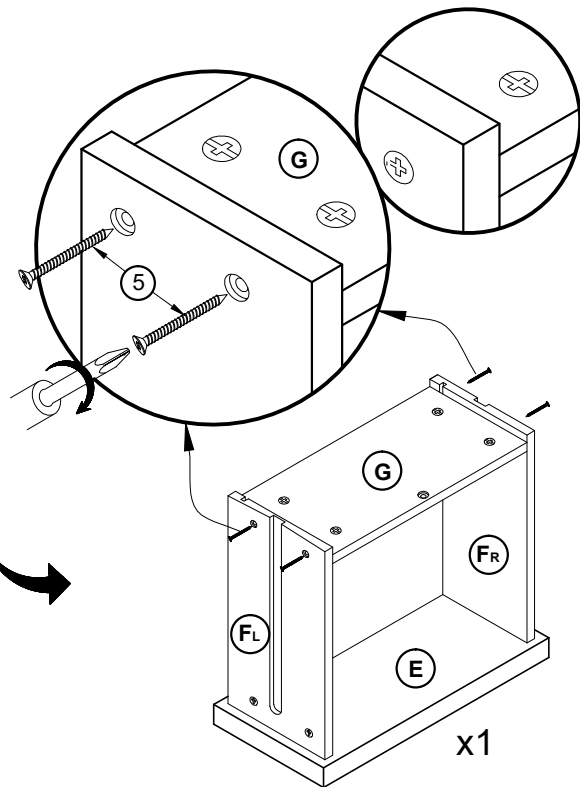
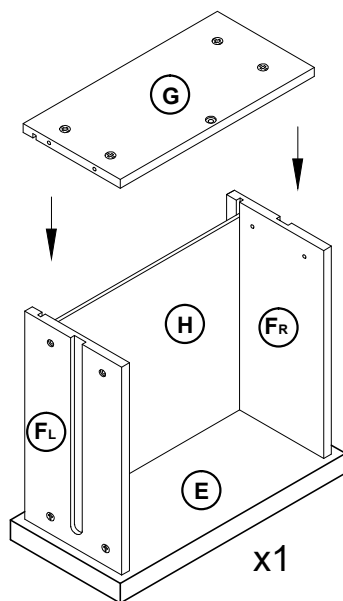
AVELIN

AL-0001B-A-2

7



8

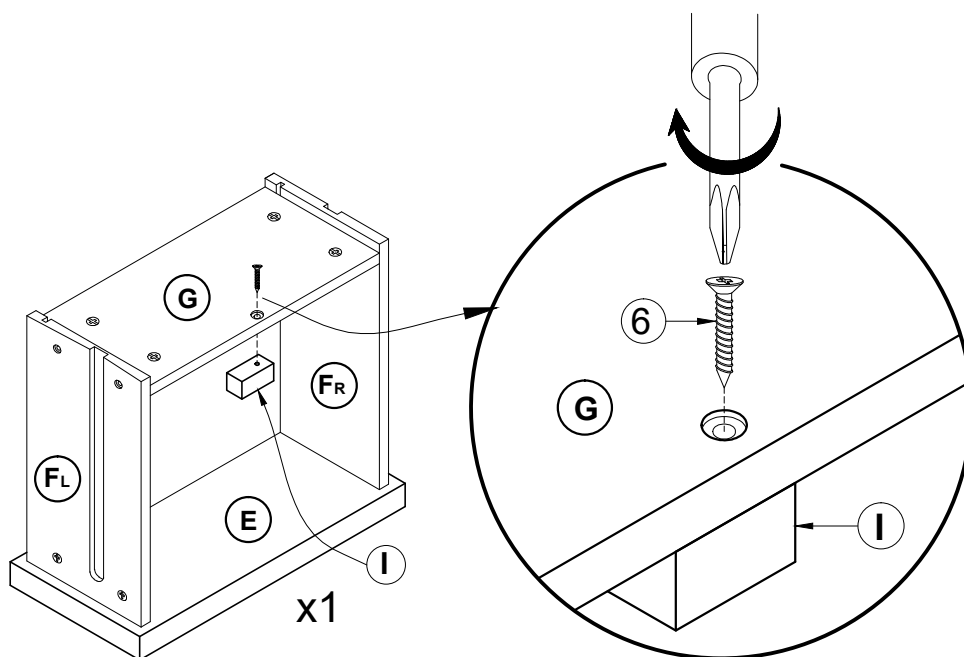


BANAK

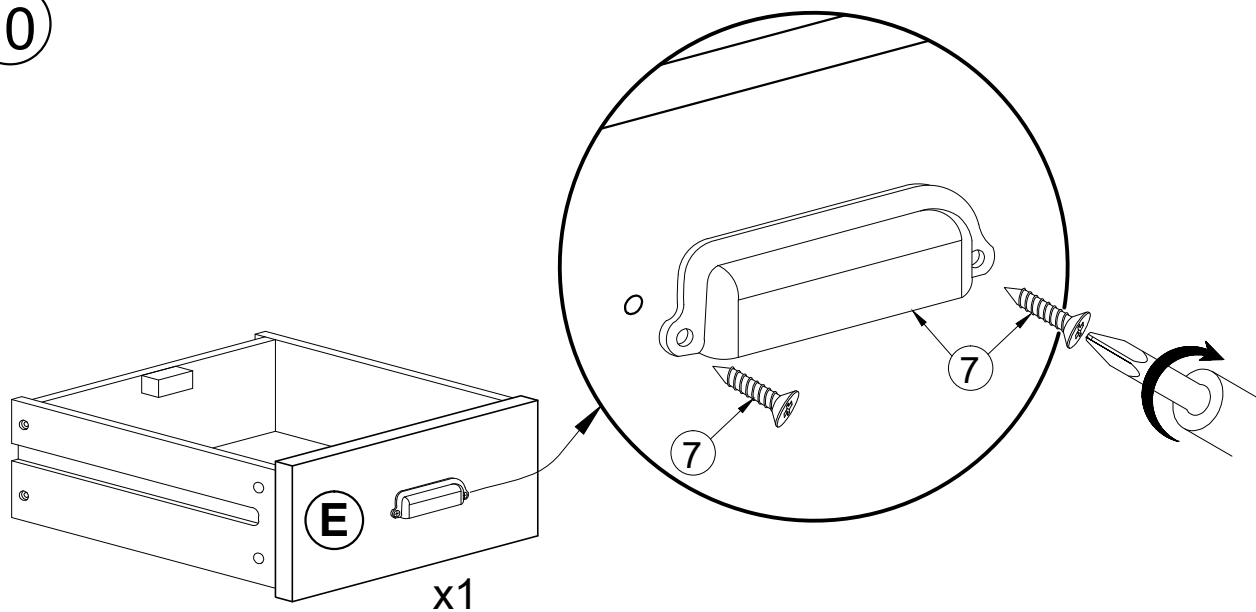
AVELIN

AL-0001B-A-2

9



10



BANAK

AVELIN

AL-0001B-A-2

11

