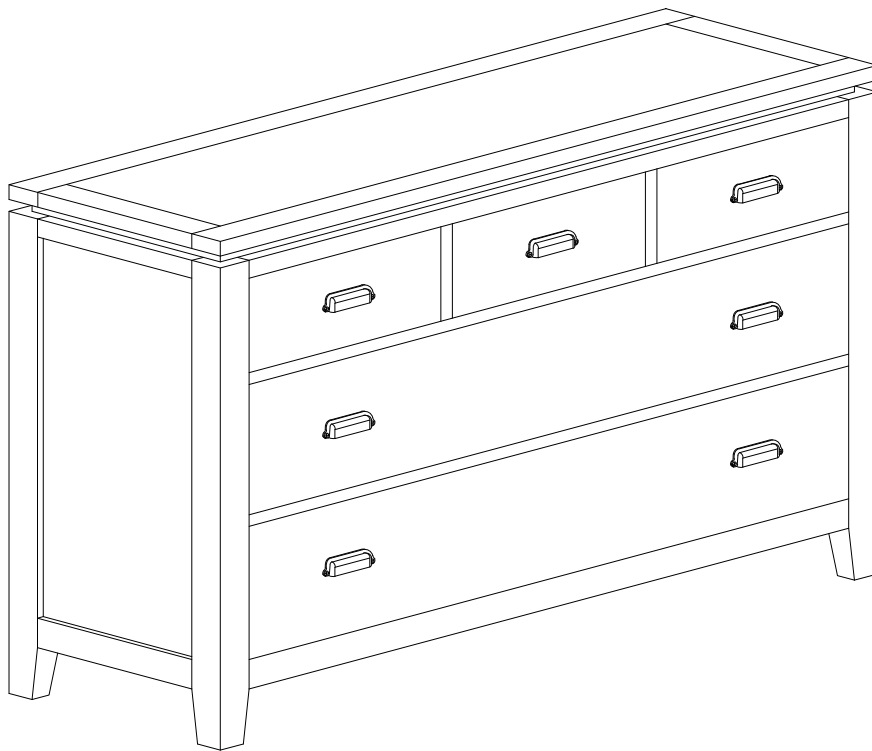


BANAK

AVELIN

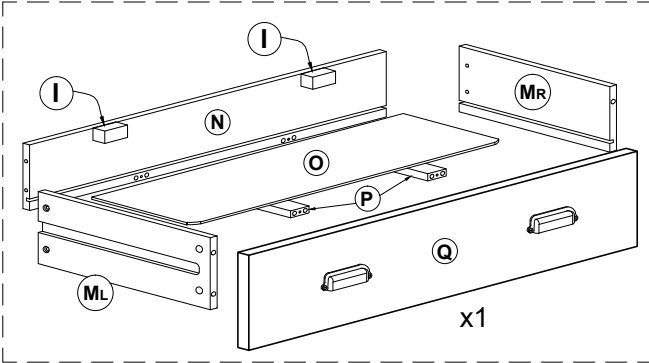
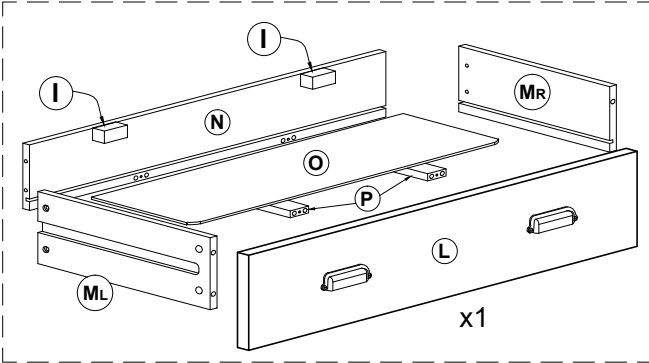
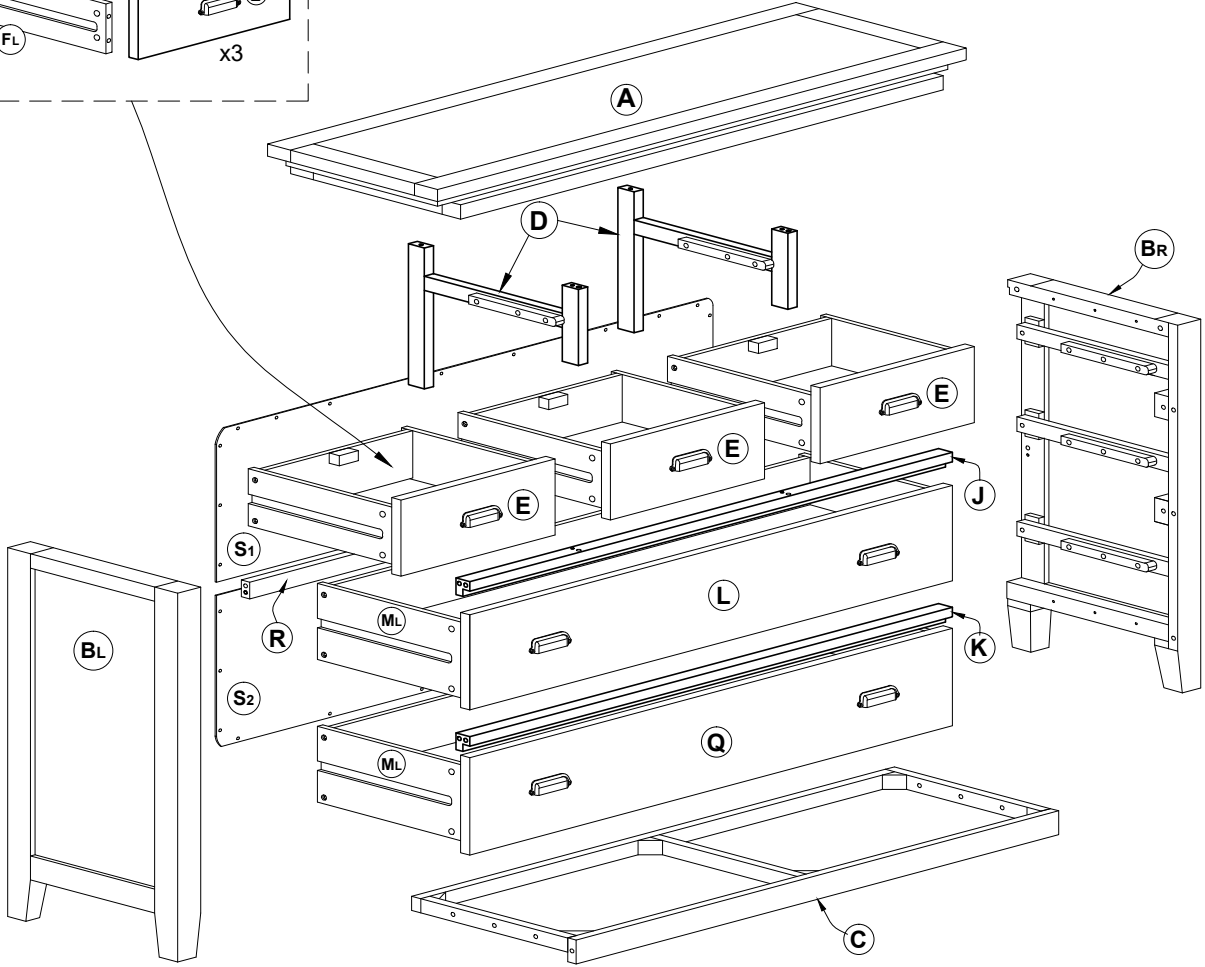
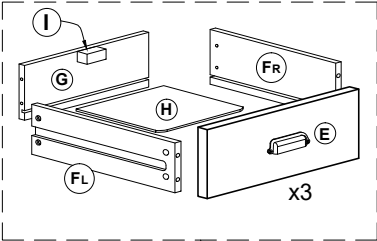
AL-0003B-A-2



BANAK

AVELIN

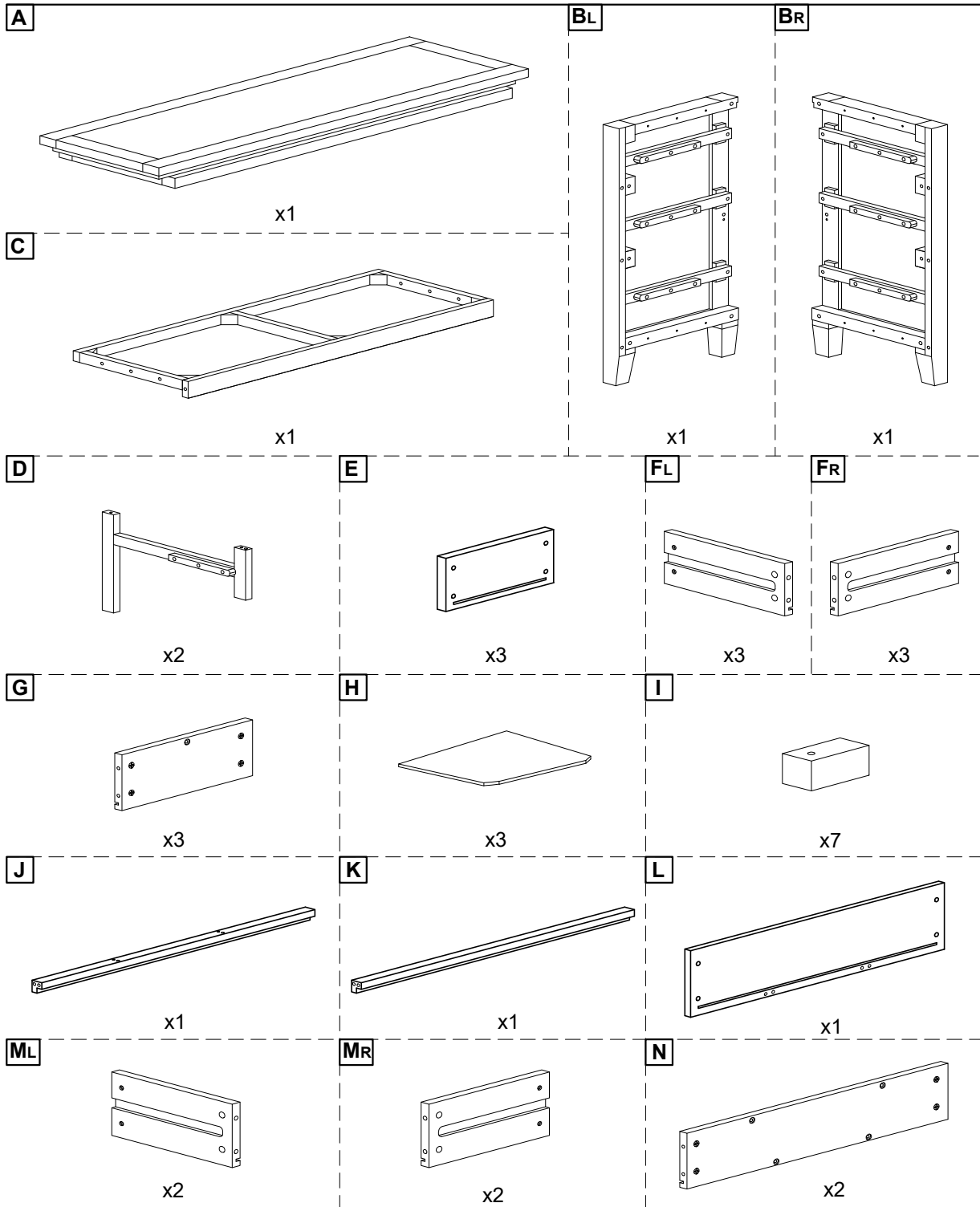
AL-0003B-A-2



BANAK

AVELIN

AL-0003B-A-2

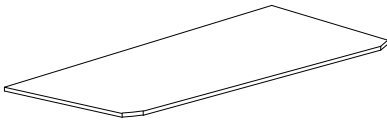


BANAK

AVELIN

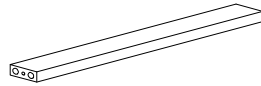
AL-0003B-A-2

O



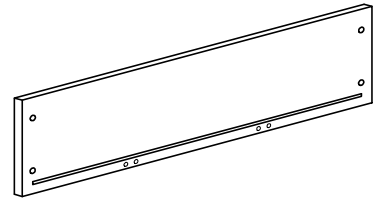
x2

P



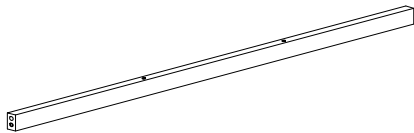
x4

Q



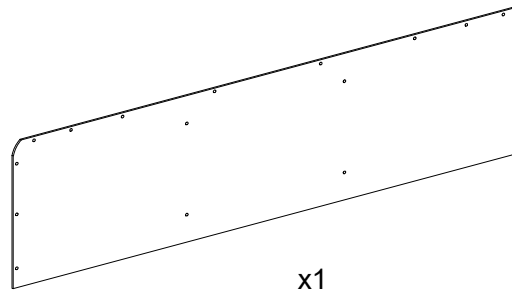
x1

R



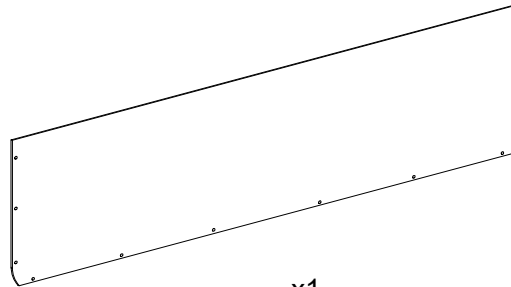
x1

S1



x1

S2

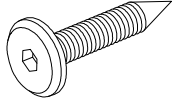
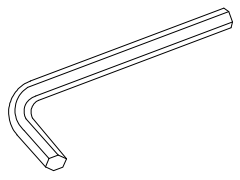
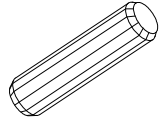
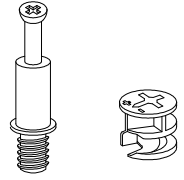

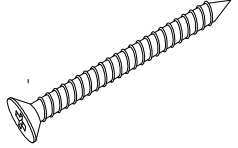
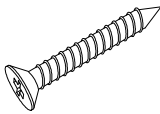
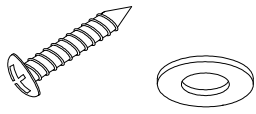

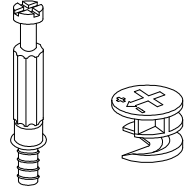

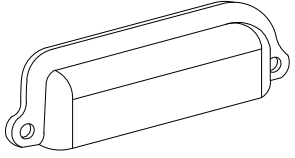
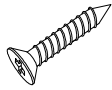


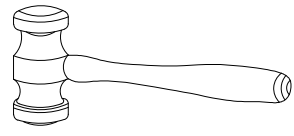
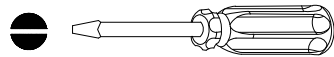
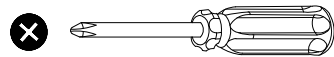
x1

BANAK

AVELIN

AL-0003B-A-2

<p>1</p>  <p>x12 M6x30</p>	<p>2</p>  <p>x1 4mm</p>	<p>3</p>  <p>x32 Ø8x30</p>	<p>4</p>  <p>x20 Ø6</p>  <p>x20 Ø12x10</p>
<p>5</p>  <p>x20 M4x40</p>	<p>6</p>  <p>x15 M4x25</p>	<p>7</p>  <p>x34 M3.5x15</p>  <p>x6 Ø4/Ø8</p>	<p>8</p>  <p>x10 Ø7</p>  <p>x10 Ø15</p>
<p>9</p>  <p>x7 HANDLE</p>  <p>x14 M3x15</p>			

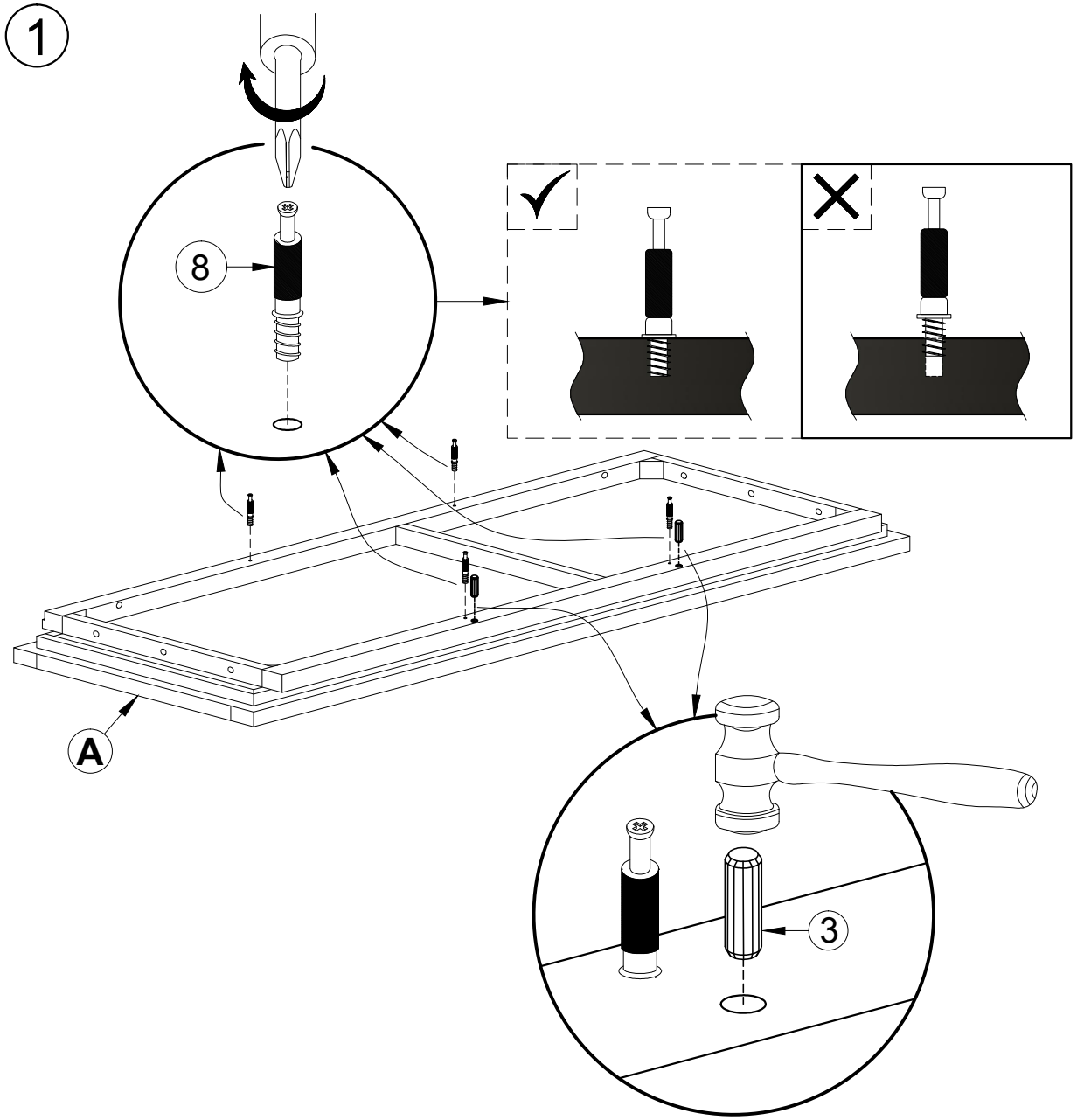


BANAK

AVELIN

AL-0003B-A-2

1

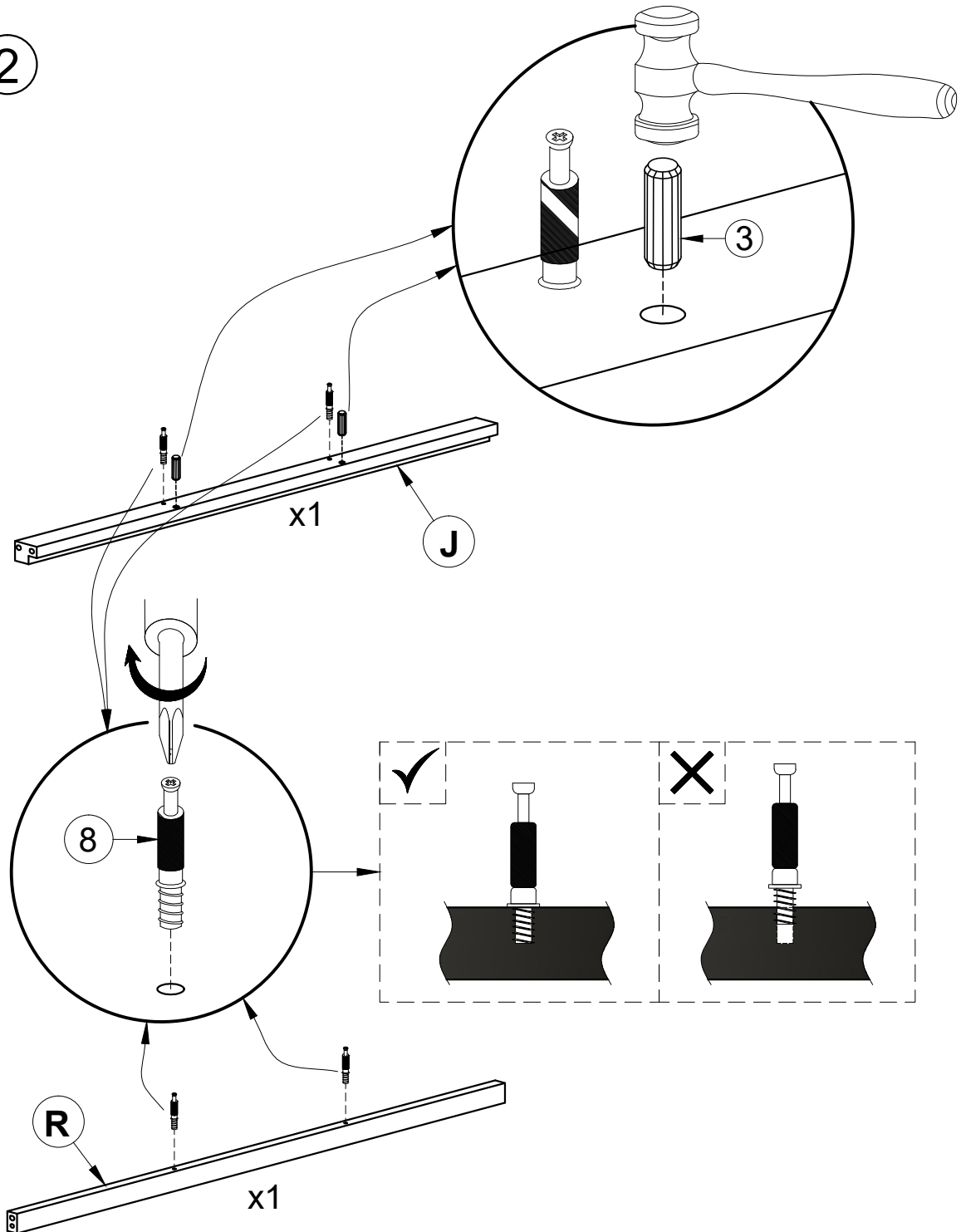


BANAK

AVELIN

AL-0003B-A-2

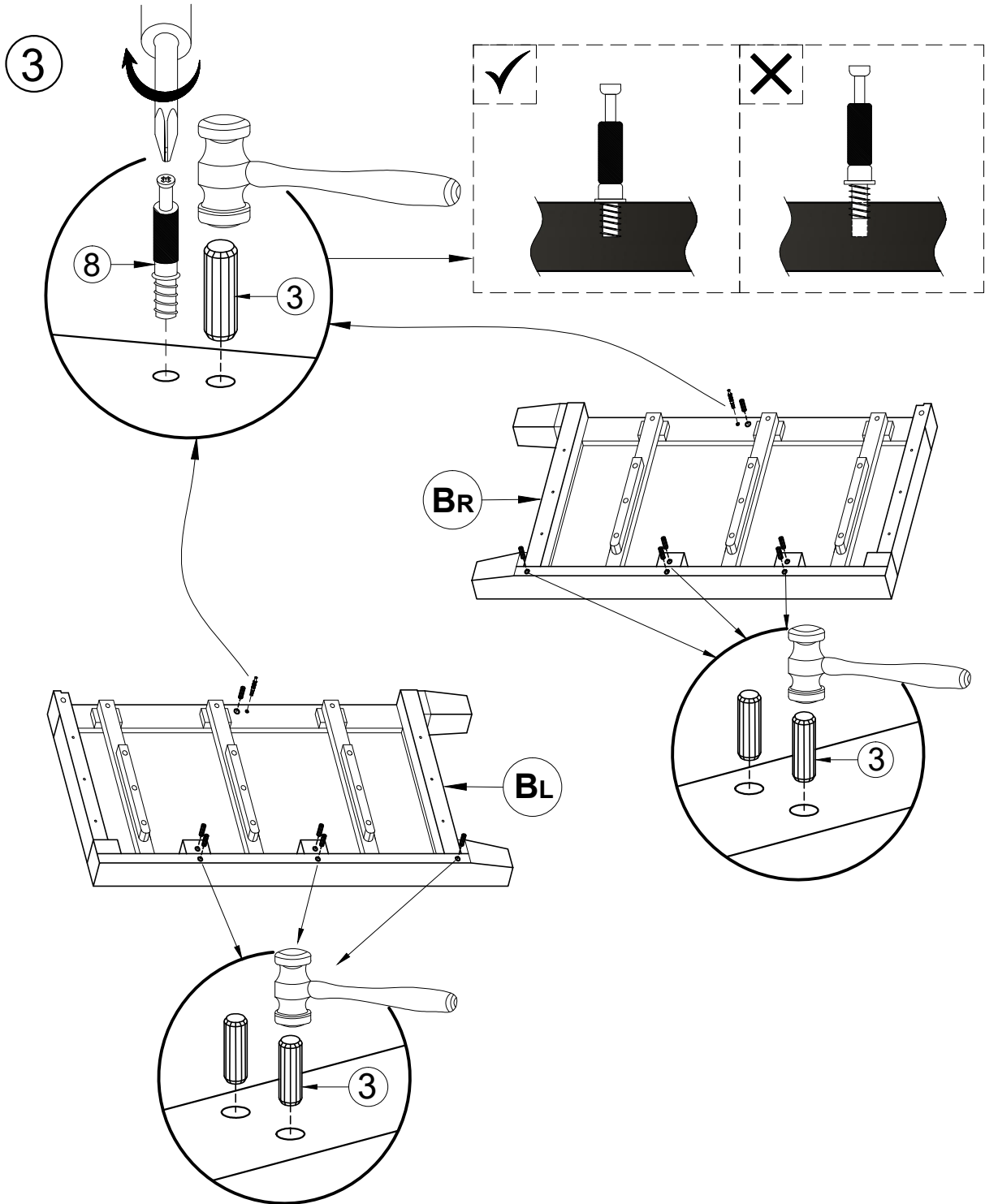
2



BANAK

AVELIN

AL-0003B-A-2

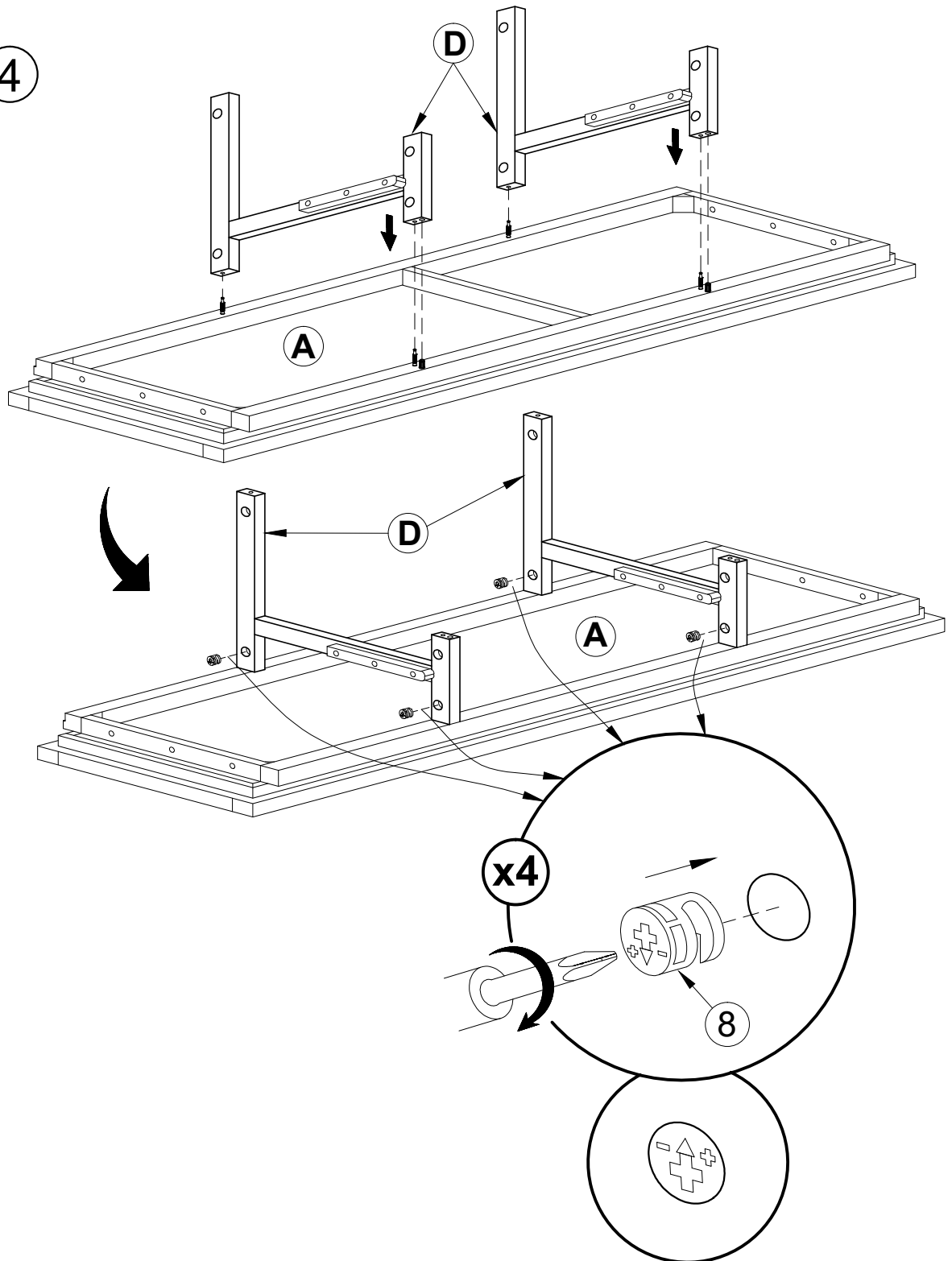


BANAK

AVELIN

AL-0003B-A-2

4

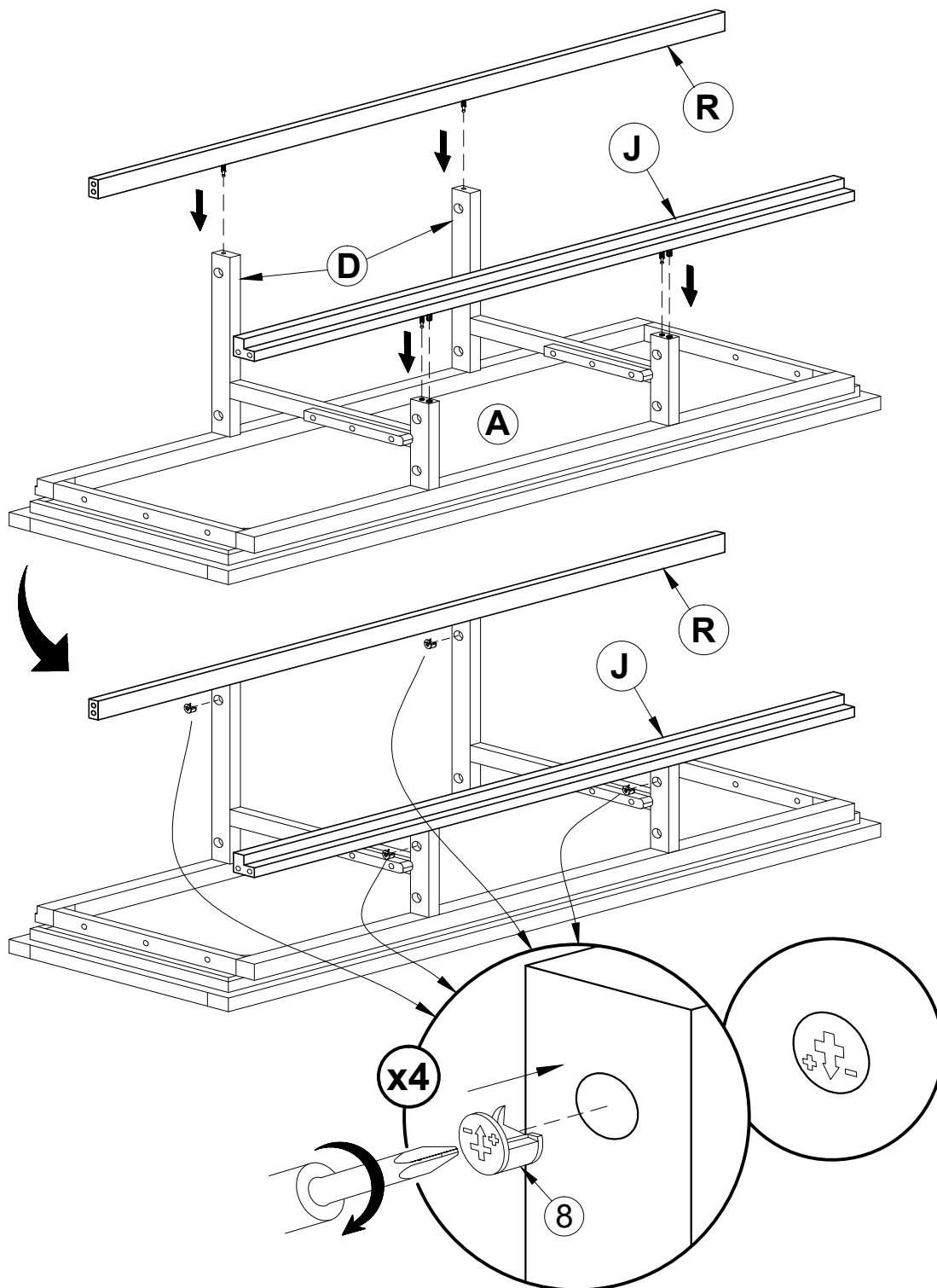


BANAK

AVELIN

AL-0003B-A-2

5

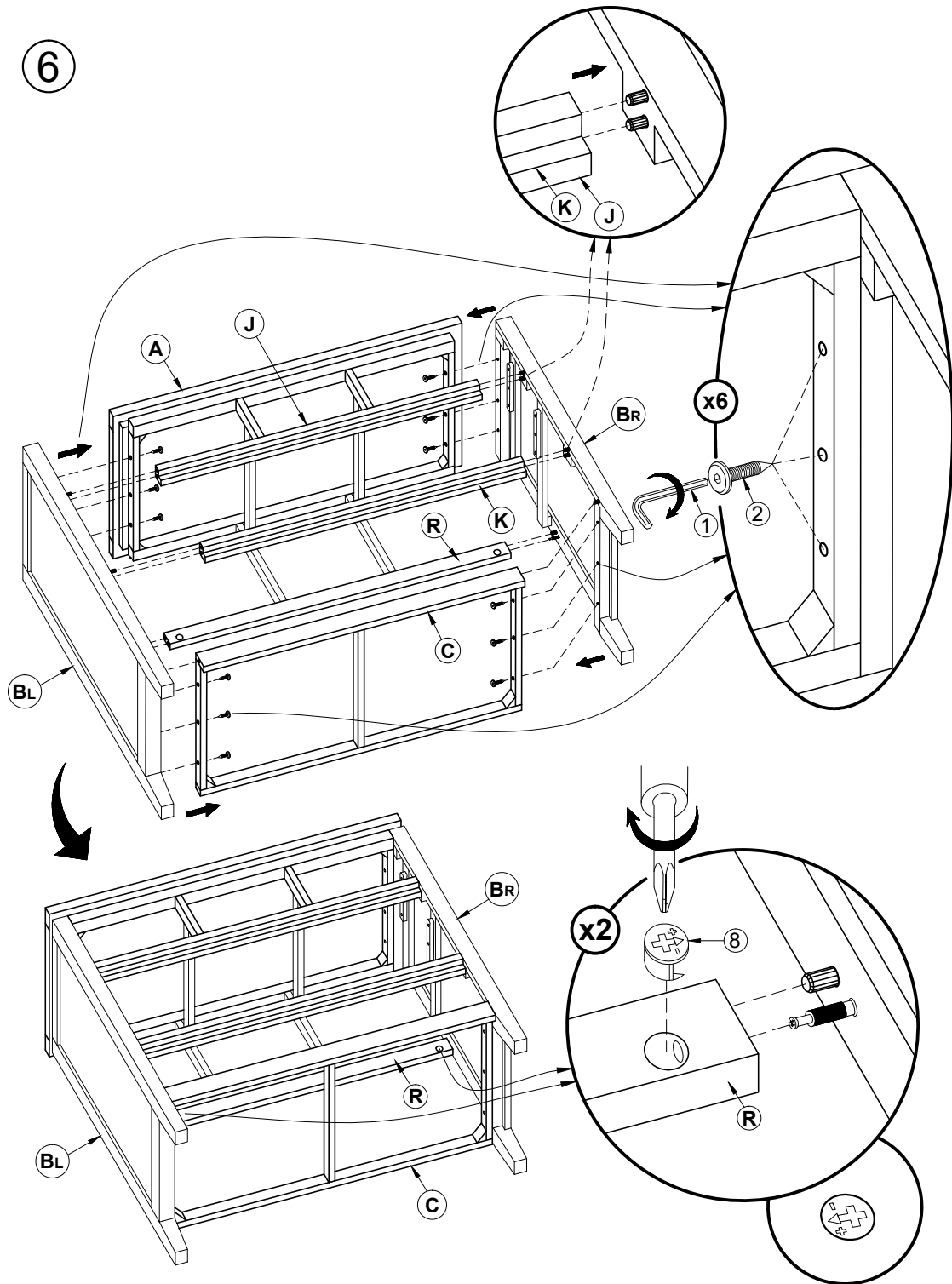


BANAK

AVELIN

AL-0003B-A-2

6

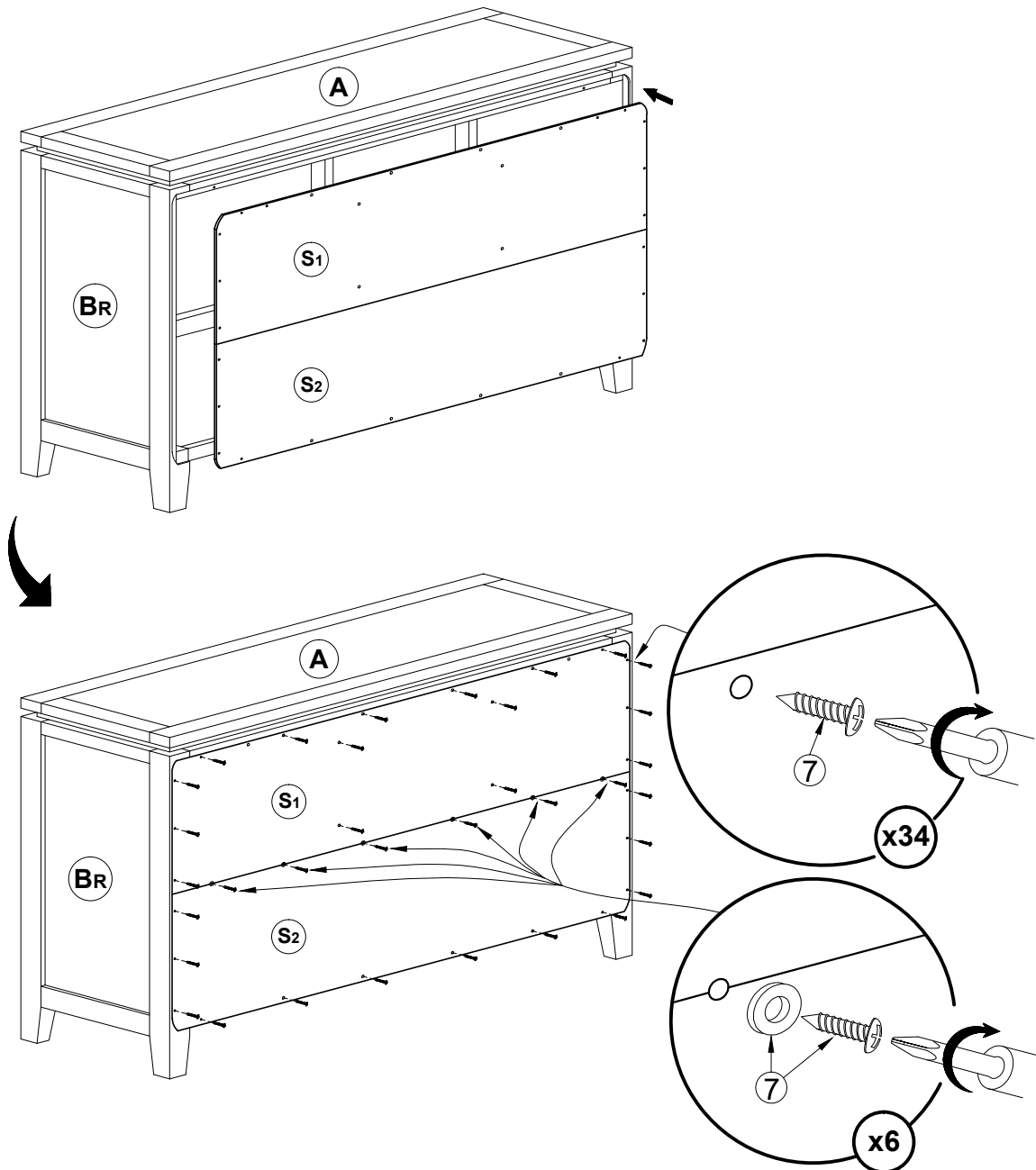


BANAK

AVELIN

AL-0003B-A-2

7

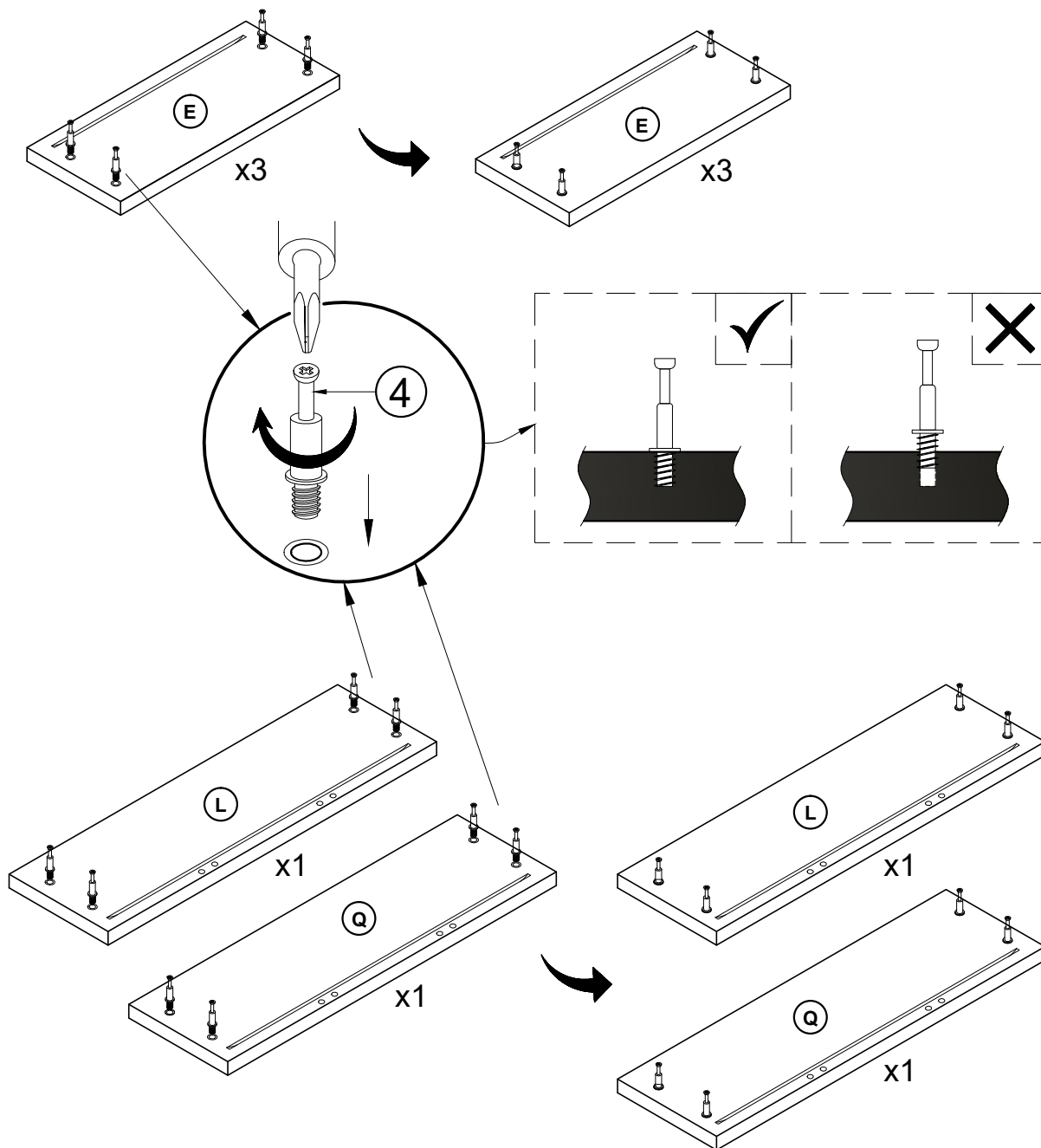


BANAK

AVELIN

AL-0003B-A-2

8

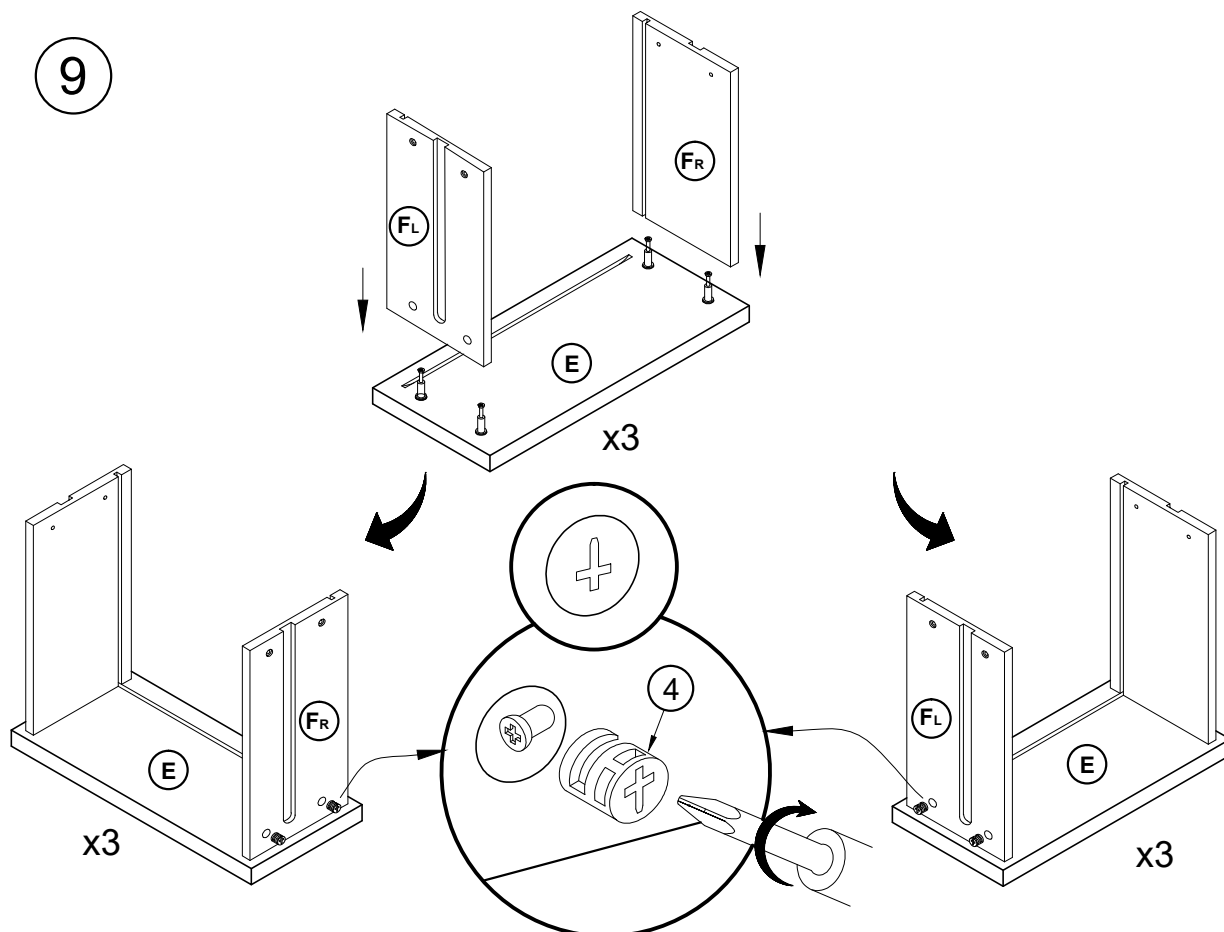


BANAK

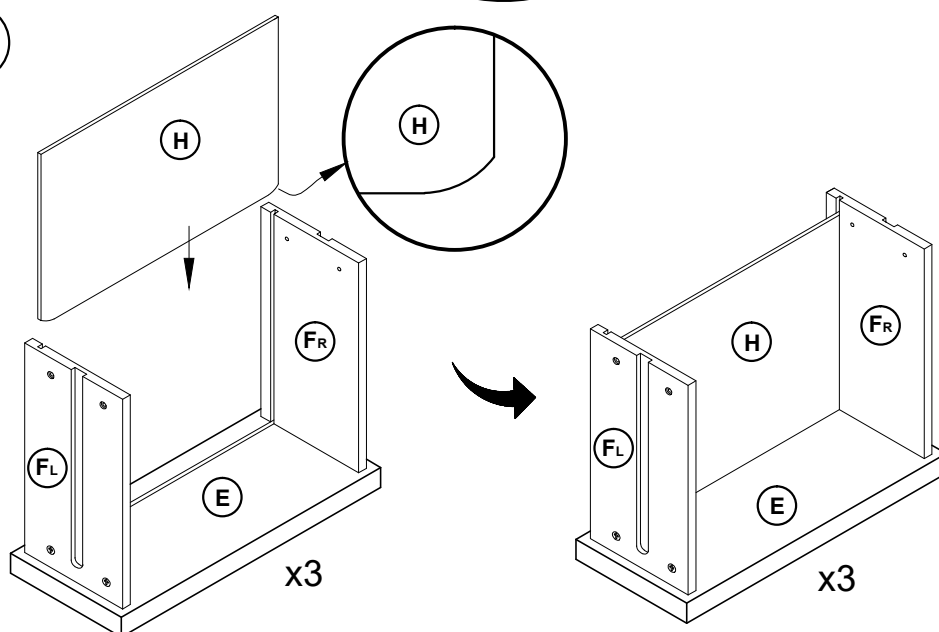
AVELIN

AL-0003B-A-2

9



10

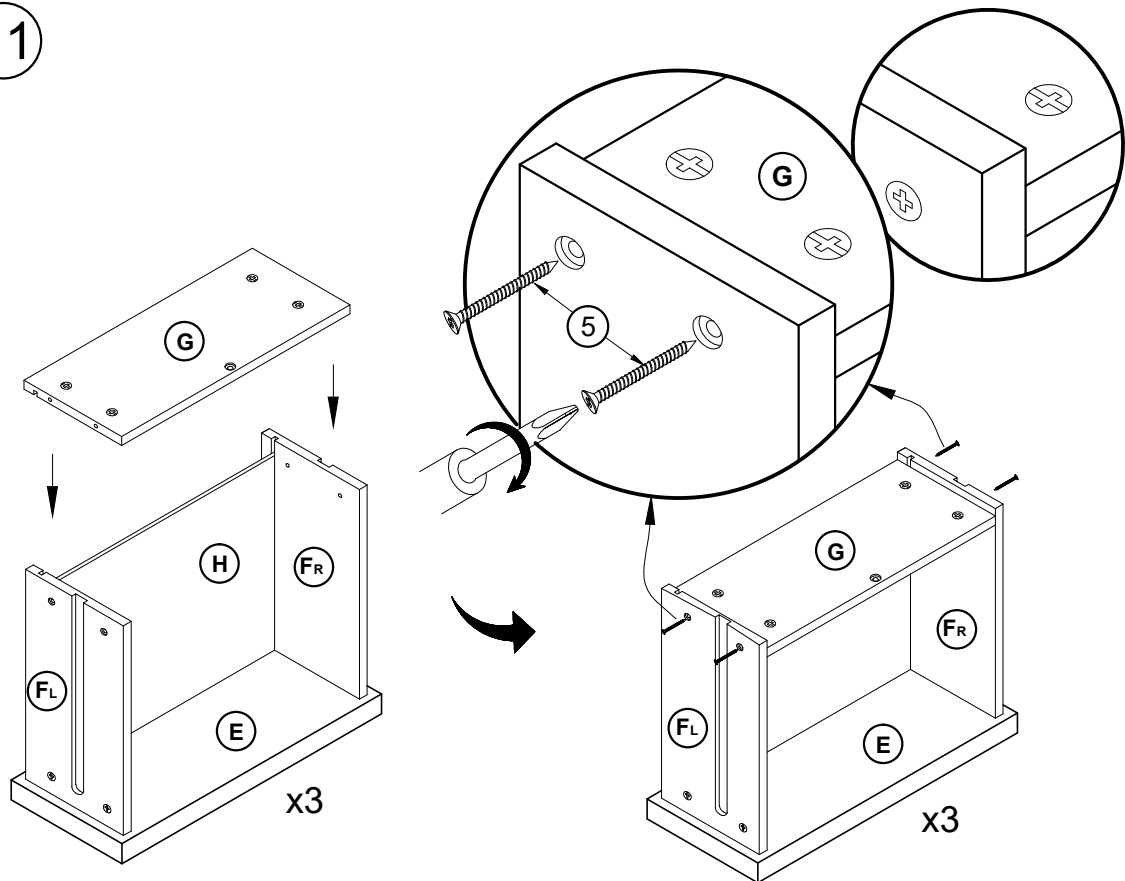


BANAK

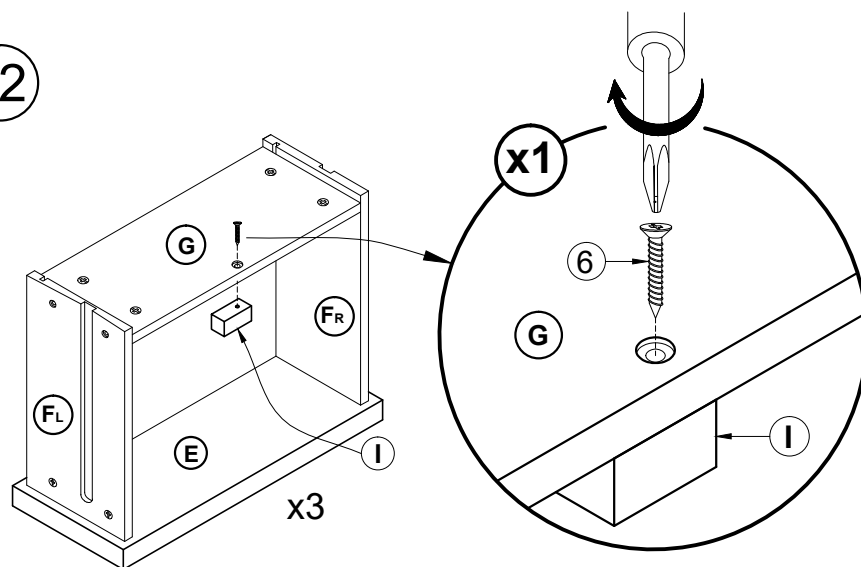
AVELIN

AL-0003B-A-2

11



12

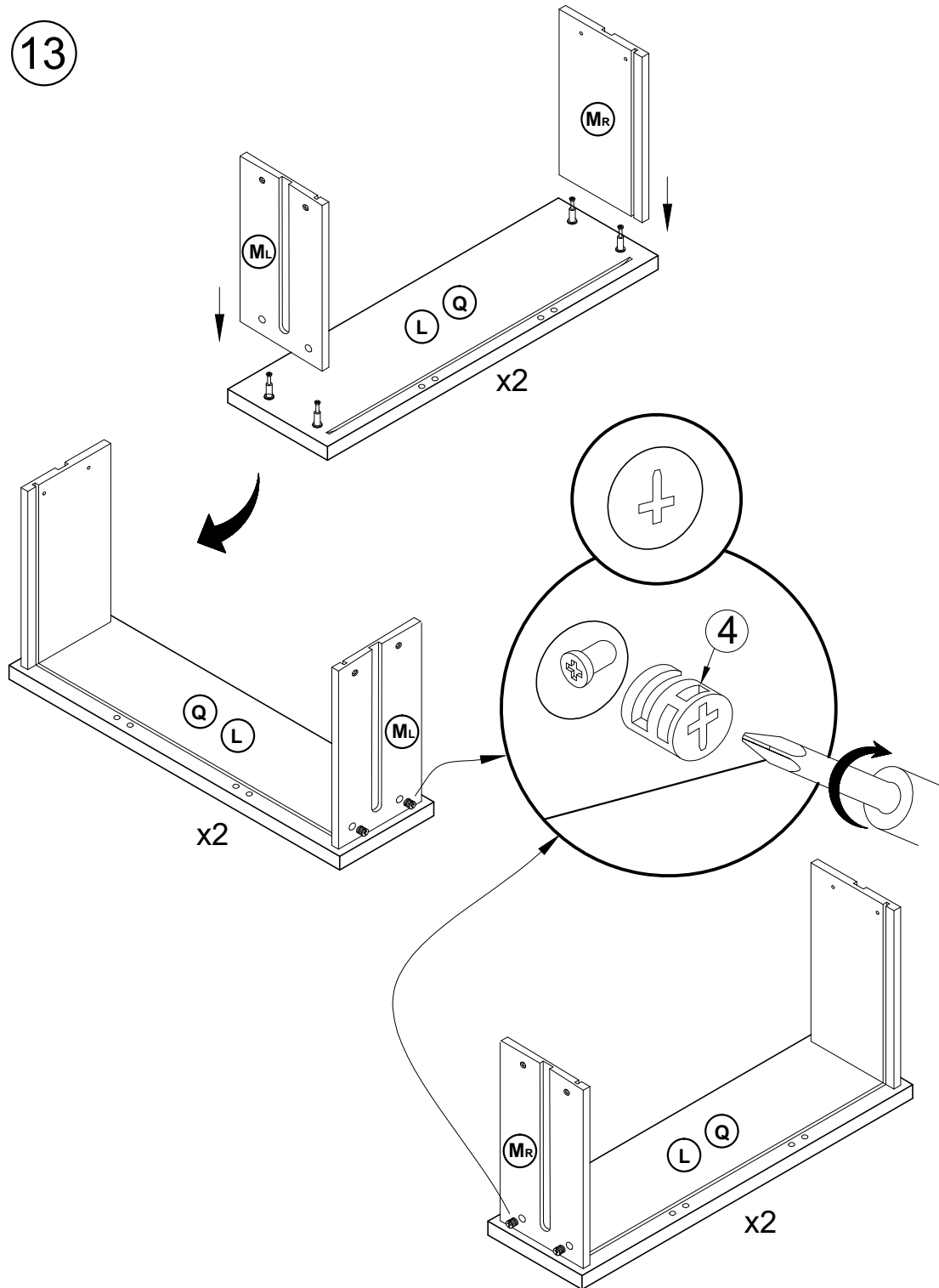


BANAK

AVELIN

AL-0003B-A-2

13

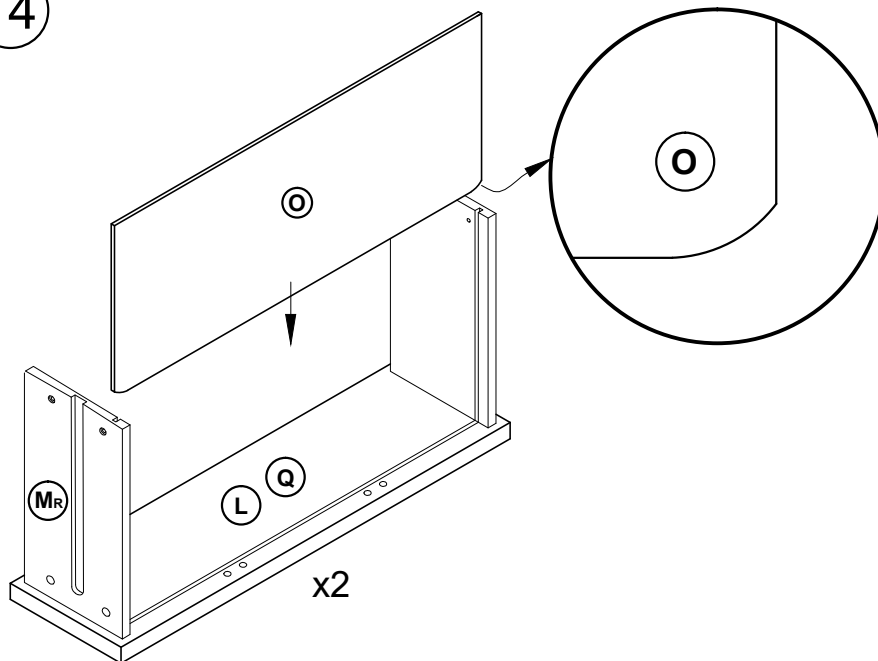


BANAK

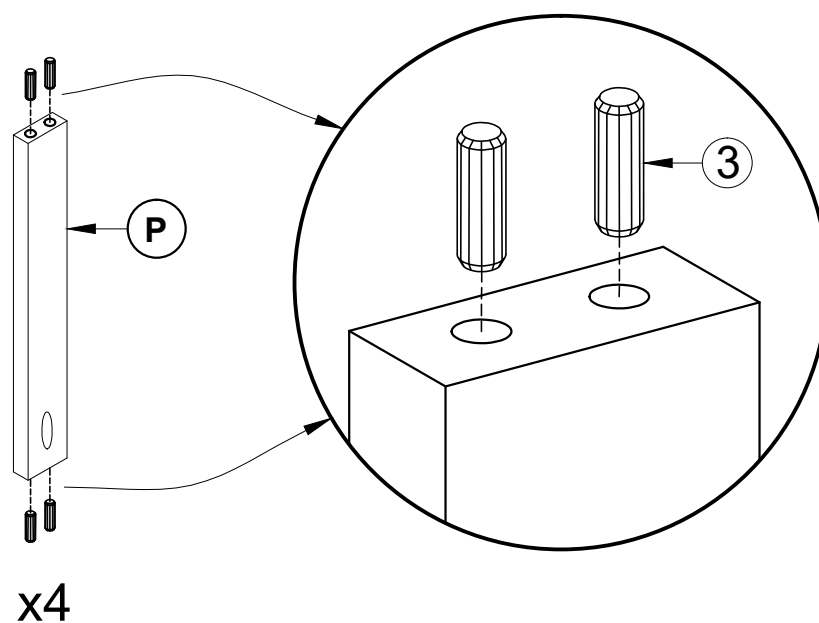
AVELIN

AL-0003B-A-2

14



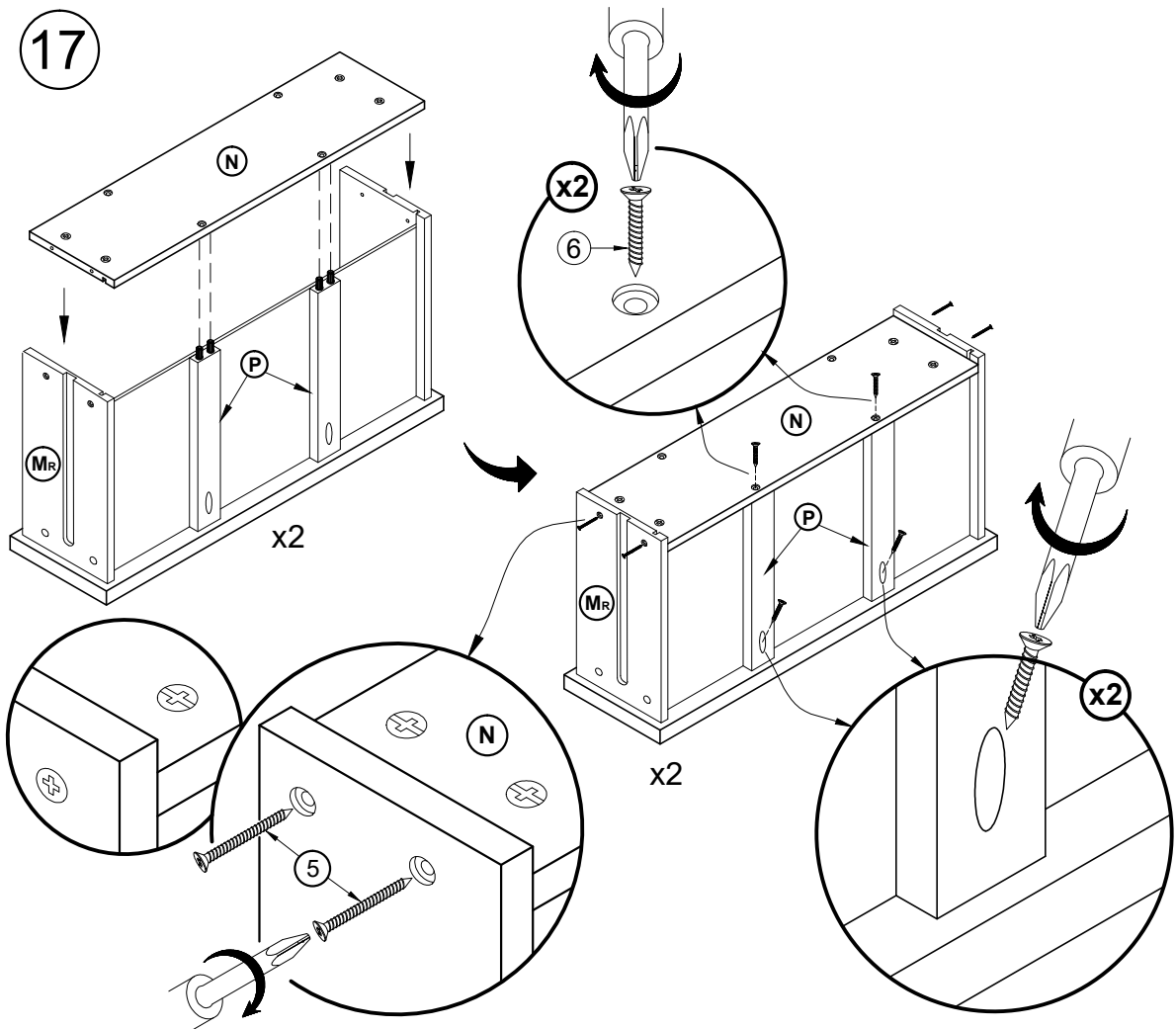
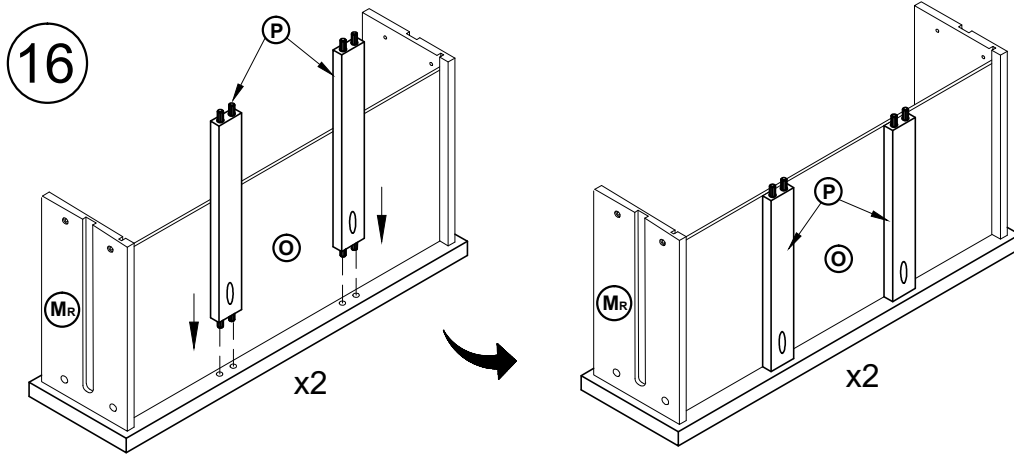
15



BANAK

AVELIN

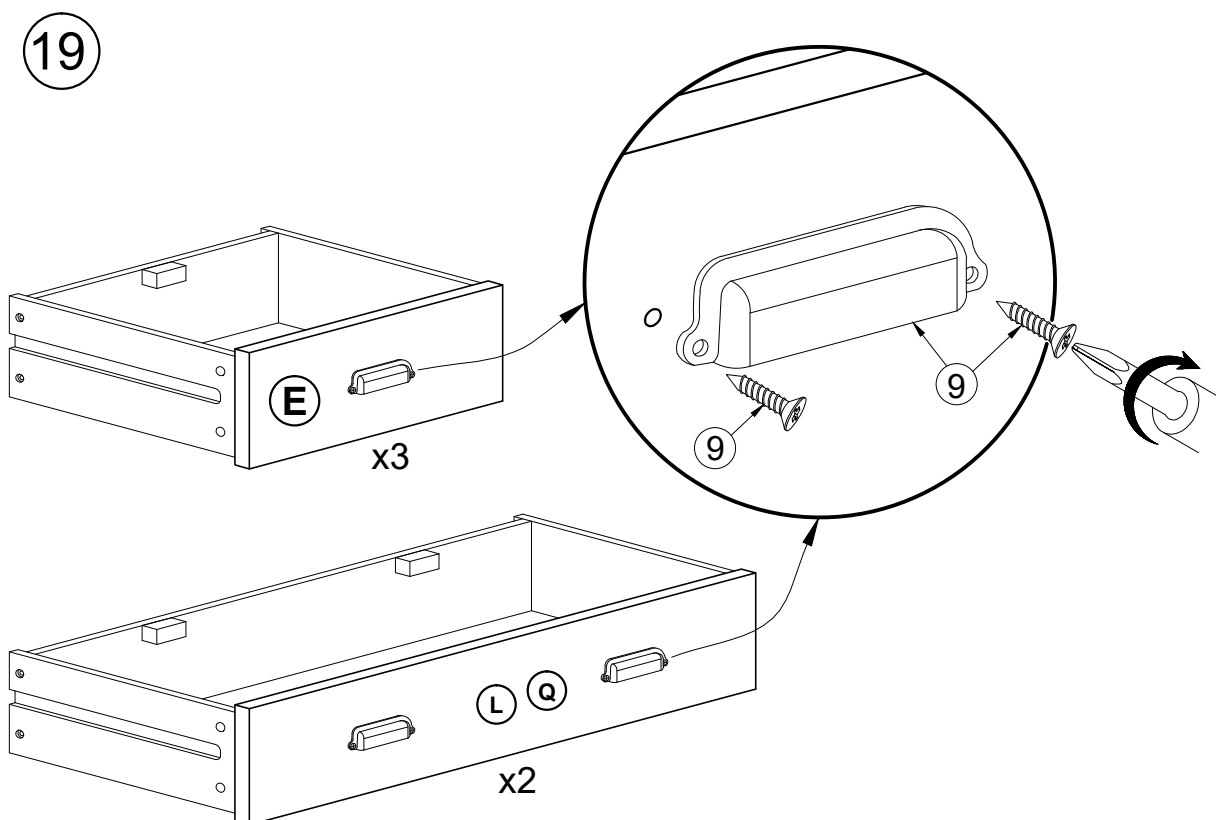
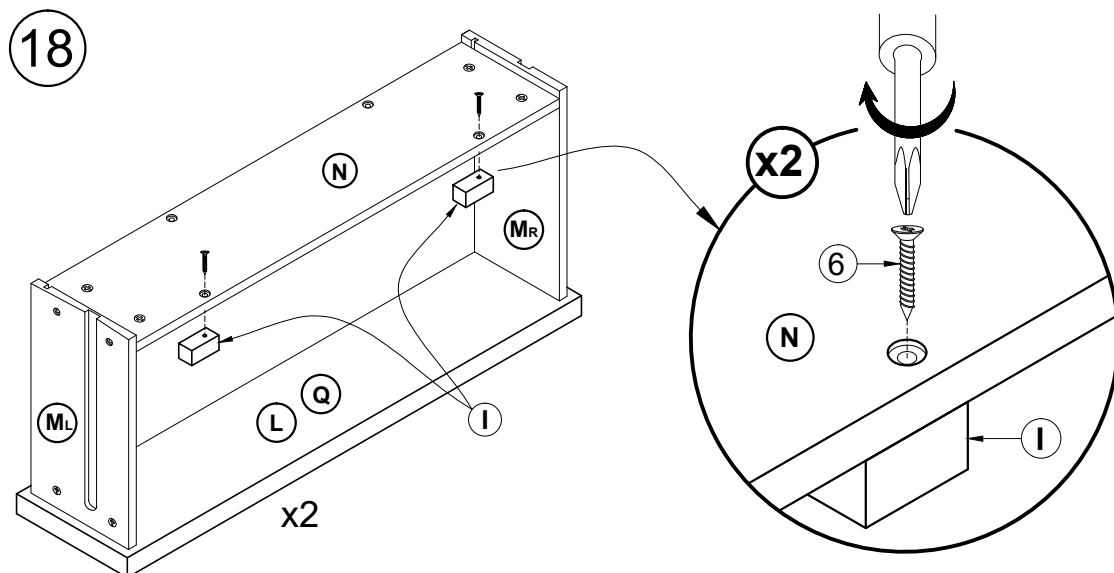
AL-0003B-A-2



BANAK

AVELIN

AL-0003B-A-2

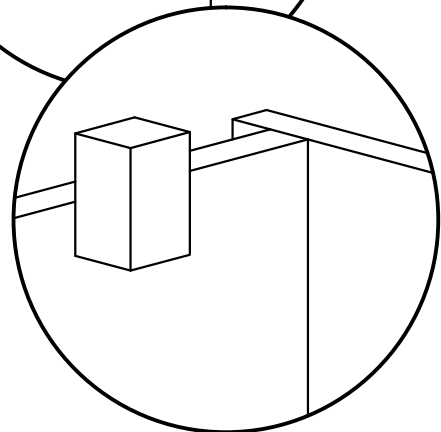
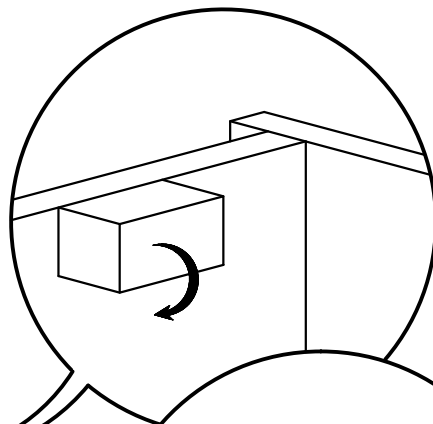
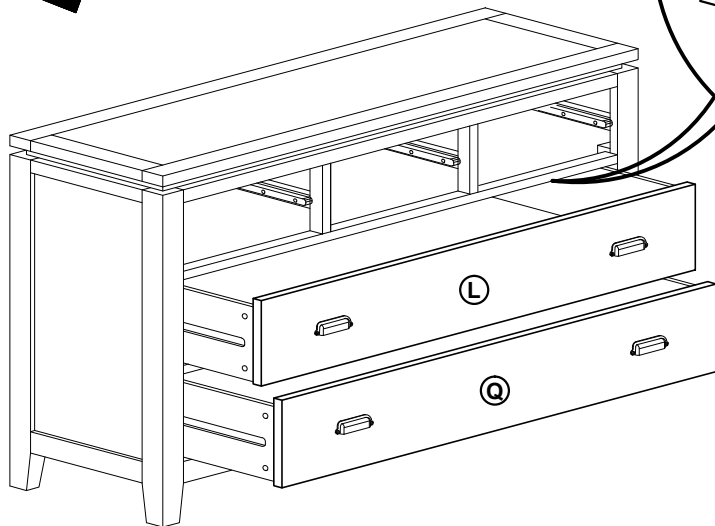
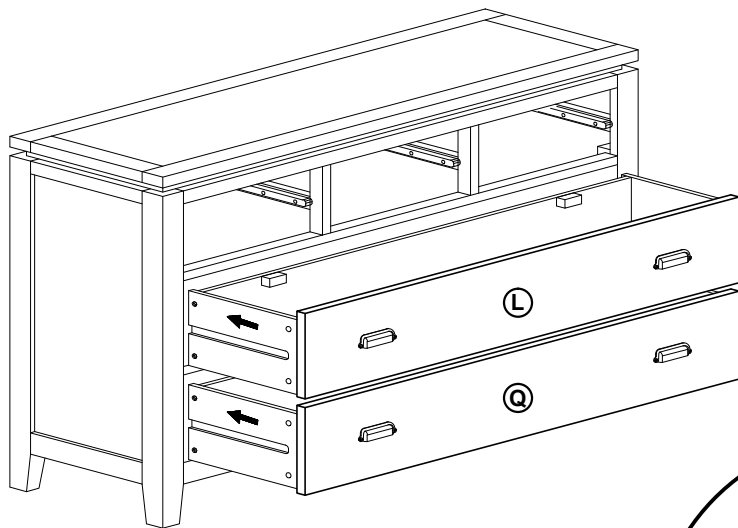


BANAK

AVELIN

AL-0003B-A-2

20



BANAK

AVELIN

AL-0003B-A-2

21

