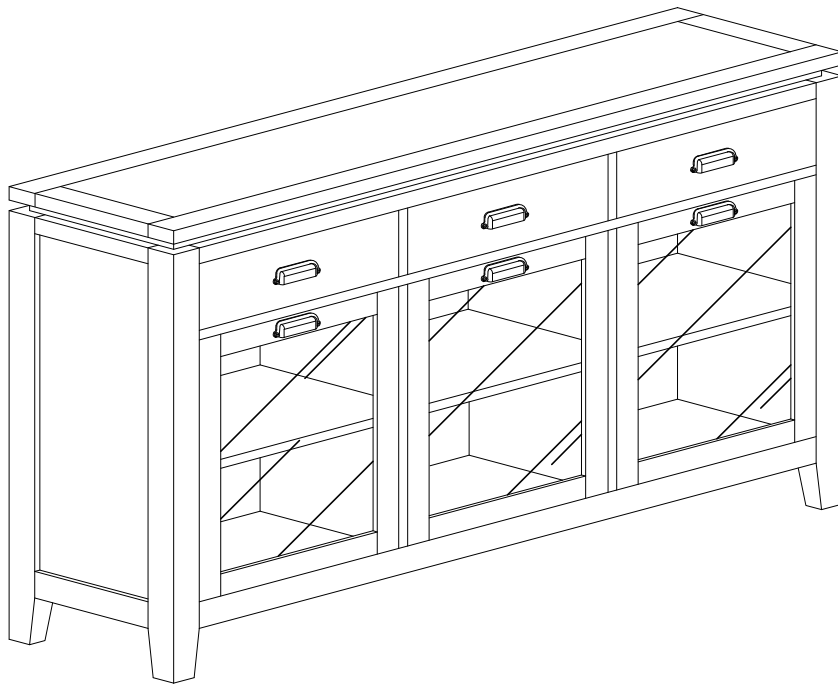


# BANAK

# AVELIN

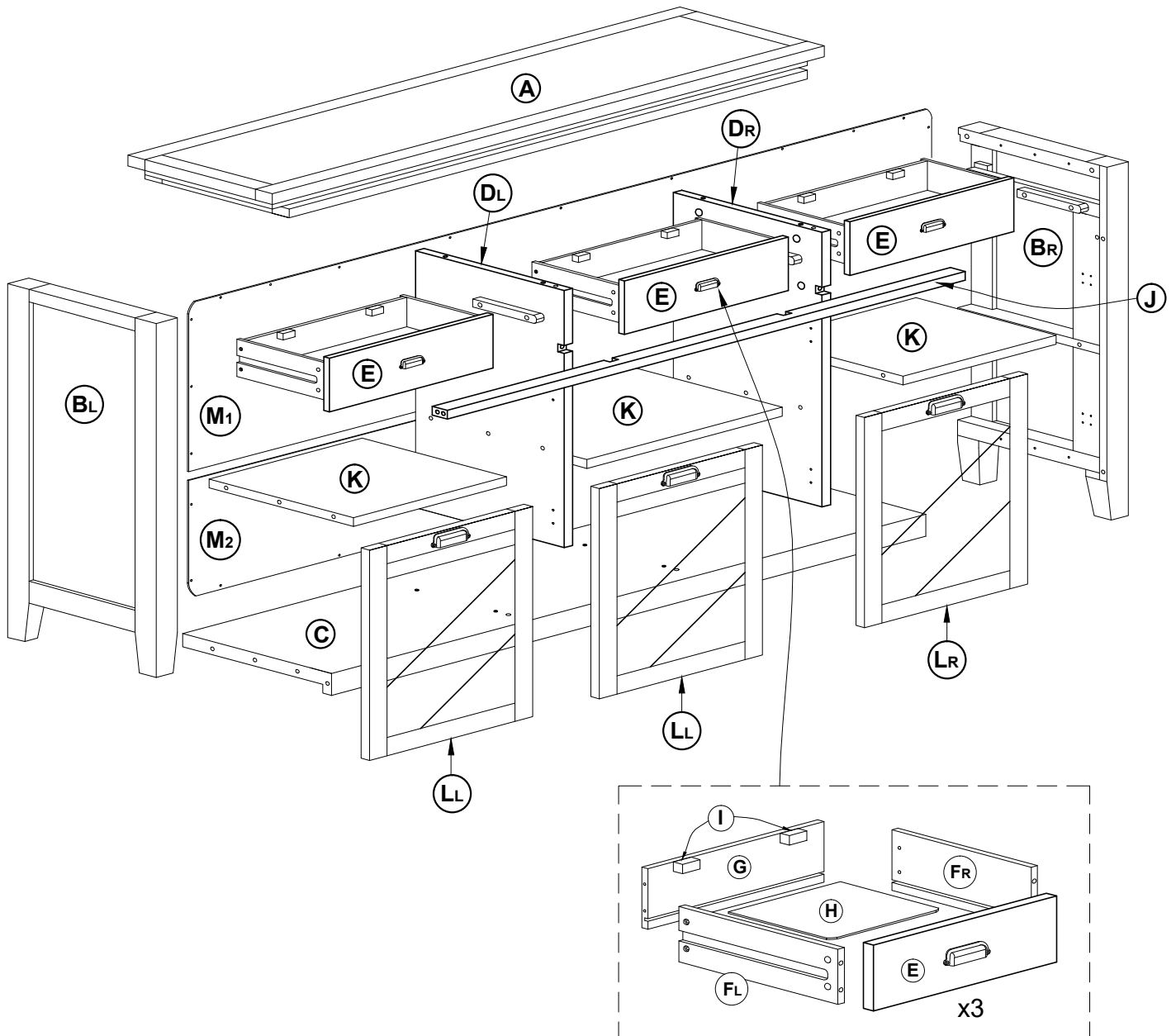
AL-0007B-A-2



# BANAK

# AVELIN

AL-0007B-A-2

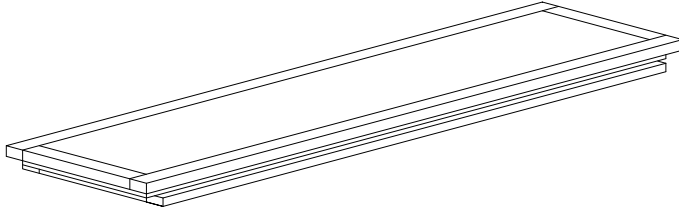


# BANAK

# AVELIN

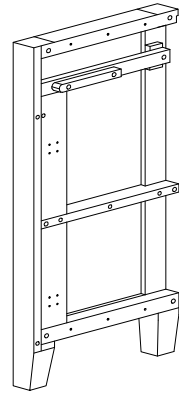
AL-0007B-A-2

**A**



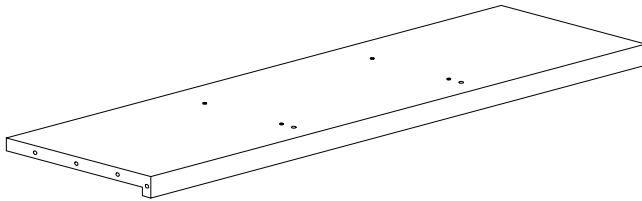
x1

**BL**



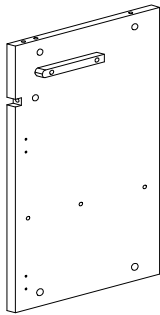
x1

**C**



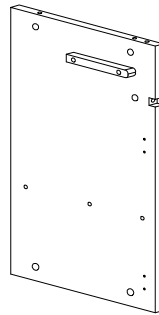
x1

**DL**



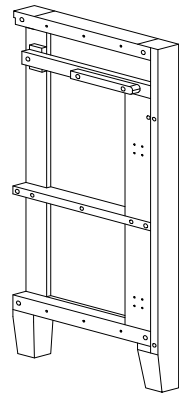
x1

**DR**



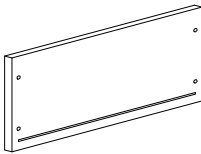
x1

**BR**



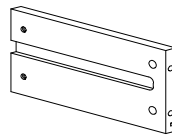
x1

**E**



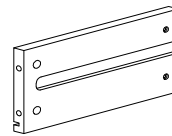
x3

**FL**



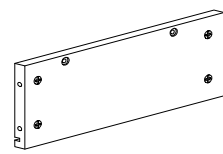
x3

**FR**



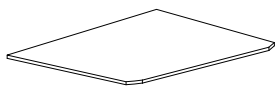
x3

**G**



x3

**H**



x3

**I**



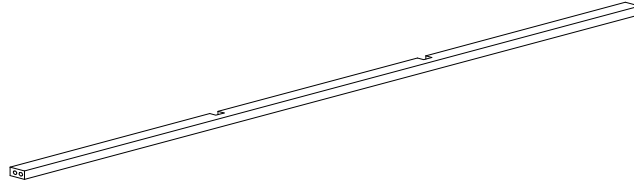
x6

# BANAK

# AVELIN

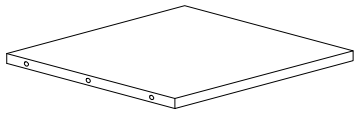
AL-0007B-A-2

J



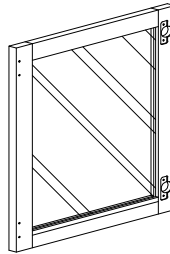
x1

K



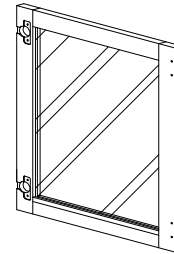
x3

LL



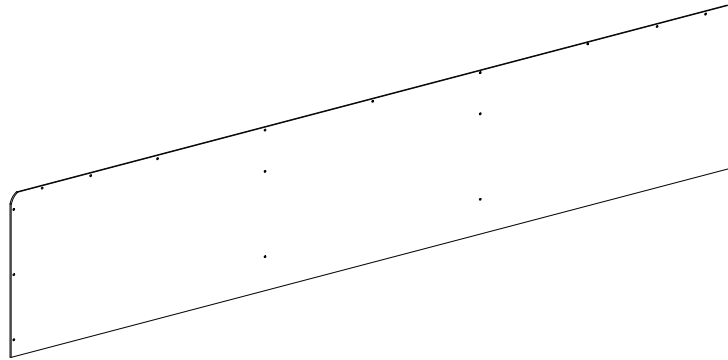
x2

LR



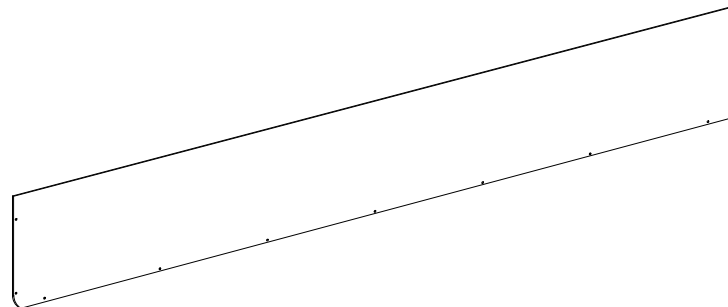
x1

M1



x1

M2



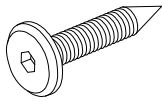
x1

# BANAK

# AVELIN

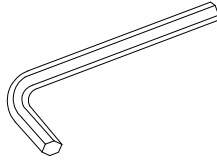
AL-0007B-A-2

1



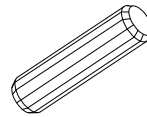
x12  
M6x30

2



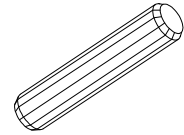
x1  
4mm

3



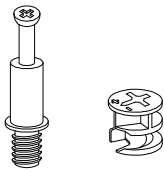
x16  
Ø8x30

4



x6  
Ø8x40

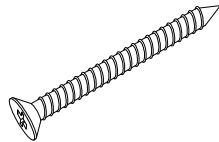
5



x12  
Ø6

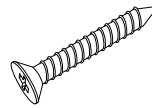
x12  
Ø12x10

6



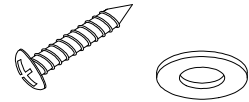
x12  
M4x40

7



x6  
M4x25

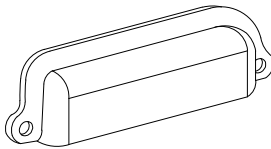
8



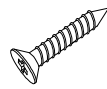
x46  
M3.5x15

x6  
Ø4/Ø8

9

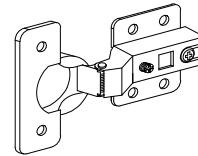


x6  
HANDLE

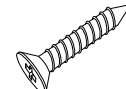


x12  
M3x15

10

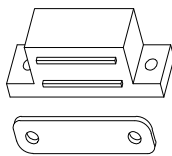


x6  
Ø26



x36  
M4x15

11

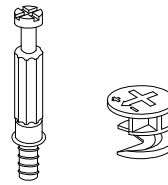


x6



x12  
M3x15

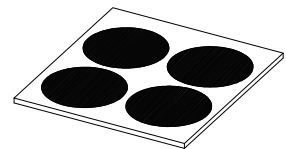
12



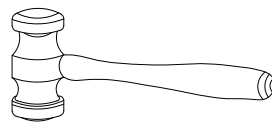
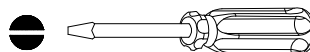
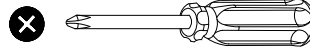
x10  
Ø7

x10  
Ø15

13



x4  
Ø22

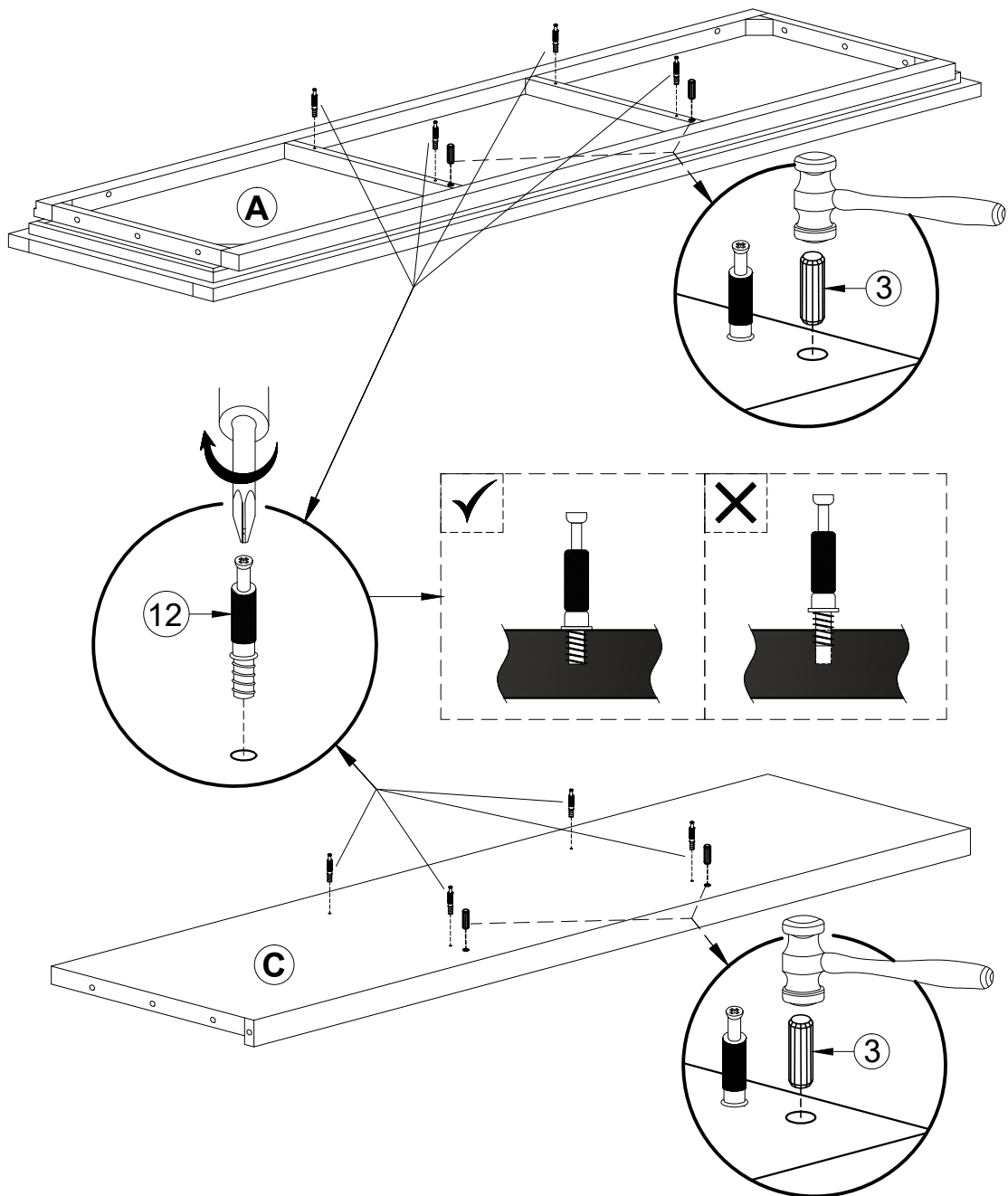


# BANAK

# AVELIN

AL-0007B-A-2

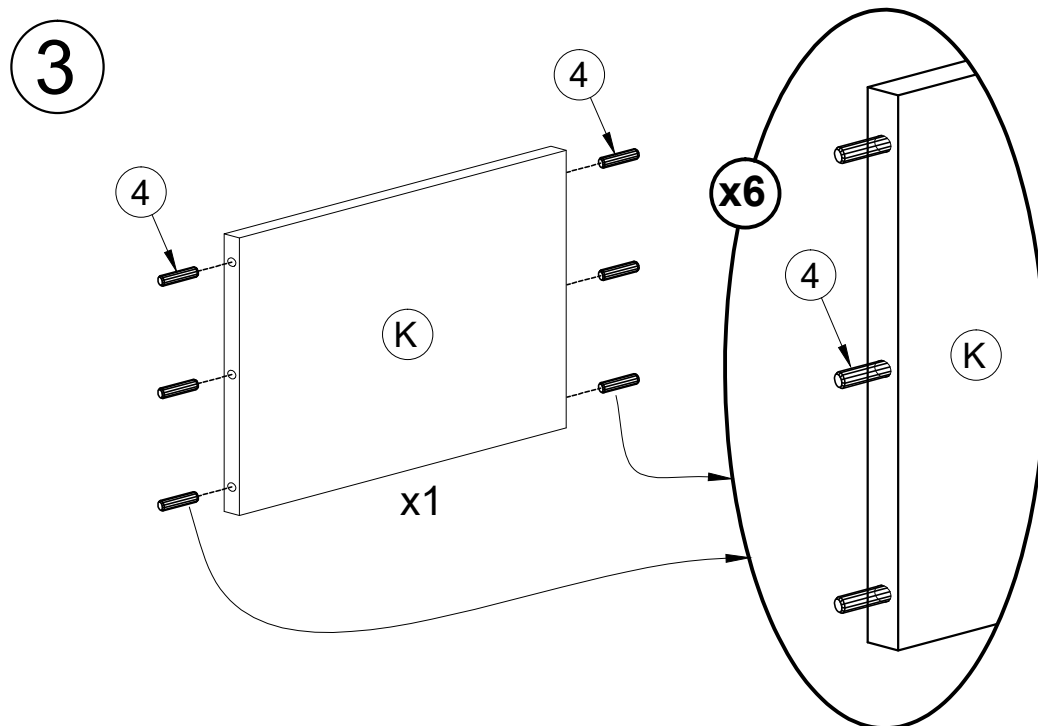
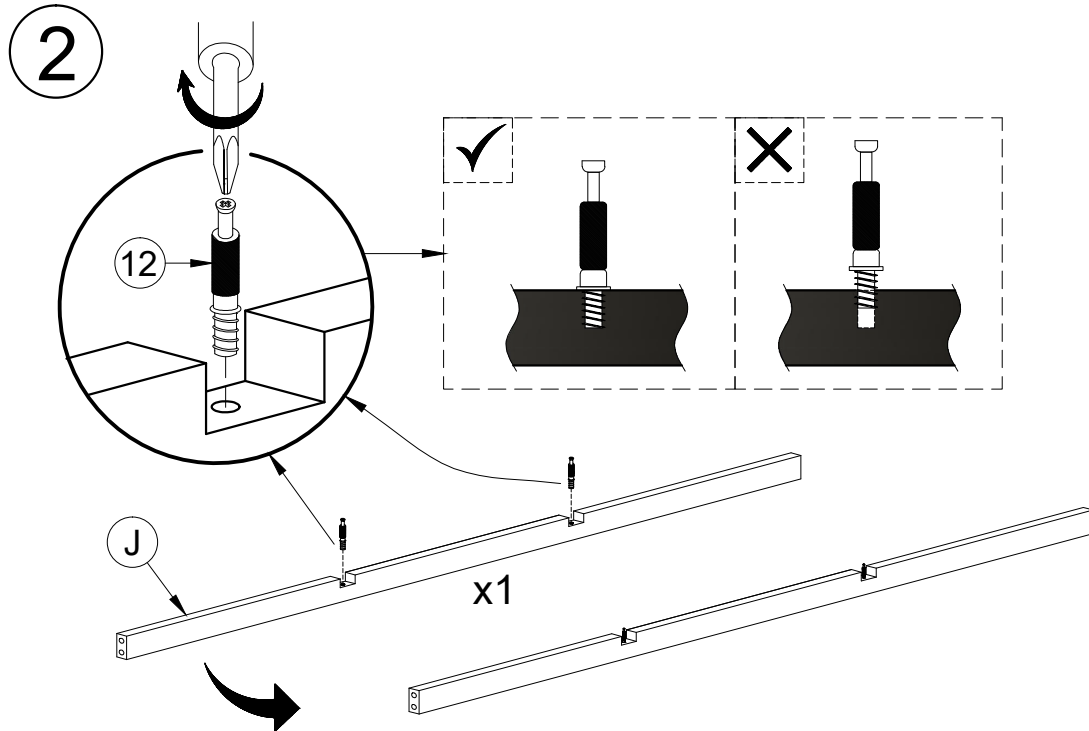
1



# BANAK

# AVELIN

AL-0007B-A-2

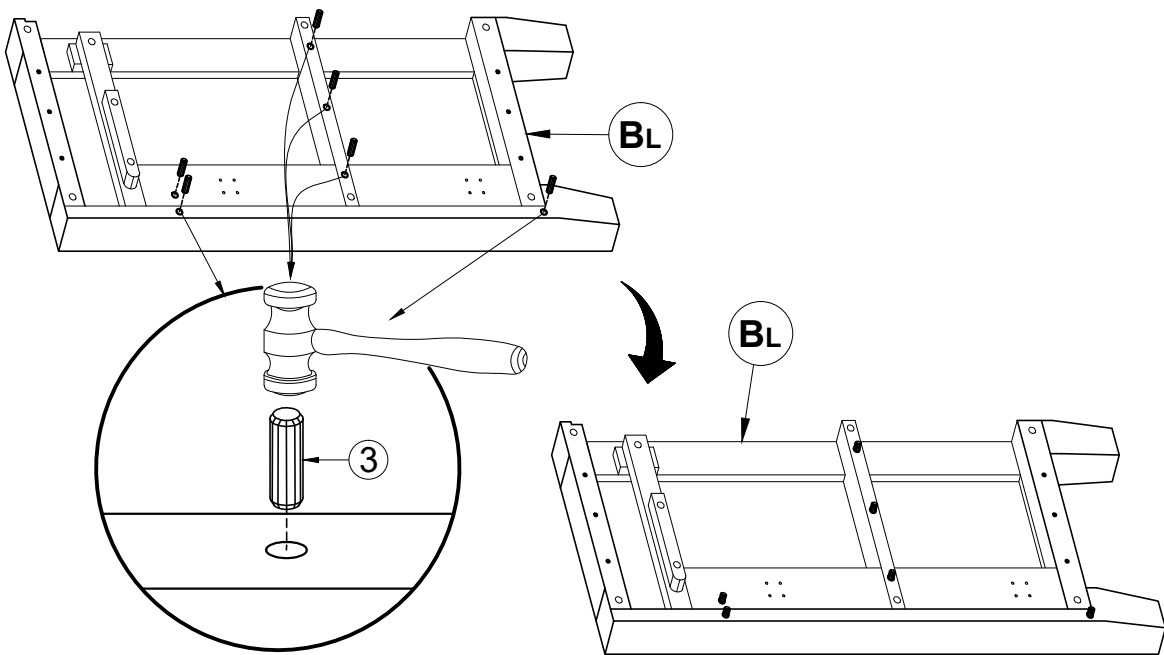
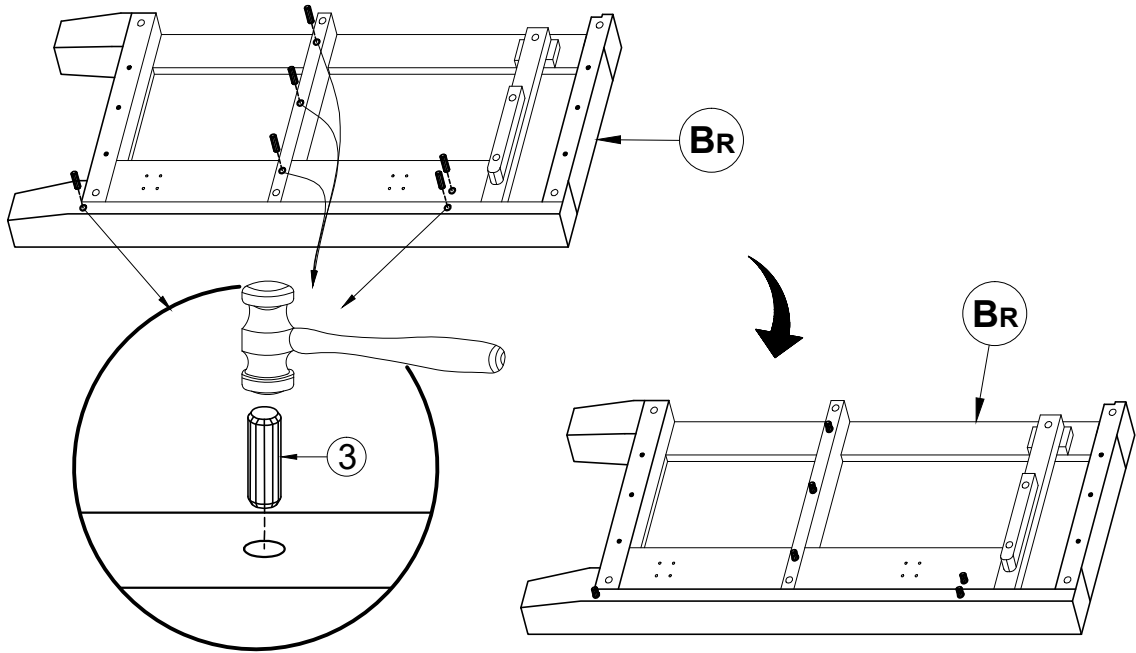


# BANAK

# AVELIN

AL-0007B-A-2

4



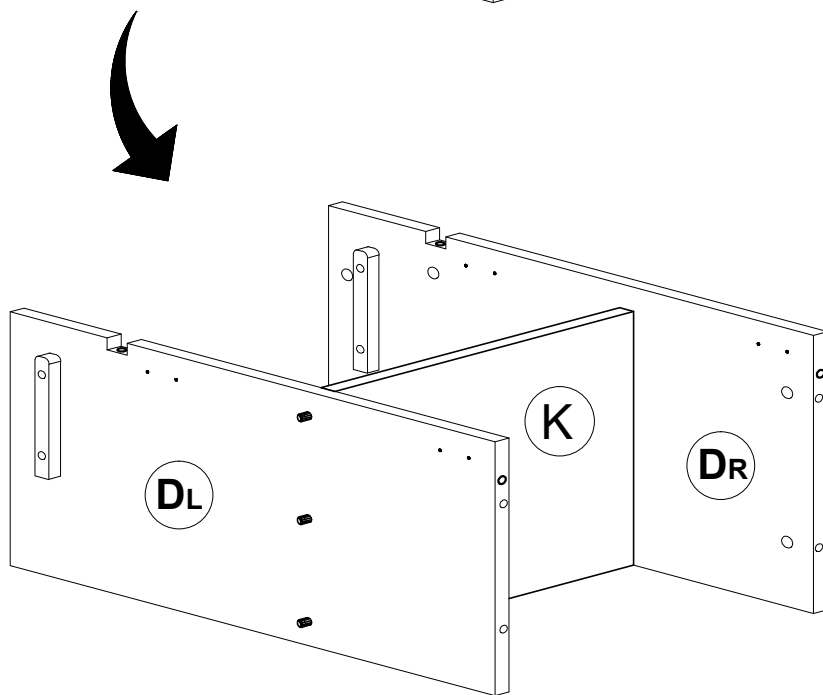
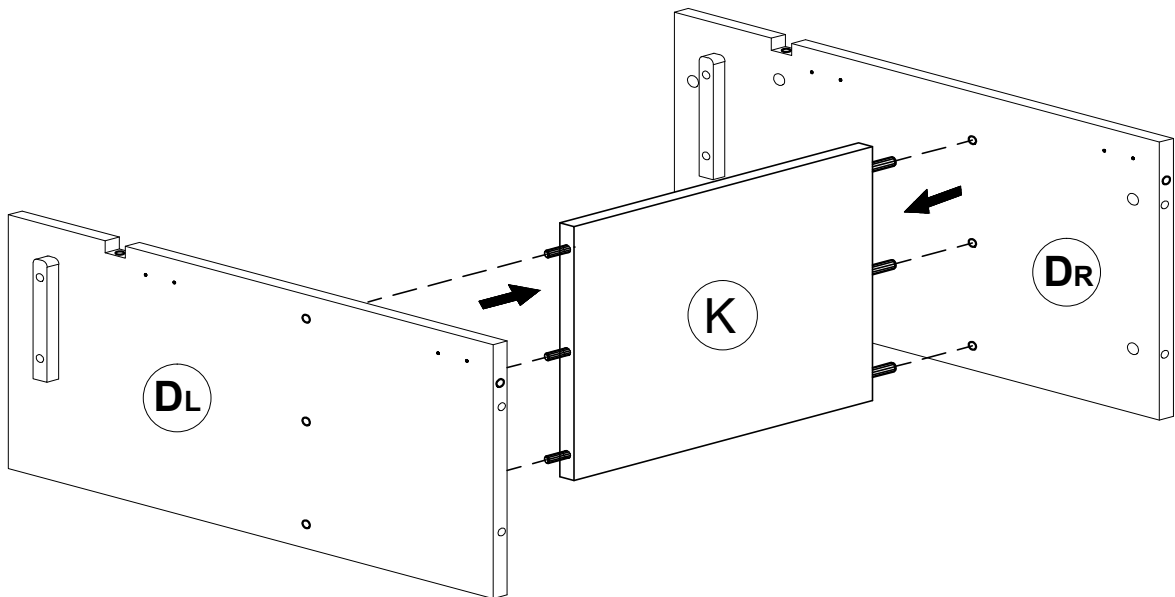


# BANAK

# AVELIN

AL-0007B-A-2

5

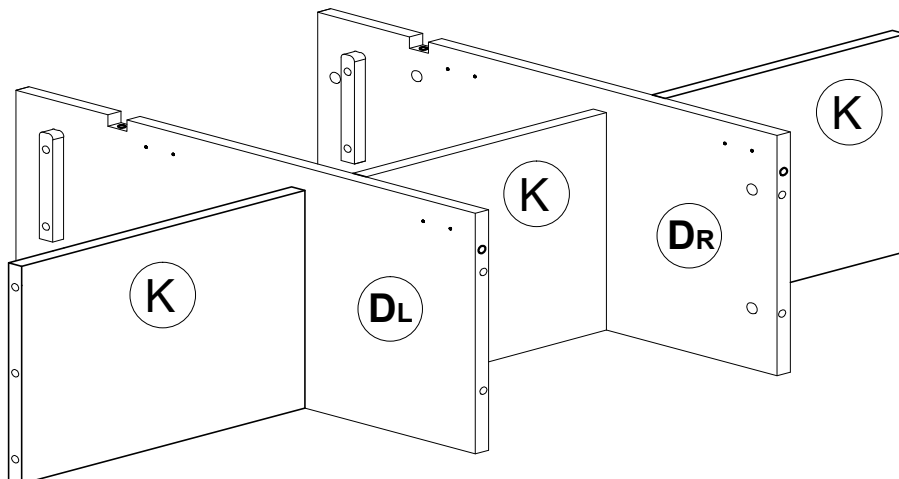
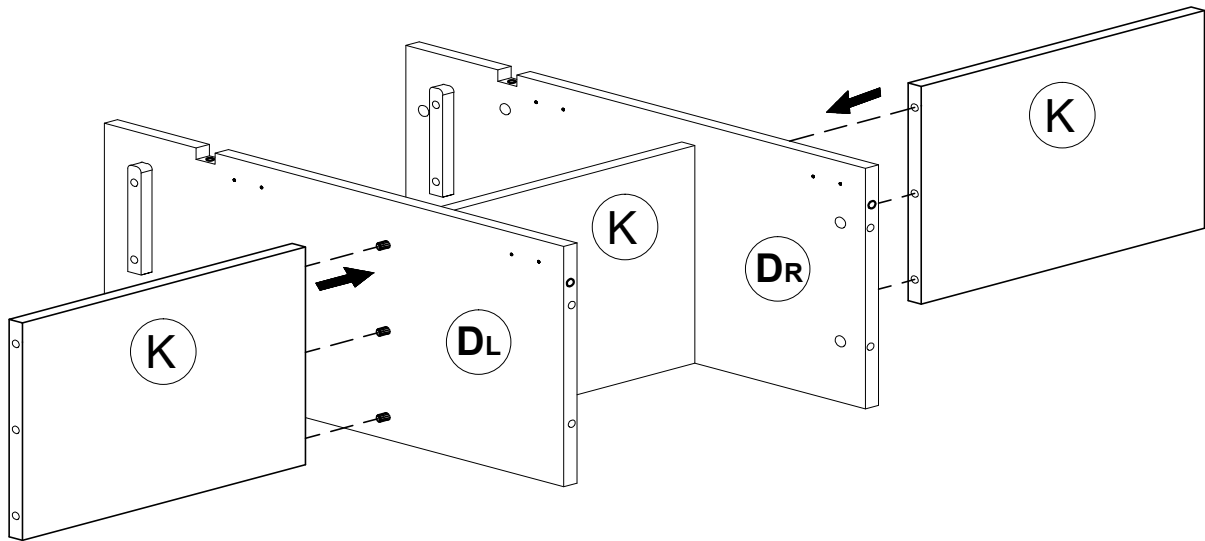


# BANAK

# AVELIN

AL-0007B-A-2

6

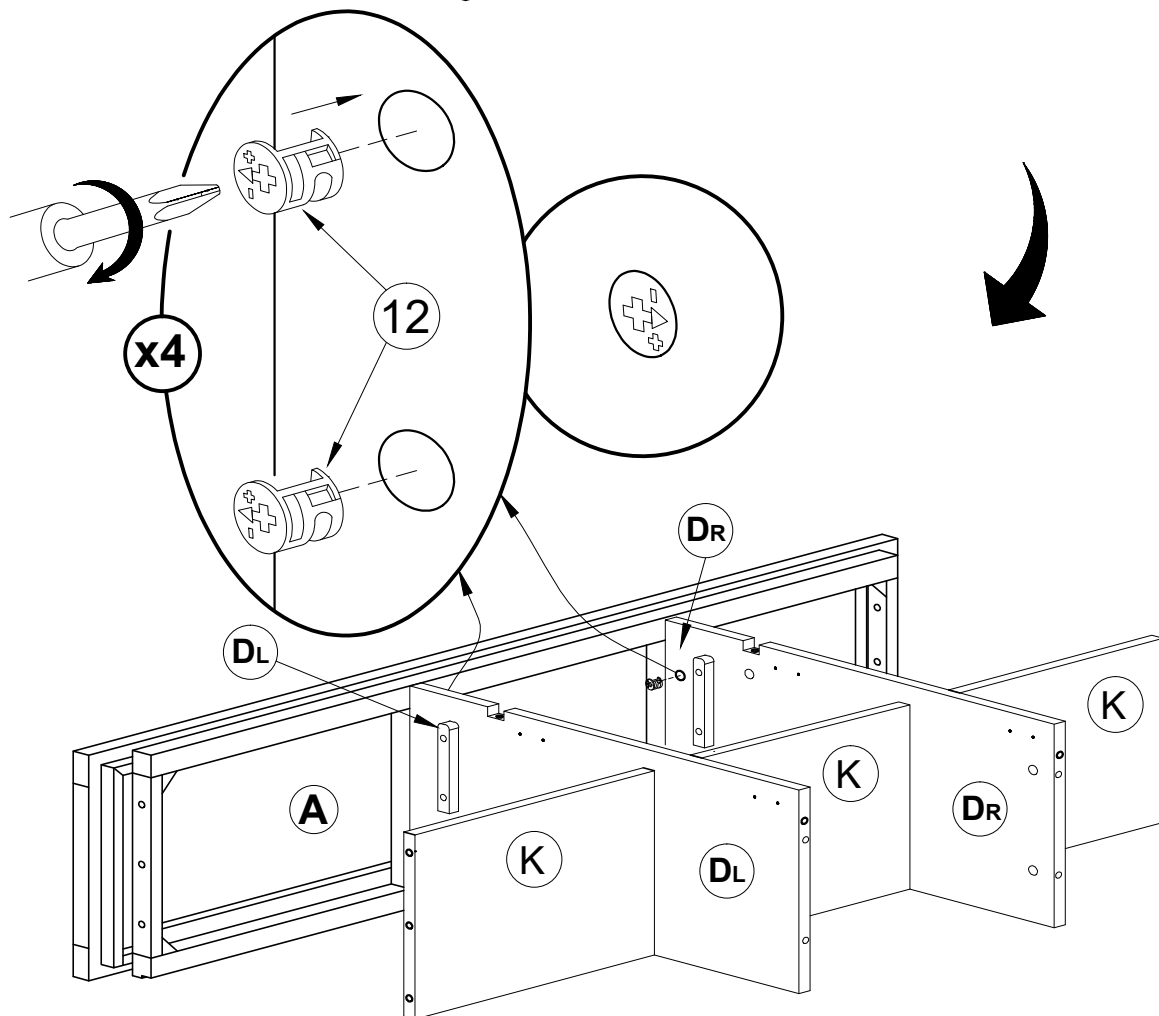
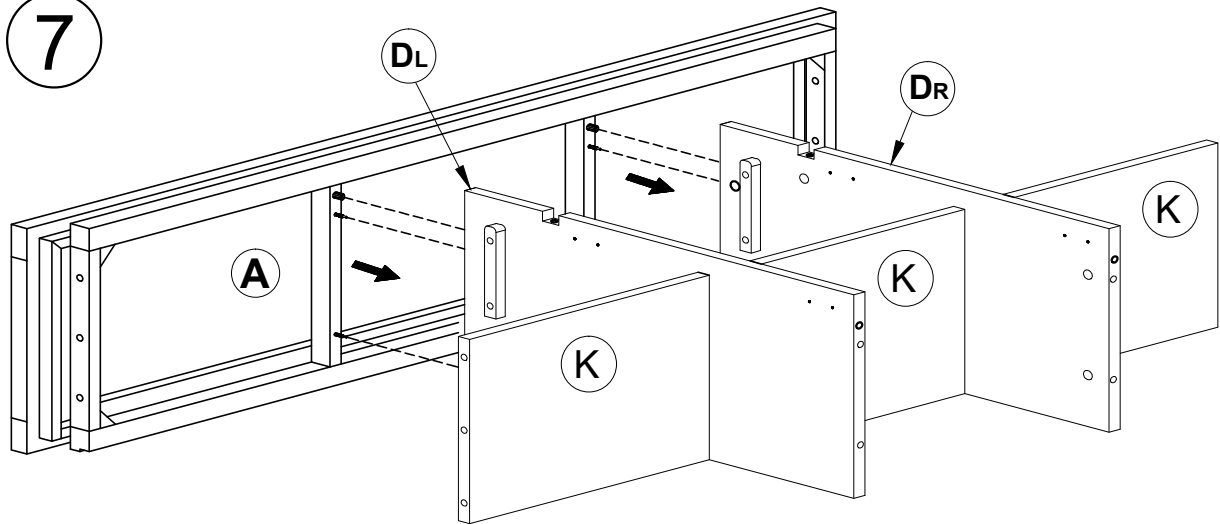


# BANAK

# AVELIN

AL-0007B-A-2

7

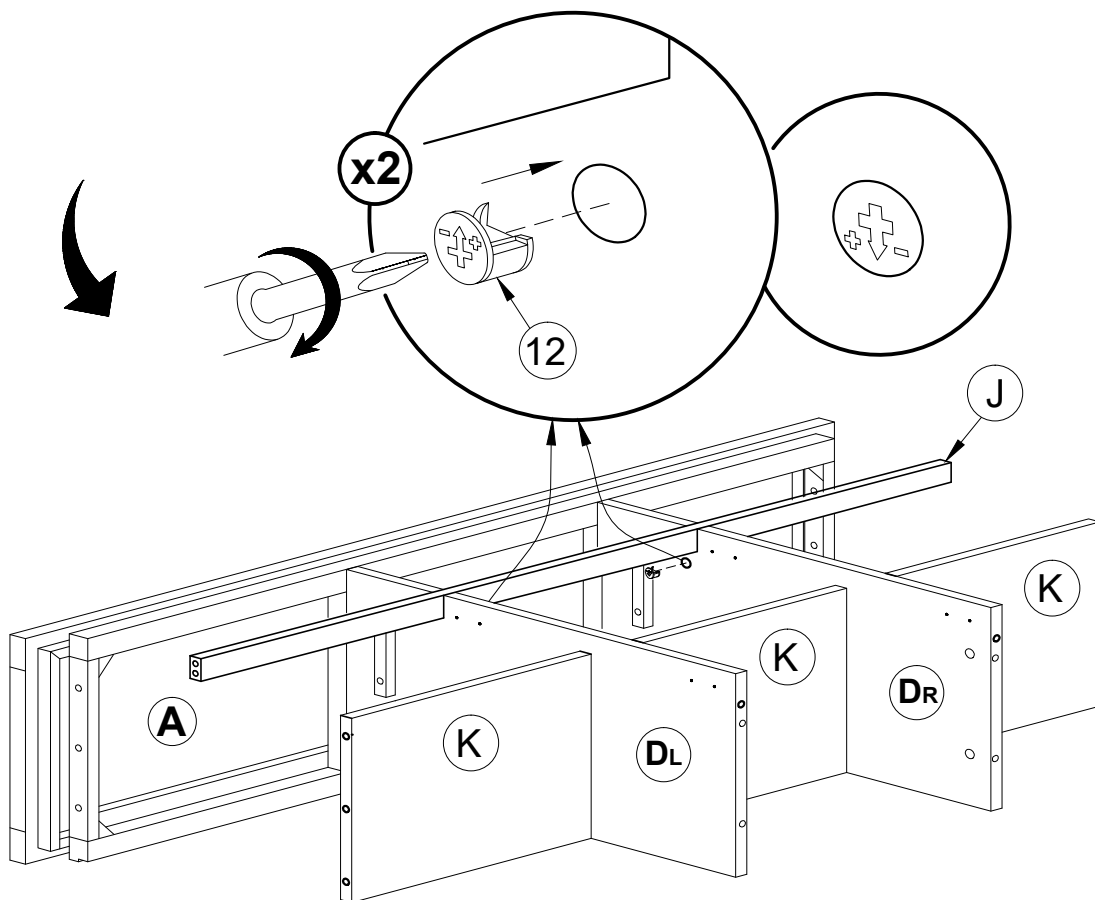
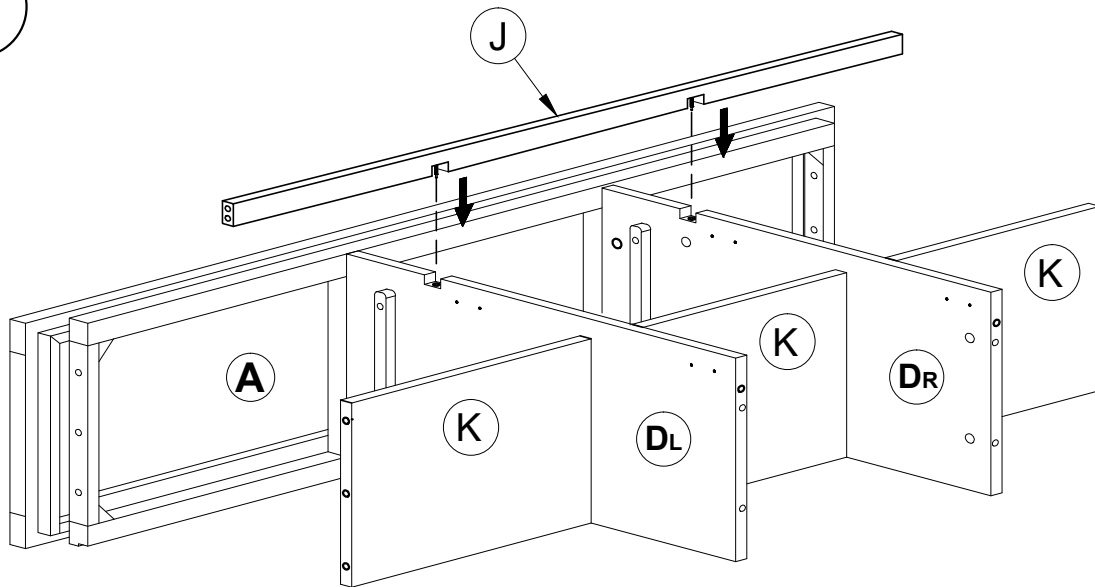


# BANAK

# AVELIN

AL-0007B-A-2

8

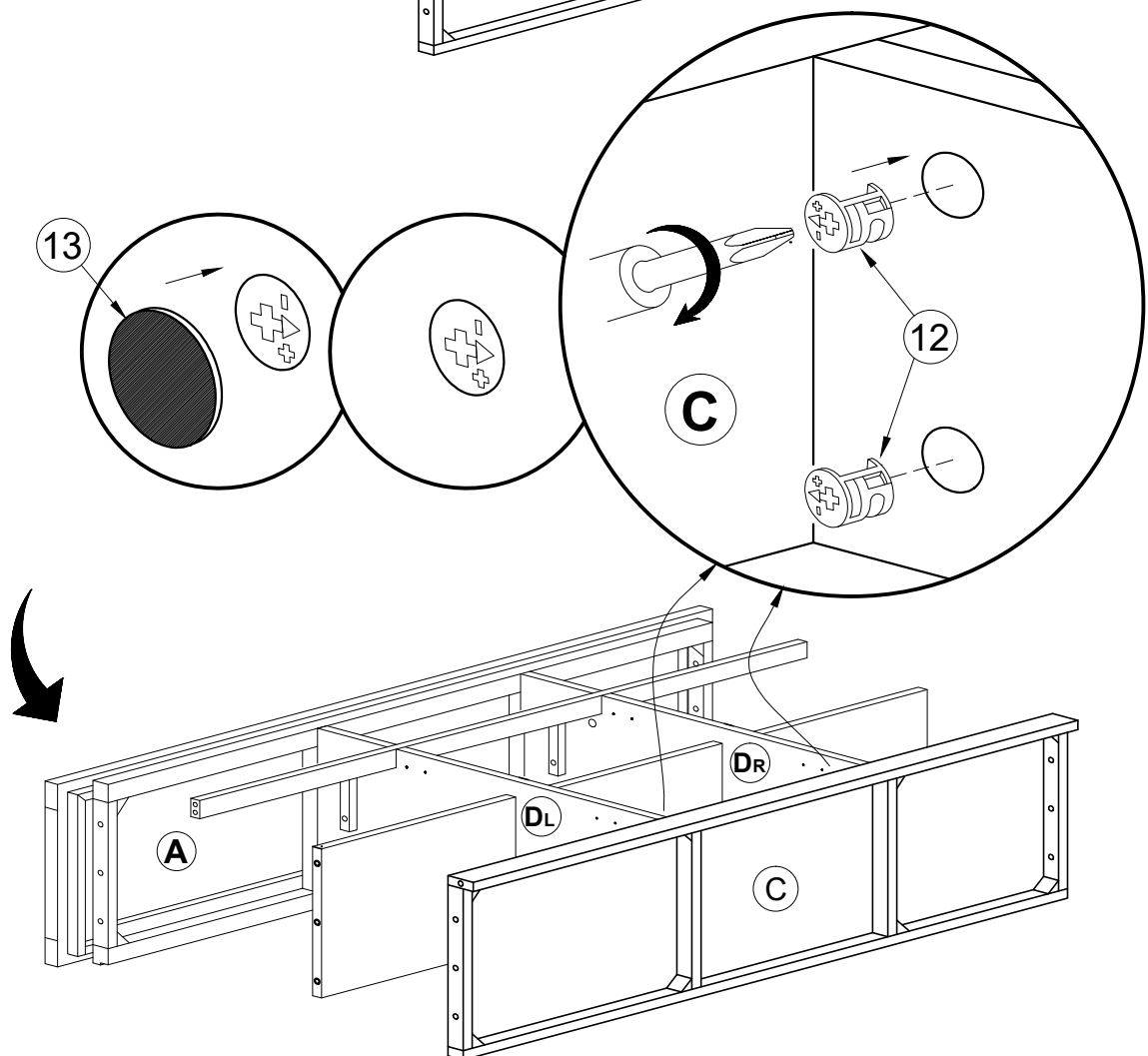
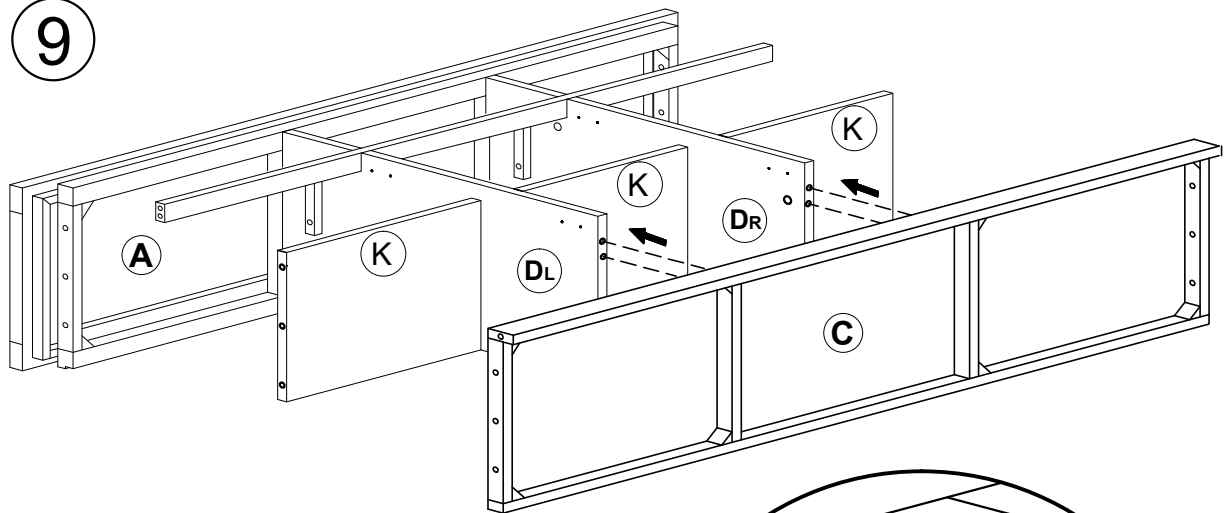


# BANAK

# AVELIN

AL-0007B-A-2

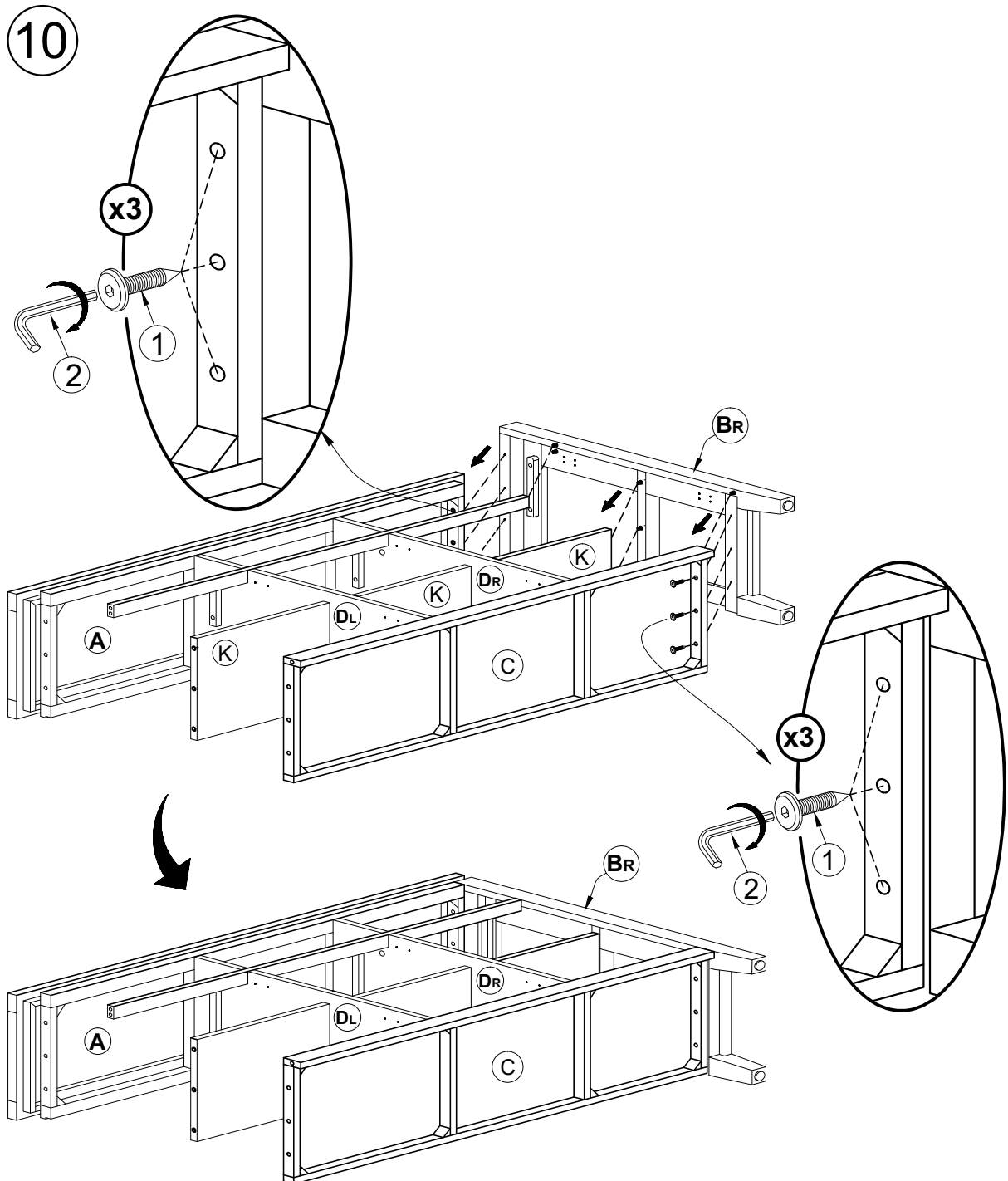
9



# BANAK

# AVELIN

AL-0007B-A-2

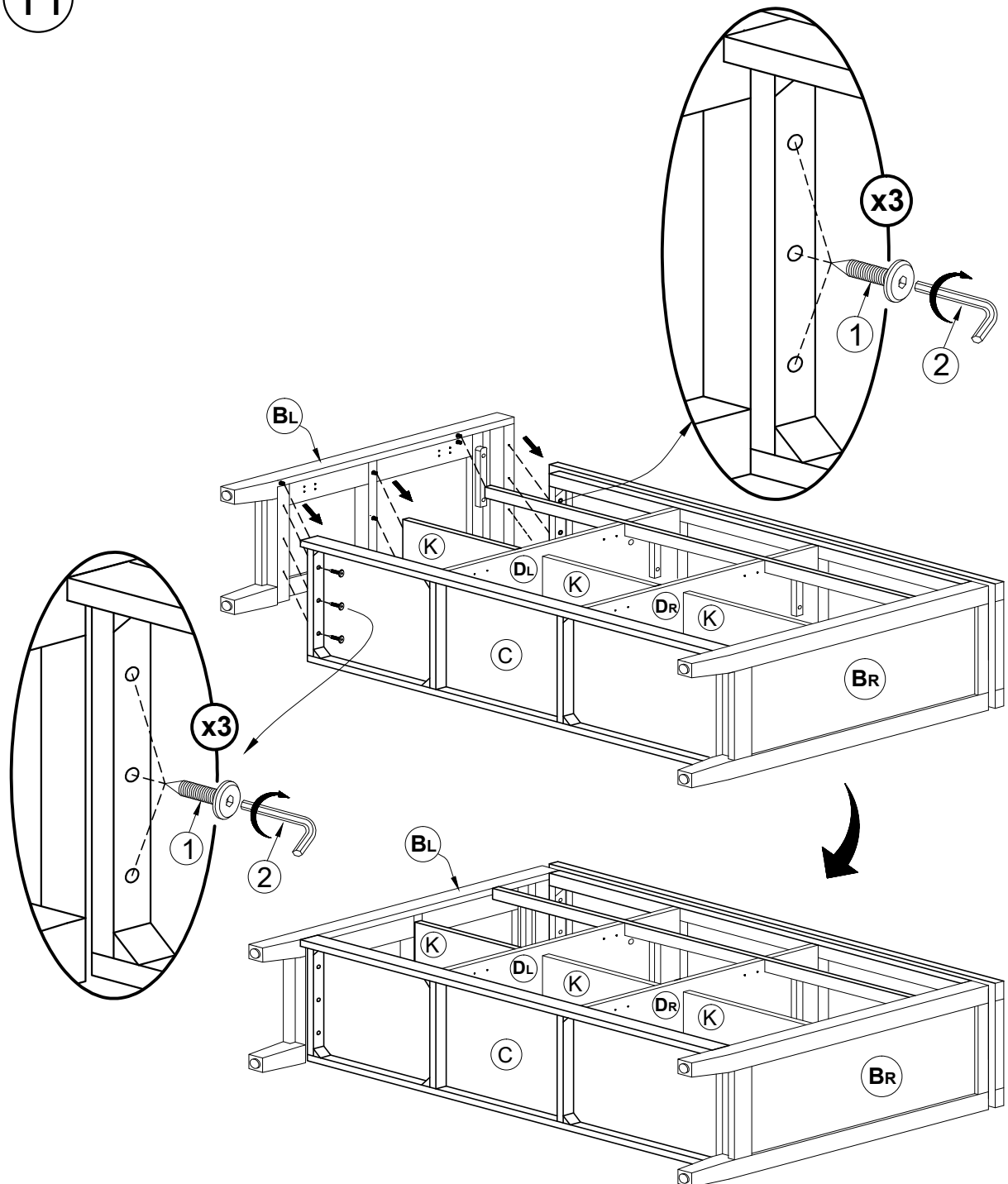


# BANAK

# AVELIN

AL-0007B-A-2

11

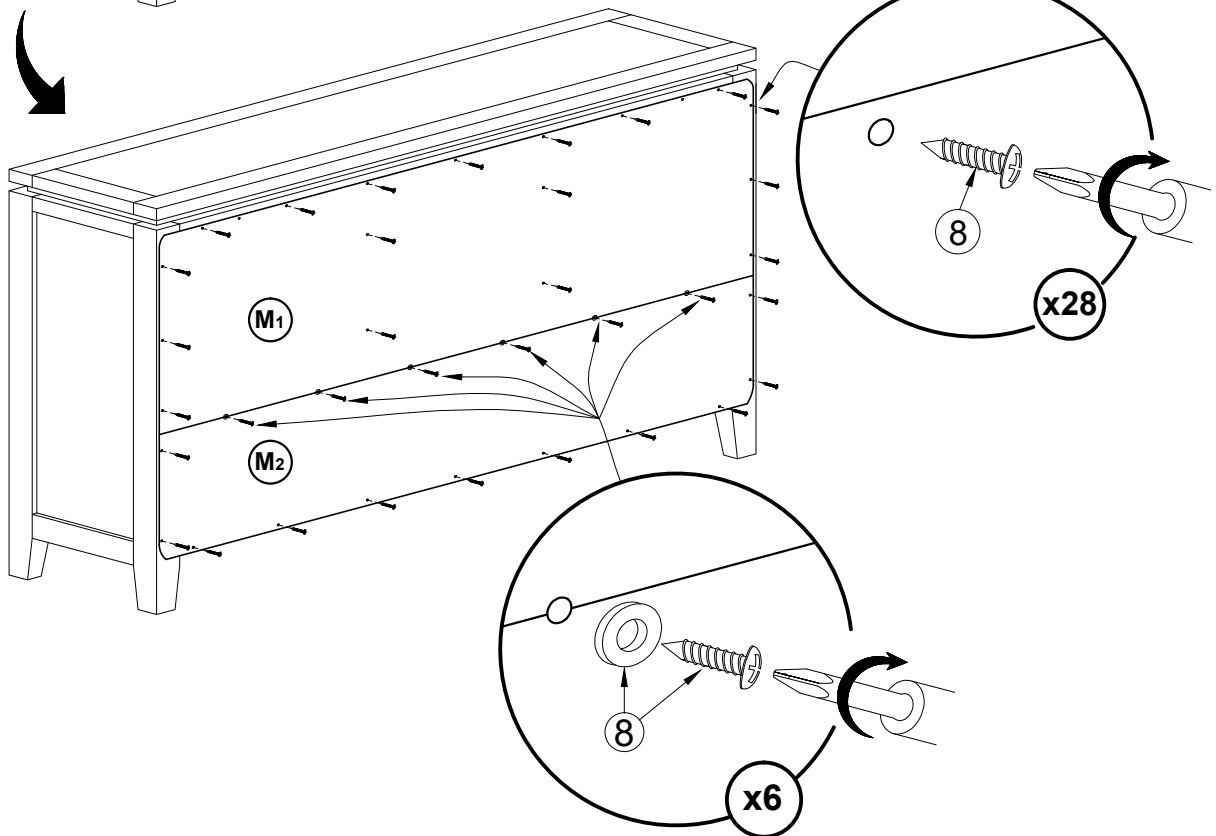
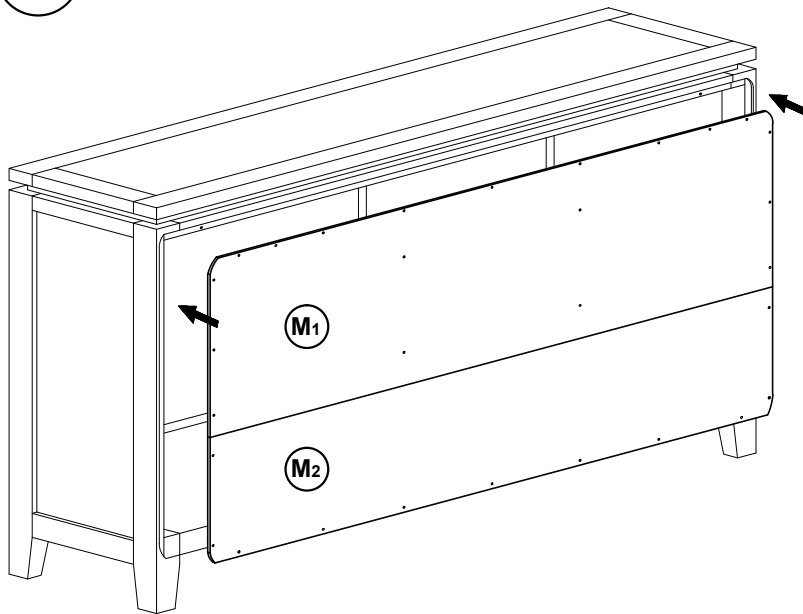


# BANAK

# AVELIN

AL-0007B-A-2

11



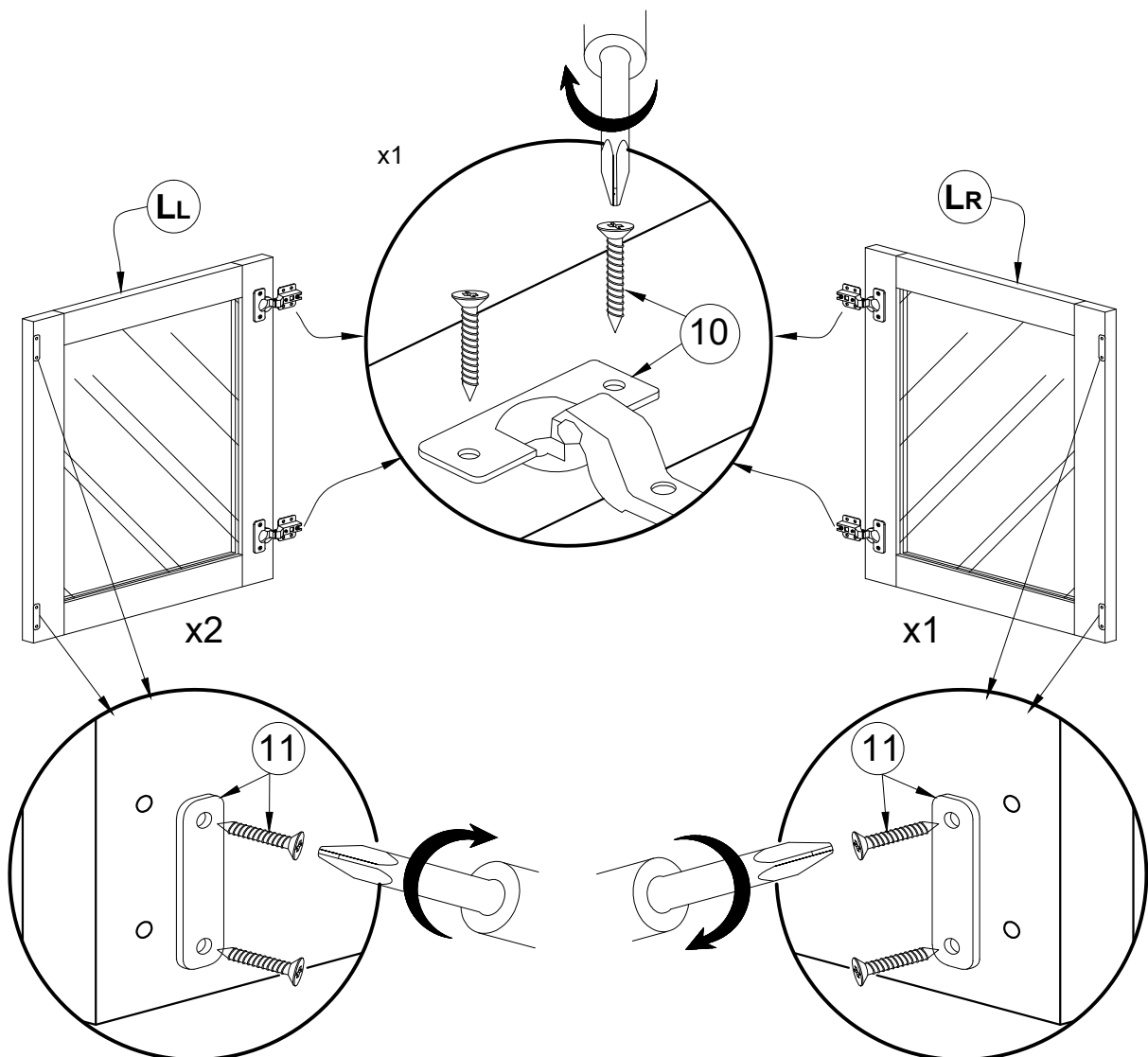


# BANAK

# AVELIN

AL-0007B-A-2

12

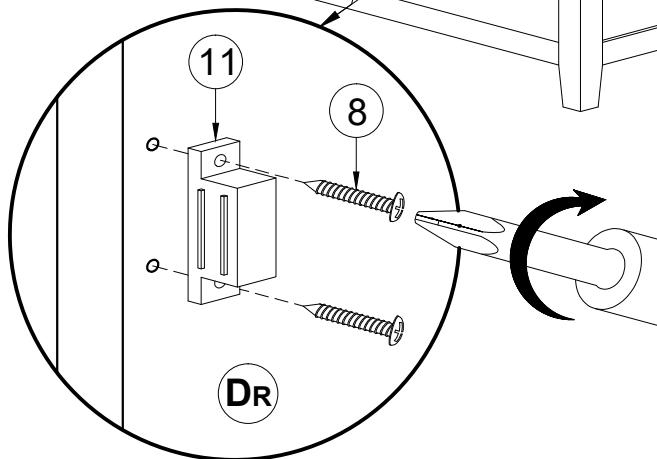
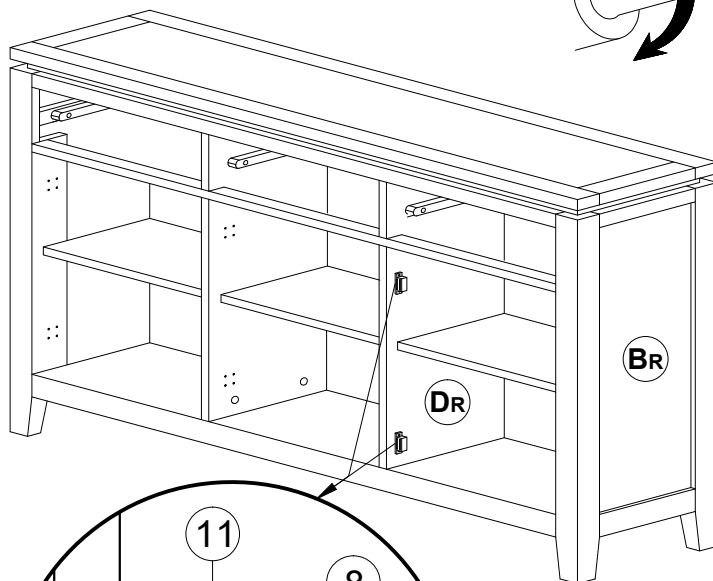
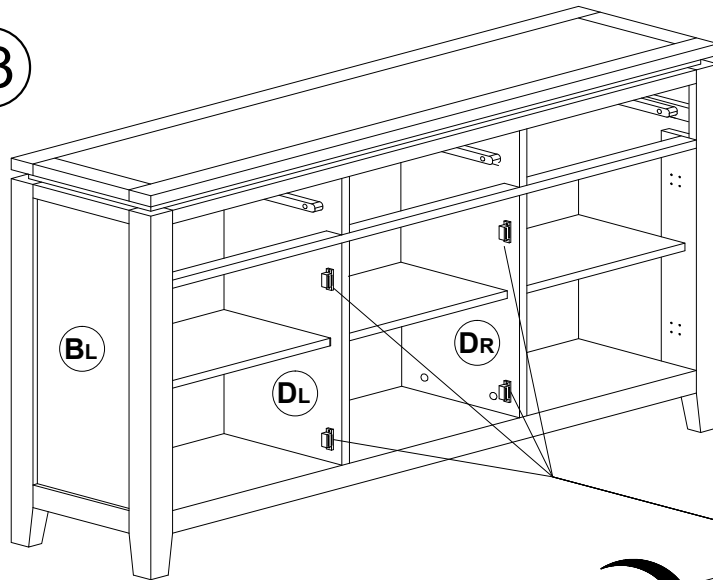


# BANAK

# AVELIN

AL-0007B-A-2

13

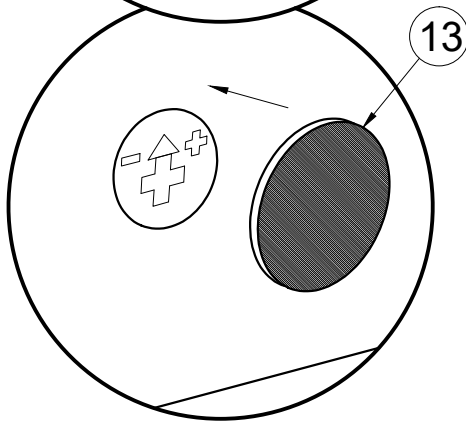
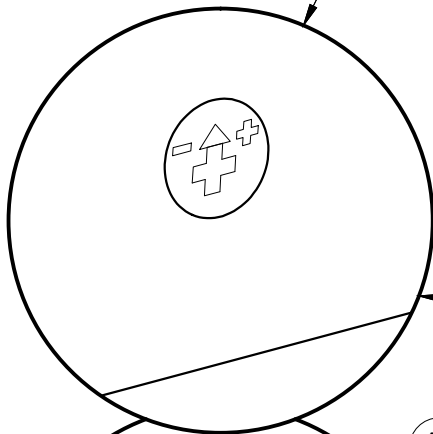
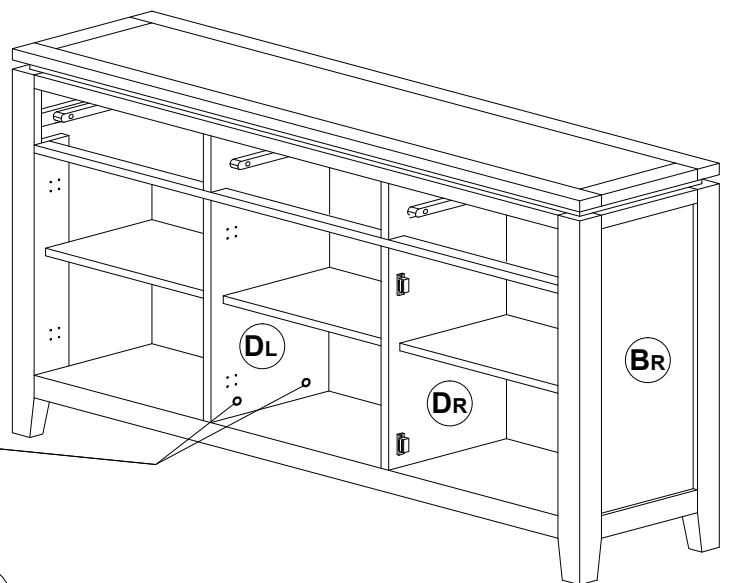
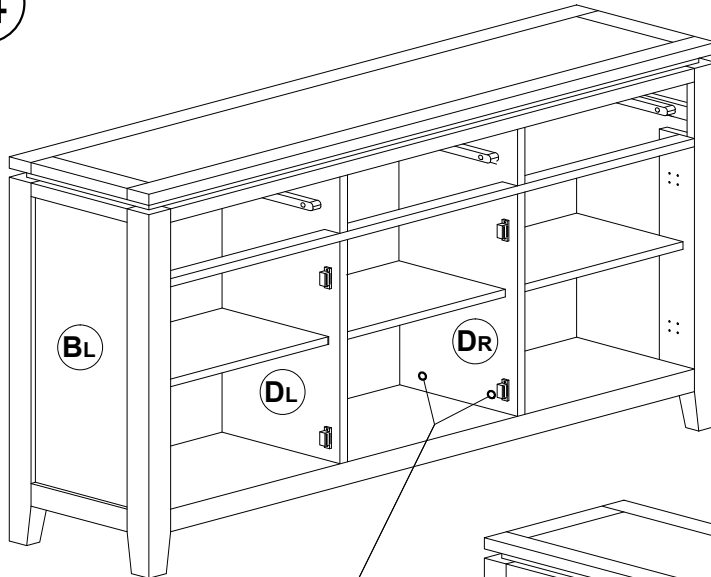


# BANAK

# AVELIN

AL-0007B-A-2

14

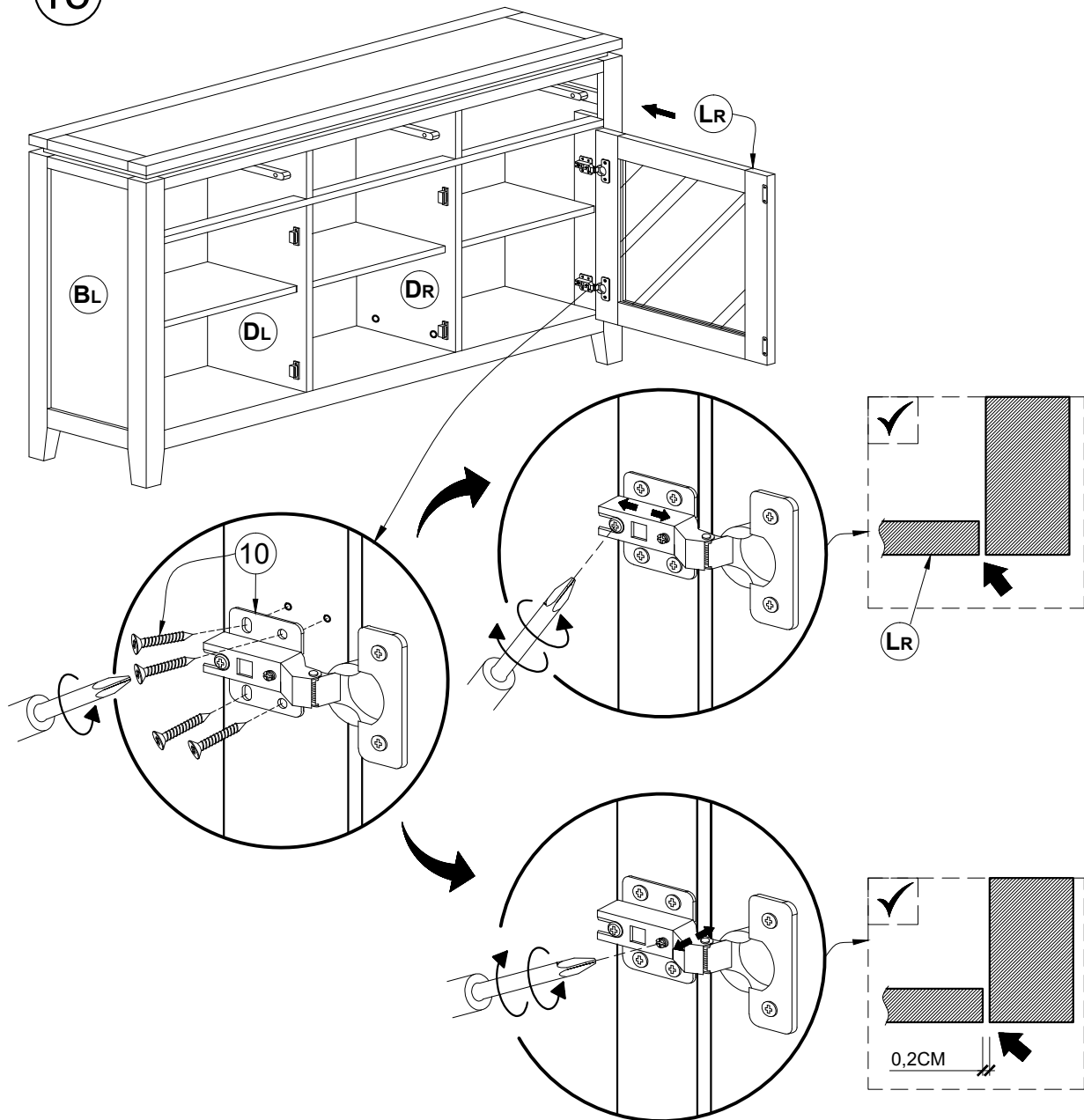


# BANAK

# AVELIN

AL-0007B-A-2

15

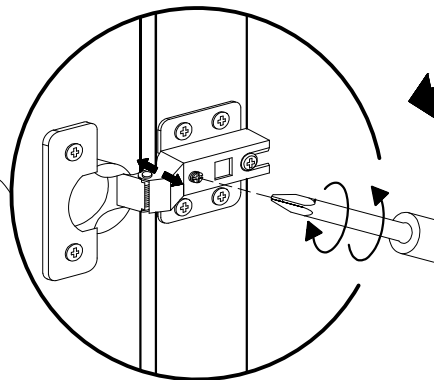
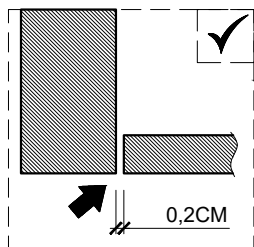
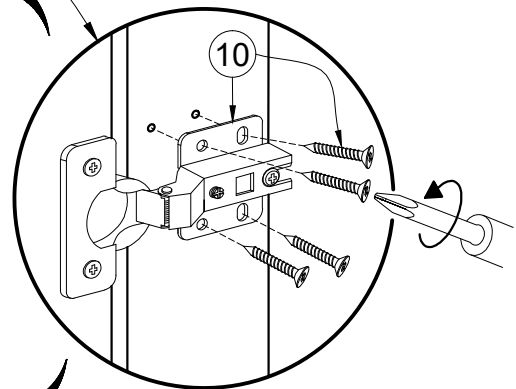
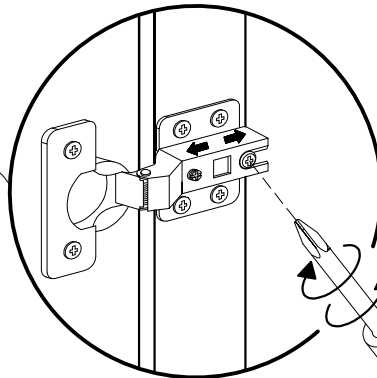
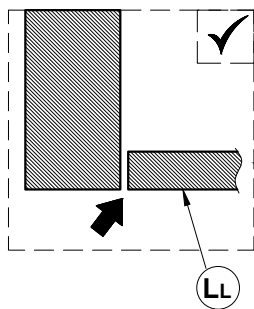
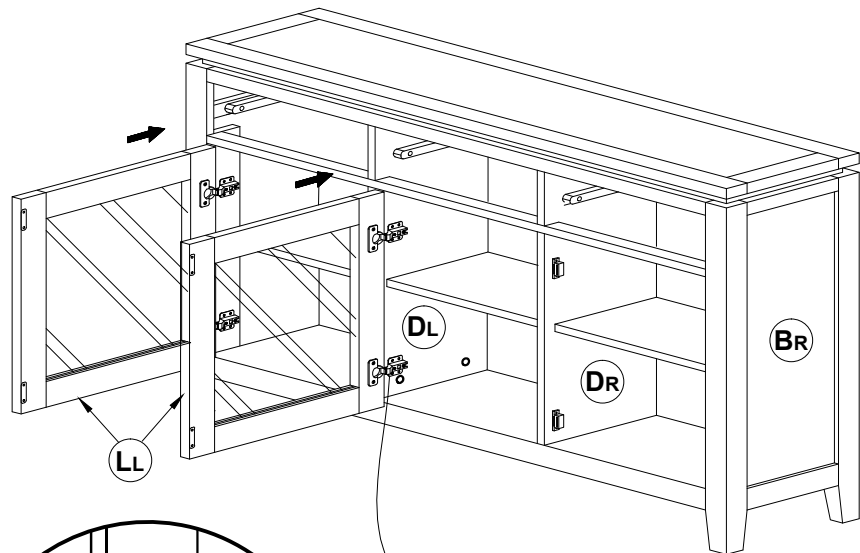


# BANAK

# AVELIN

AL-0007B-A-2

16

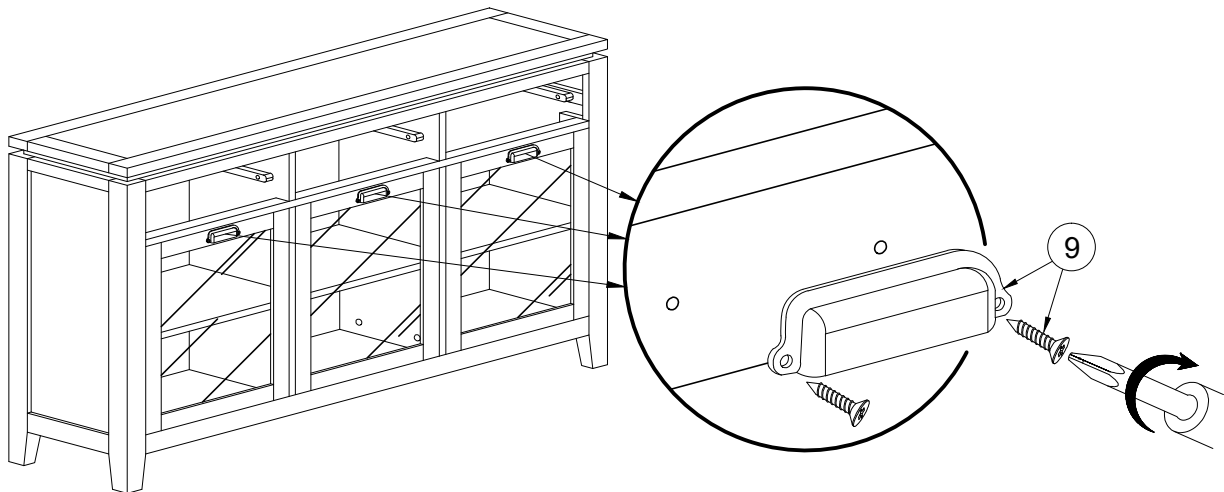


# BANAK

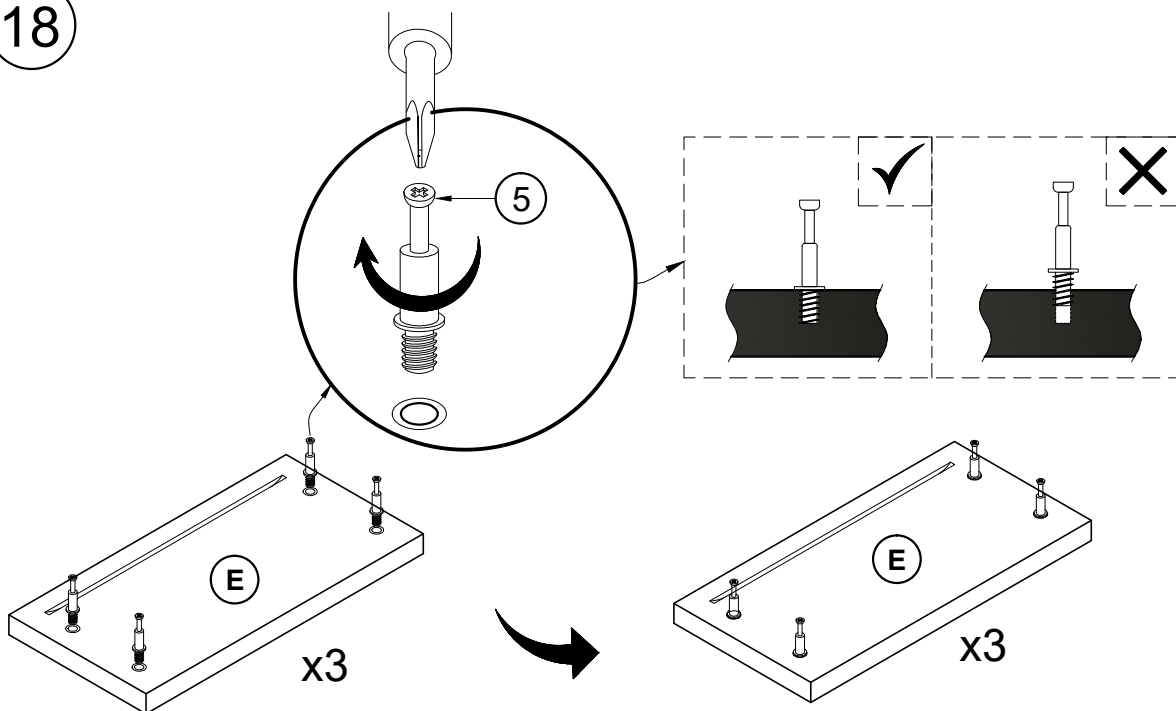
# AVELIN

AL-0007B-A-2

17



18

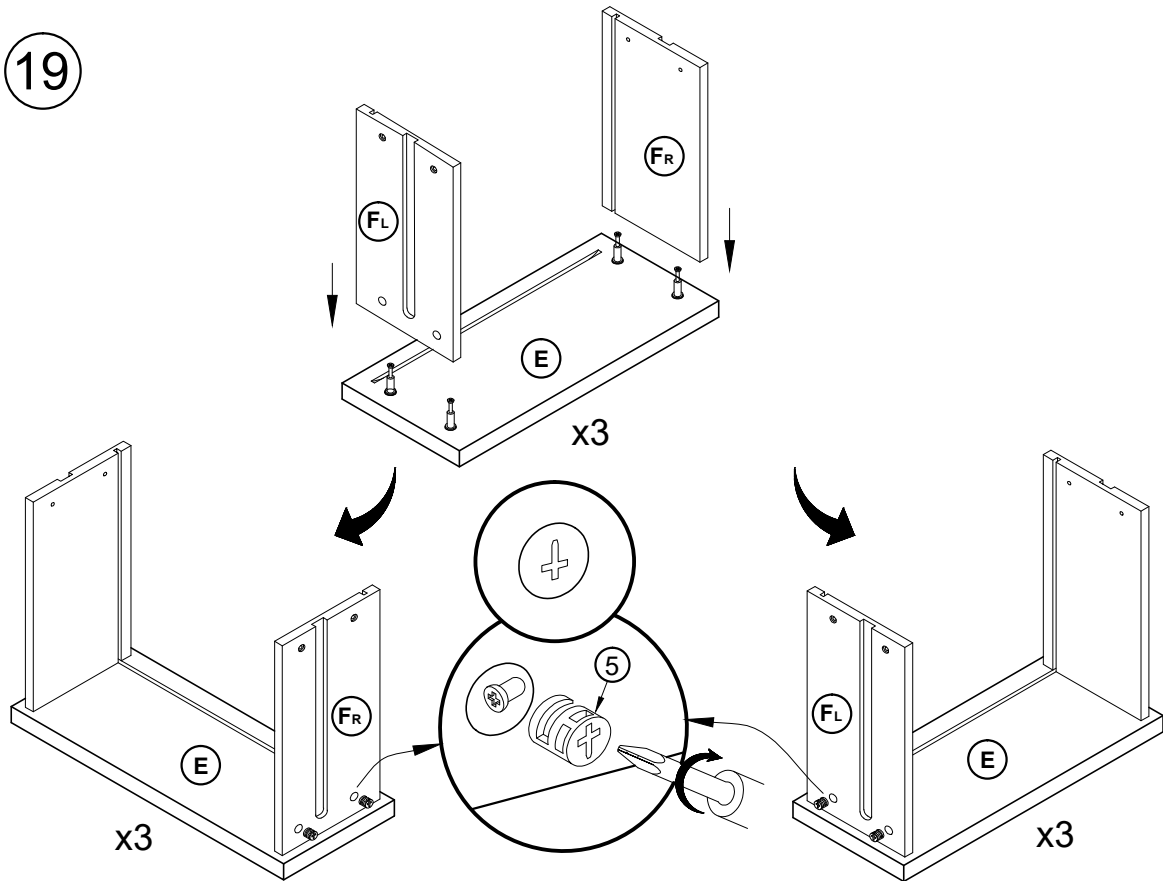


# BANAK

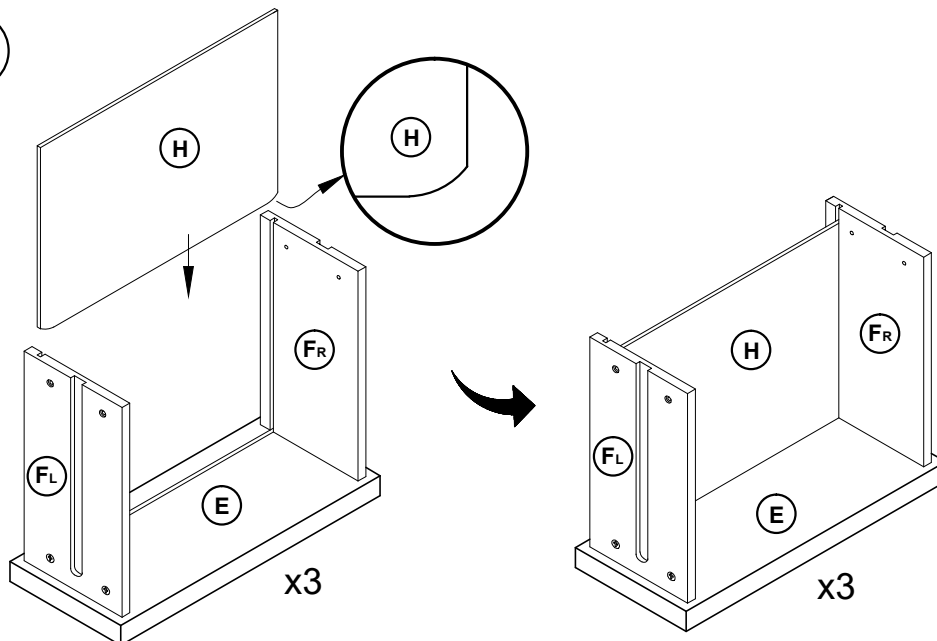
# AVELIN

AL-0007B-A-2

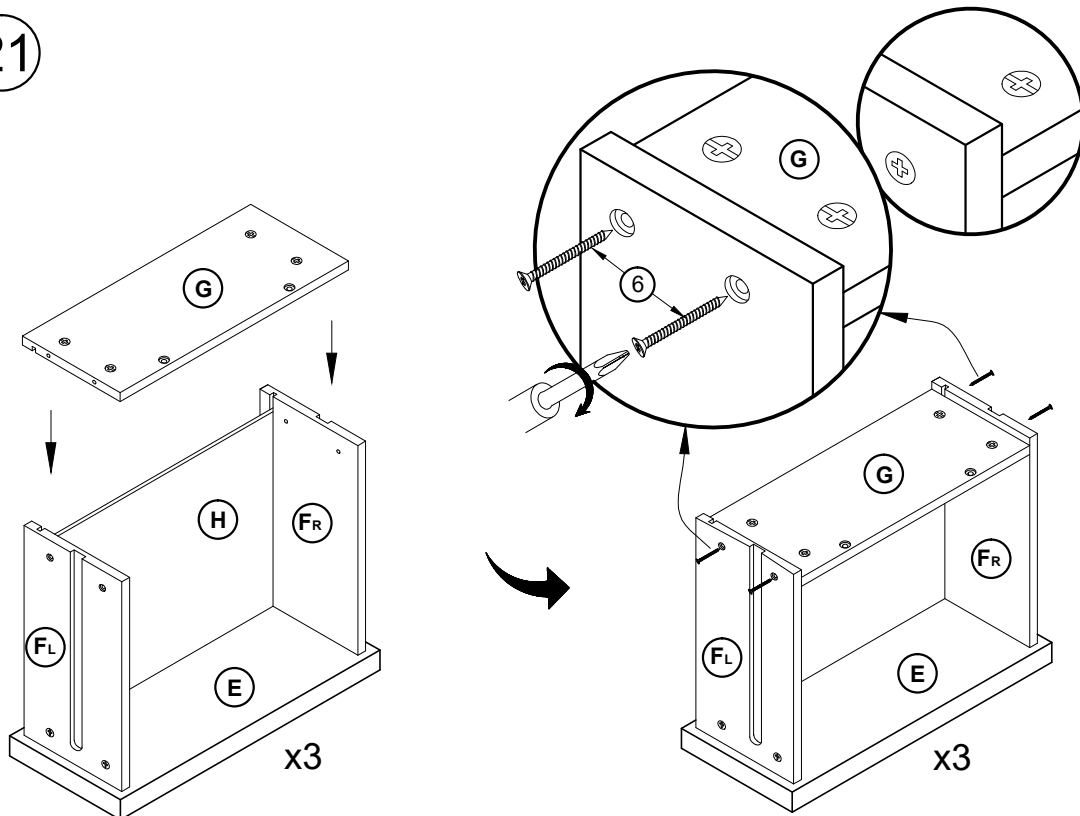
19



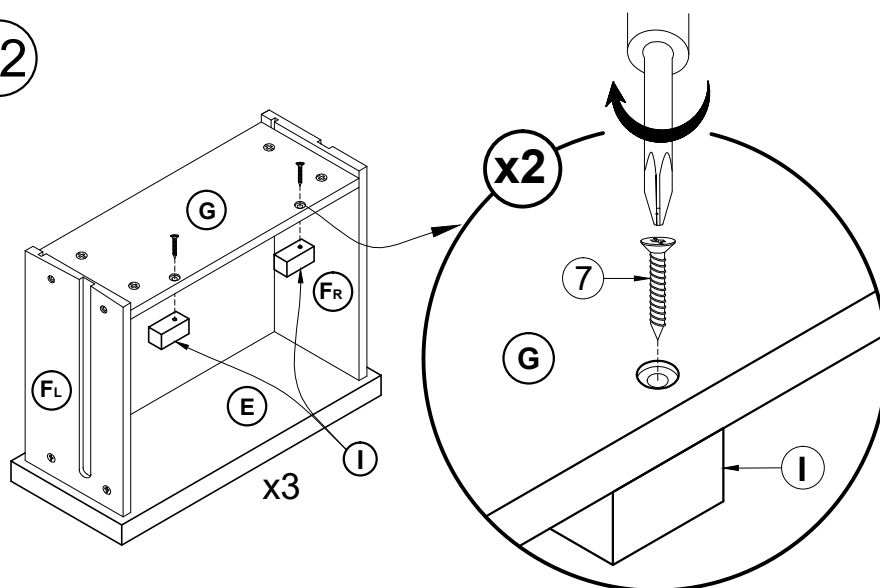
20



21



22



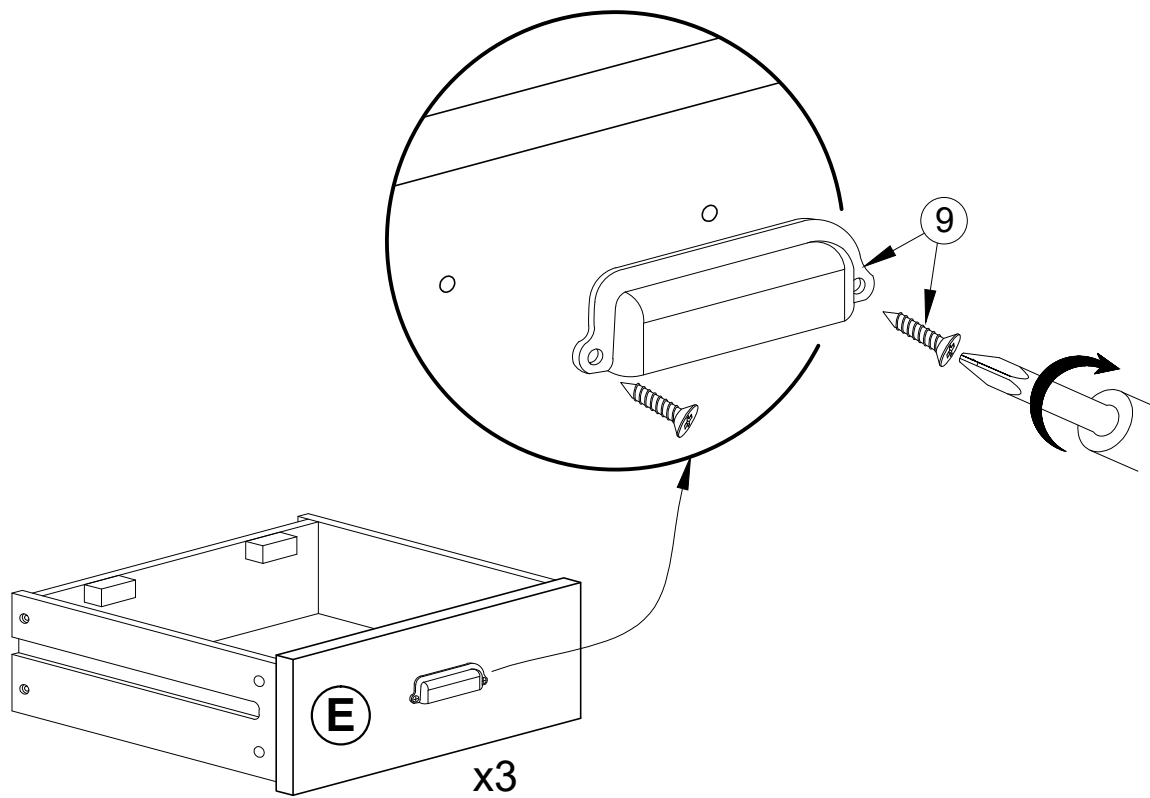


# BANAK

# AVELIN

AL-0007B-A-2

23

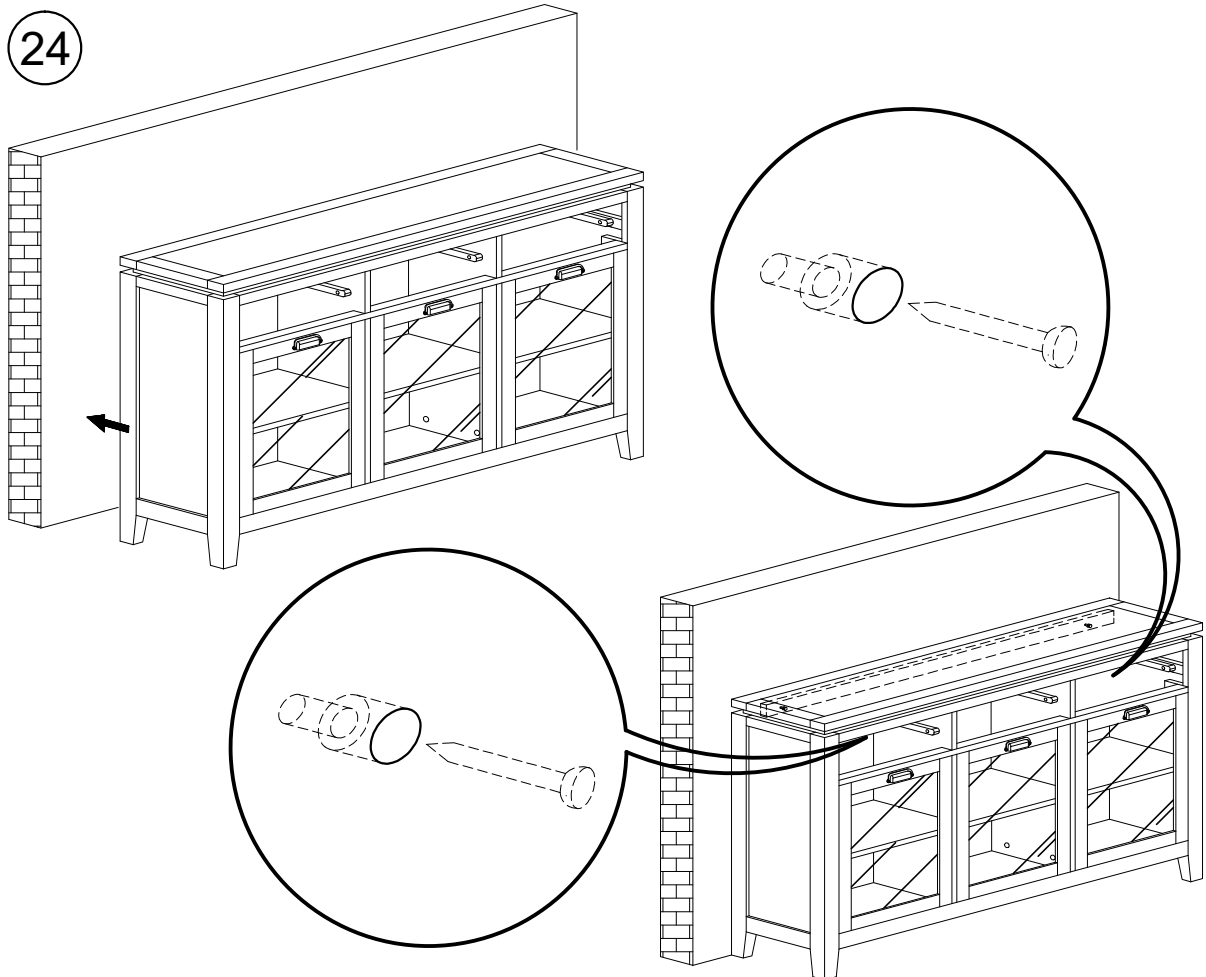


# BANAK

# AVELIN

AL-0007B-A-2

24



25

