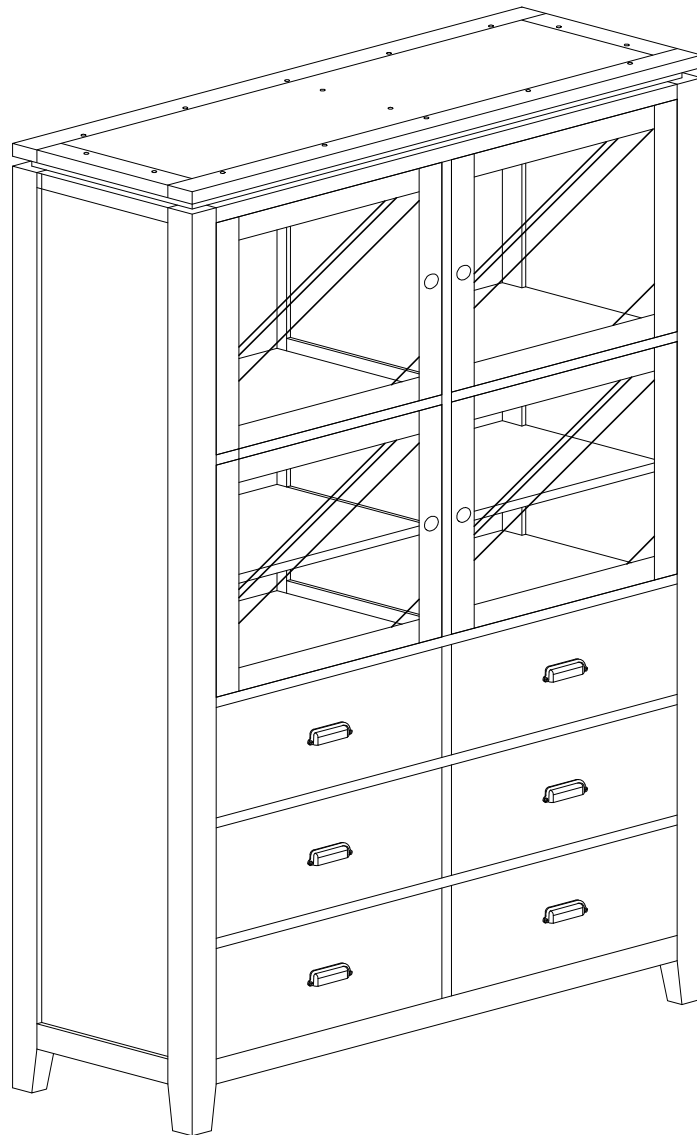


BANAK

AVELIN

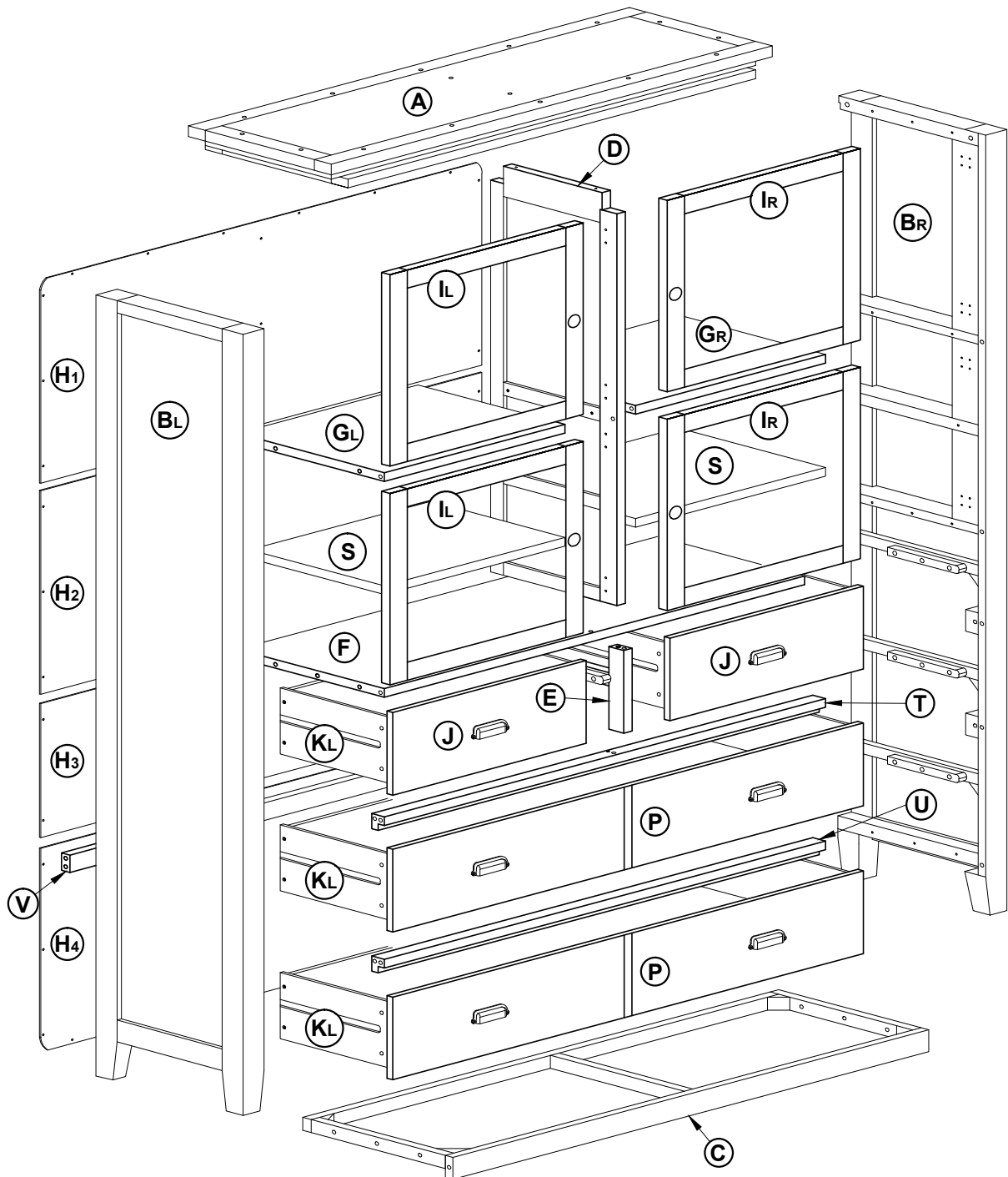
AL-0009B-A-2



BANAK

AVELIN

AL-0009B-A-2

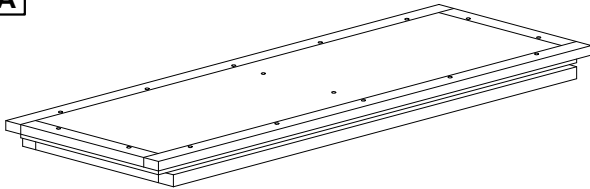


BANAK

AVELIN

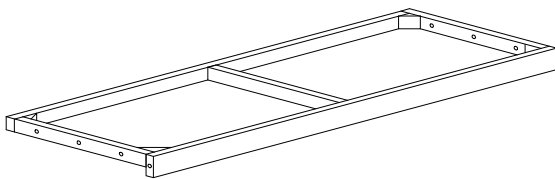
AL-0009B-A-2

A



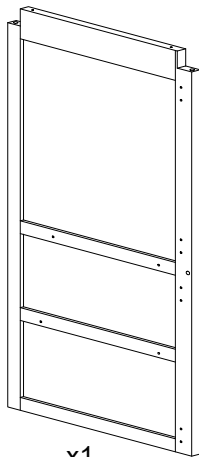
x1

C



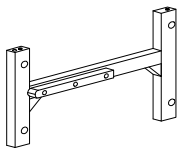
x1

D



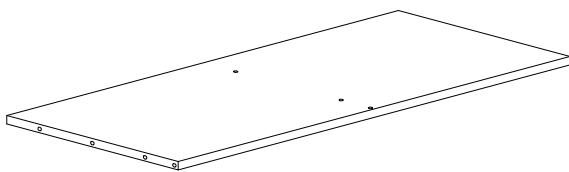
x1

E



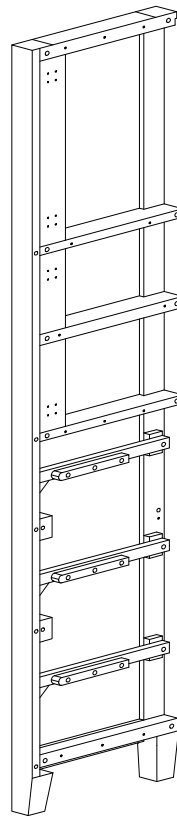
x1

F

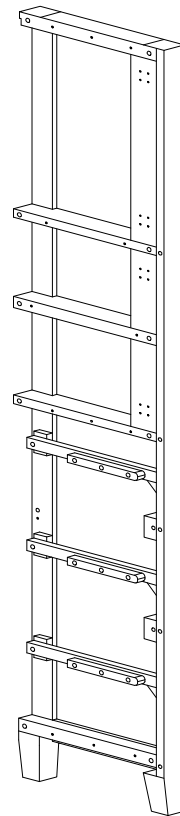


x1

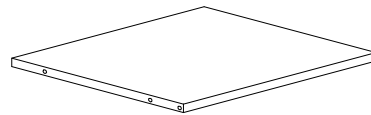
BL



BR

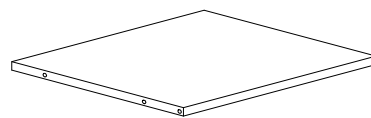


GL



x1

GR



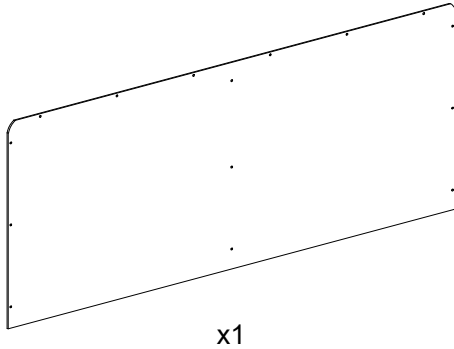
x1

BANAK

AVELIN

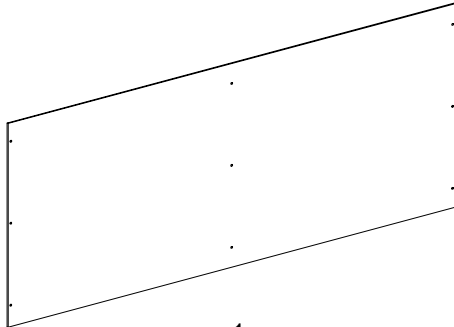
AL-0009B-A-2

H1



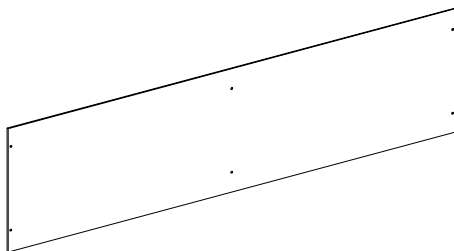
x1

H2



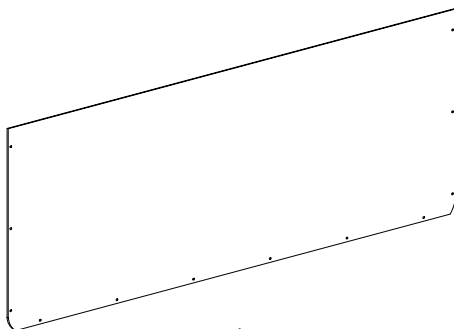
x1

H3



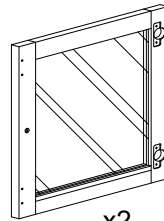
x1

H4



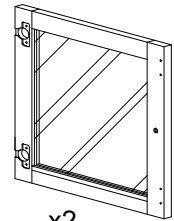
x1

IL



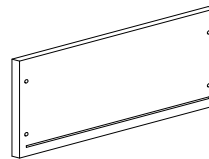
x2

IR



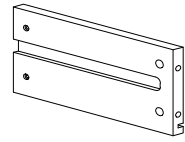
x2

J



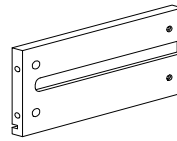
x2

KL



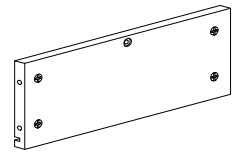
x3

KR



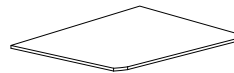
x3

L



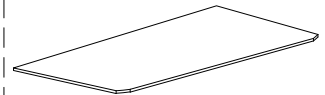
x2

M



x2

N



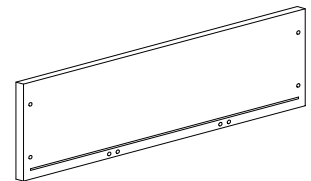
x2

O



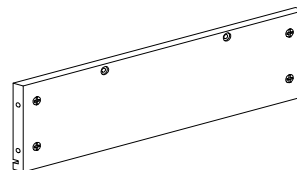
x8

P



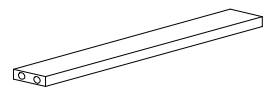
x2

Q



x2

R



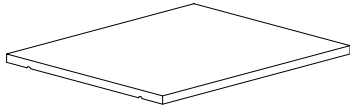
x4

BANAK

AVELIN

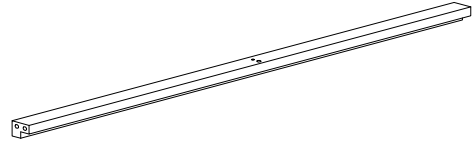
AL-0009B-A-2

S



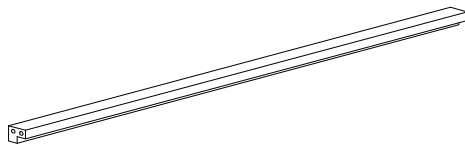
x2

T



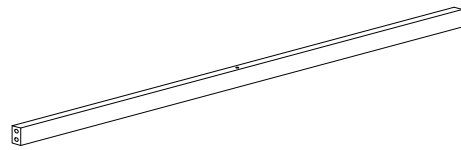
x1

U



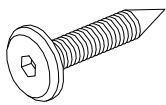
x1

V



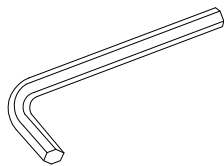
x1

1



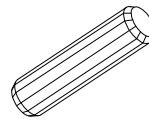
x32
M6x30

2



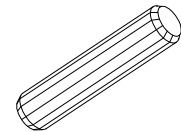
x1
4mm

3



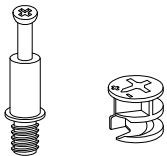
x35
Ø8x30

4



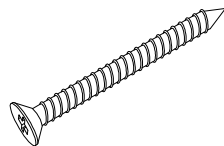
x2
Ø8x40

5



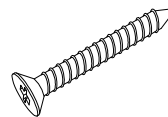
x16
Ø6 x16
Ø12x10

6



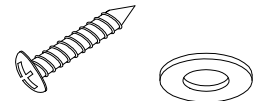
x16
M4x40

7



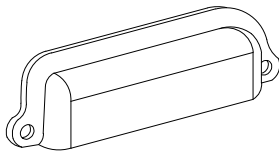
x20
M4x25

8

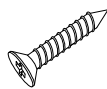


x70
M3.5x15 x12
Ø4/Ø8

9

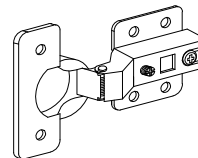


x6
HANDLE

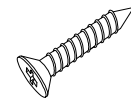


x12
M3x15

10

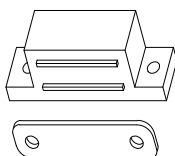


x8
Ø26



x48
M4x15

11



x8



x16
M3x15

12

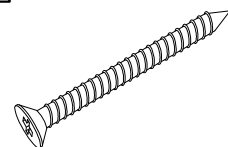


x6
Ø7



x6
Ø15

13



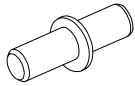
x2
M4x50

BANAK

AVELIN

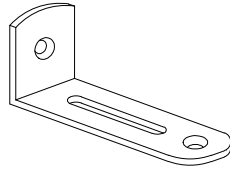
AL-0009B-A-2

14



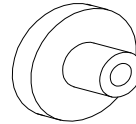
x8
Ø5x17

15

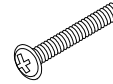


x2
20x25x90

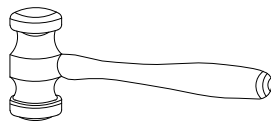
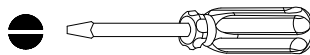
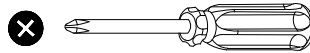
16



x4
HANDLE



x4
M4x20

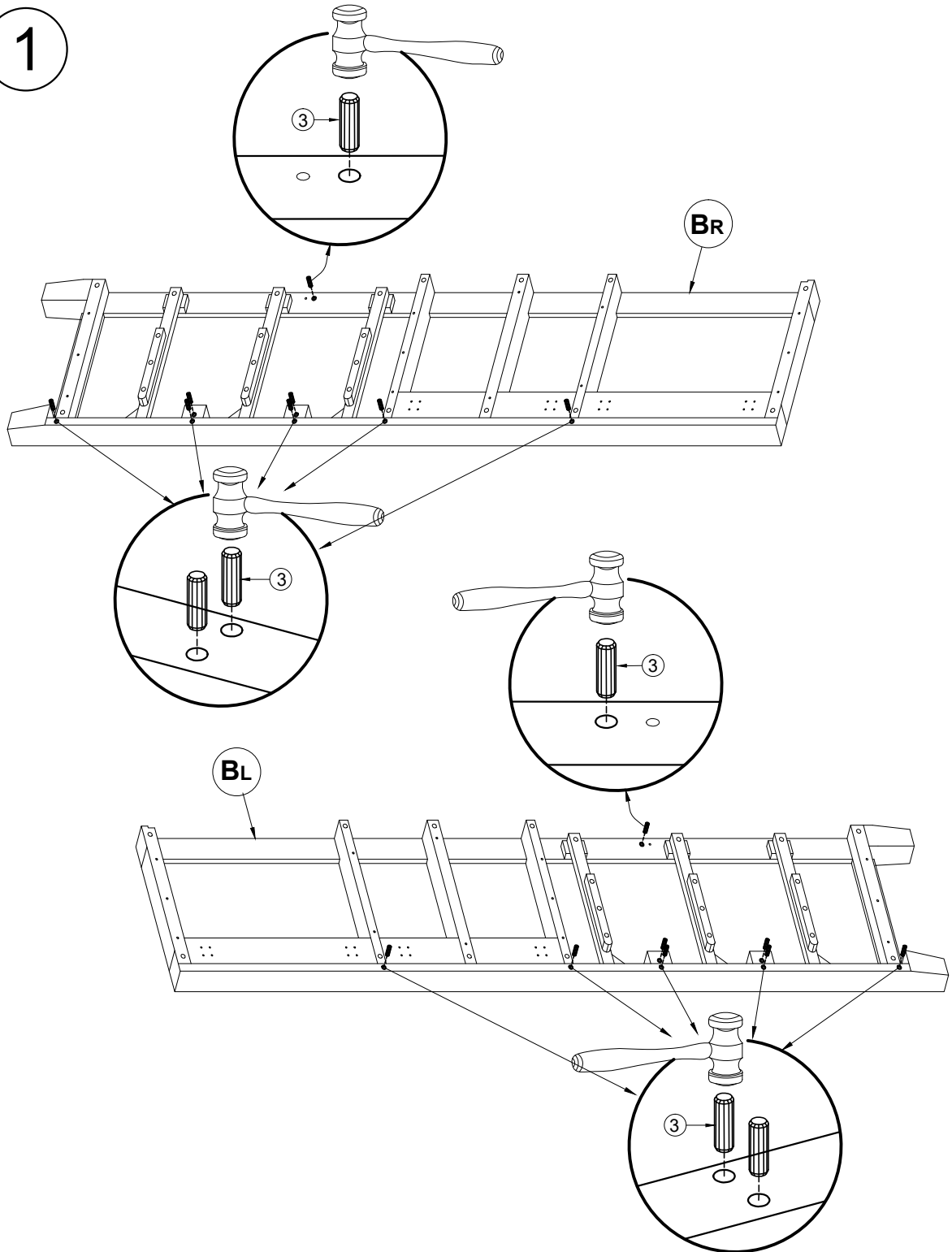


BANAK

AVELIN

AL-0009B-A-2

1

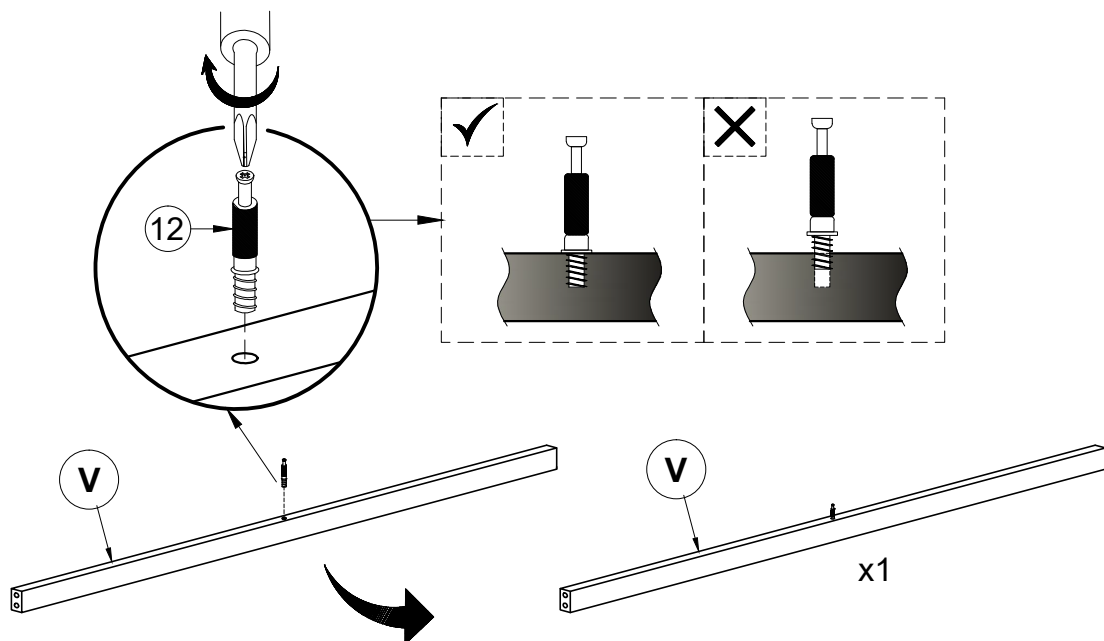
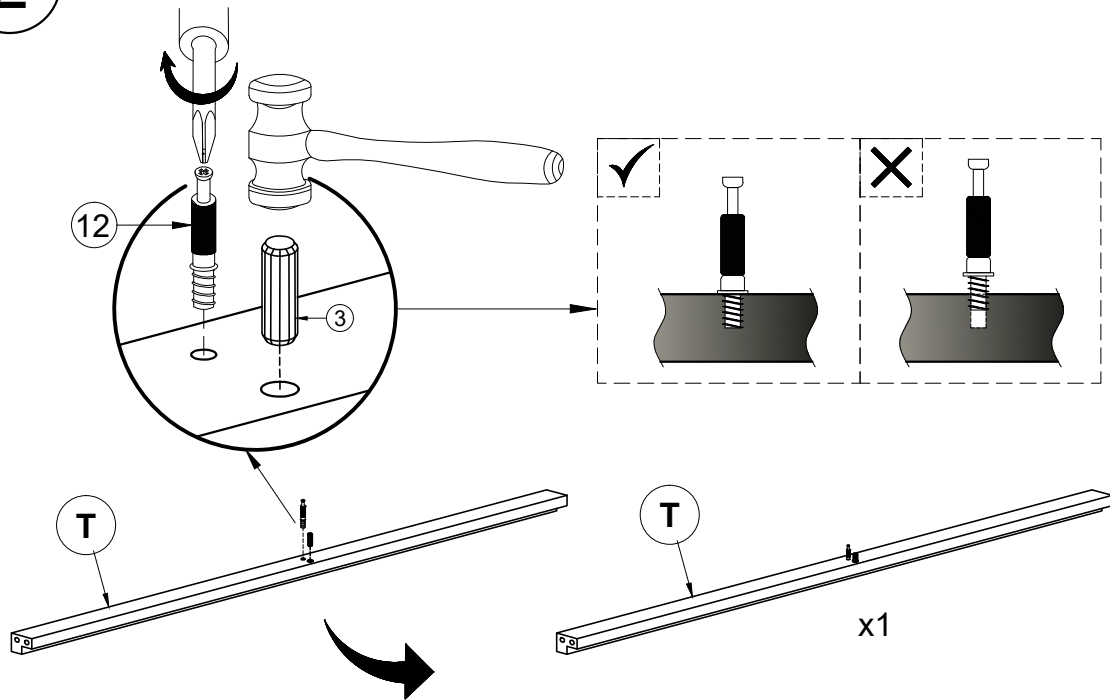


BANAK

AVELIN

AL-0009B-A-2

2

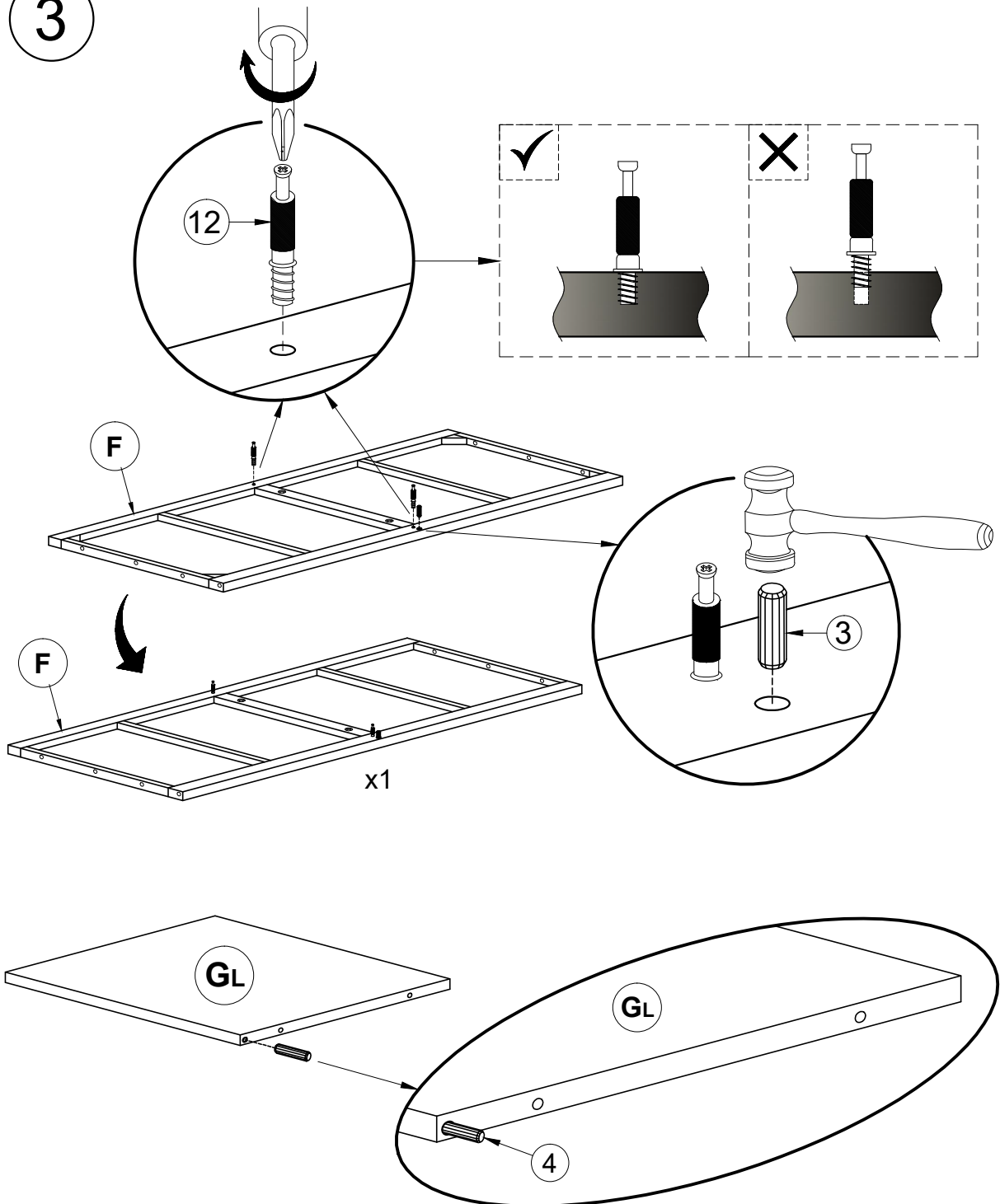


BANAK

AVELIN

AL-0009B-A-2

3

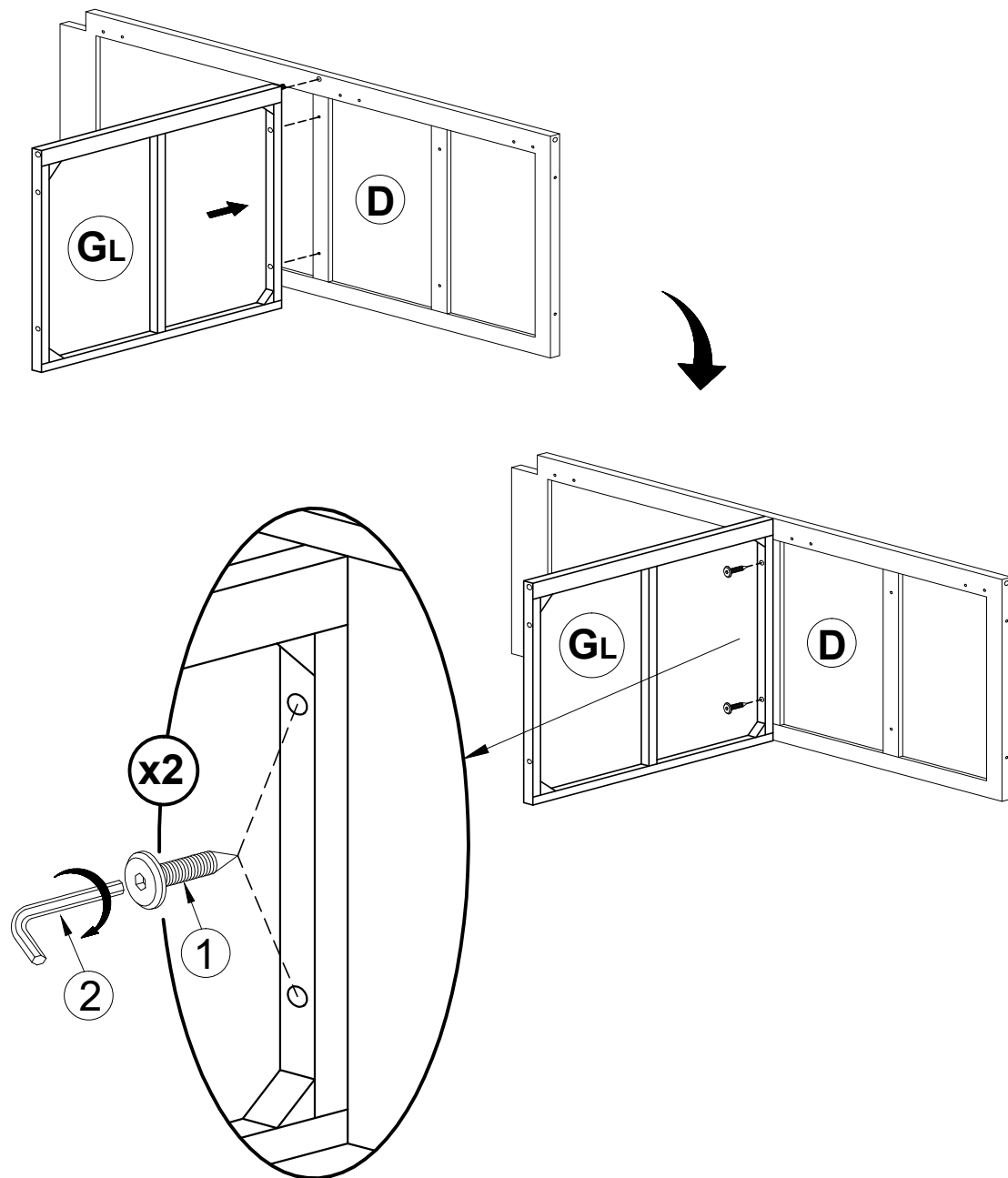


BANAK

AVELIN

AL-0009B-A-2

4

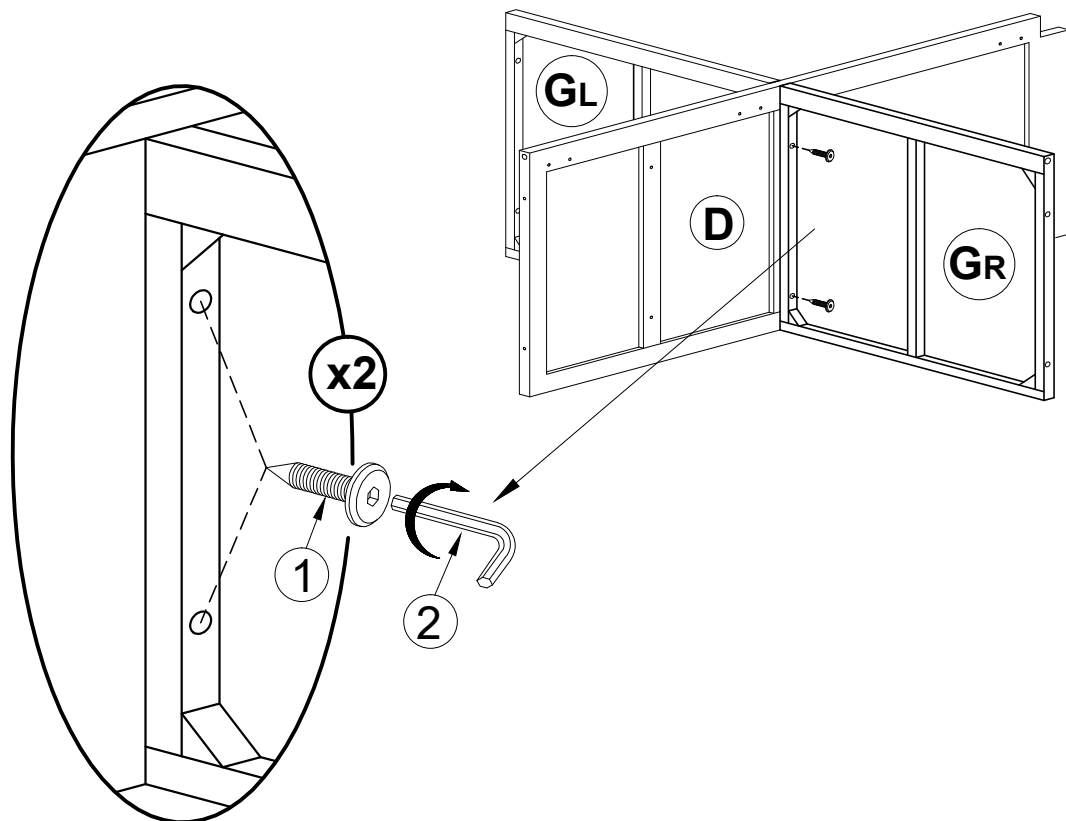
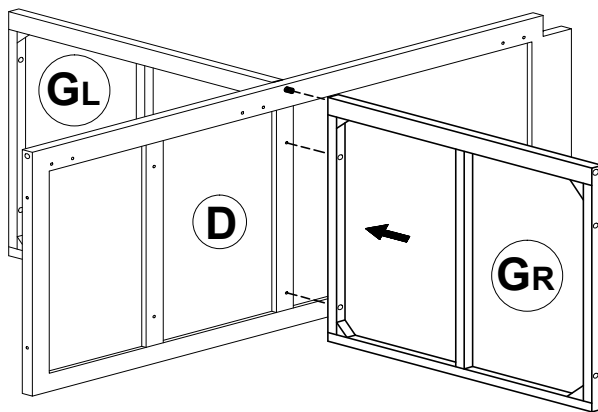


BANAK

AVELIN

AL-0009B-A-2

5

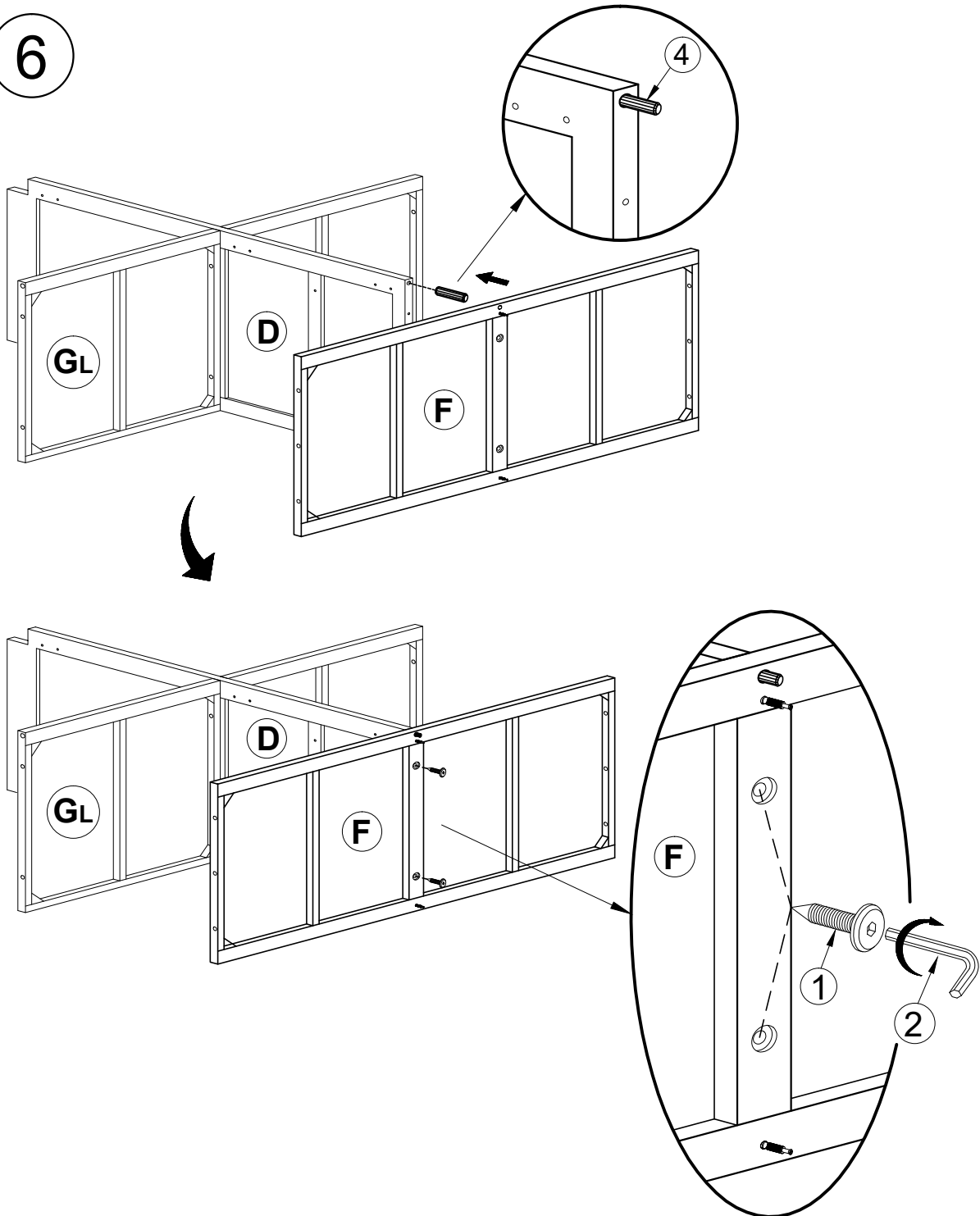


BANAK

AVELIN

AL-0009B-A-2

6

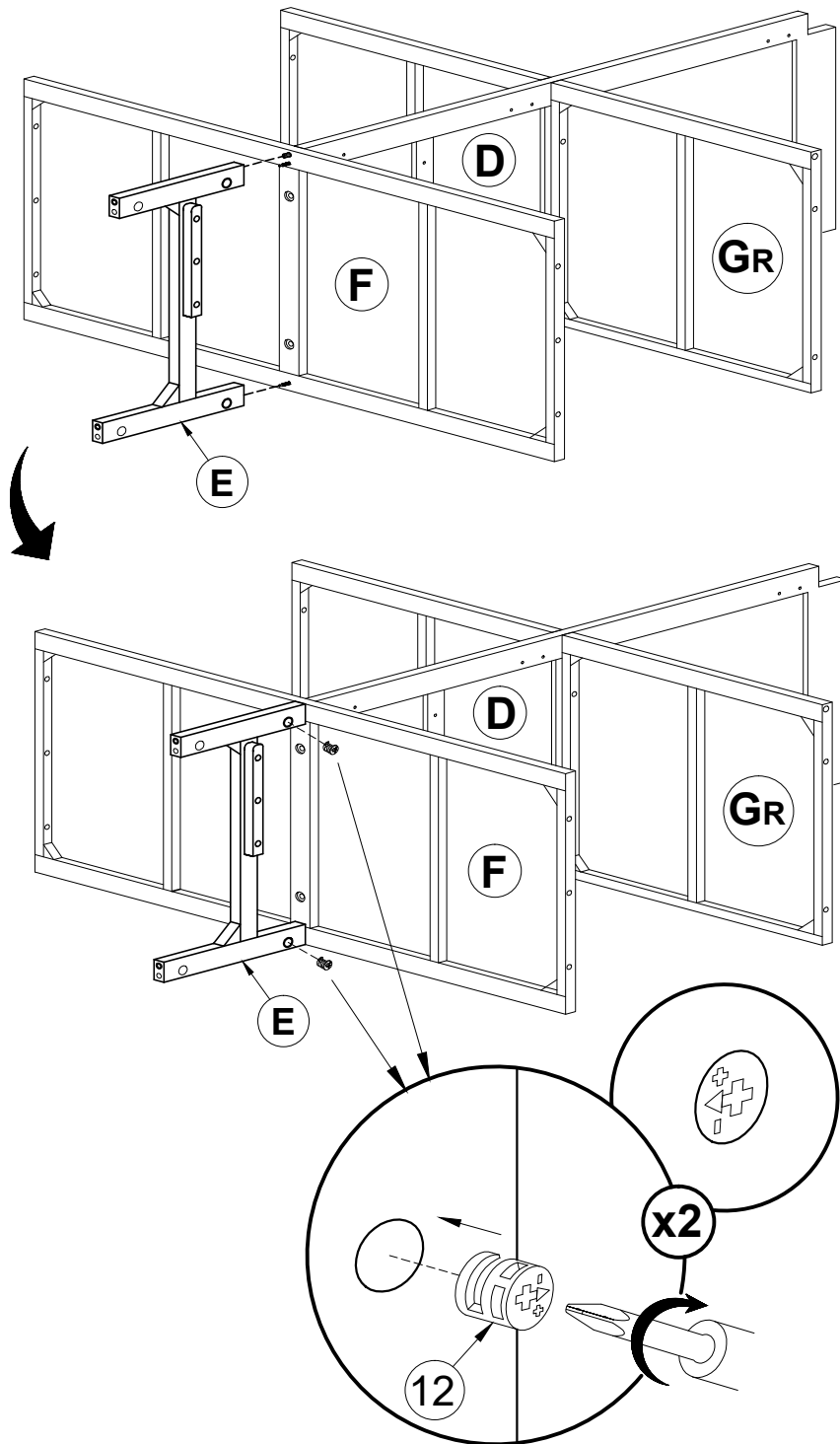


BANAK

AVELIN

AL-0009B-A-2

7

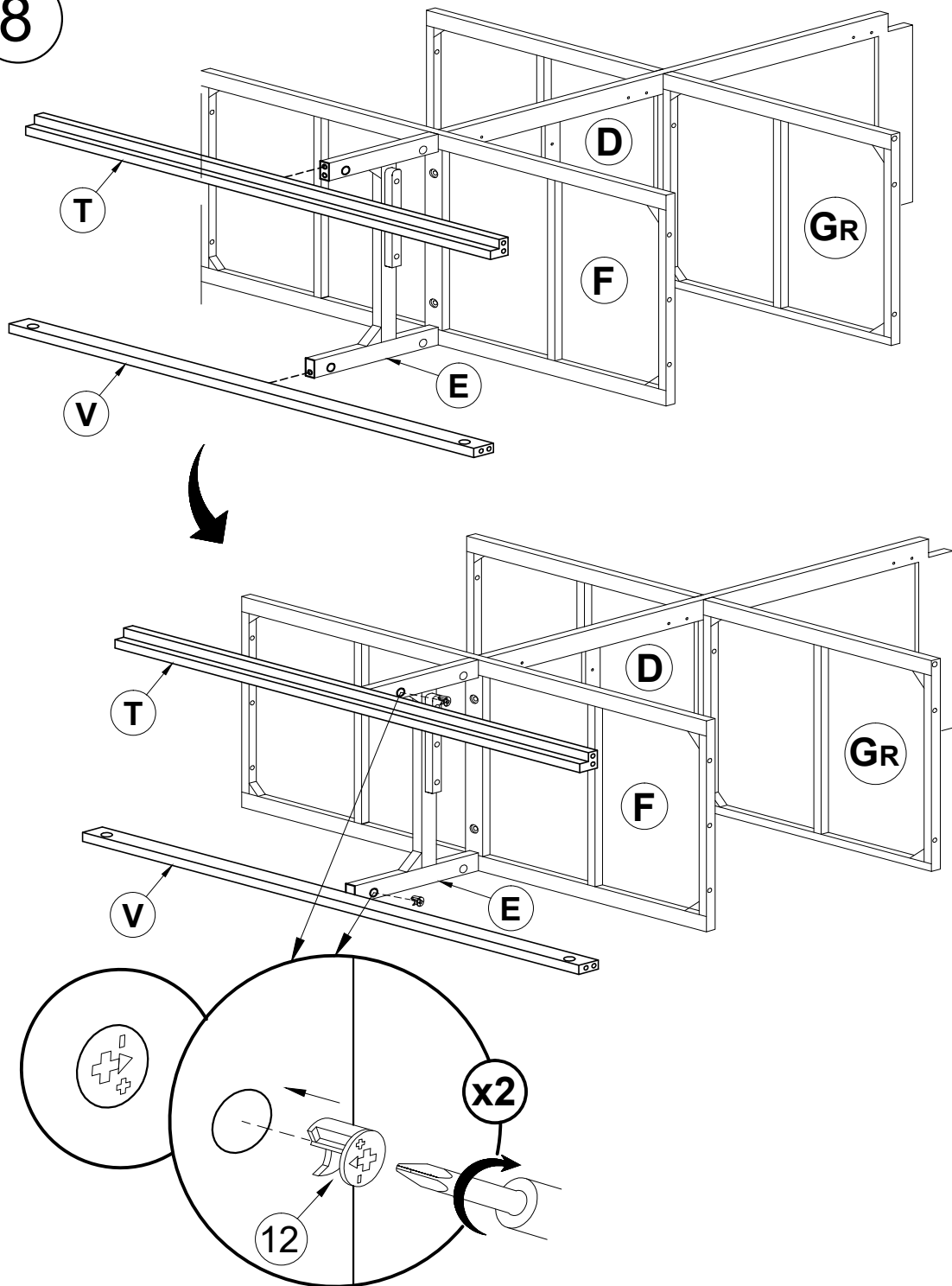


BANAK

AVELIN

AL-0009B-A-2

8

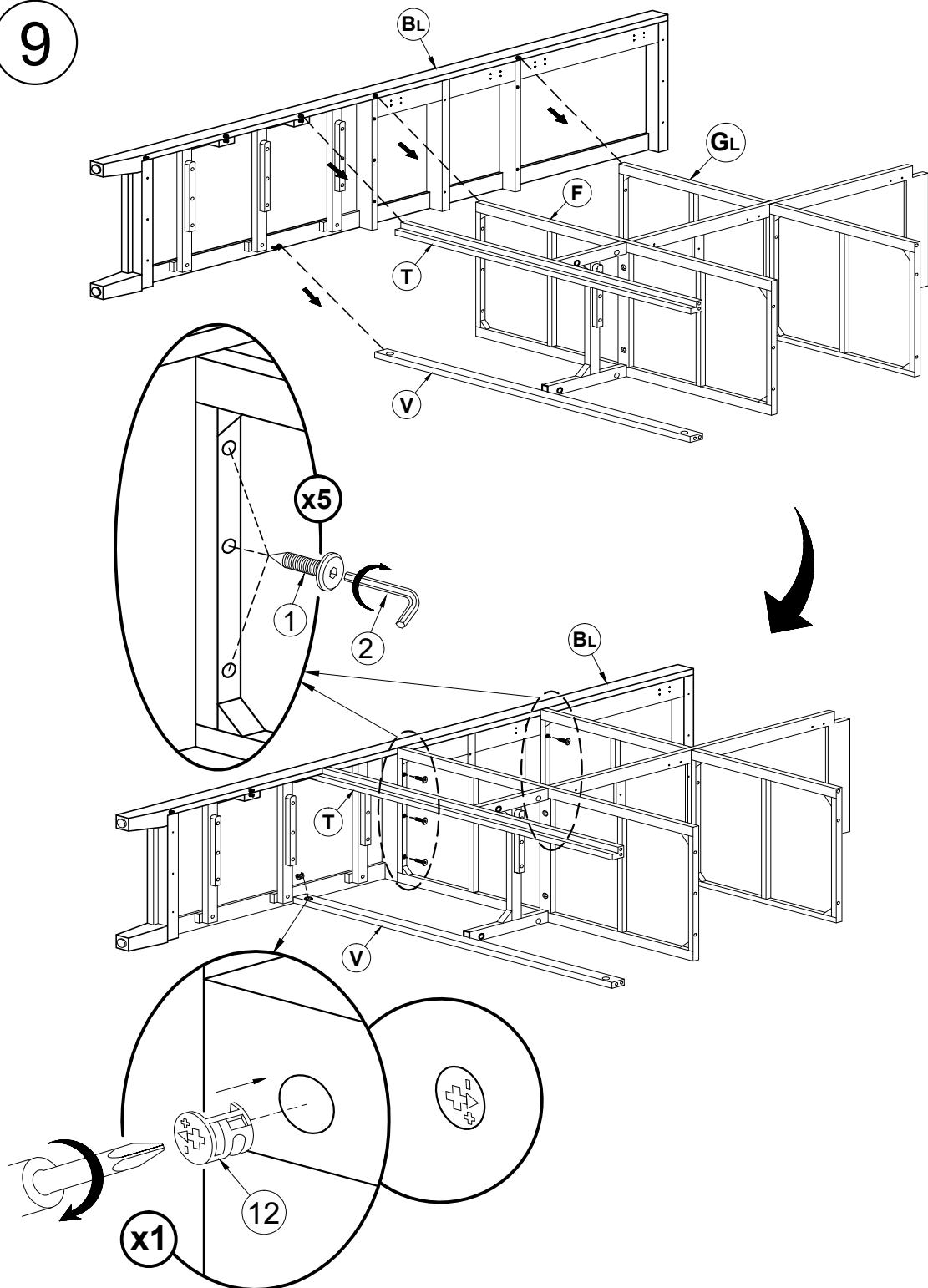


BANAK

AVELIN

AL-0009B-A-2

9

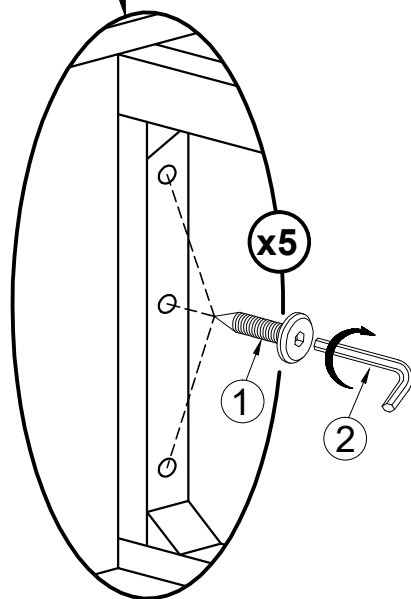
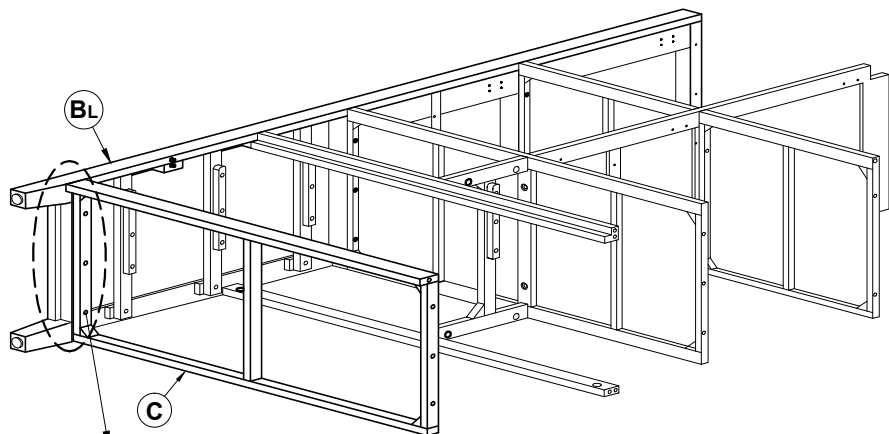
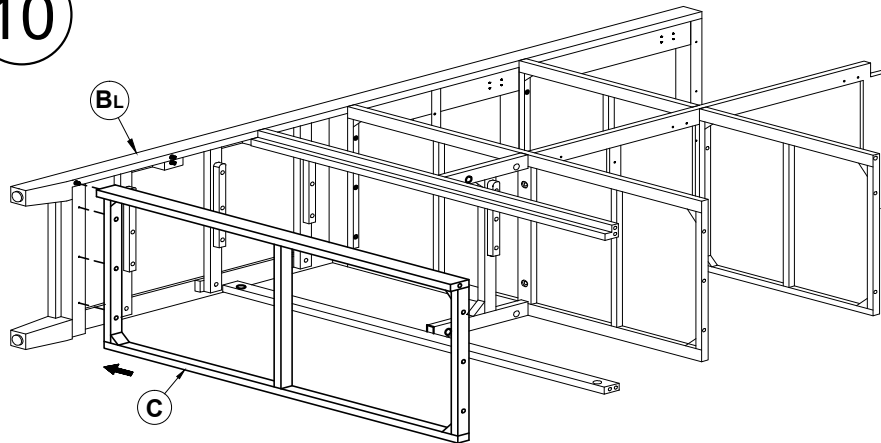


BANAK

AVELIN

AL-0009B-A-2

10

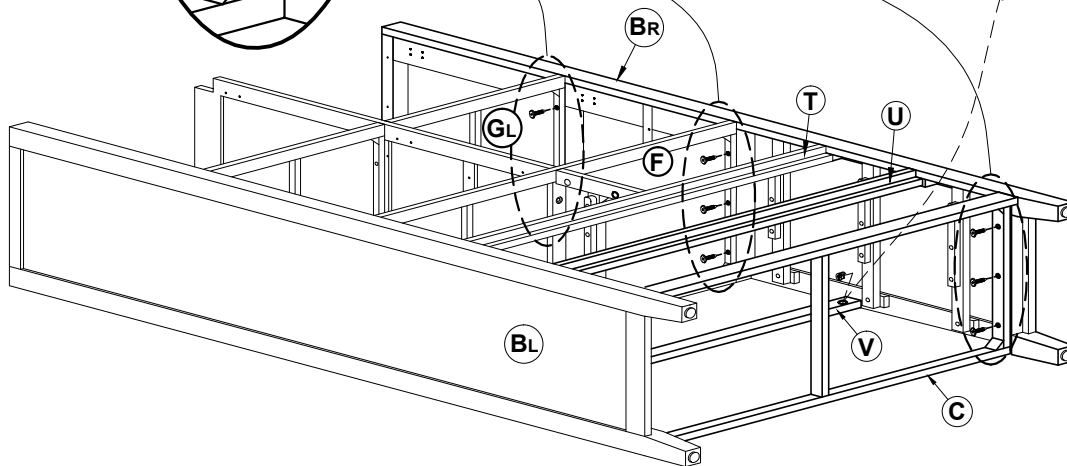
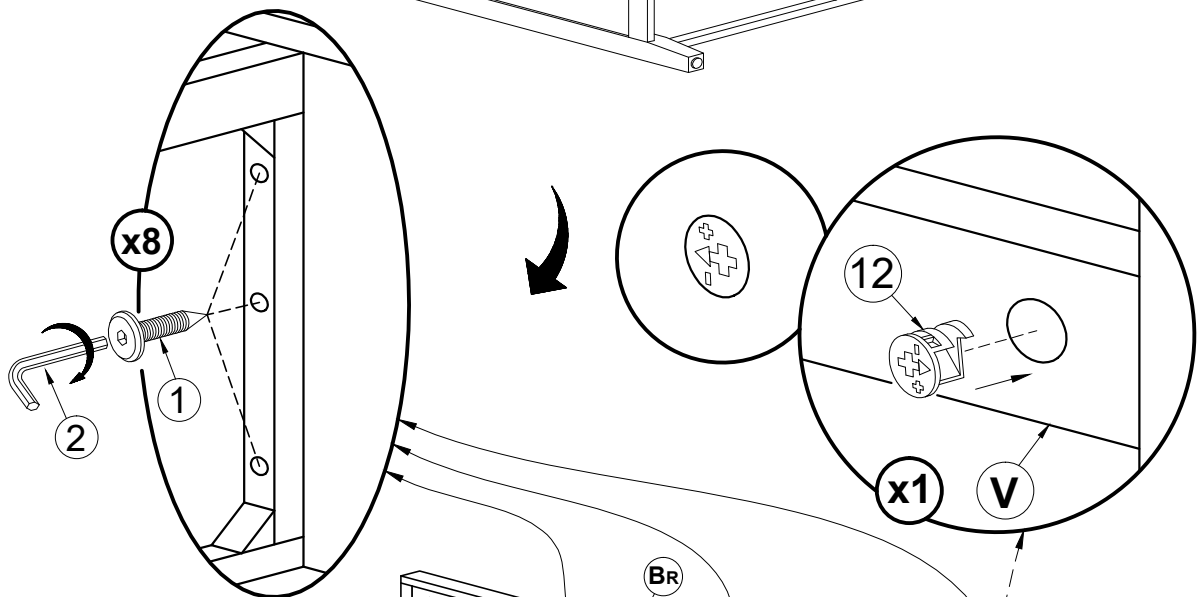
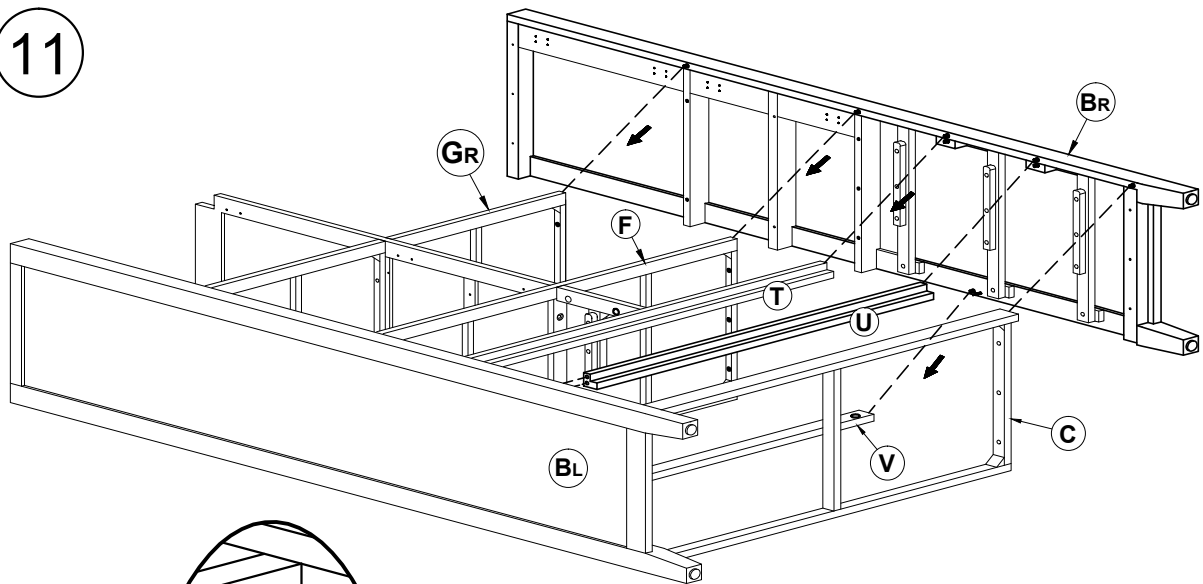


BANAK

AVELIN

AL-0009B-A-2

11

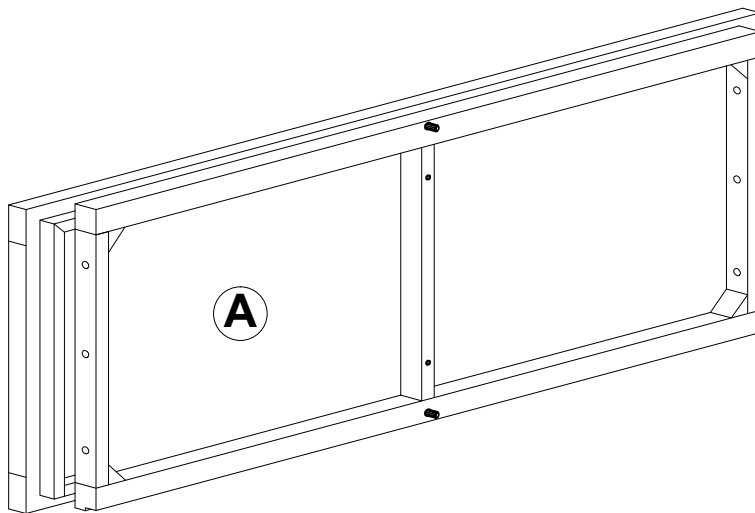
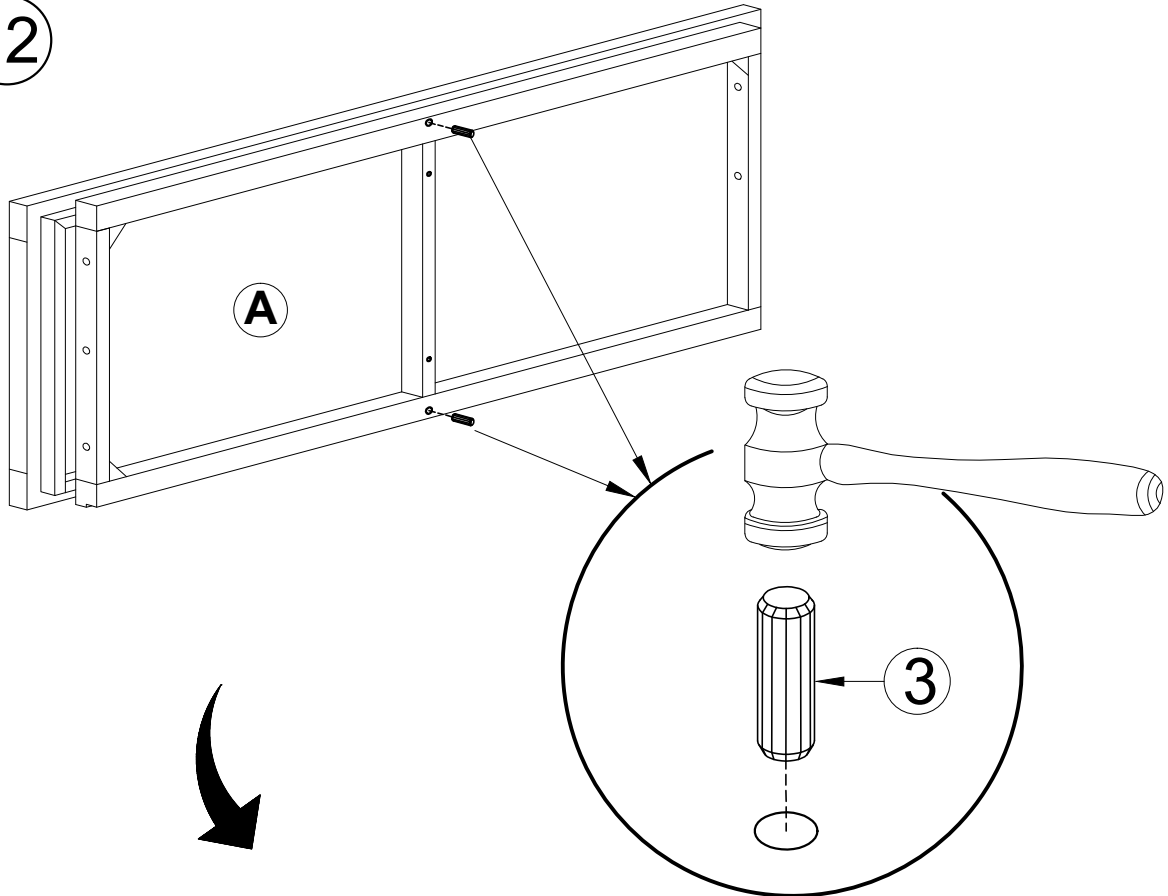


BANAK

AVELIN

AL-0009B-A-2

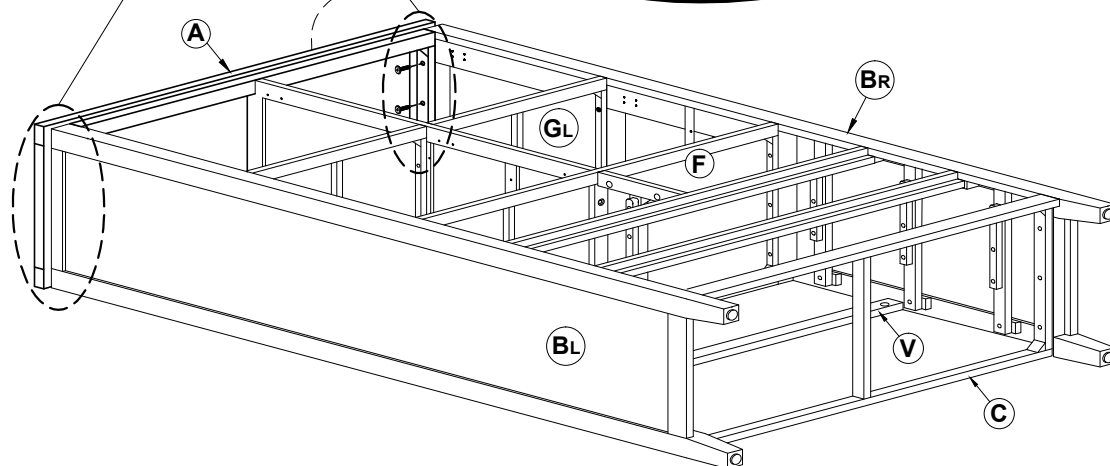
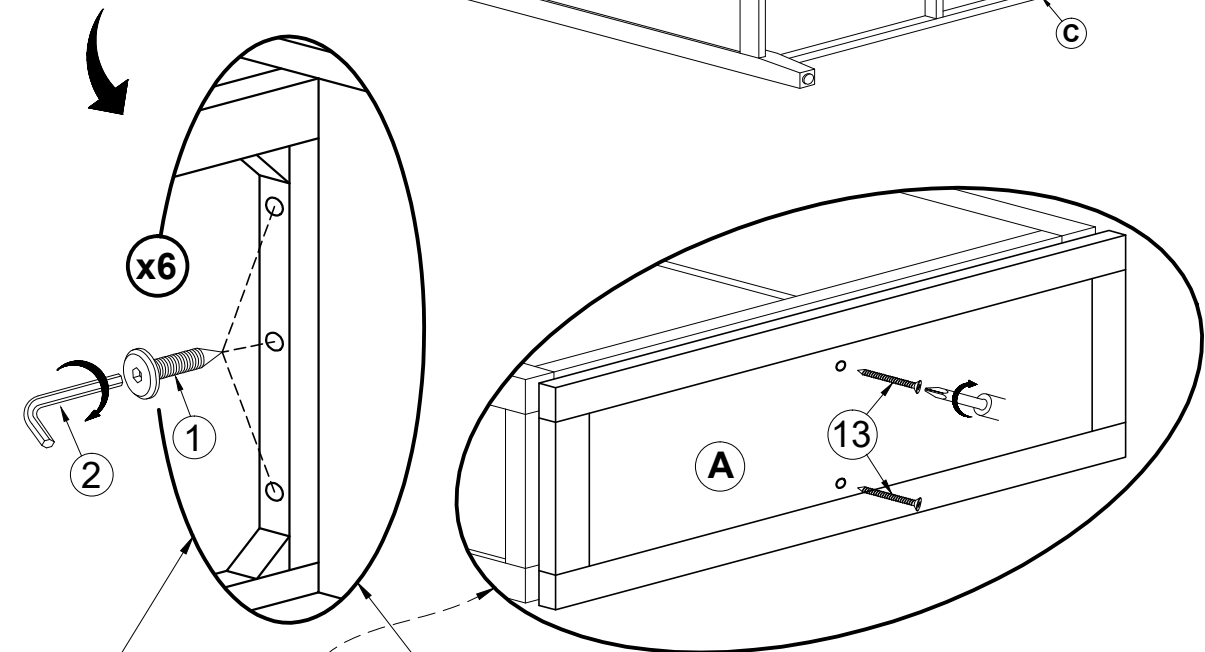
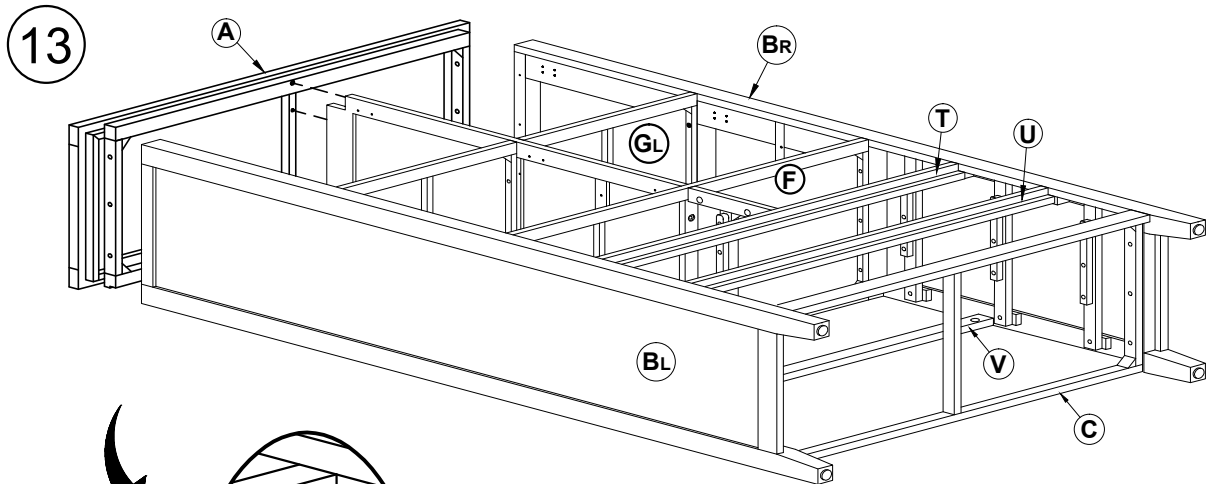
12



BANAK

AVELIN

AL-0009B-A-2

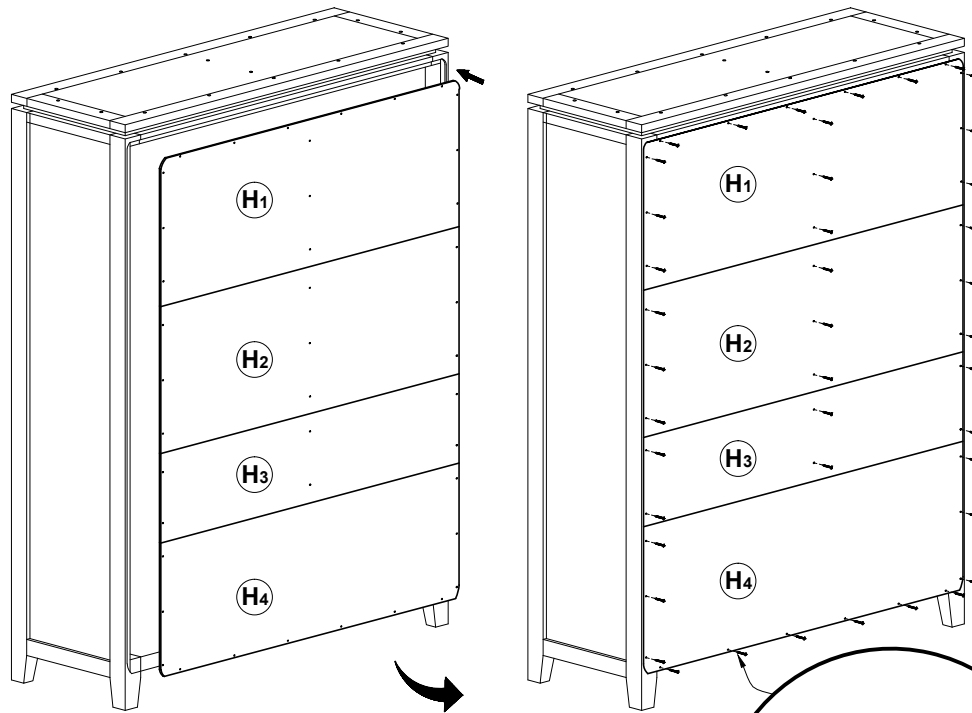


BANAK

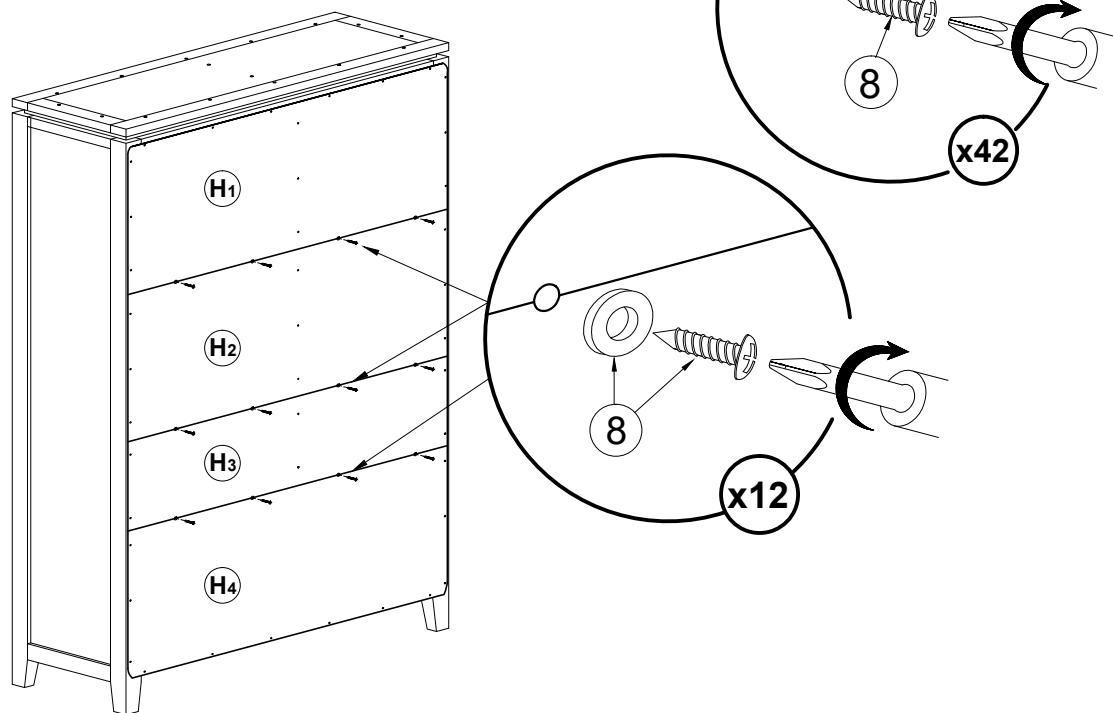
AVELIN

AL-0009B-A-2

14



15

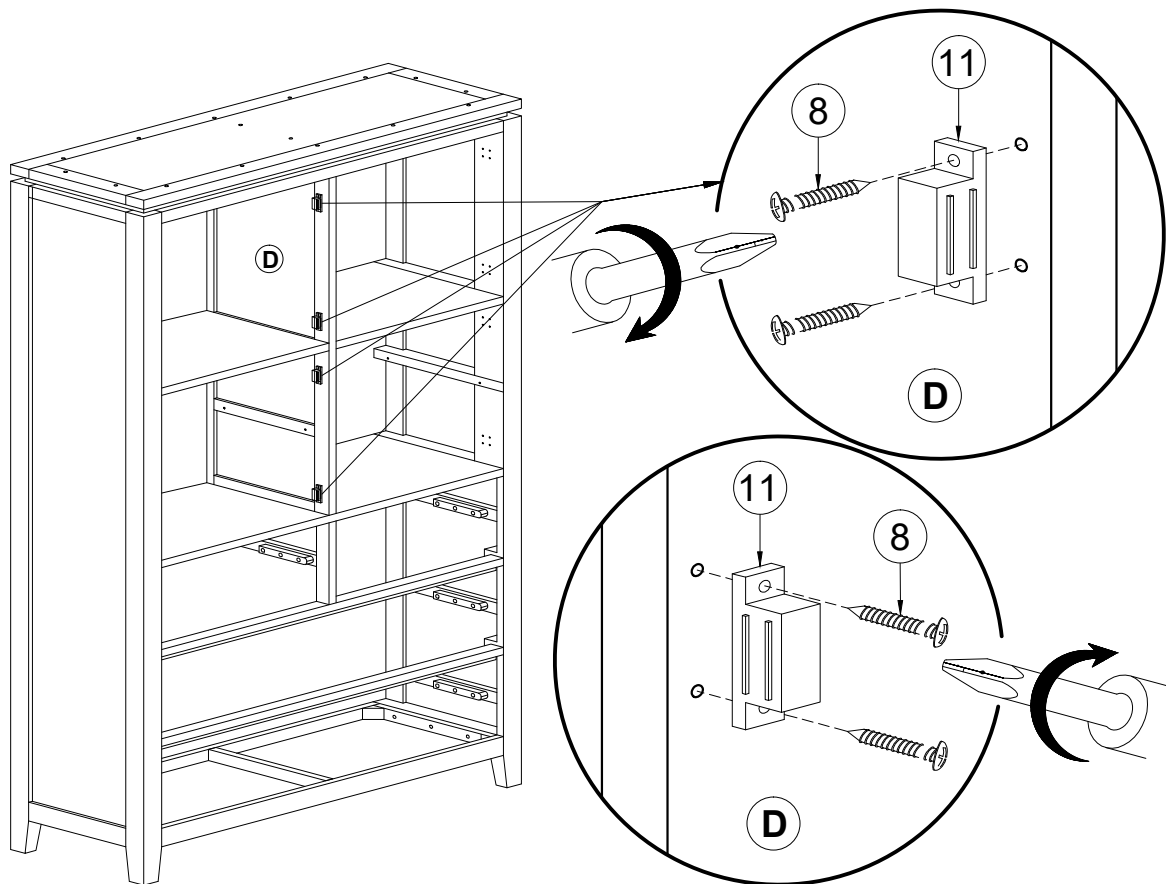


BANAK

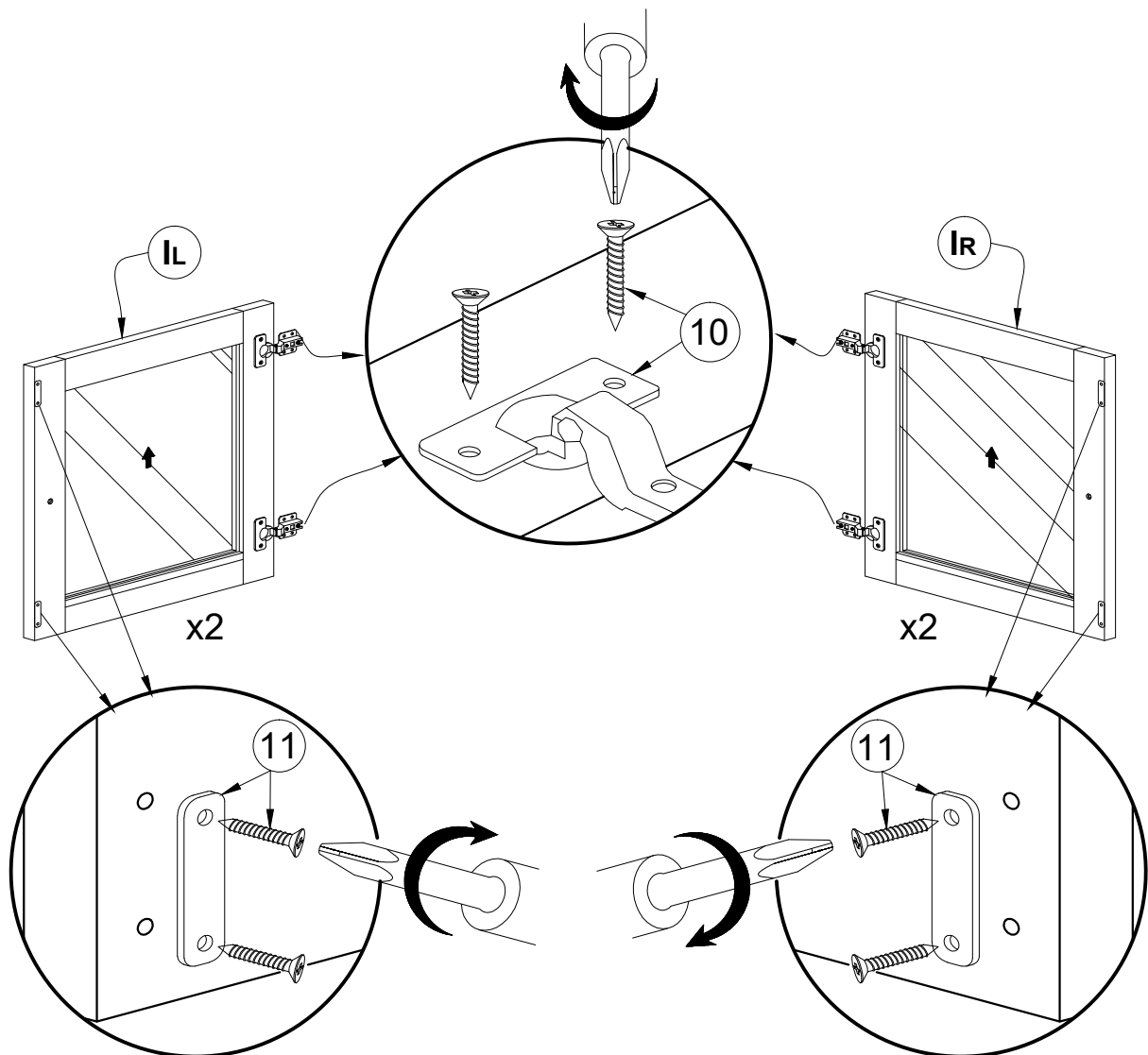
AVELIN

AL-0009B-A-2

15



16

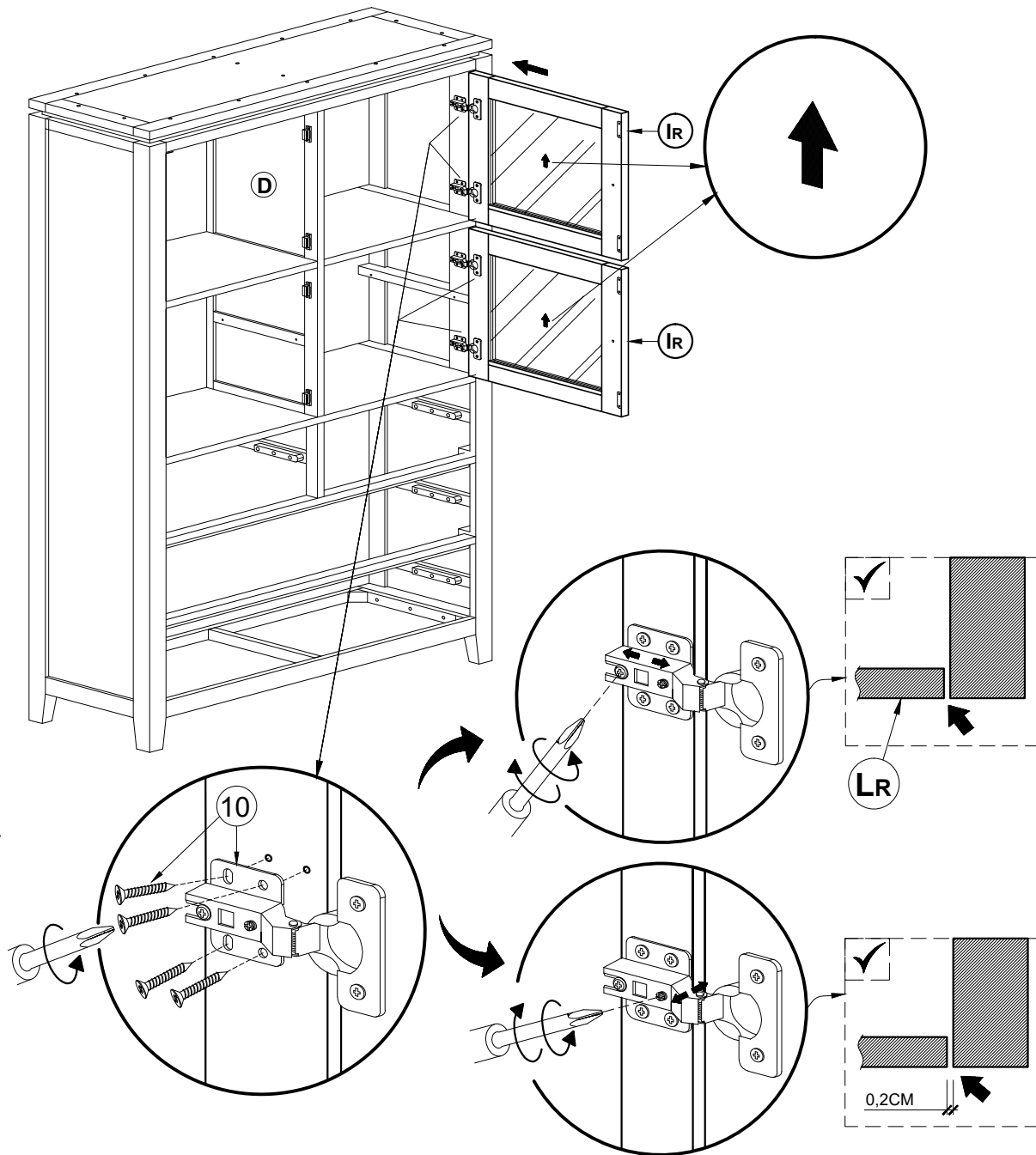


BANAK

AVELIN

AL-0009B-A-2

17

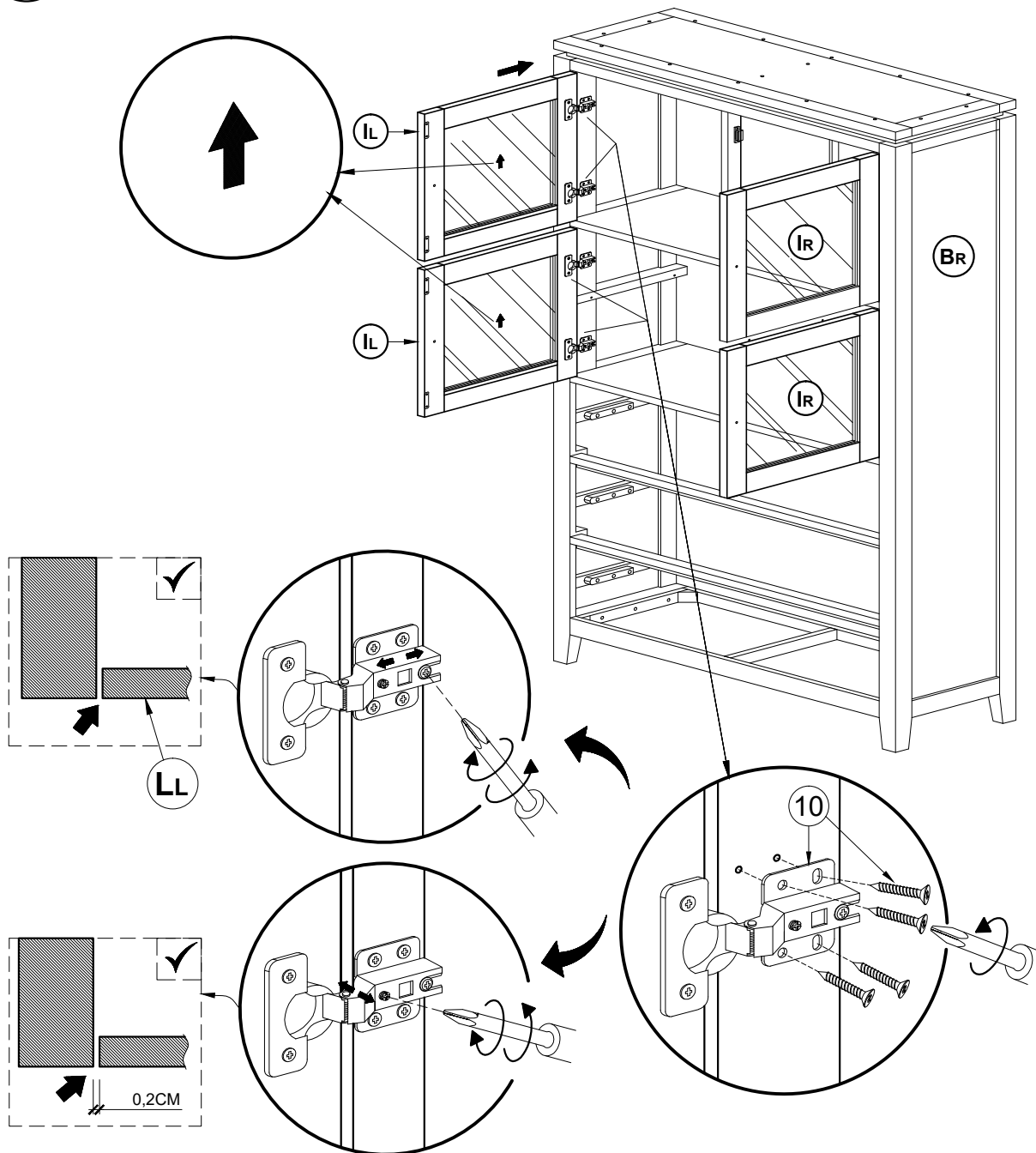


BANAK

AVELIN

AL-0009B-A-2

18

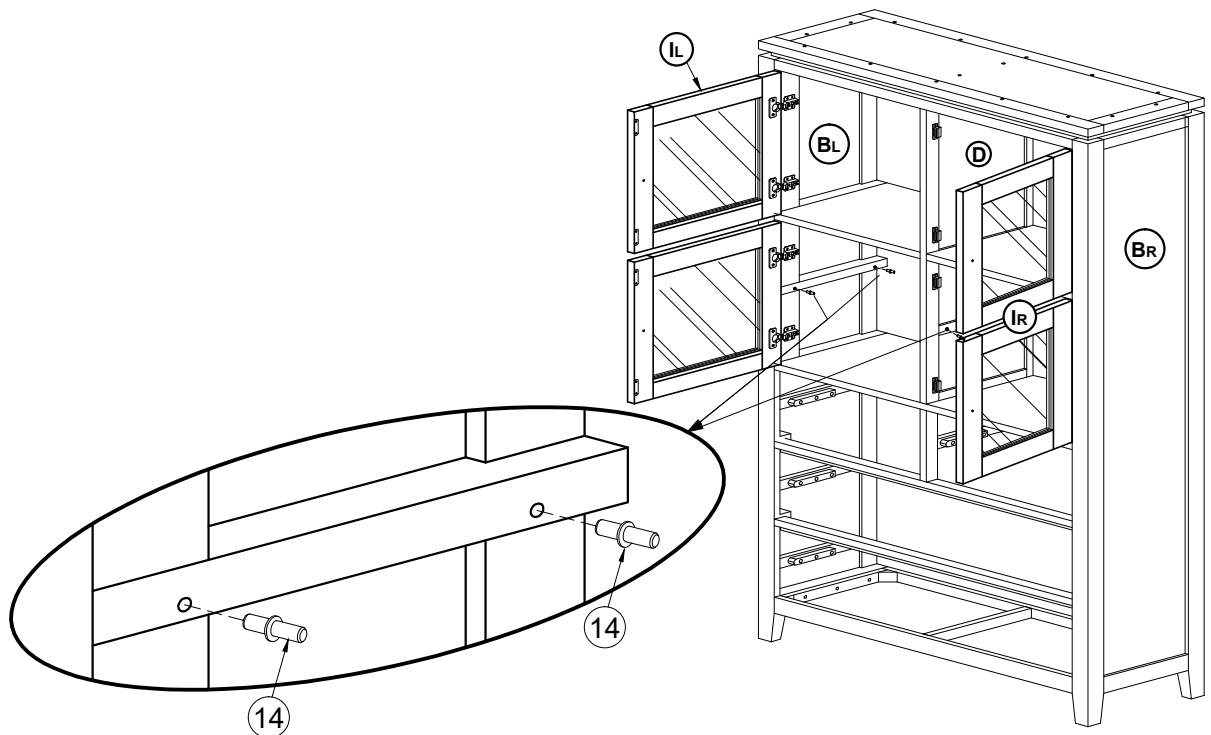
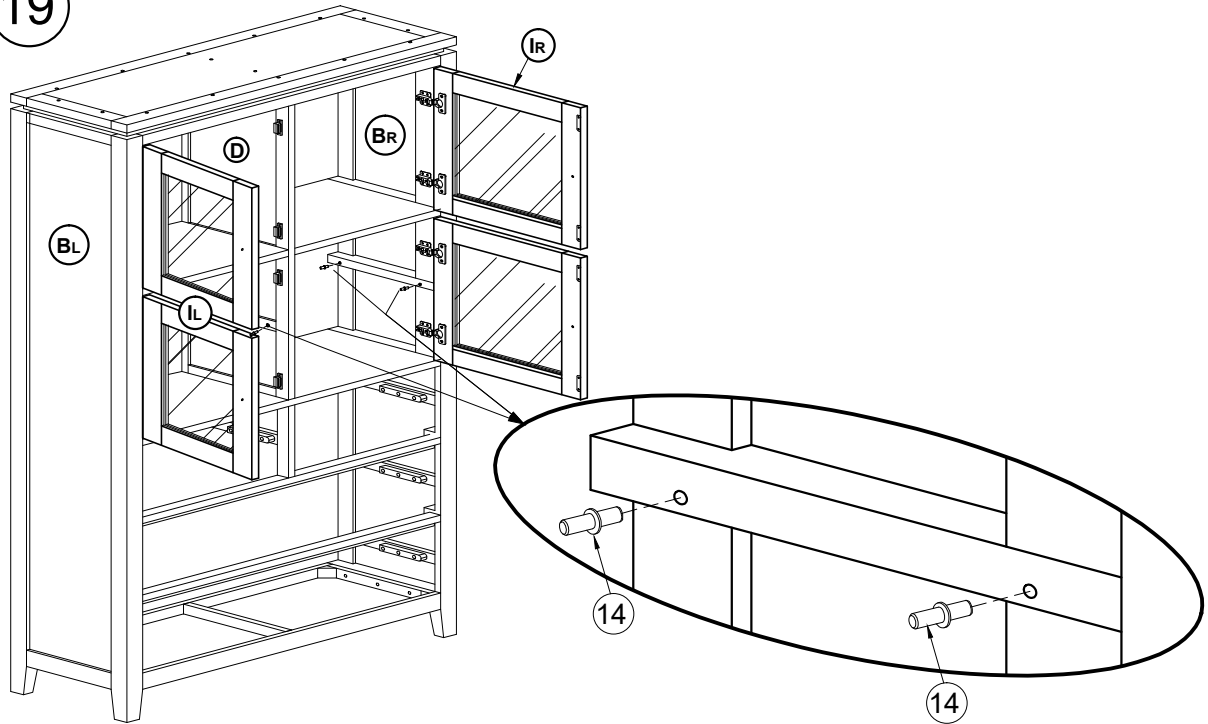


BANAK

AVELIN

AL-0009B-A-2

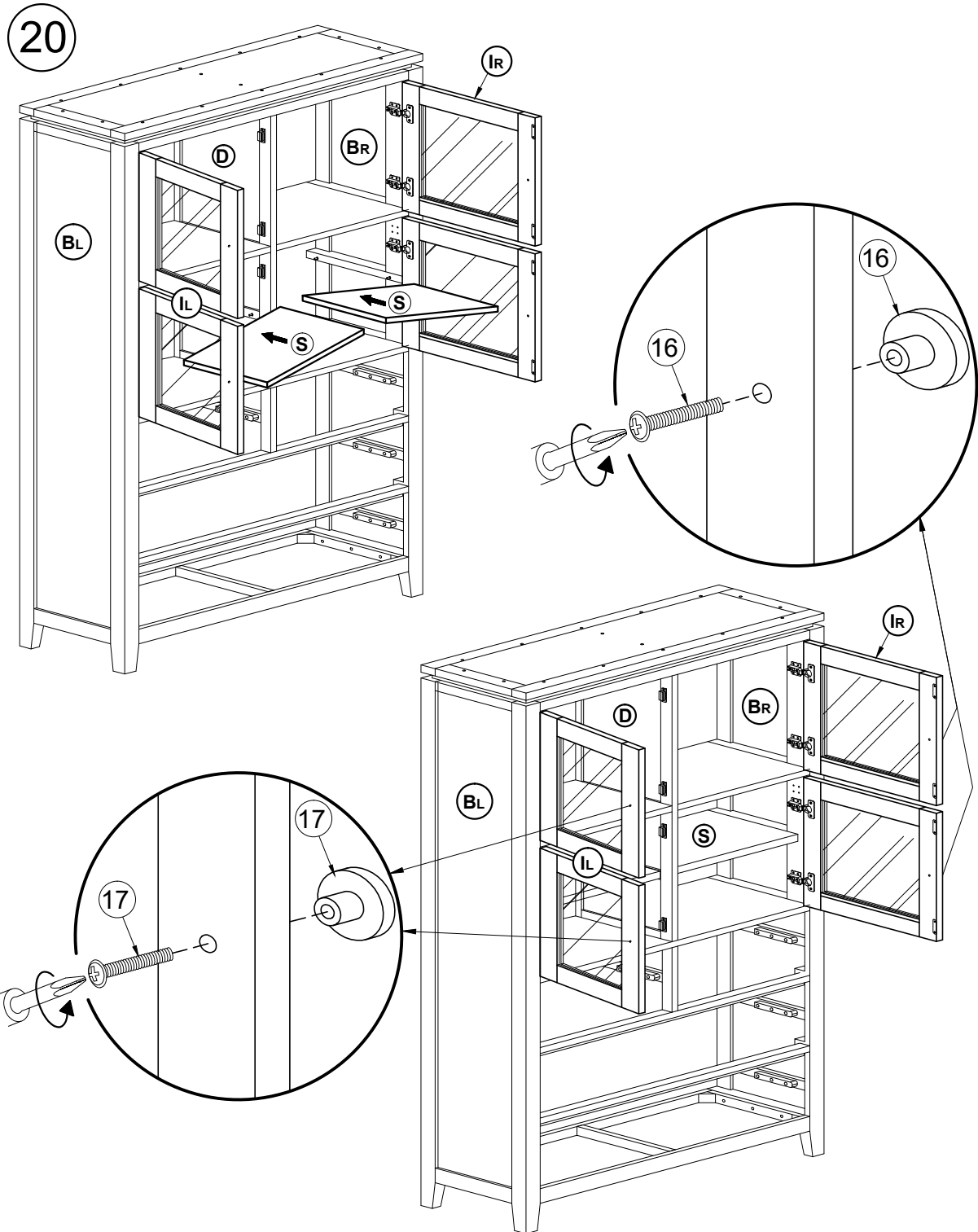
19



BANAK

AVELIN

AL-0009B-A-2

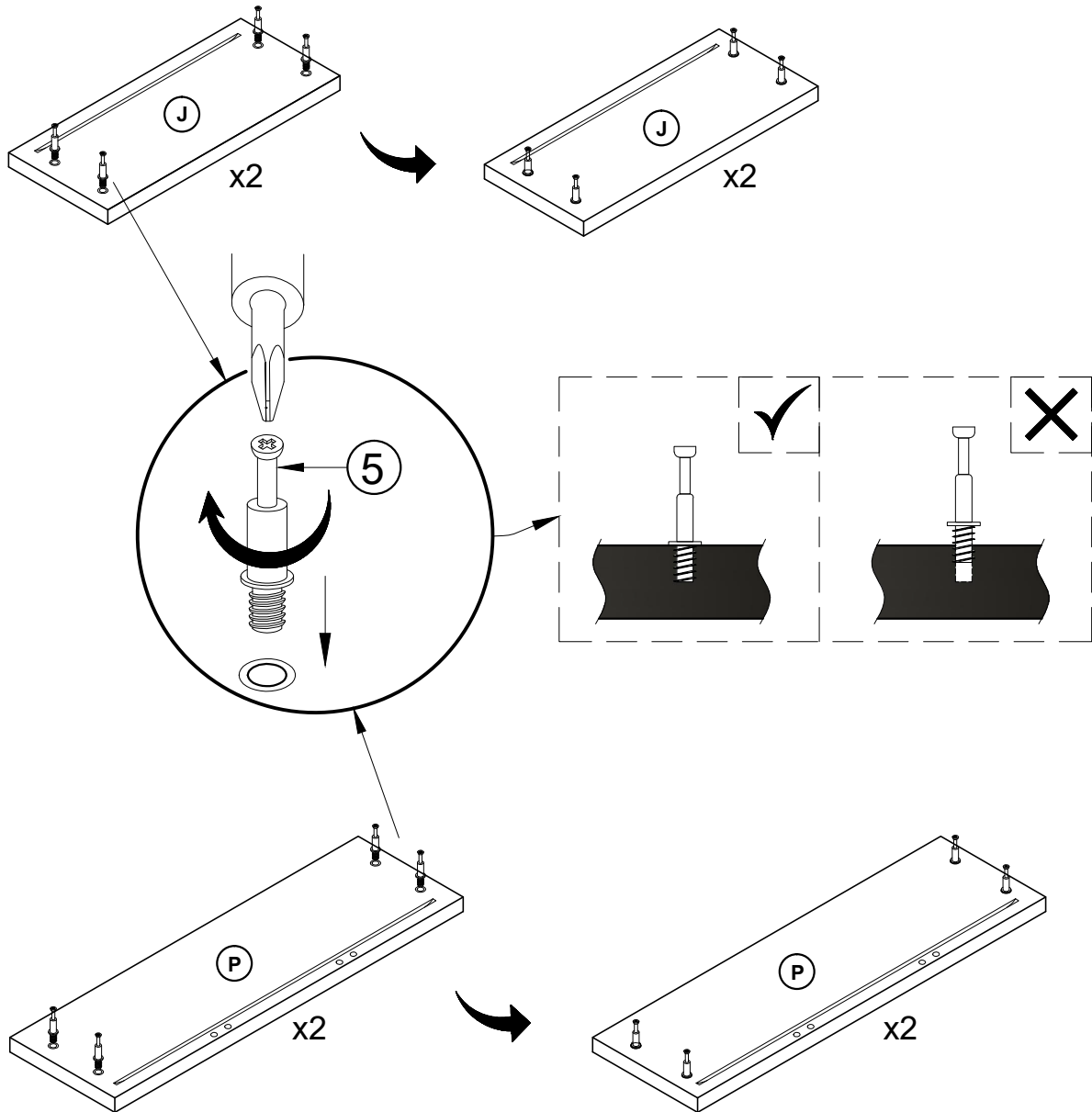


BANAK

AVELIN

AL-0009B-A-2

21

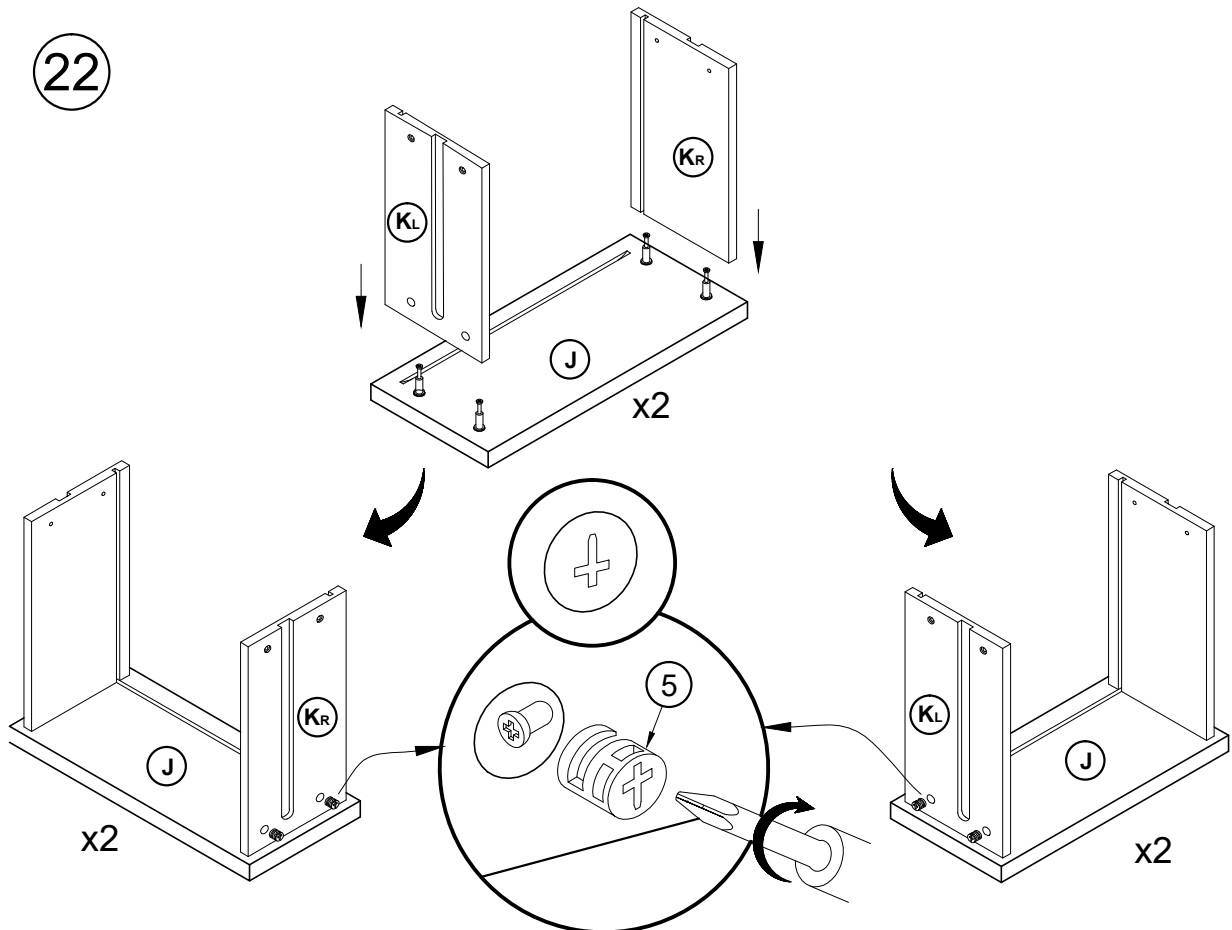


BANAK

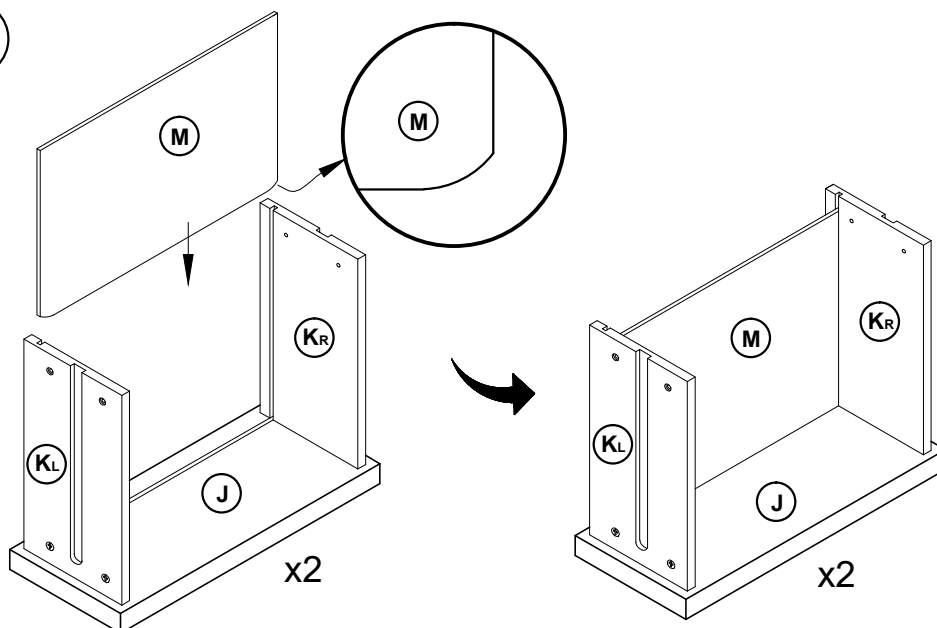
AVELIN

AL-0009B-A-2

22



23

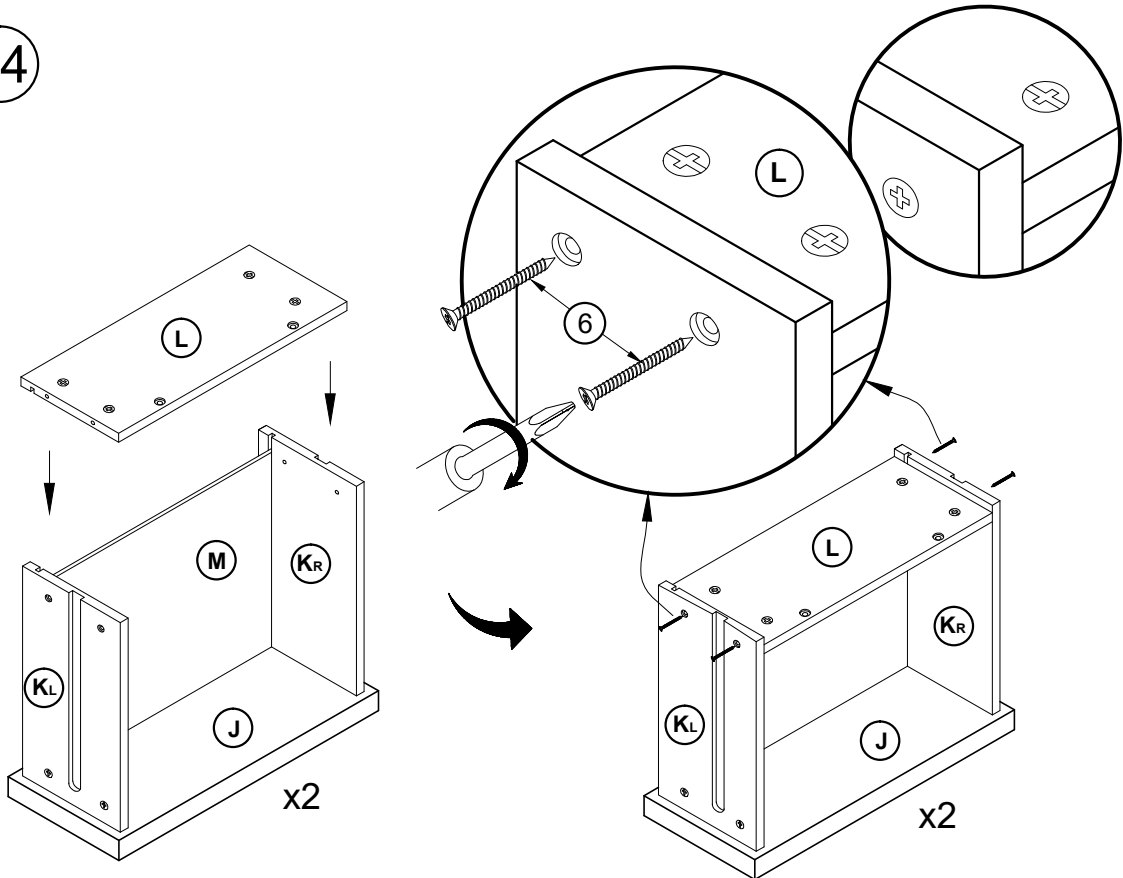


BANAK

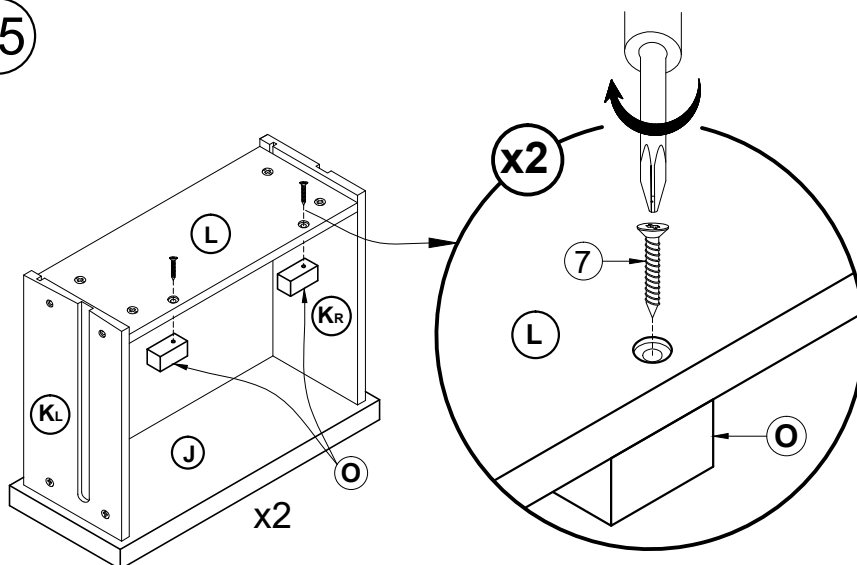
AVELIN

AL-0009B-A-2

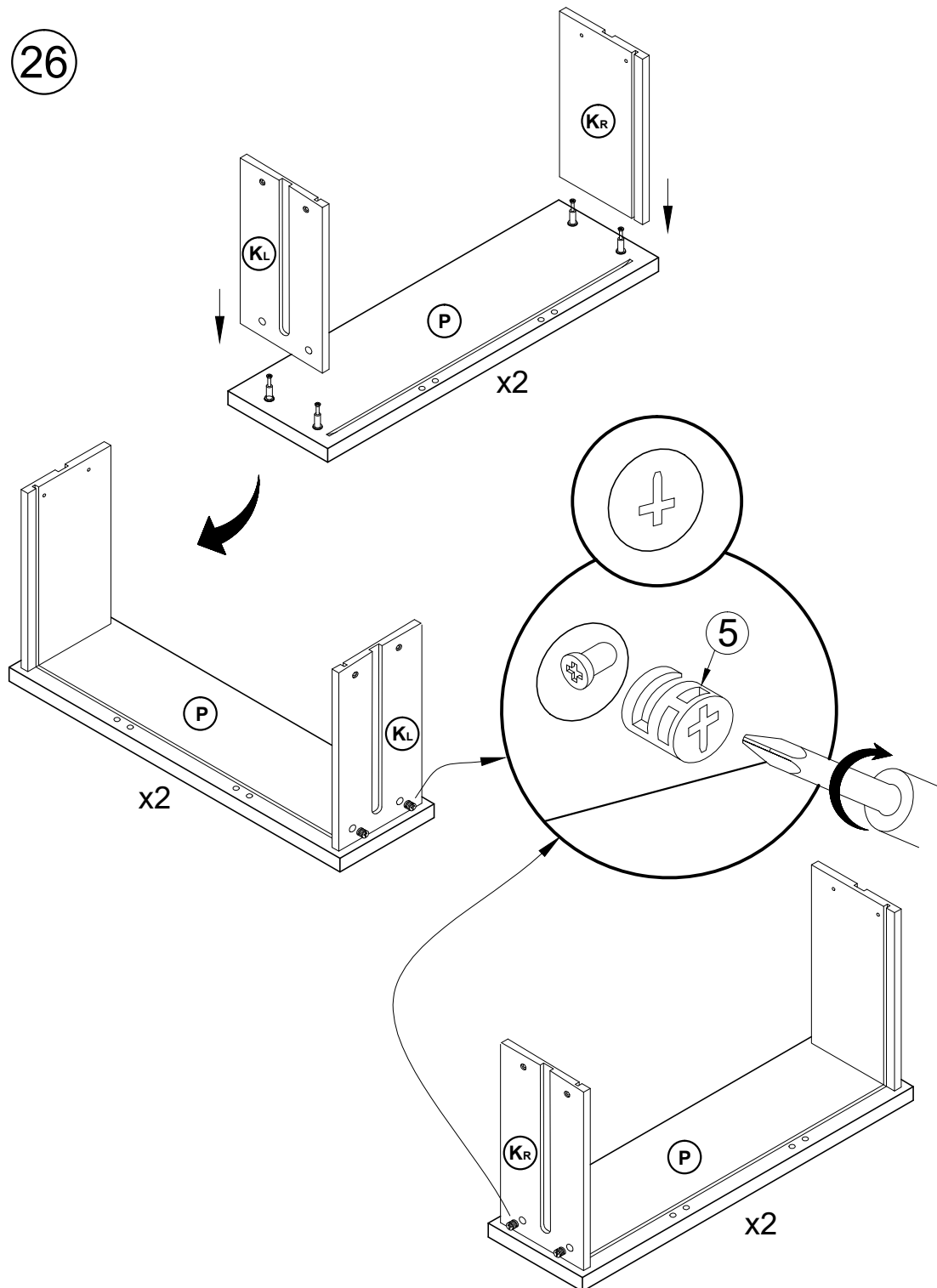
24



25



26

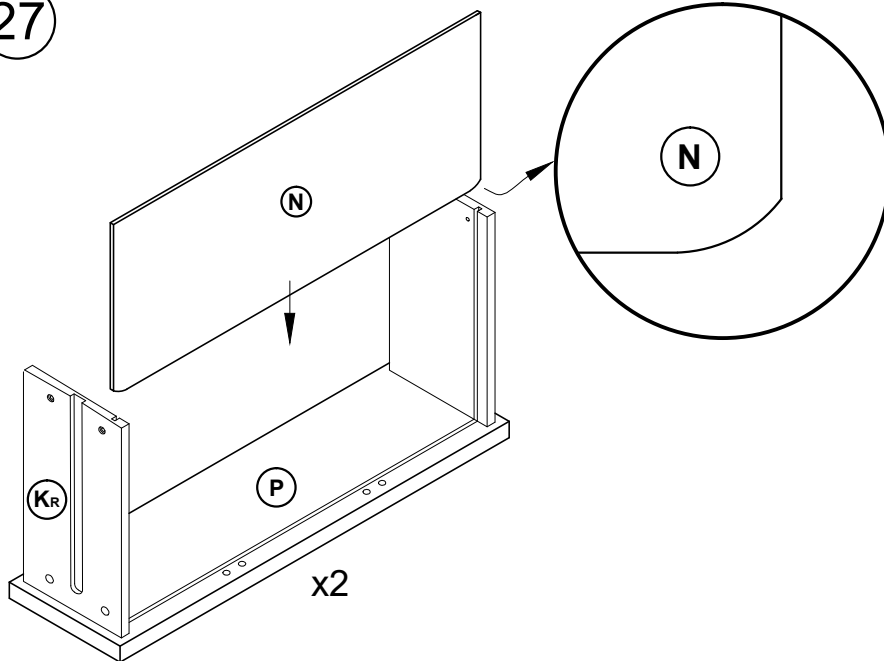


BANAK

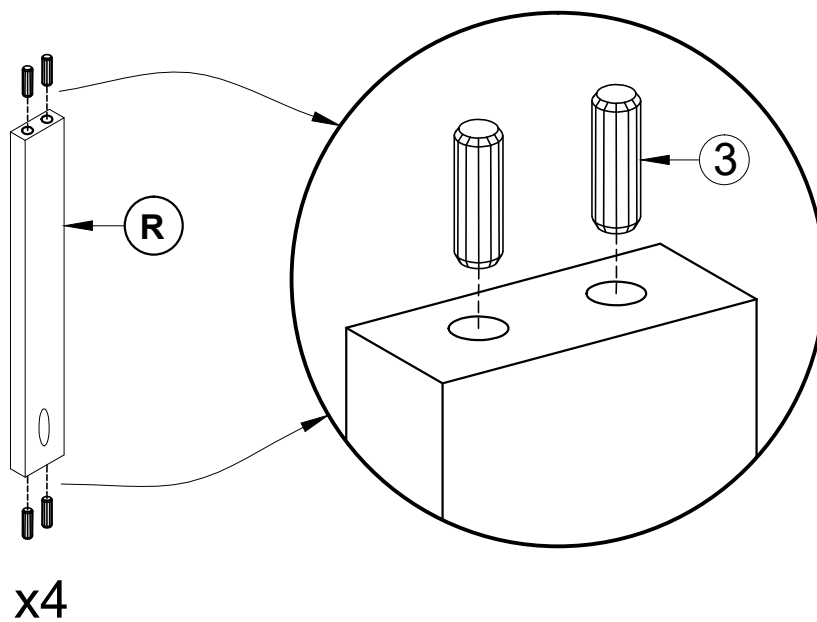
AVELIN

AL-0009B-A-2

27



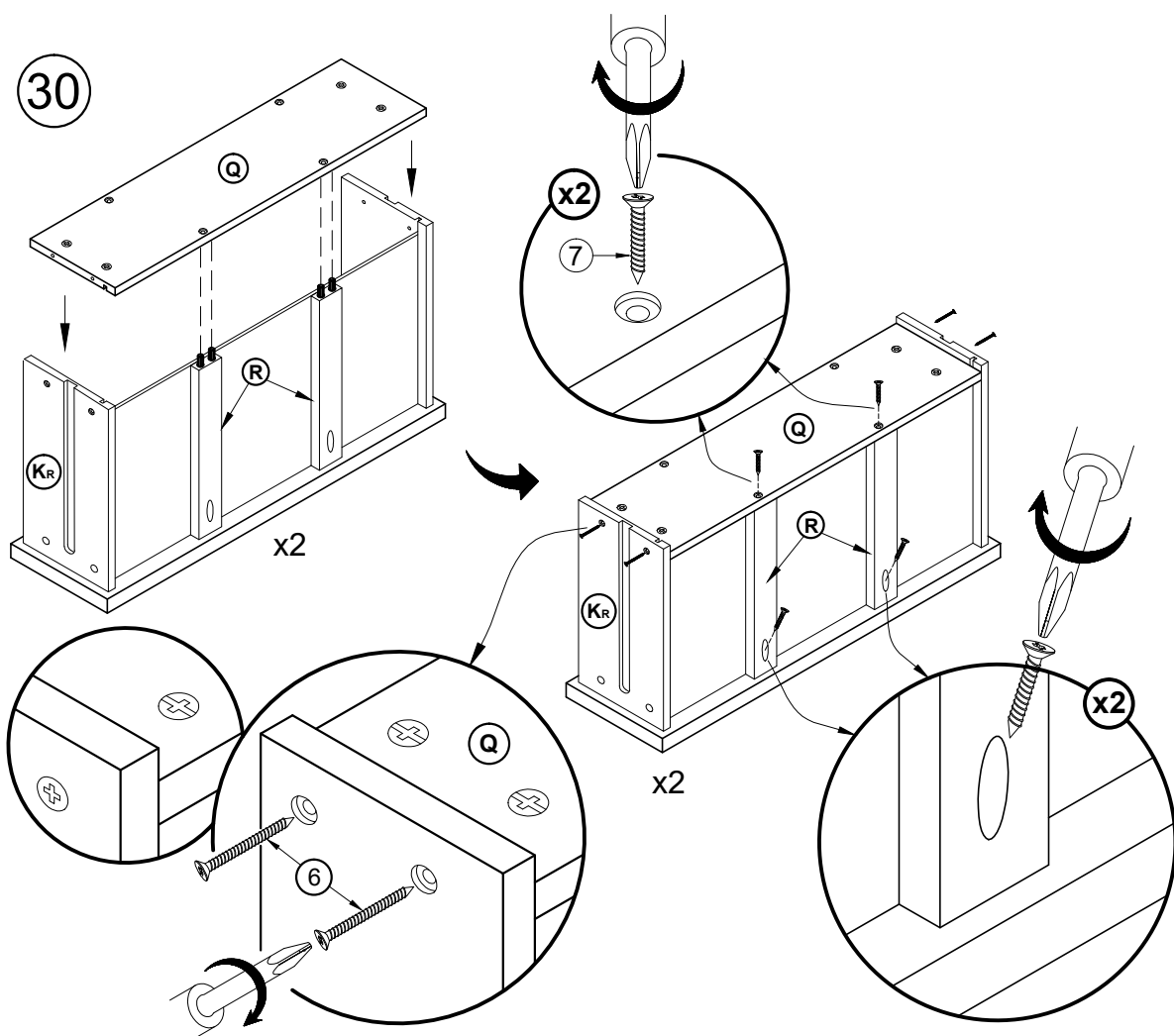
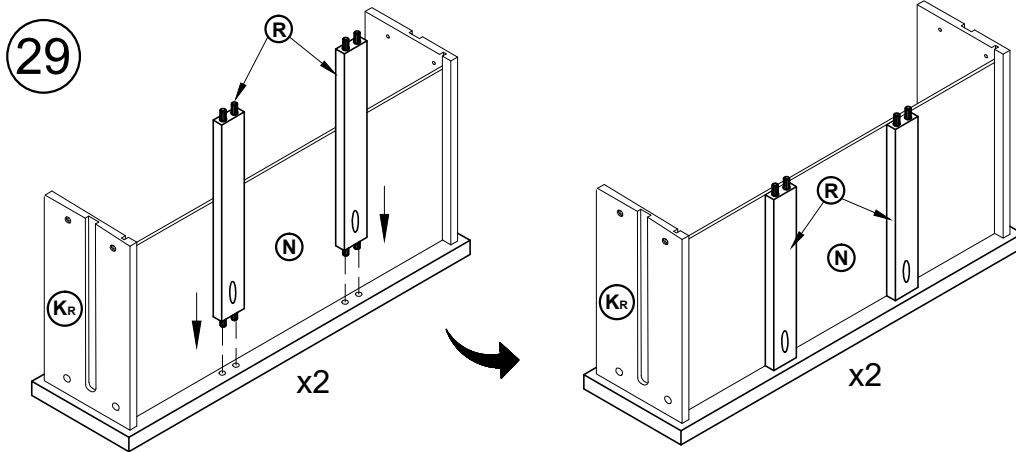
28



BANAK

AVELIN

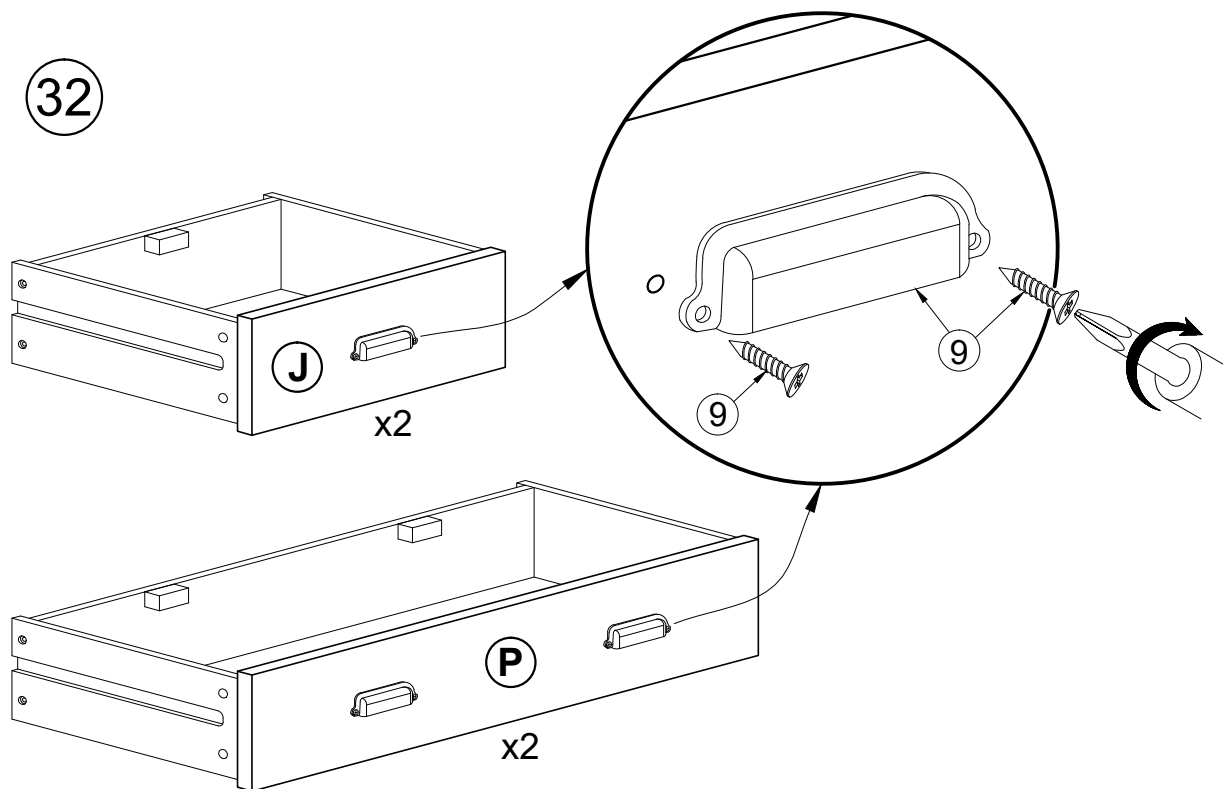
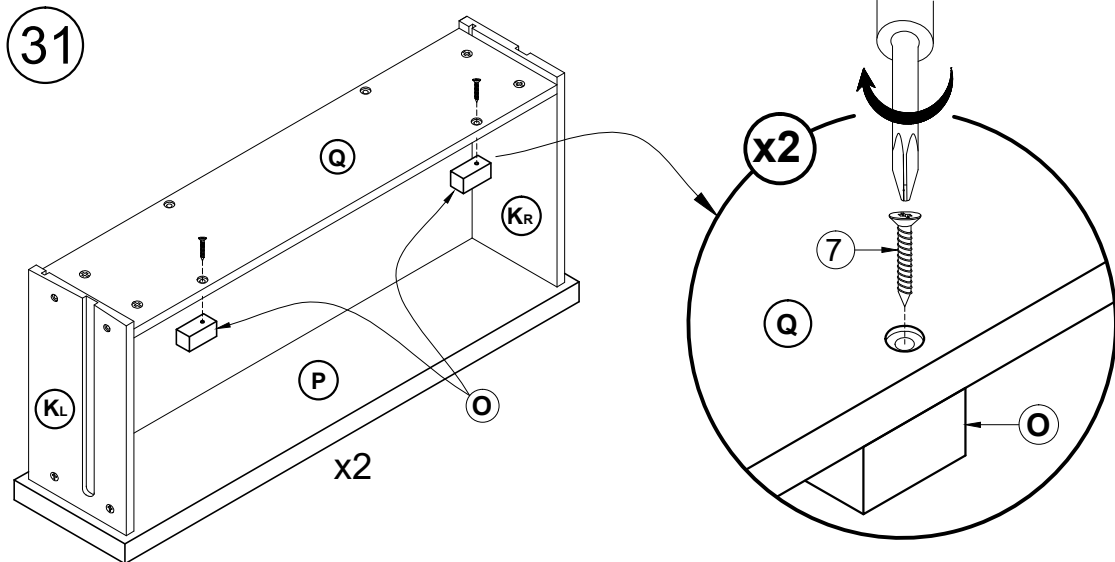
AL-0009B-A-2



BANAK

AVELIN

AL-0009B-A-2

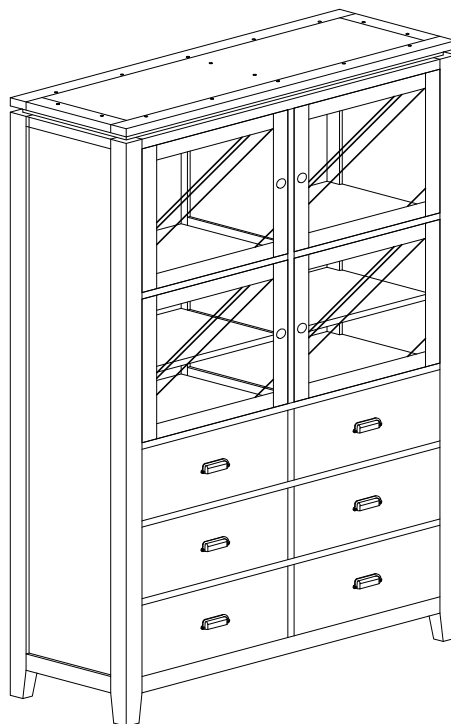
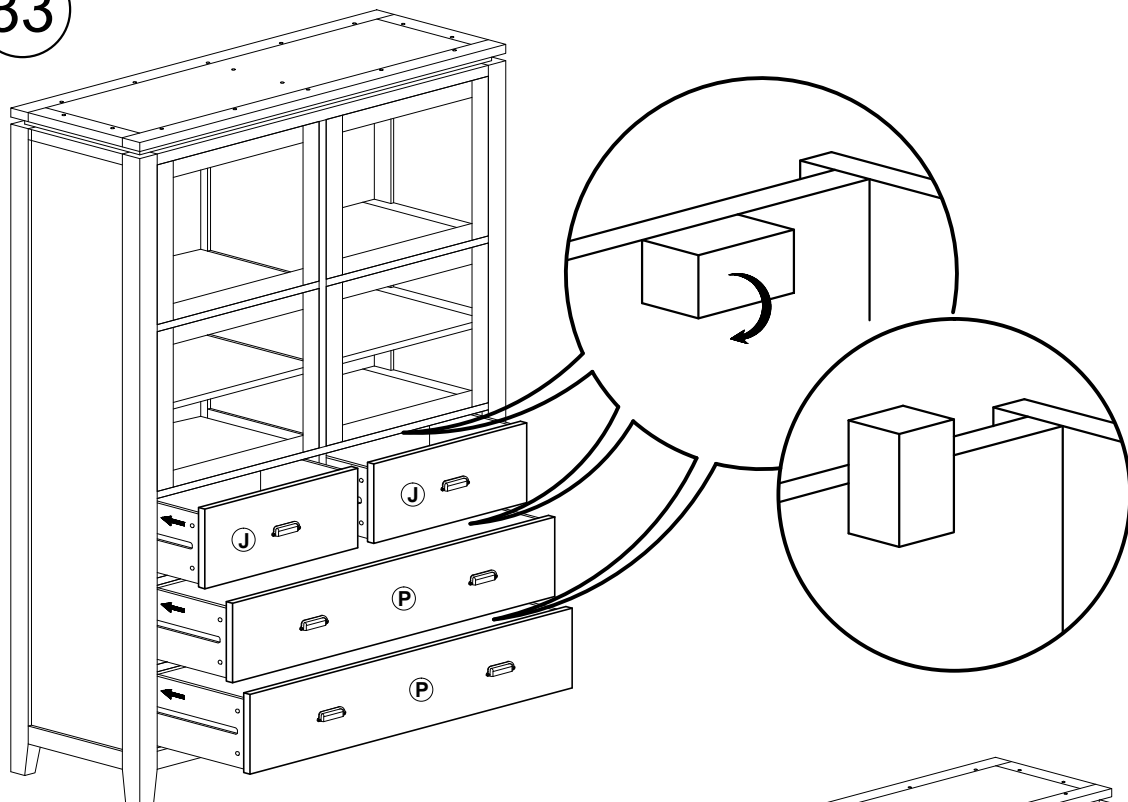


BANAK

AVELIN

AL-0009B-A-2

33



BANAK

AVELIN

AL-0009B-A-2

