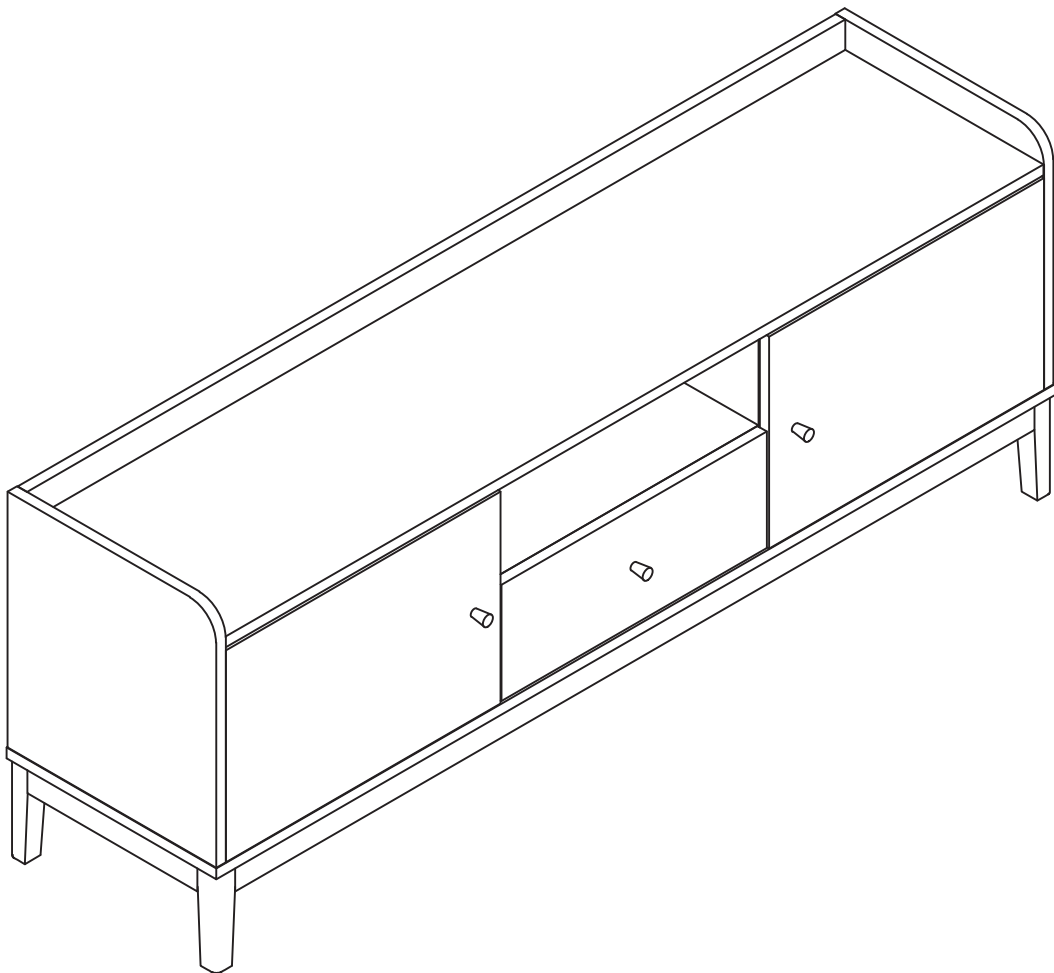


BANAK

BERNA

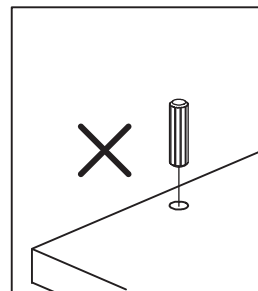
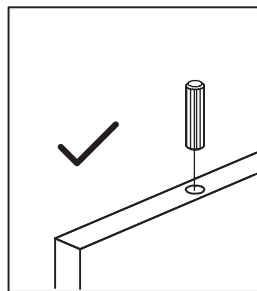
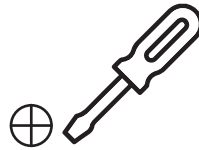
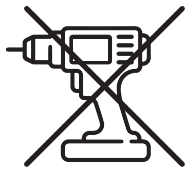
BR-0103BC



BANAK

BERNA

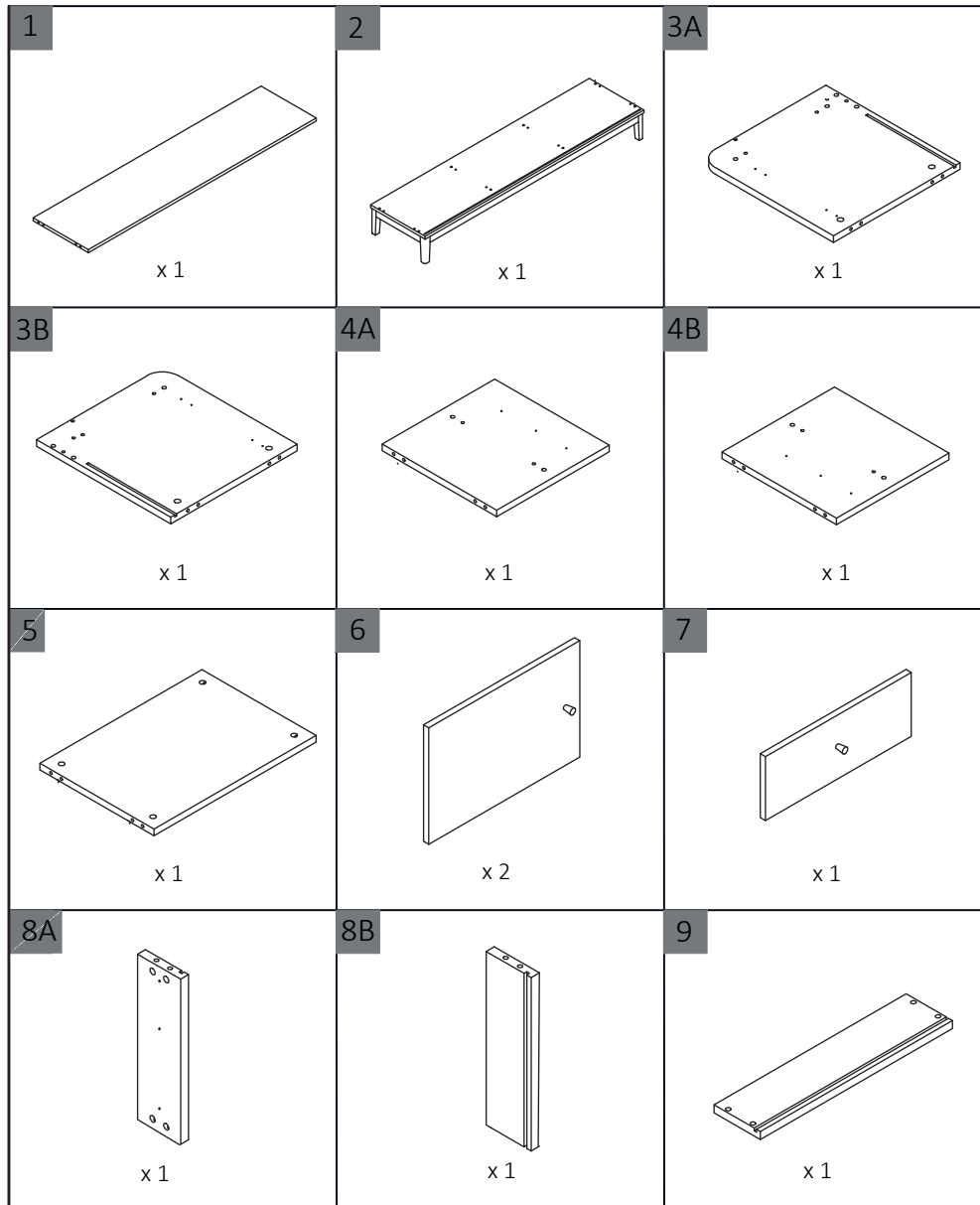
BR-0103BC



BANAK

BERNA

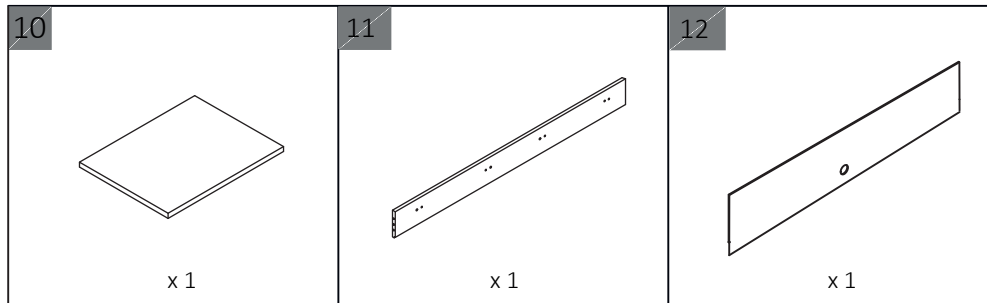
BR-0103BC



BANAK

BERNA

BR-0103BC




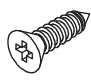






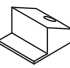

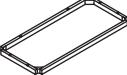



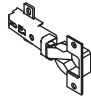


1	1	1562*378*18MM
2	1	1600*400*18MM
3A	1	422*398*18MM
3B	1	422*398*18MM
4A	1	360*354*18MM
4B	1	360*354*18MM
5	1	510*360*18MM
6	2	523*350*18MM
7	1	506*192*18MM
8A	1	332*100*18MM
8B	1	332*100*18MM
9	1	489*100*18MM
10	1	463*342*5MM
11	1	1560*150*18MM
12	1	1570*282*5MM

BANAK

BERNA

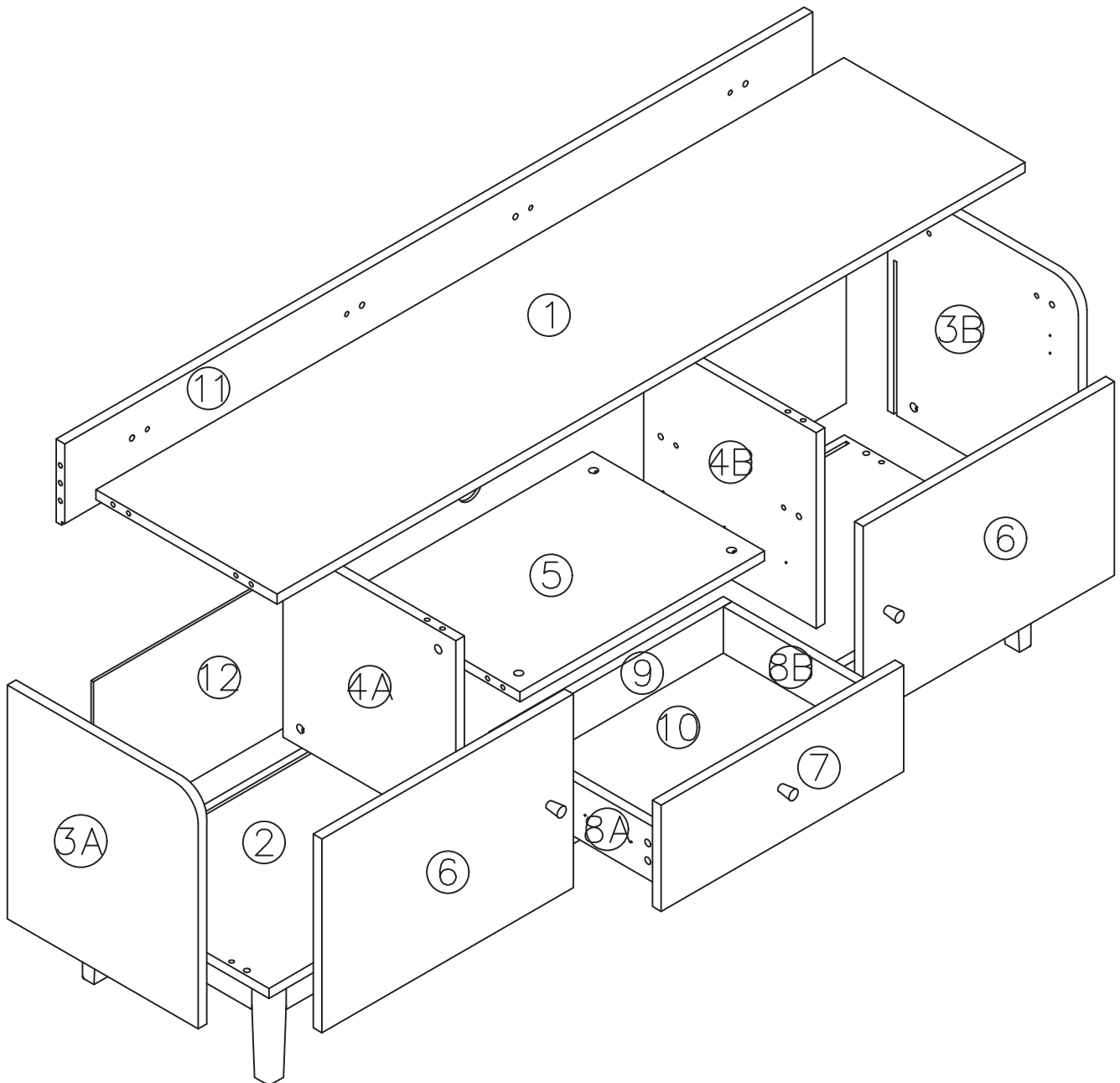
BR-0103BC

 φ15*12 AX28	 M6*35 BX28	 φ8*40 CX26	 M3.5*15 DX41
 M6x45 EX14	 FX14	 GX8	 HX2
 IX3	 JX3	 KX5	 LX1
 MX1	 NX4	 OX14	 PX8
 QX4			

BANAK

BERNA

BR-0103BC

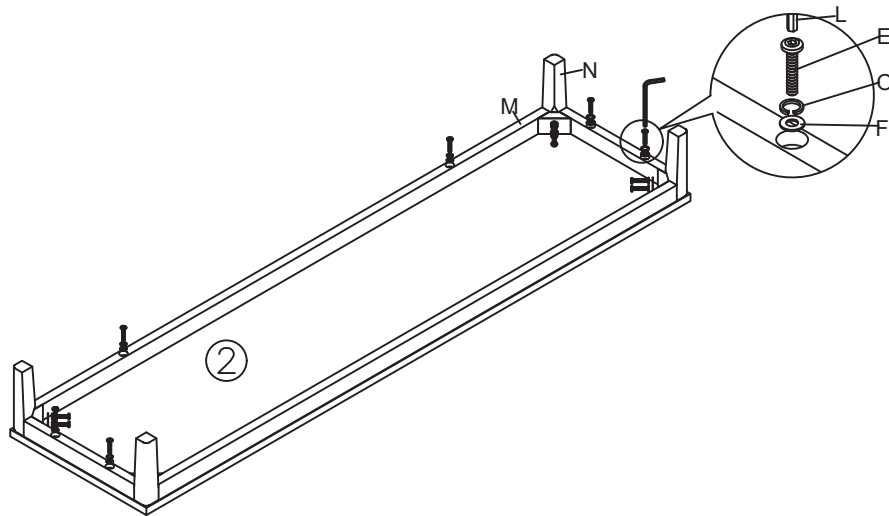
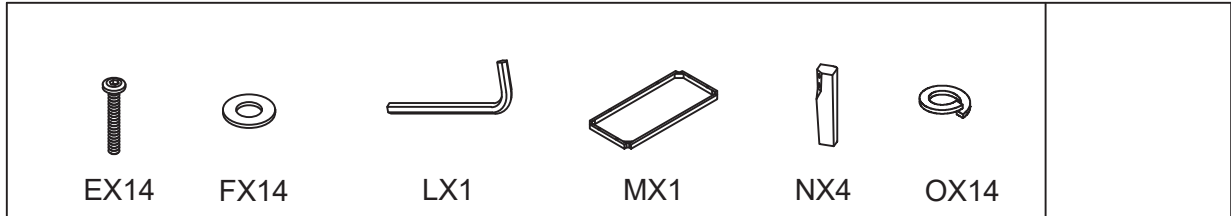


BANAK

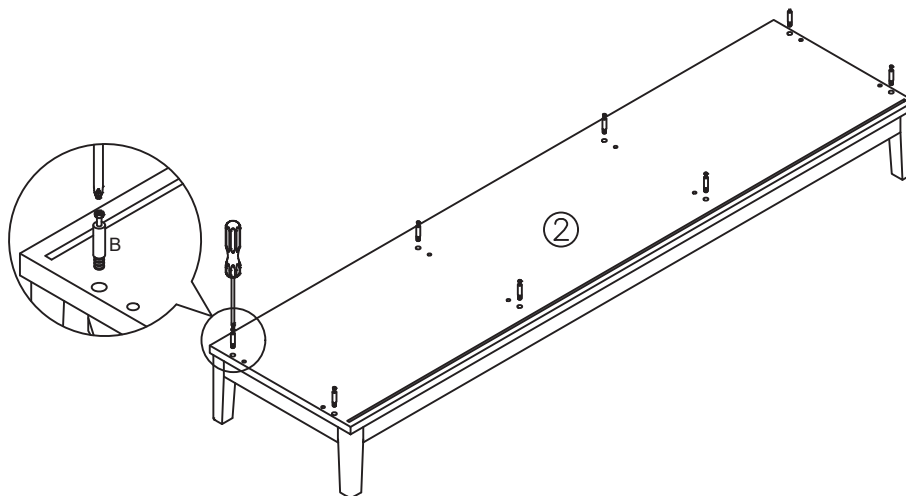
BERNA

BR-0103BC

1



2

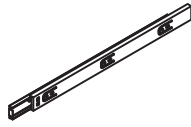


BANAK

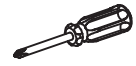
BERNA

BR-0103BC

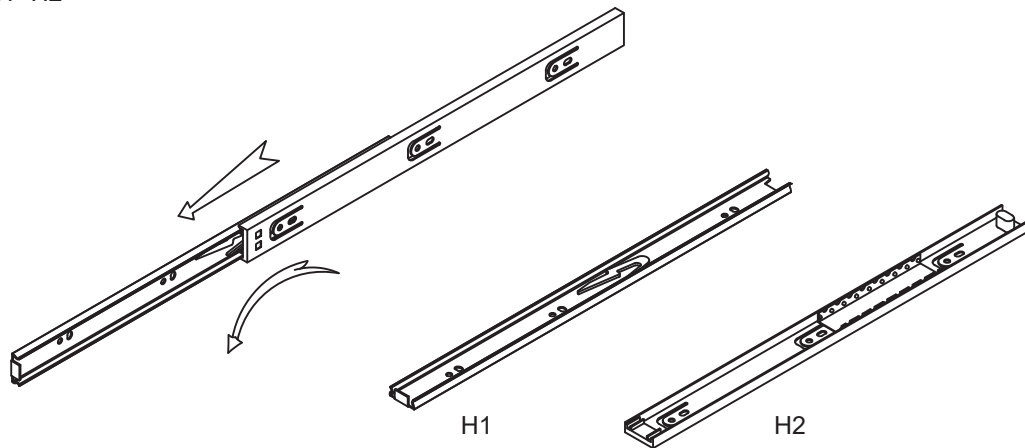
3



HX2



$H=H1+H2$



H1

H2

4



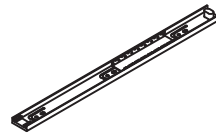
BX12



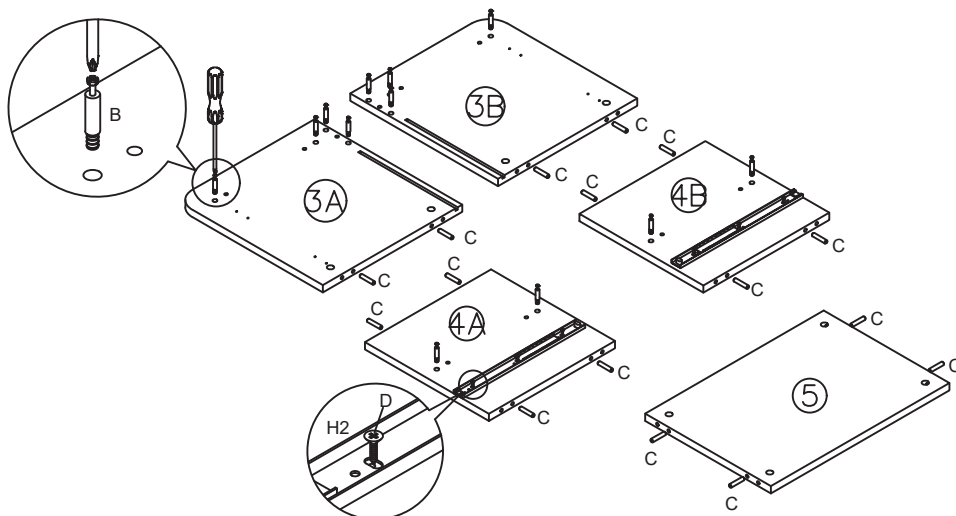
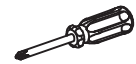
CX16



DX6



H2X2



BANAK

BERNA

BR-0103BC

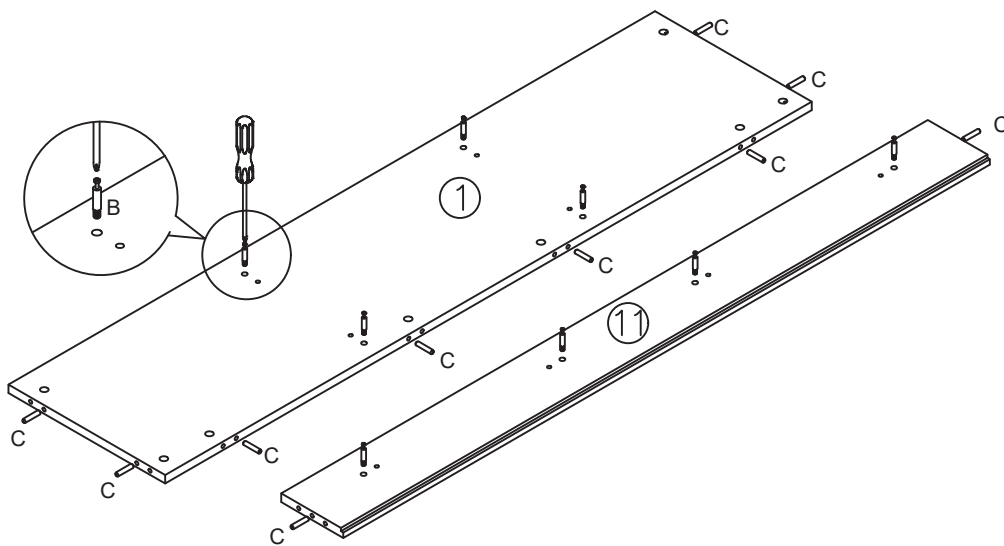
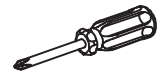
5



BX8



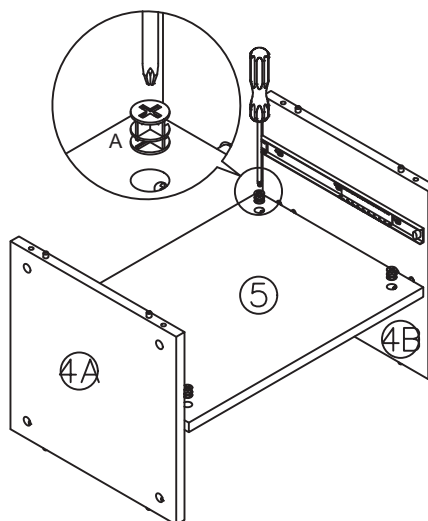
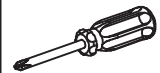
CX10



6



AX4



BANAK

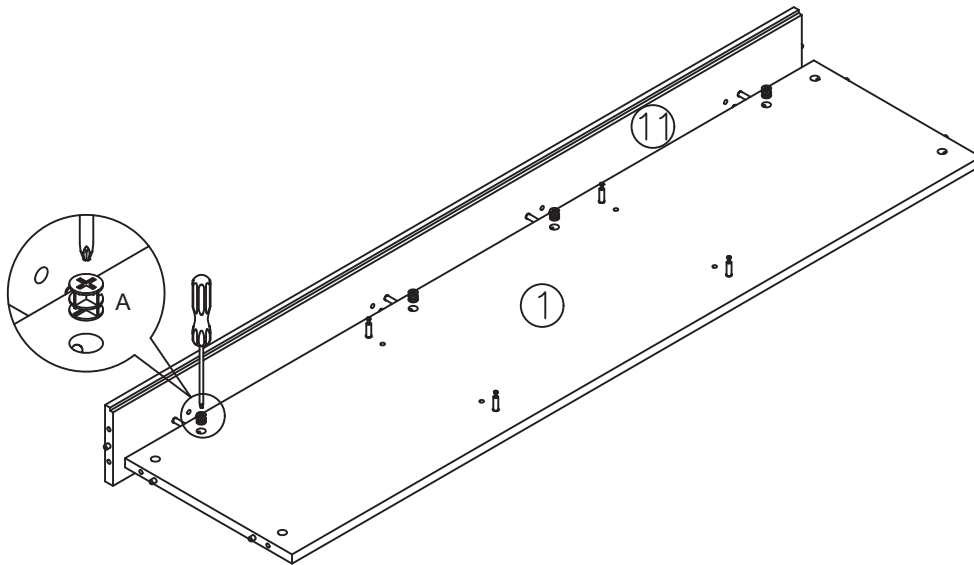
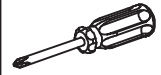
BERNA

BR-0103BC

7



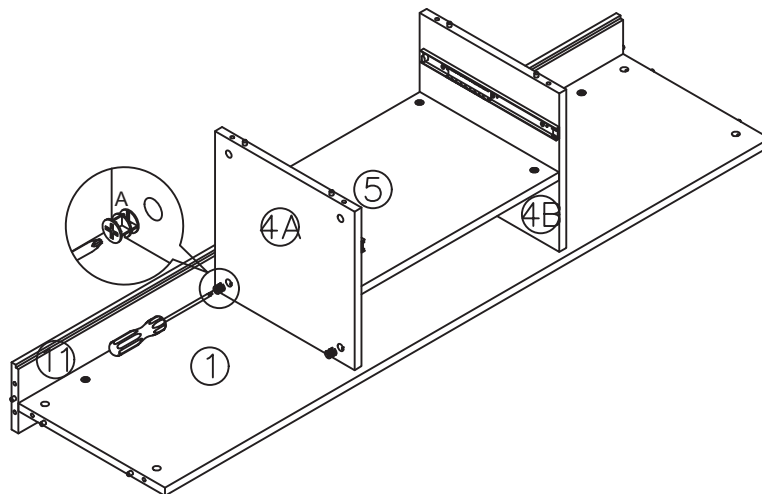
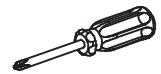
AX4



8



AX4



BANAK

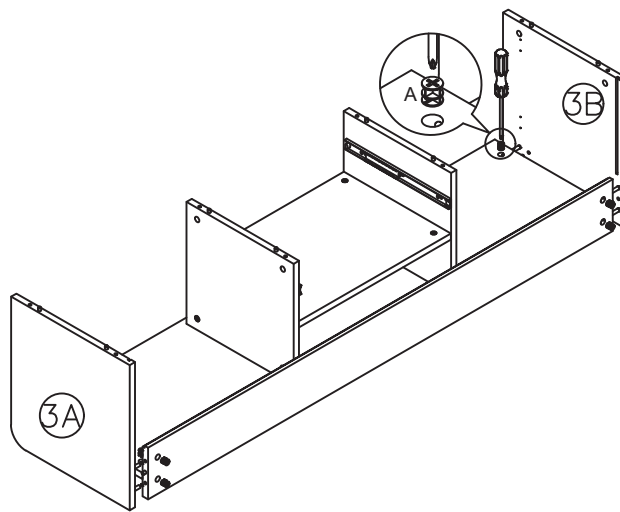
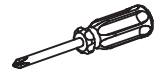
BERNA

BR-0103BC

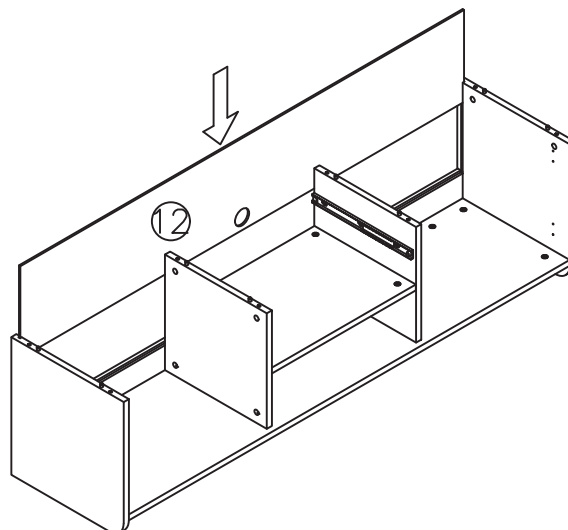
9



AX8



10



BANAK

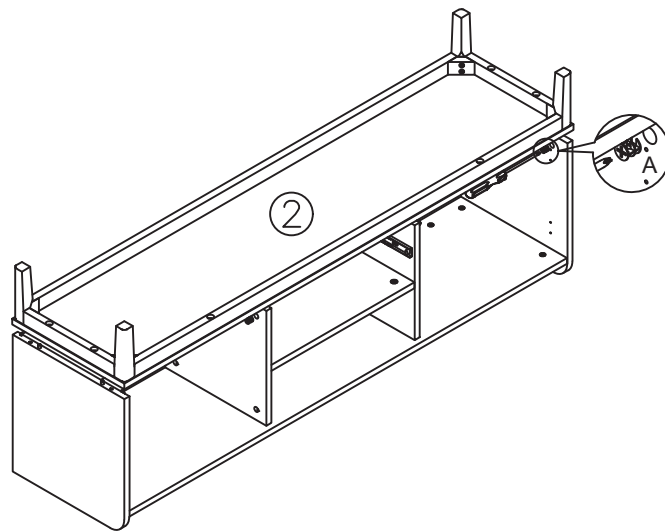
BERNA

BR-0103BC

11



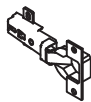
AX8



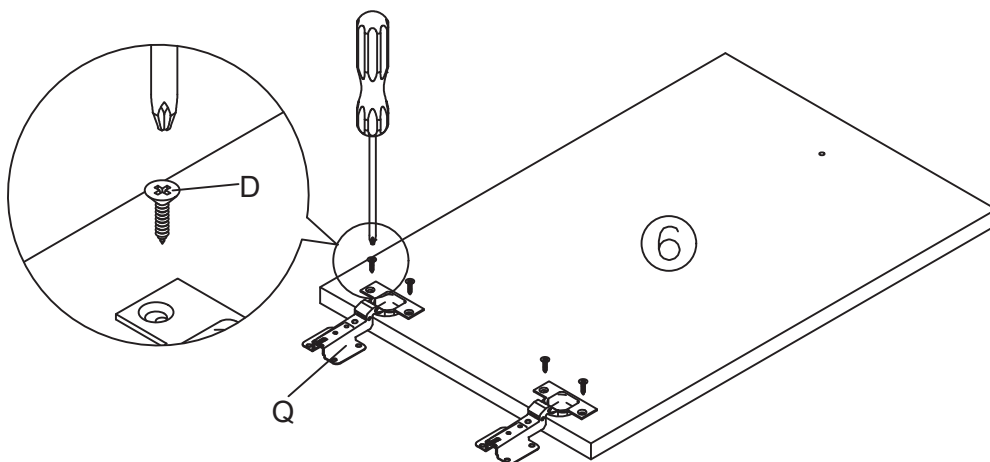
12



Dx8



Qx4



X2

BANAK

BERNA

BR-0103BC

13



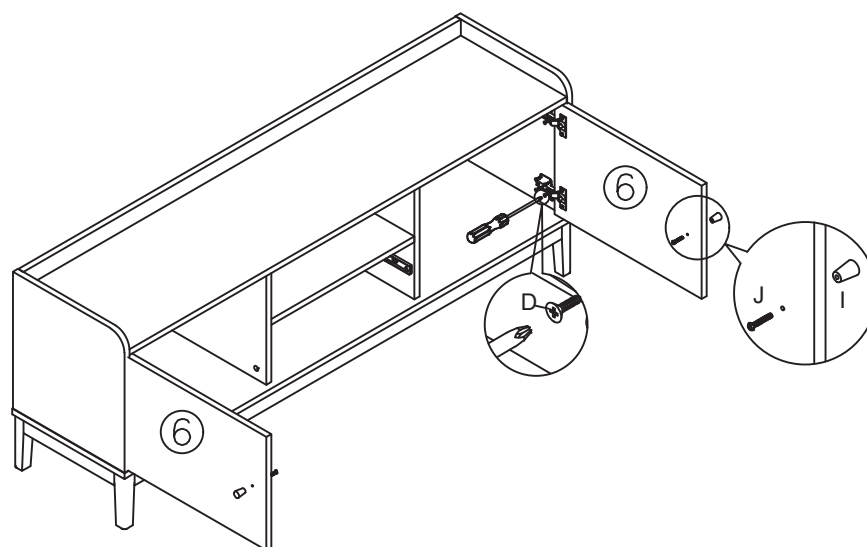
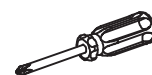
DX16



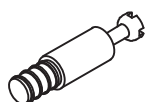
IX2



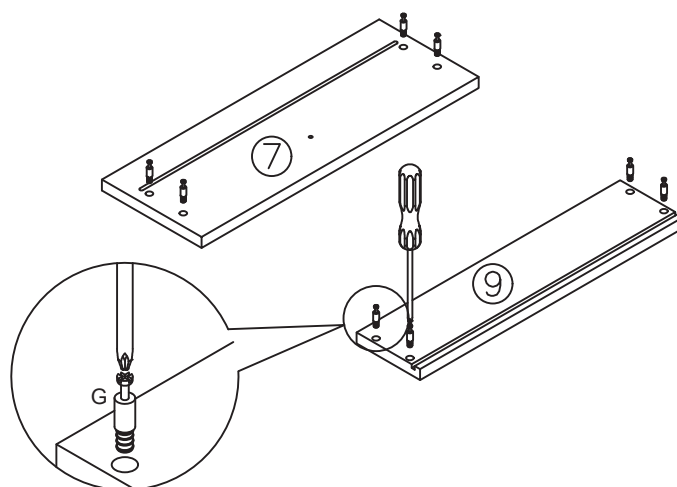
JX2



14



GX8



BANAK

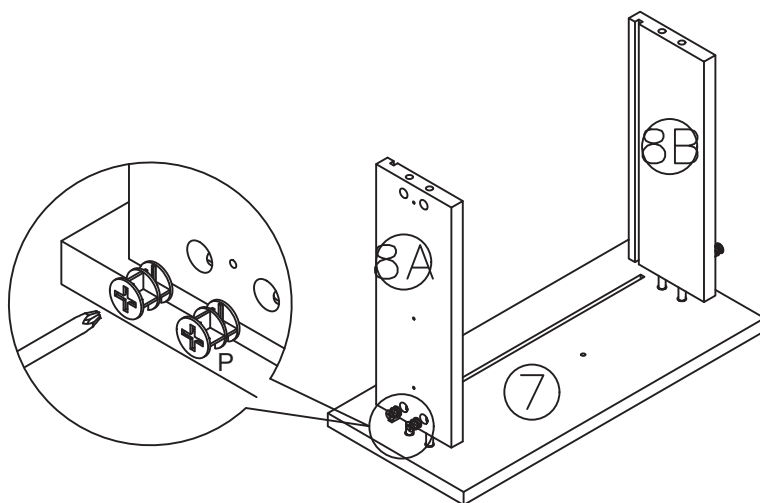
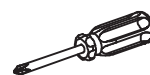
BERNA

BR-0103BC

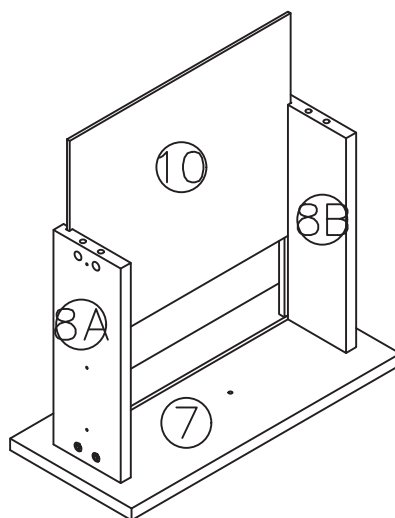
15



PX4



16



BANAK

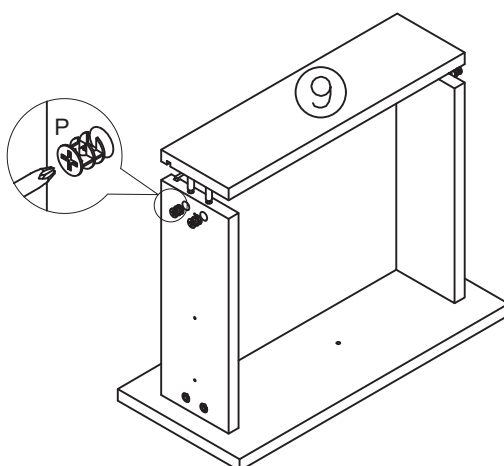
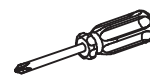
BERNA

BR-0103BC

17



PX4



18



DX6



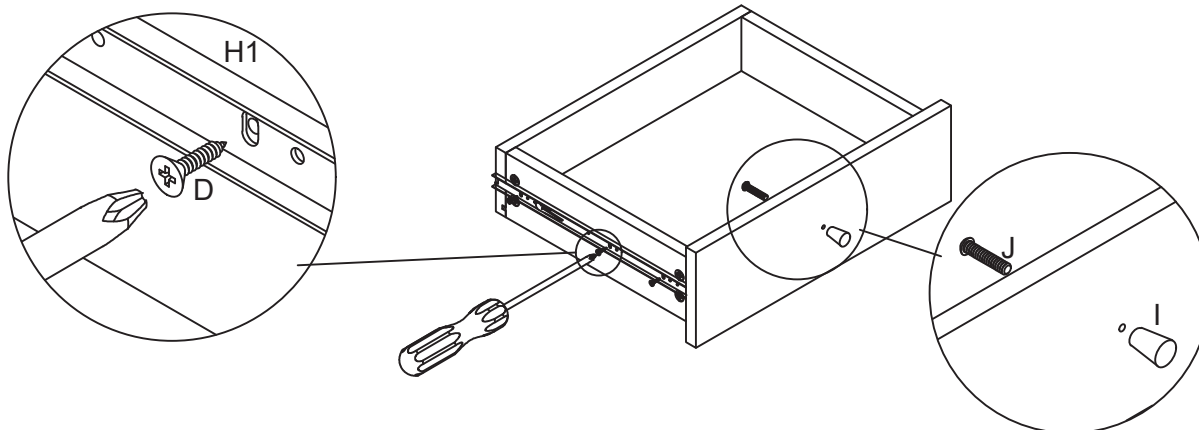
H1X2



IX1



JX1



BANAK

BERNA

BR-0103BC

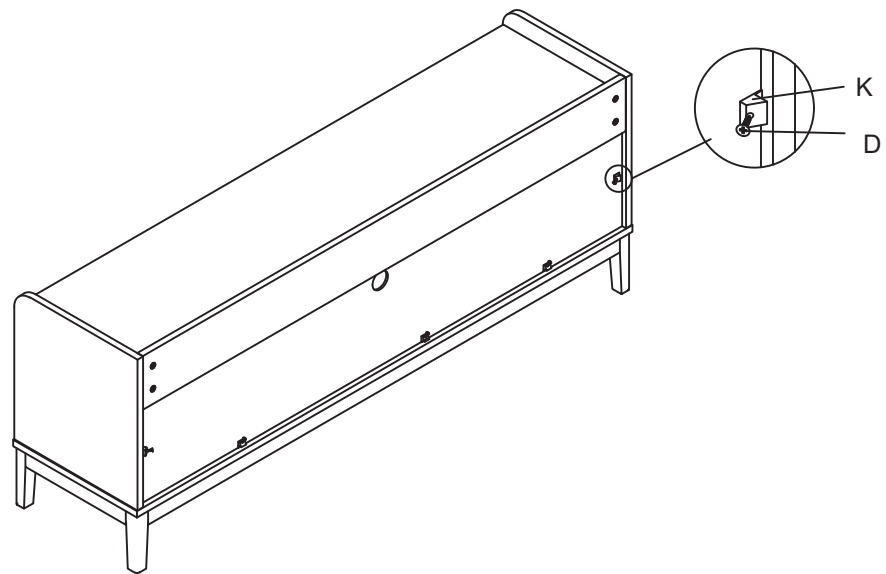
19



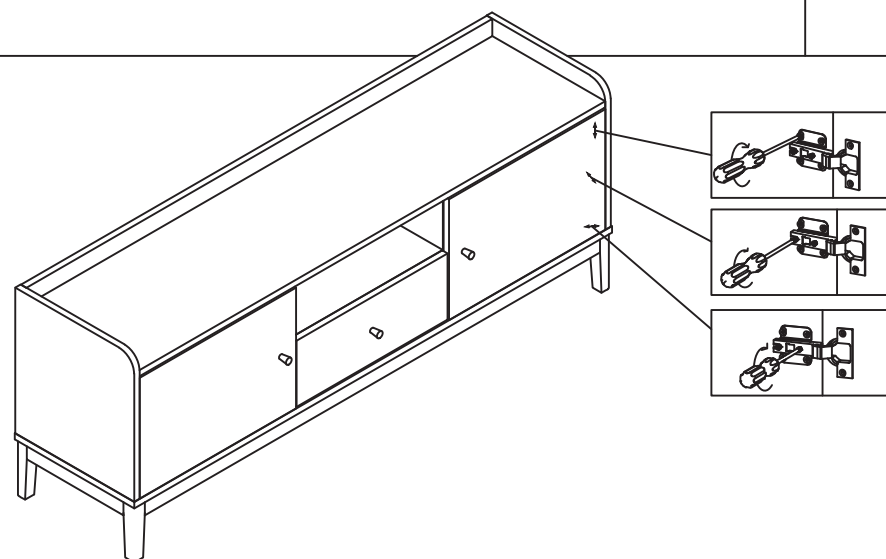
DX5



KX5



20



BANAK

BERNA

BR-0103BC

