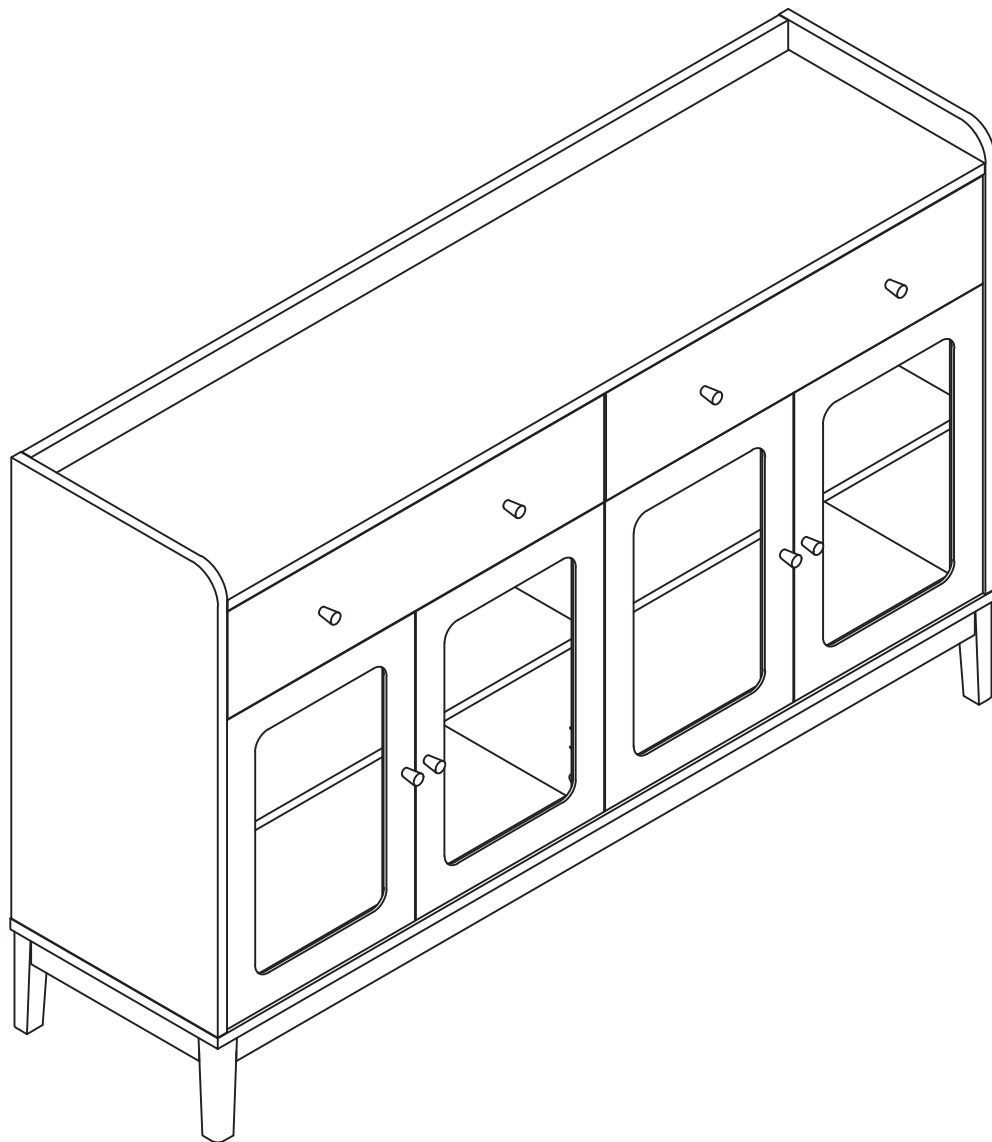


BANAK

BERNA

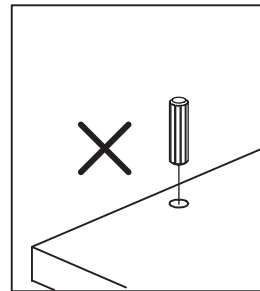
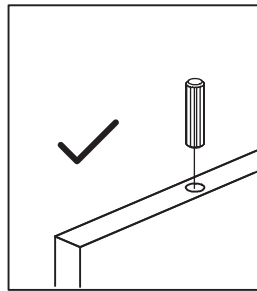
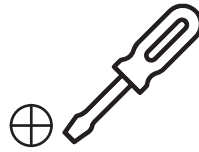
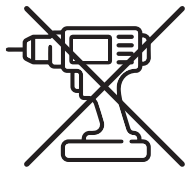
BR-0107BC



BANAK

BERNA

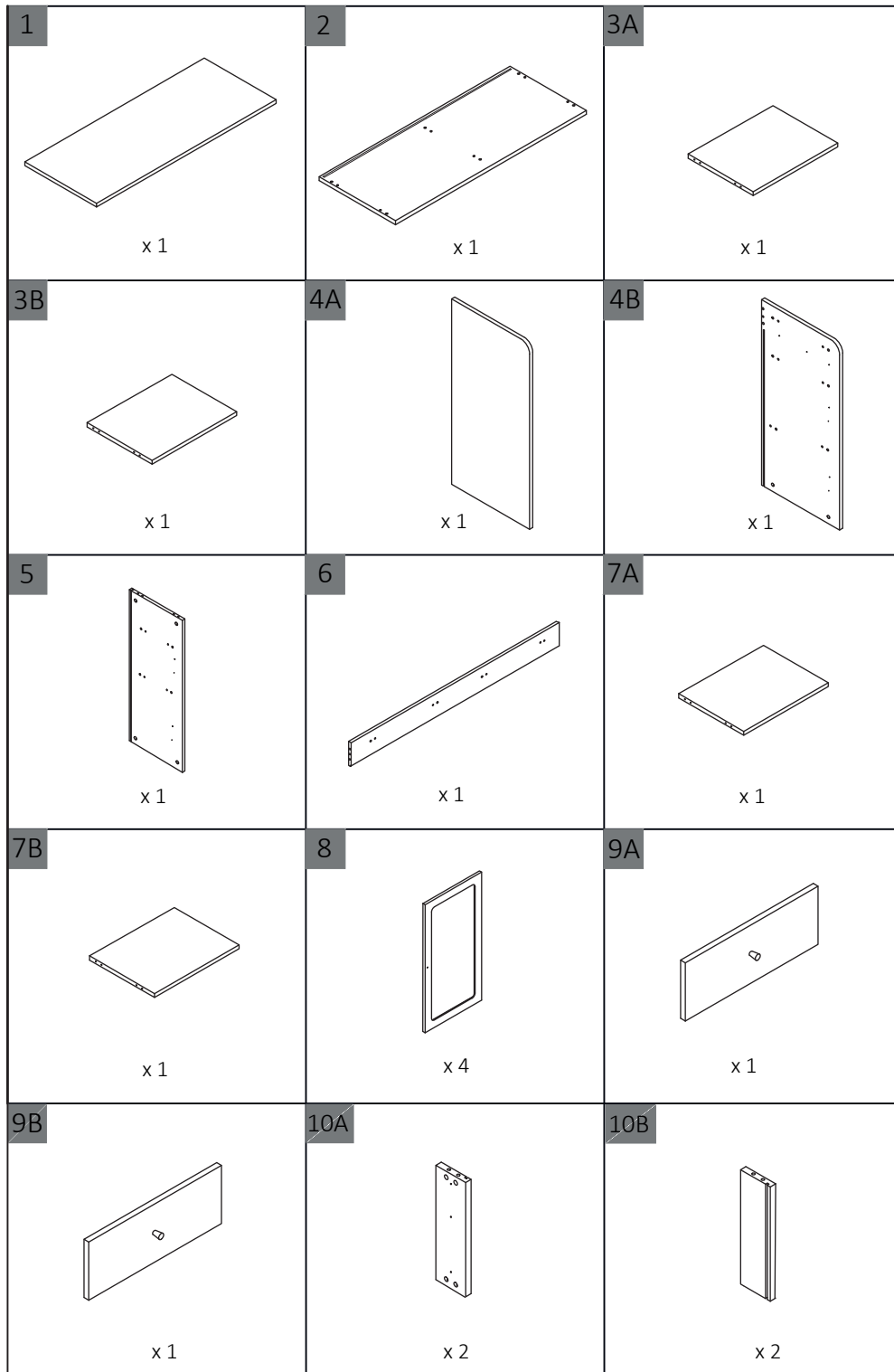
BR-0107BC



BANAK

BERNA

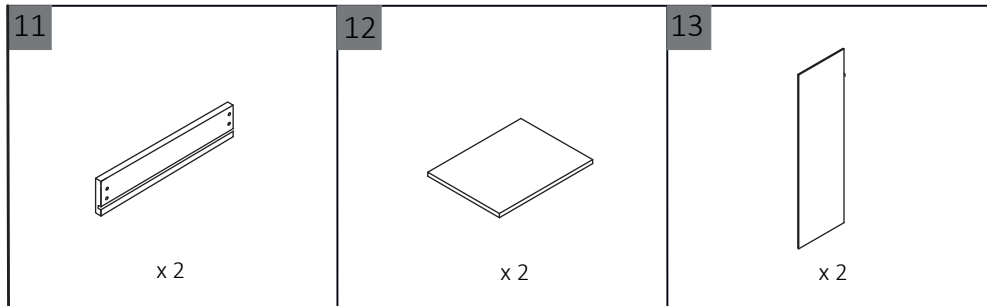
BR-0107BC



BANAK

BERNA

BR-0107BC


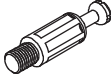













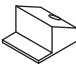
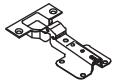
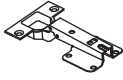
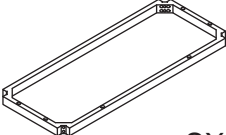




1	1	1460*378*18MM
2	1	1500*400*18MM
3A	1	720*358*18MM
3B	1	720*358*18MM
4A	1	770*398*18MM
4B	1	770*398*18MM
5	1	702*360*18MM
6	1	1460*150*18MM
7A	1	720*358*18MM
7B	1	720*358*18MM
8	4	516*362*18MM
9A	1	727*180*18MM
9B	1	727*180*18MM
10A	2	332*100*18MM
10B	2	332*100*18MM
11	2	701*100*18MM
12	2	675*342*5MM
13	2	1470*314*5MM

BANAK

BERNA

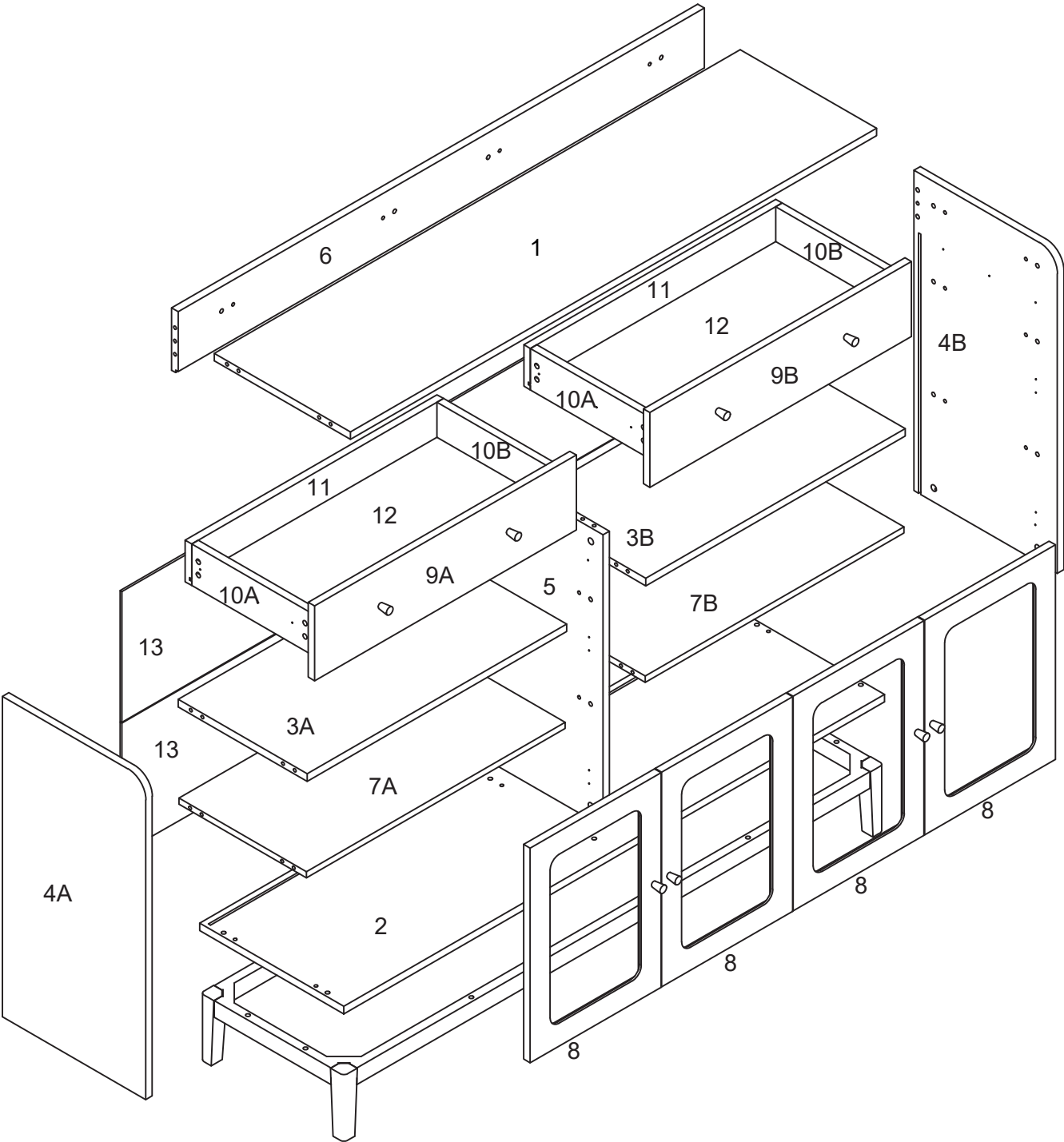
BR-0107BC

 φ15*12 AX36	 M6*35 BX36	 φ8*40 CX34	 M3.5*15 DX82
 M6x45 EX14	 FX14	 GX14	 HX4
 IX16	 JX16	 KX8	 LX8
 MX4	 NX1	 OX1	 PX6
 QX4	 RX4	 SX1	 TX4
 VX4			

BANAK

BERNA

BR-0107BC



BANAK

BERNA

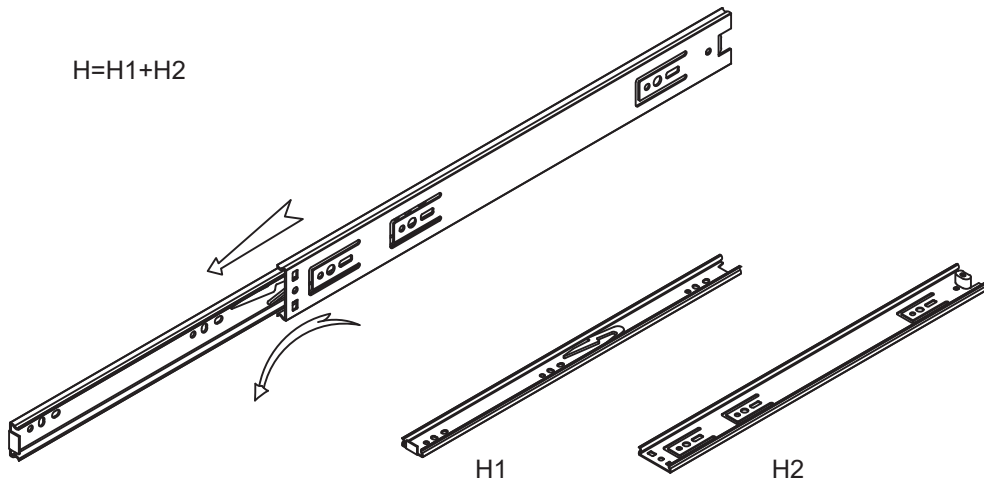
BR-0107BC

1



HX4

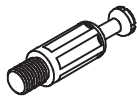
$$H=H1+H2$$



H1

H2

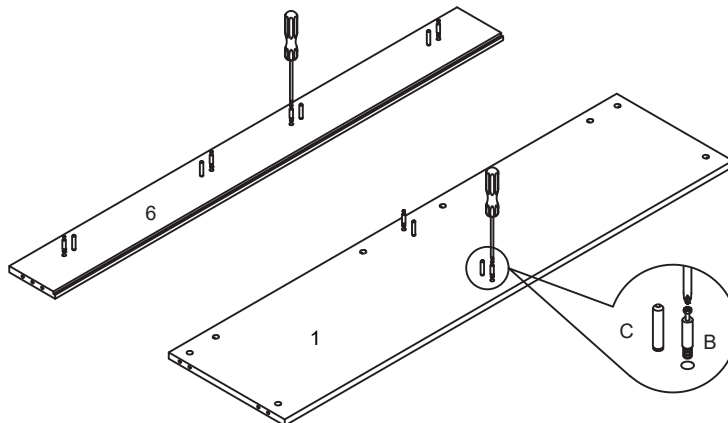
2



BX6



CX6



BANAK

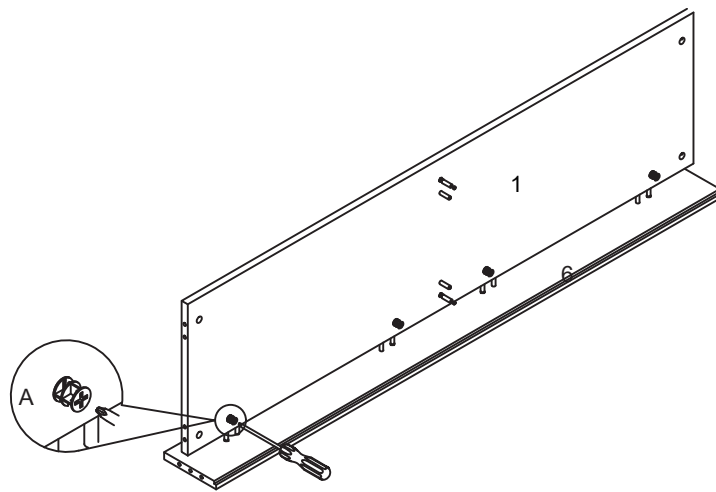
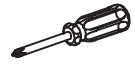
BERNA

BR-0107BC

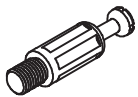
3



AX4



4



BX8



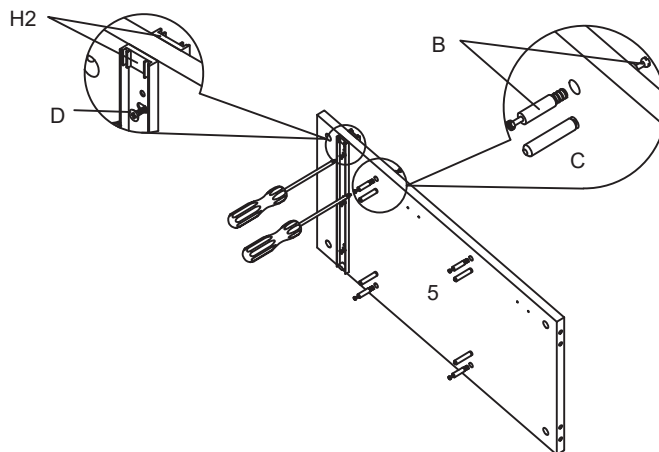
CX8



DX6



H2X2



BANAK

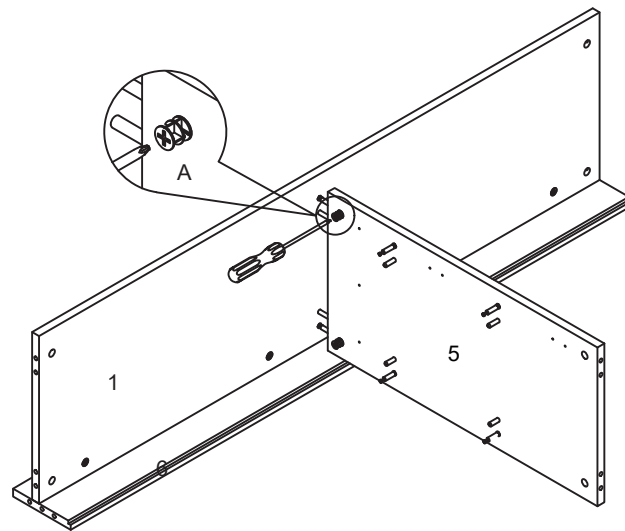
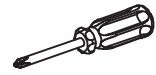
BERNA

BR-0107BC

5



AX2



6



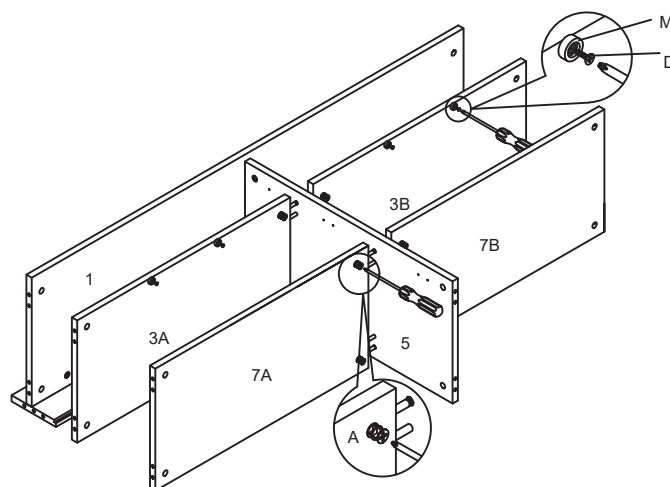
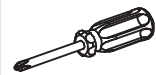
AX8



MX4



DX4

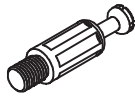


BANAK

BERNA

BR-0107BC

7



BX16



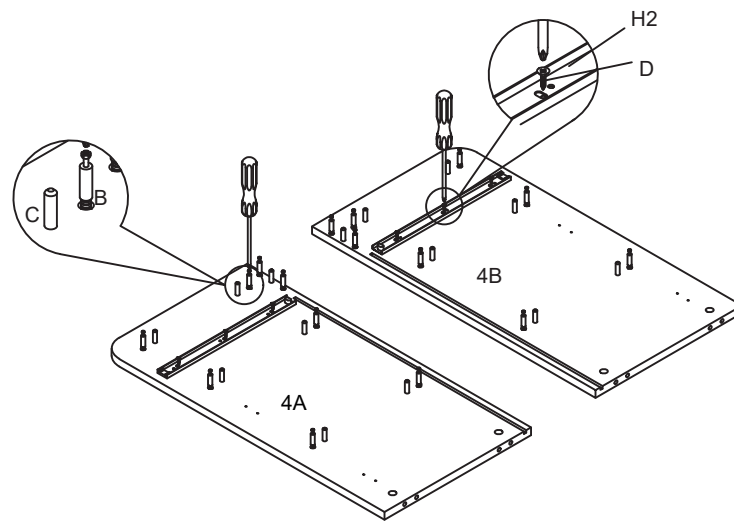
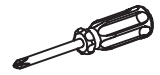
CX14



DX6



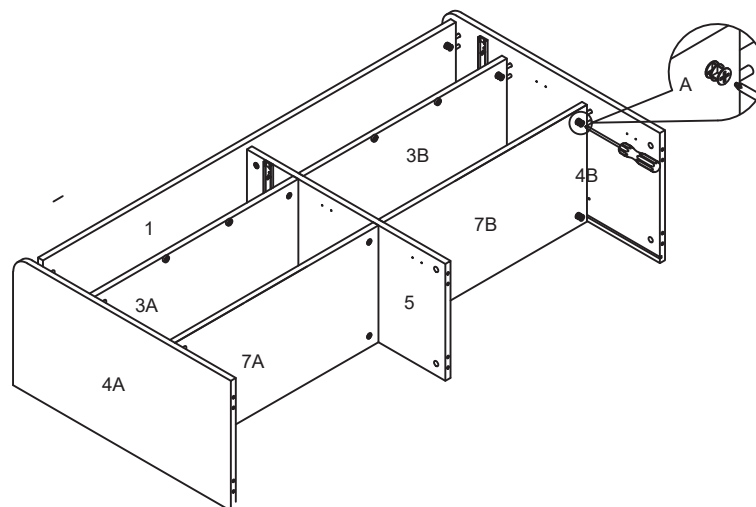
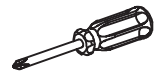
H2X2



8



AX16

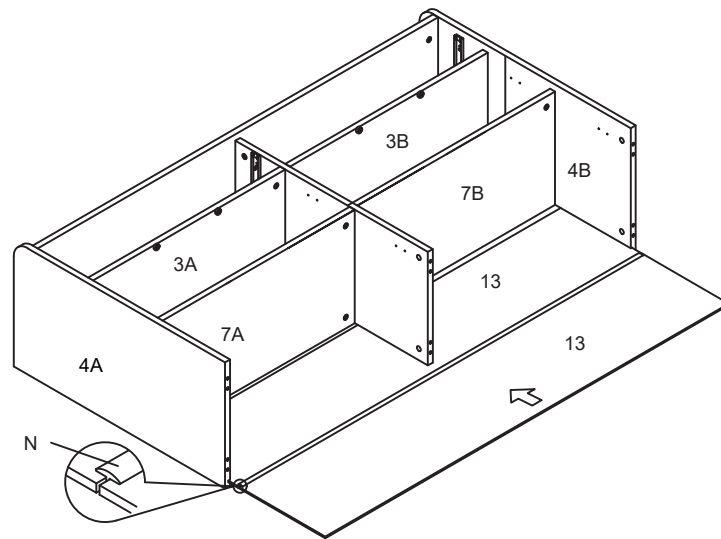
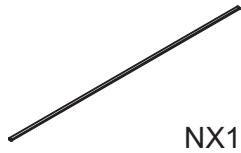


BANAK

BERNA

BR-0107BC

9



10



EX14



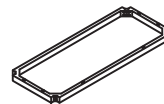
FX14



GX14



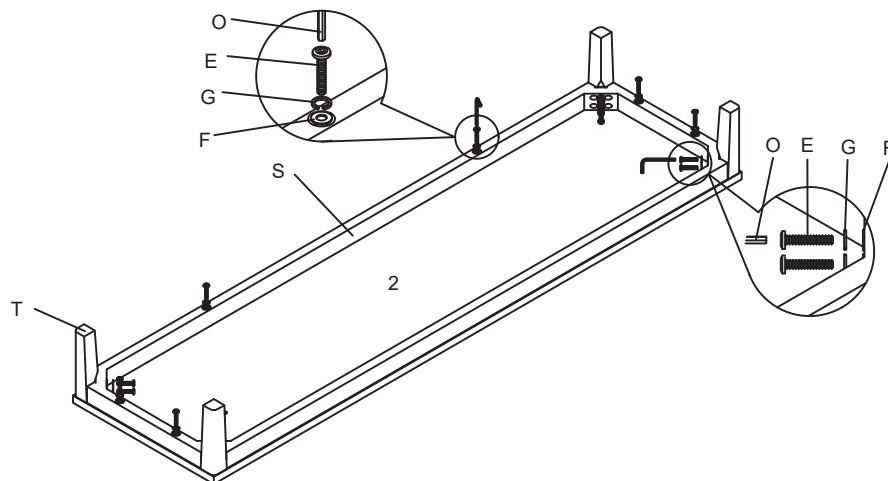
OX1



SX1



TX4

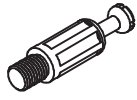


BANAK

BERNA

BR-0107BC

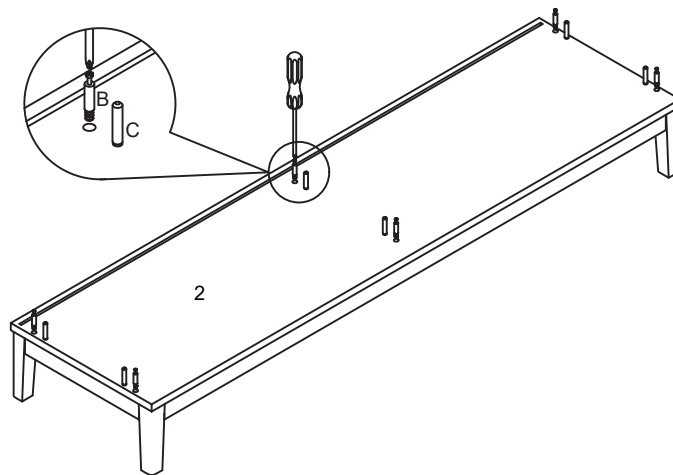
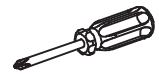
11



BX6



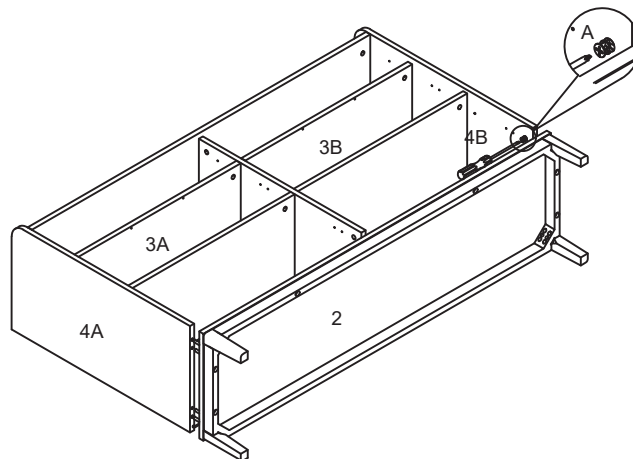
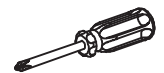
CX6



12



AX6



BANAK

BERNA

BR-0107BC

13



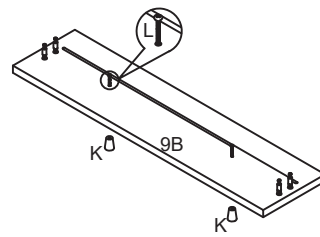
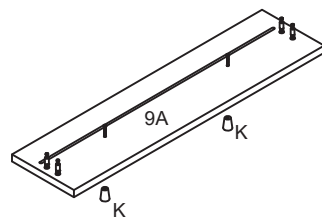
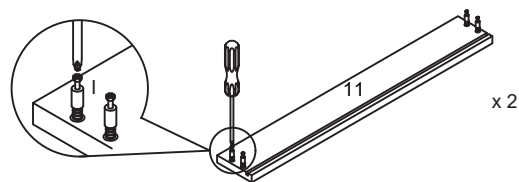
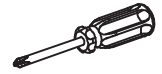
IX16



KX4



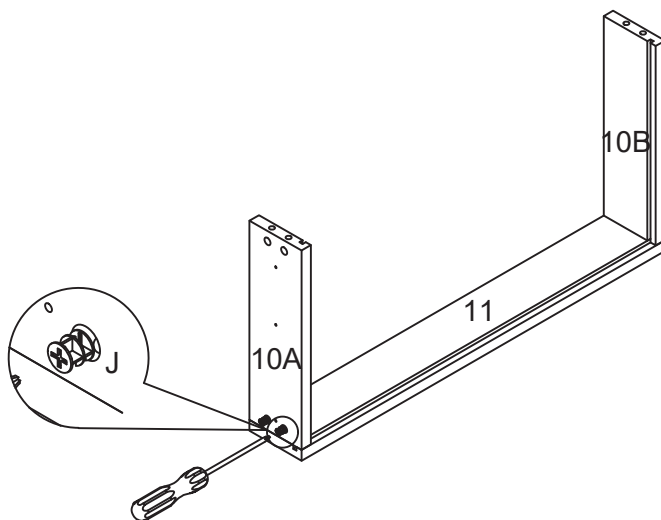
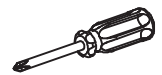
LX4



14



JX8



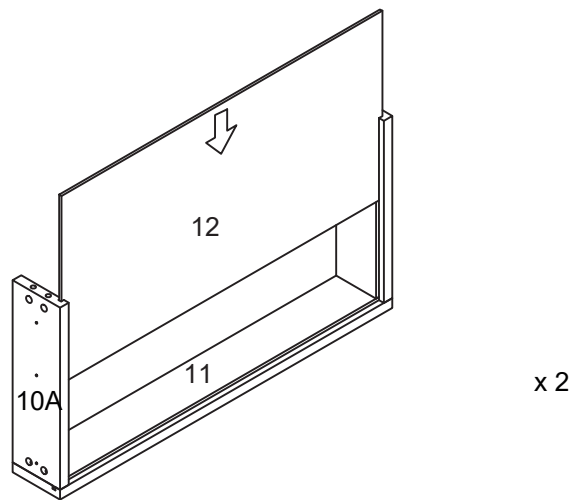
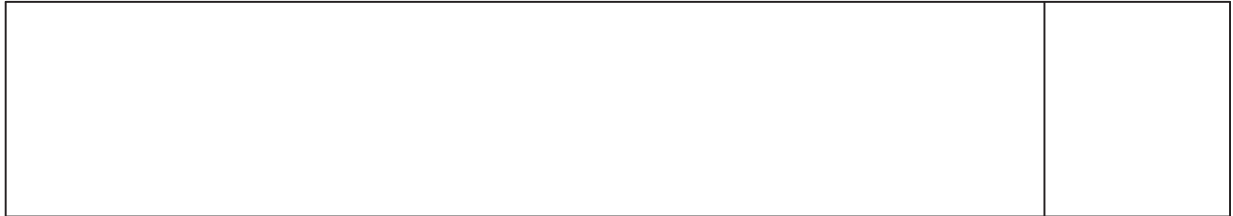
x 2

BANAK

BERNA

BR-0107BC

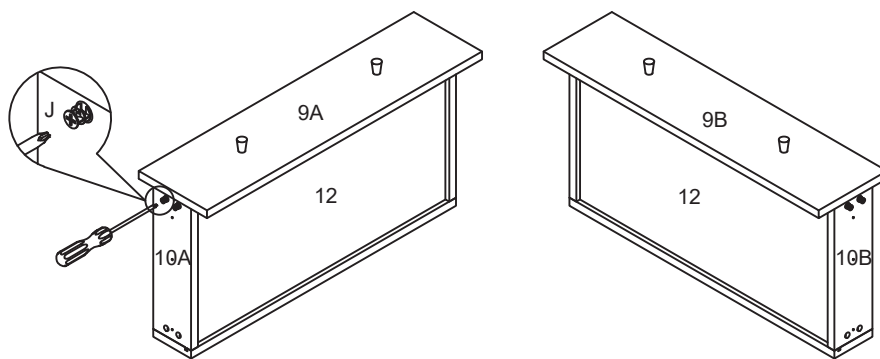
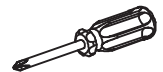
15



16



JX8



BANAK

BERNA

BR-0107BC

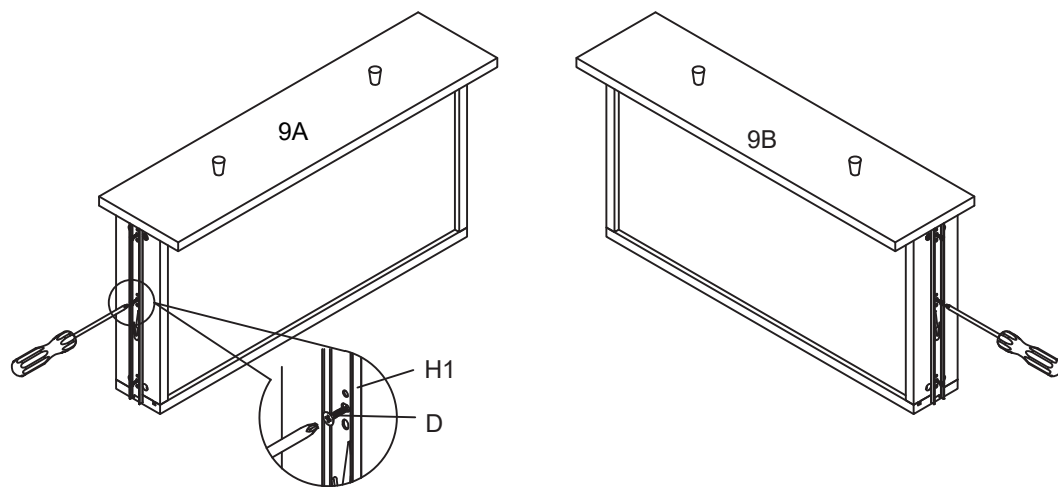
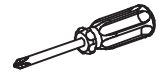
17



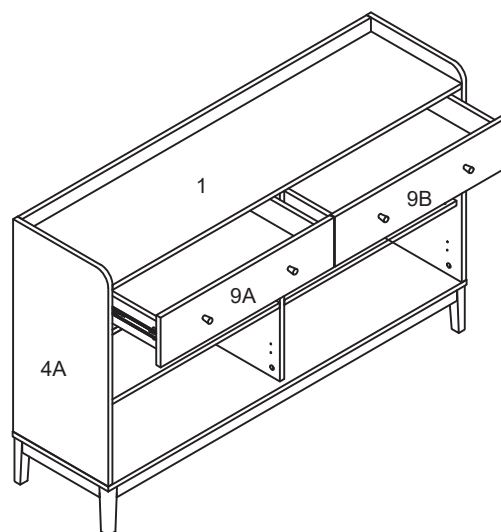
DX12



H1X4



18



BANAK

BERNA

BR-0107BC

19



QX4



RX4



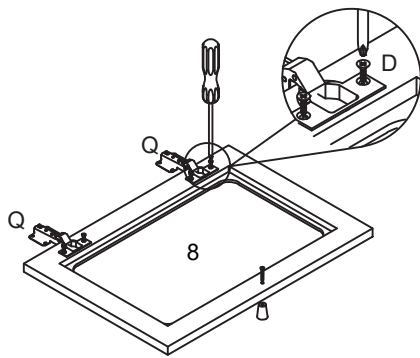
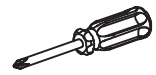
KX4



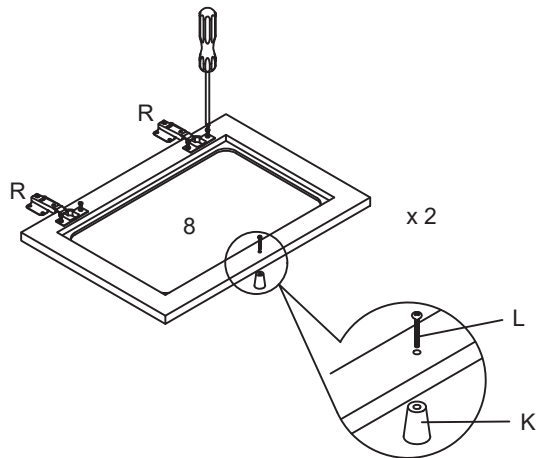
LX4



DX16



x 2

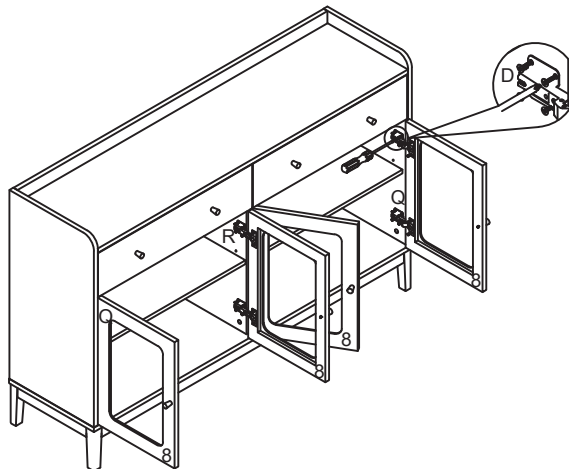
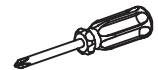


x 2

20



DX32



BANAK

BERNA

BR-0107BC

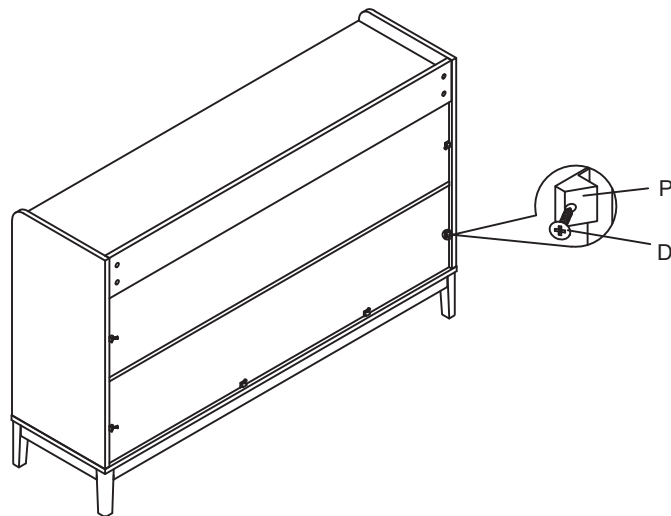
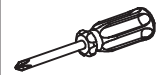
21



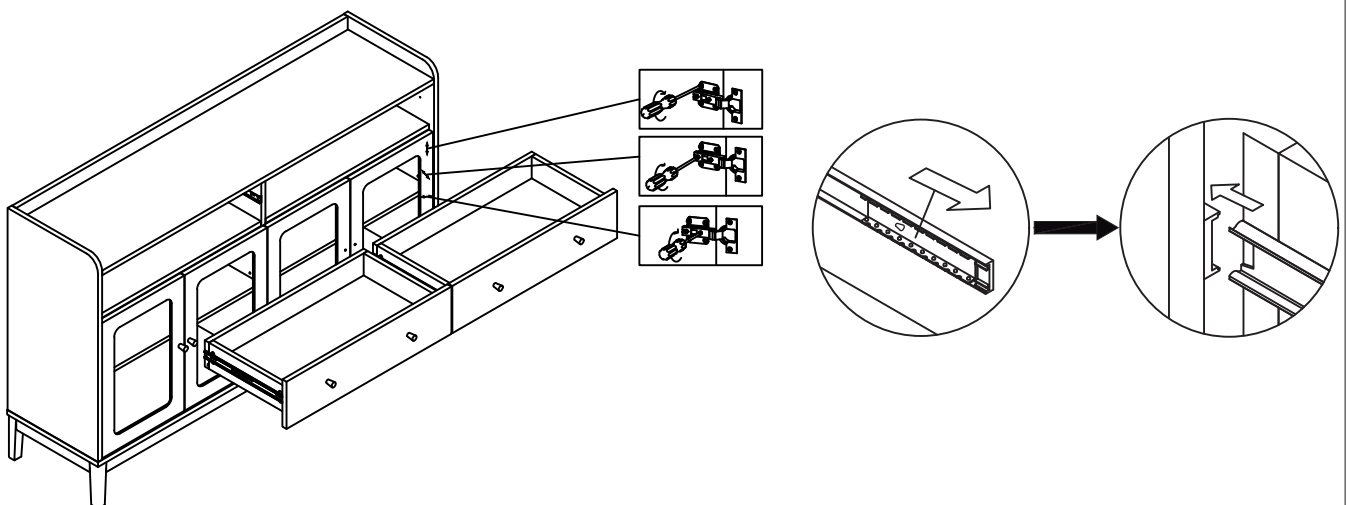
PX6



DX6



22

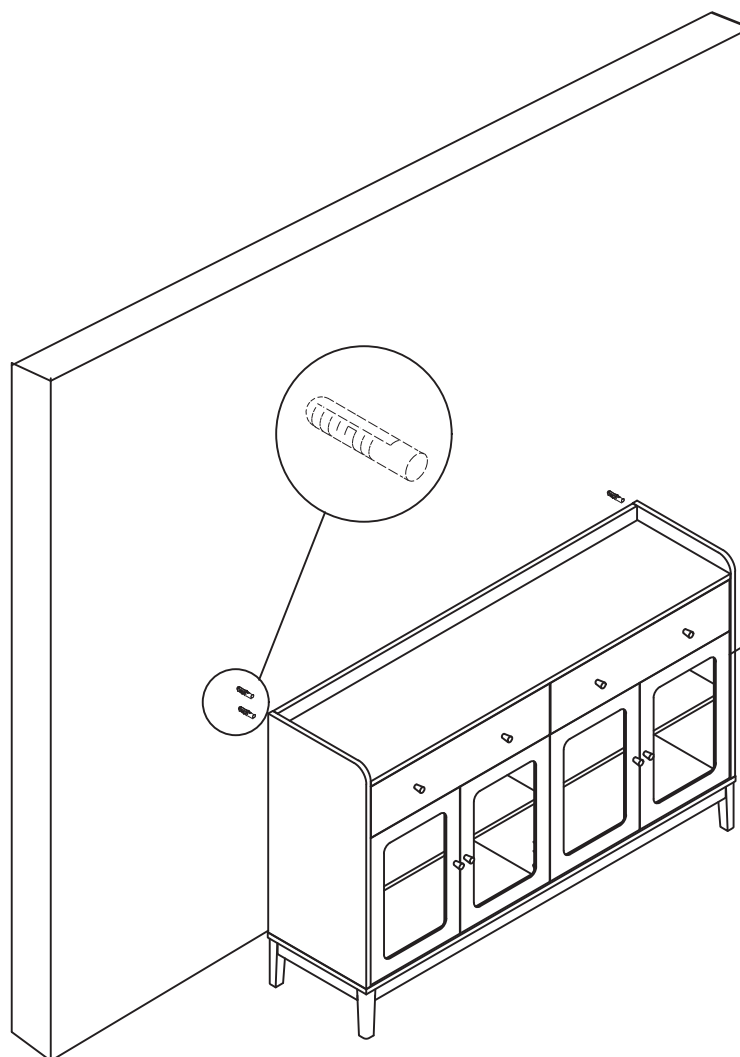


BANAK

BERNA

BR-0107BC

23



BANAK

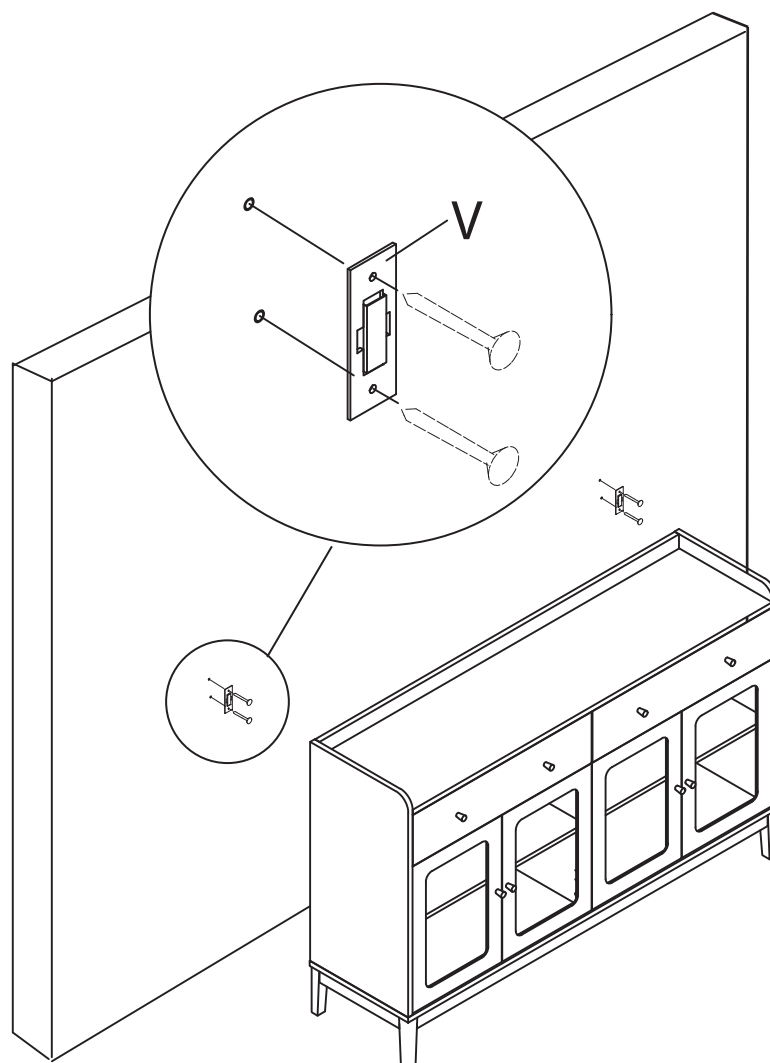
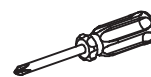
BERNA

BR-0107BC

24



Vx2



BANAK

BERNA

BR-0107BC

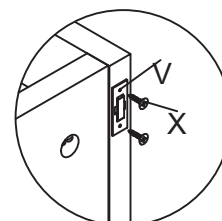
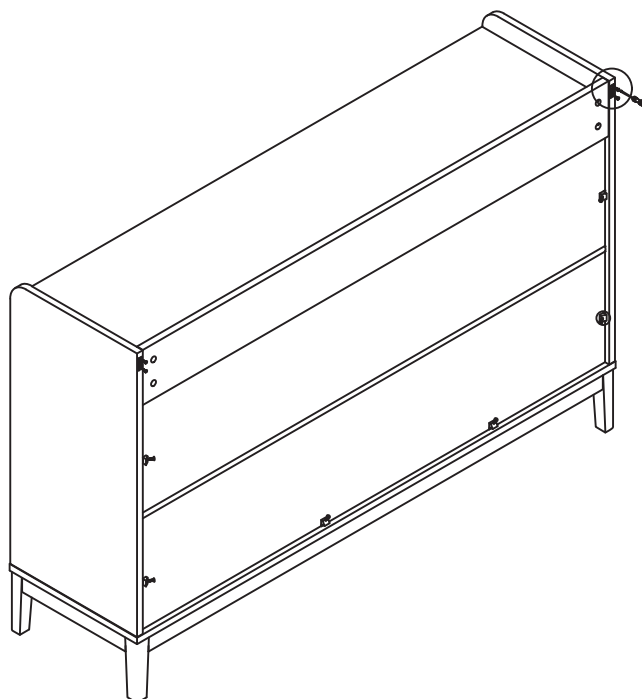
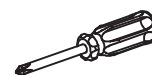
25



Vx2



Xx4



BANAK

BERNA

BR-0107BC

26

