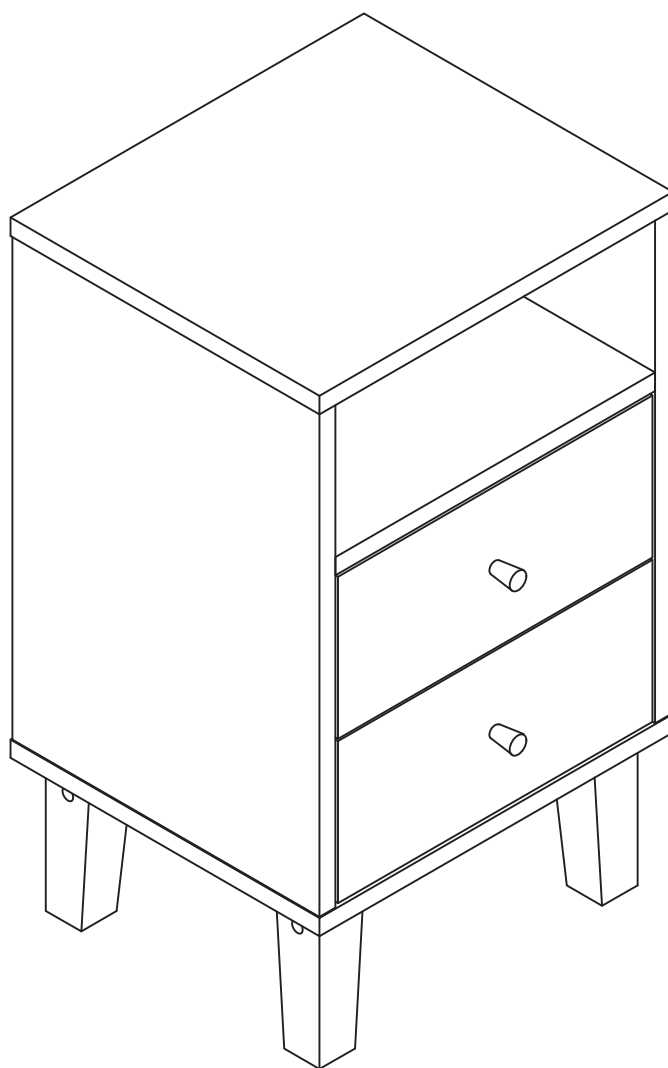


BANAK

CEILAN

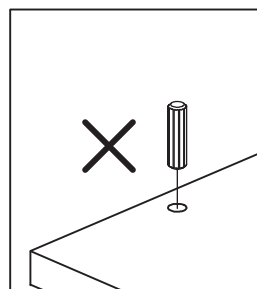
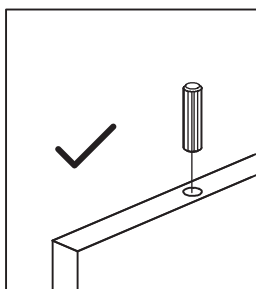
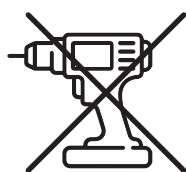
CE-0100BC



BANAK

CEILAN

CE-0100BC



BANAK

CEILAN

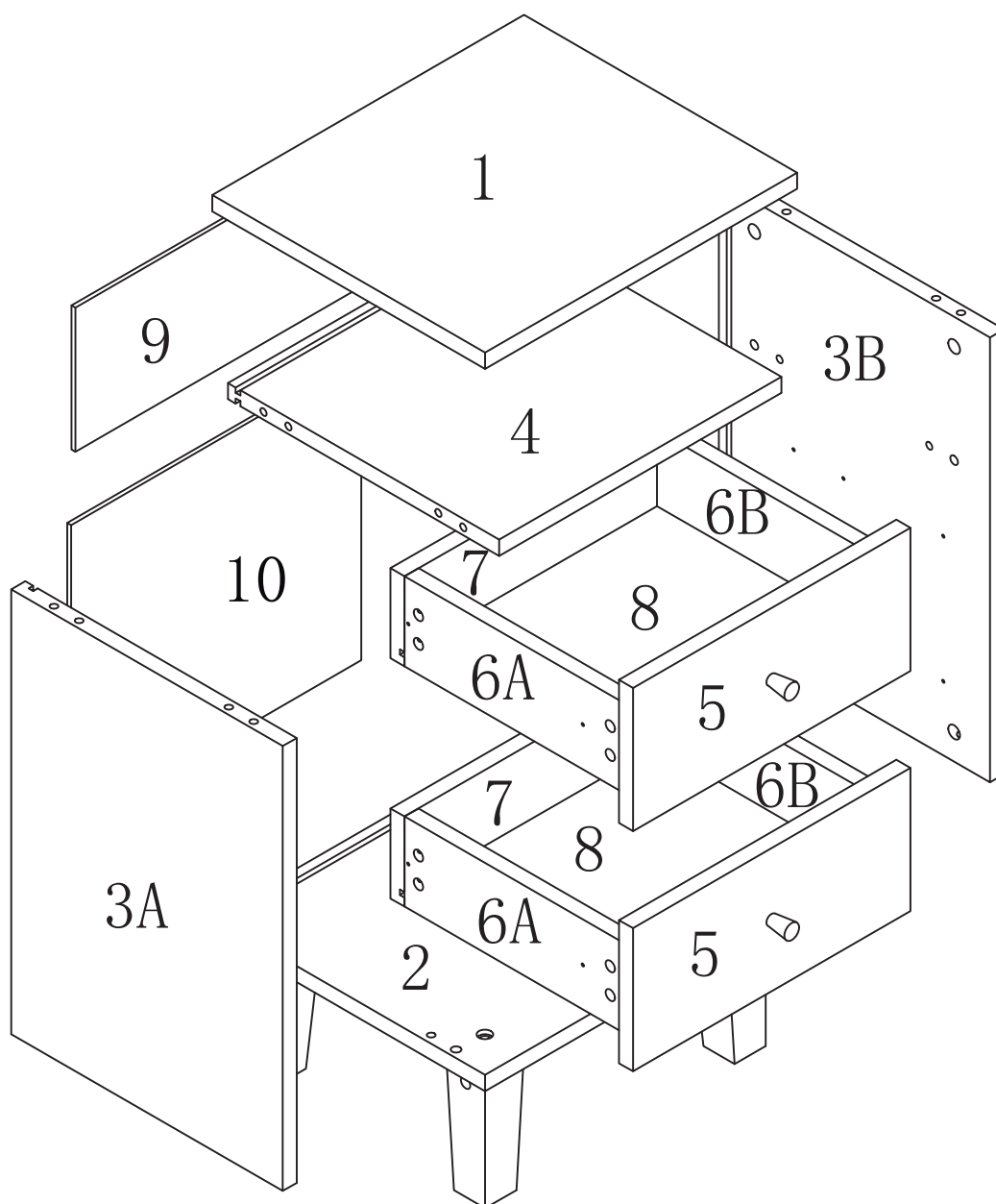
CE-0100BC

| | | |
|----|----|--------------|
| 1 | x1 | 400x350x18MM |
| 2 | x1 | 400x350x18MM |
| 3A | x1 | 494x348x18MM |
| 3B | x1 | 494x348x18MM |
| 4 | x1 | 362x348x18MM |
| 5 | x2 | 356x159x18MM |
| 6A | x2 | 282x100x18MM |
| 6B | x2 | 282x100x18MM |
| 7 | x2 | 342x100x18MM |
| 8 | x2 | 316x292x5MM |
| 9 | x1 | 372x160x5MM |
| 10 | x1 | 372x336x5MM |

BANAK

CEILAN





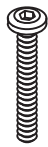


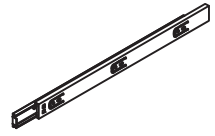






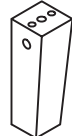
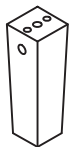
CE-0100BC



BANAK

CEILAN

CE-0100BC

| | | | |
|---|--|---|--|
|  φ15*12 AX12 |  M6*35 BX12 |  φ8*40 CX12 |  M3.5*15 DX28 |
|  EX4 |  FX4 |  φ8*20 GX8 |  300MM HX4 |
|  φ12*12 IX16 |  M6*24 JX16 |  KX2 |  LX2 |
|  MX1 |  NX8 |  OX2 |  PX2 |

BANAK

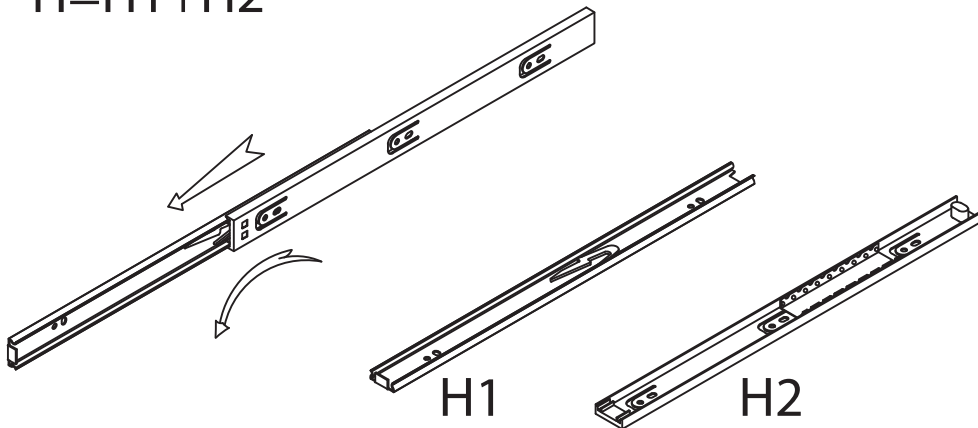
CEILAN

CE-0100BC

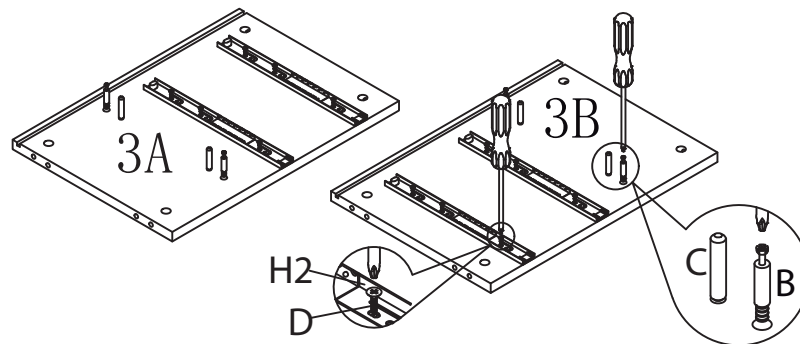
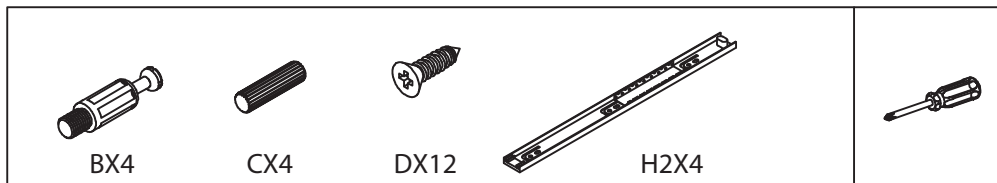
1



$$H=H1+H2$$



2



BANAK

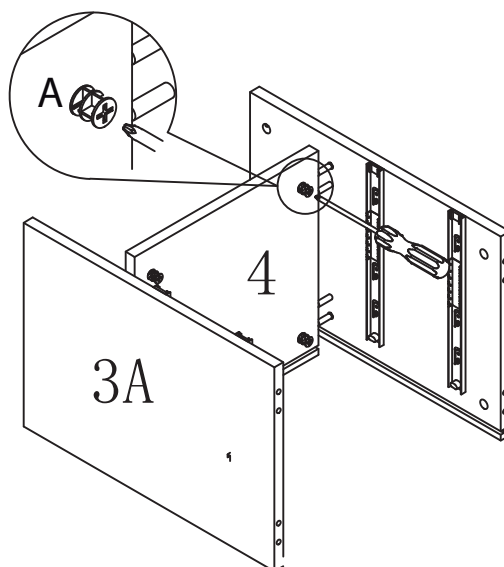
CEILAN

CE-0100BC

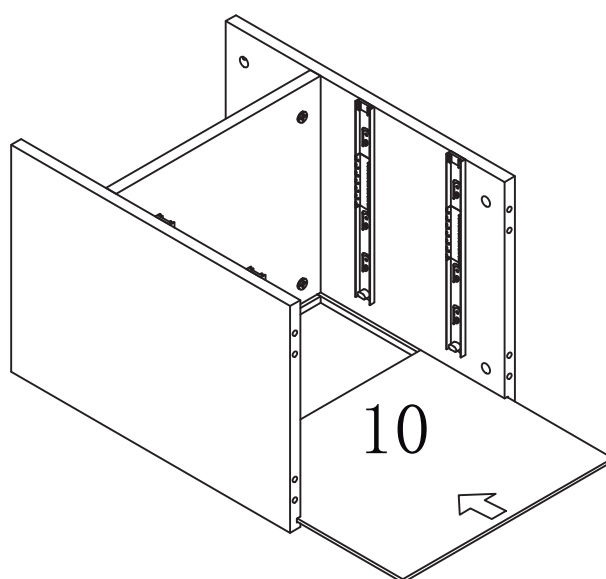
3



AX4



4

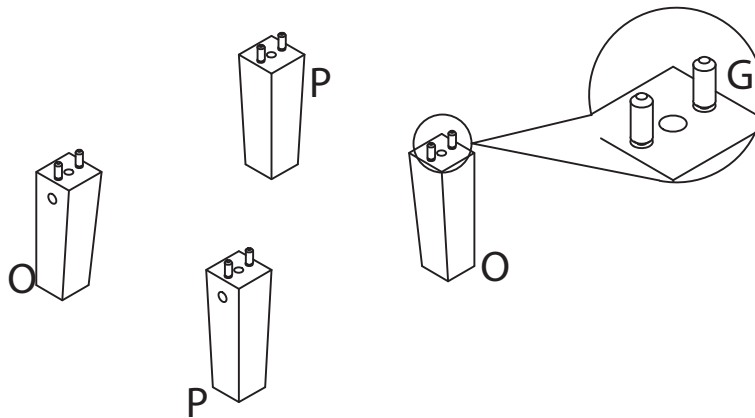


BANAK

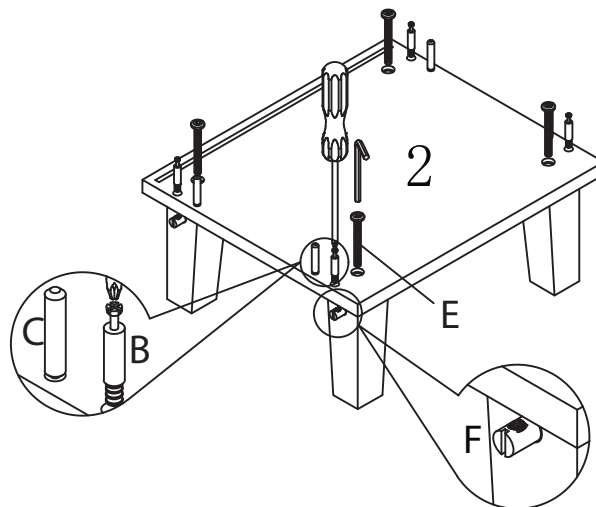
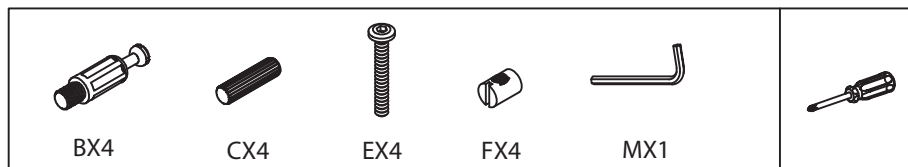
CEILAN

CE-0100BC

5



6



BANAK

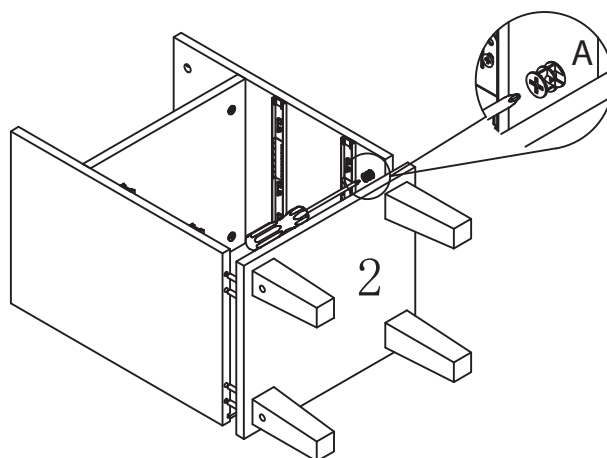
CEILAN

CE-0100BC

7



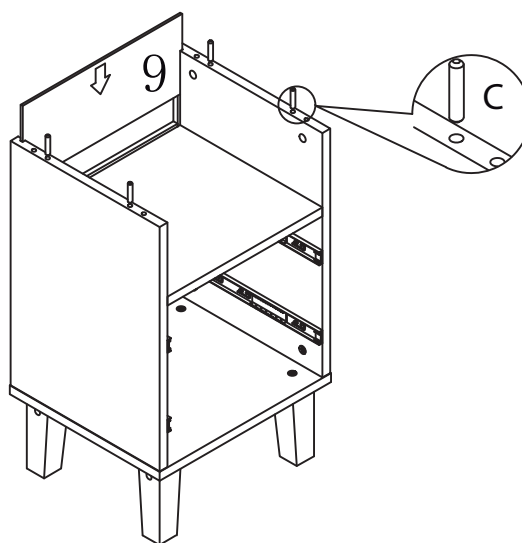
AX4



8



CX4



BANAK

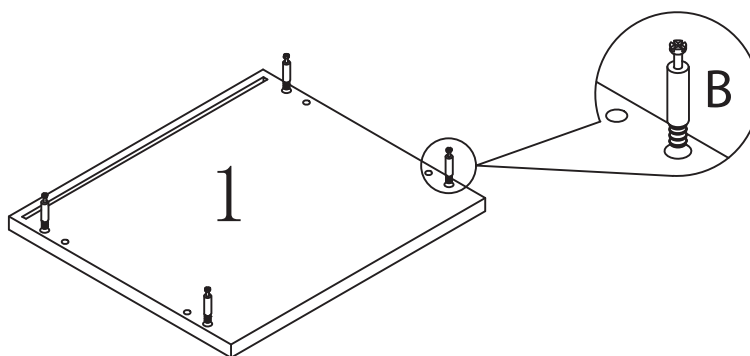
CEILAN

CE-0100BC

9



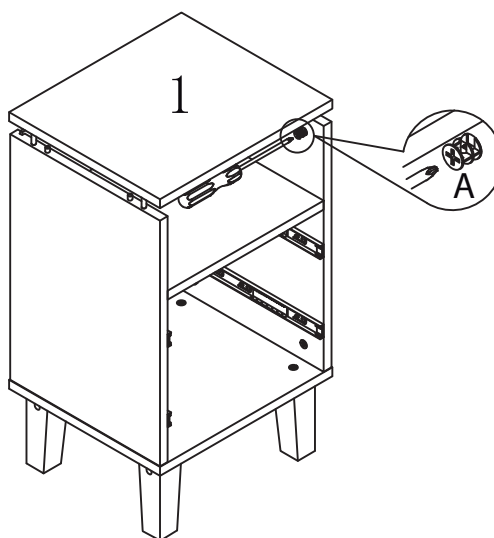
BX4



10



AX4



BANAK

CEILAN

CE-0100BC

11



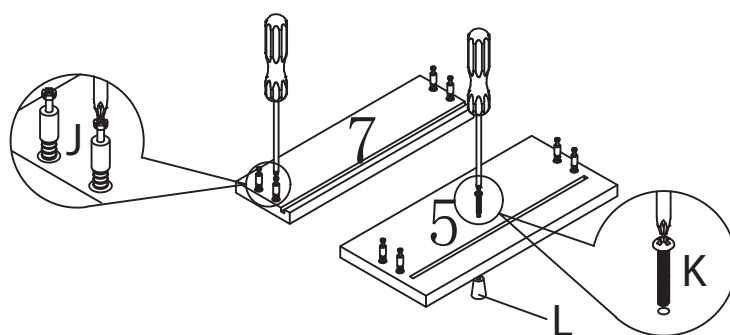
JX16



KX2



LX2

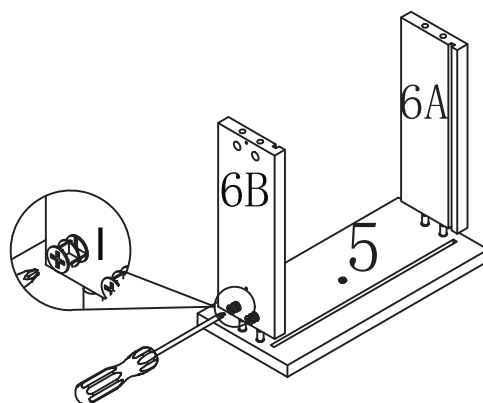


x2

12



IX8



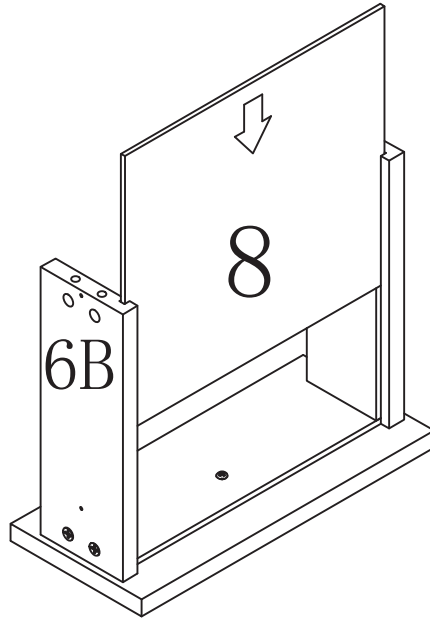
x2

BANAK

CEILAN

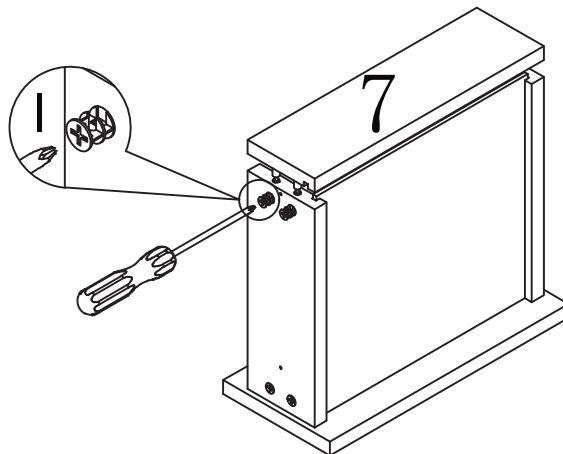
CE-0100BC

13



x2

14



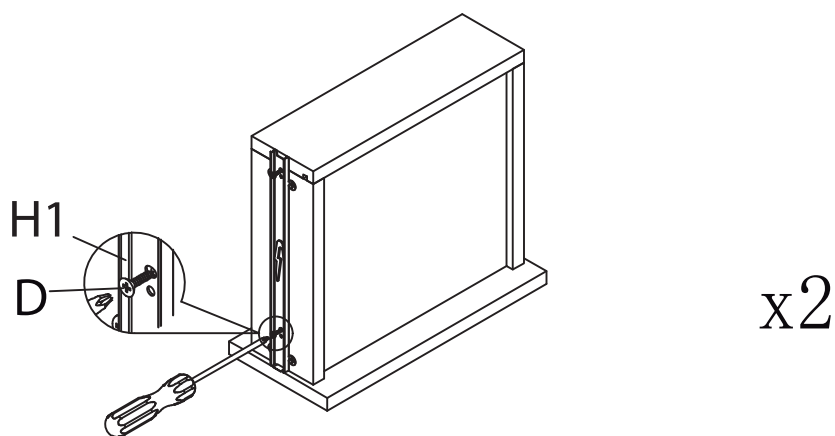
x2

BANAK

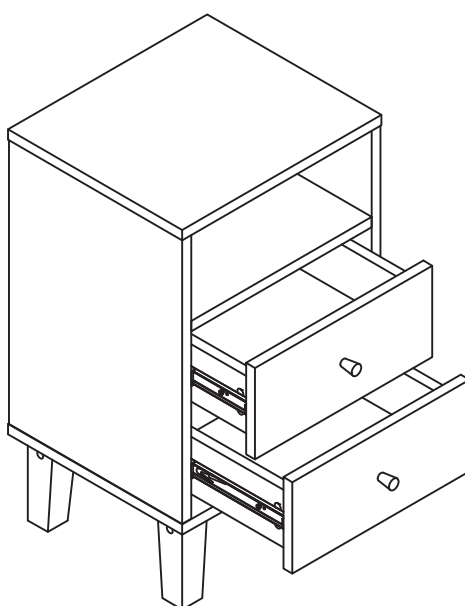
CEILAN

CE-0100BC

15



16



BANAK

CEILAN

CE-0100BC

17

