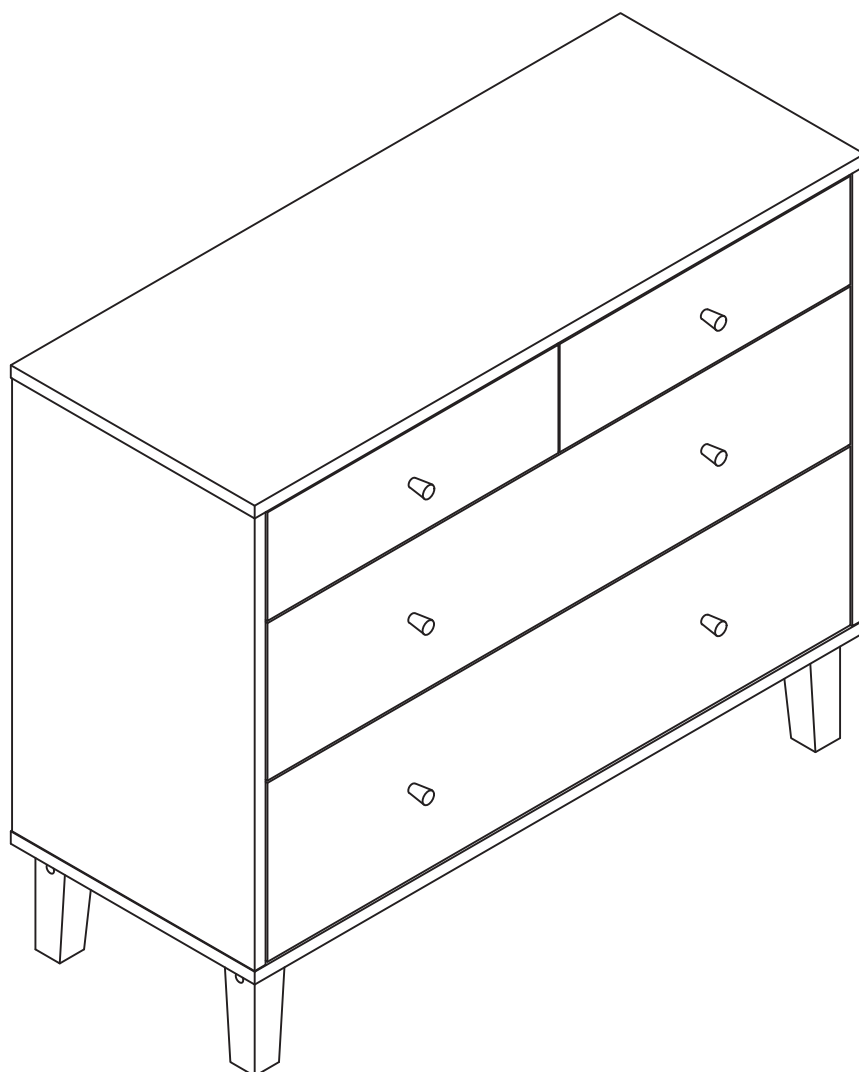


# BANAK

# CEILAN

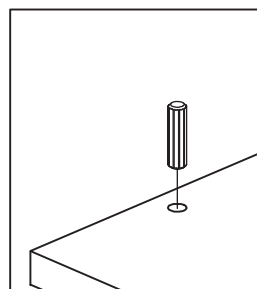
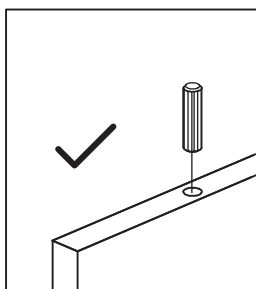
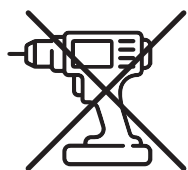
CE-0101BC



# BANAK

# CEILAN

CE-0101BC



# BANAK

# CEILAN

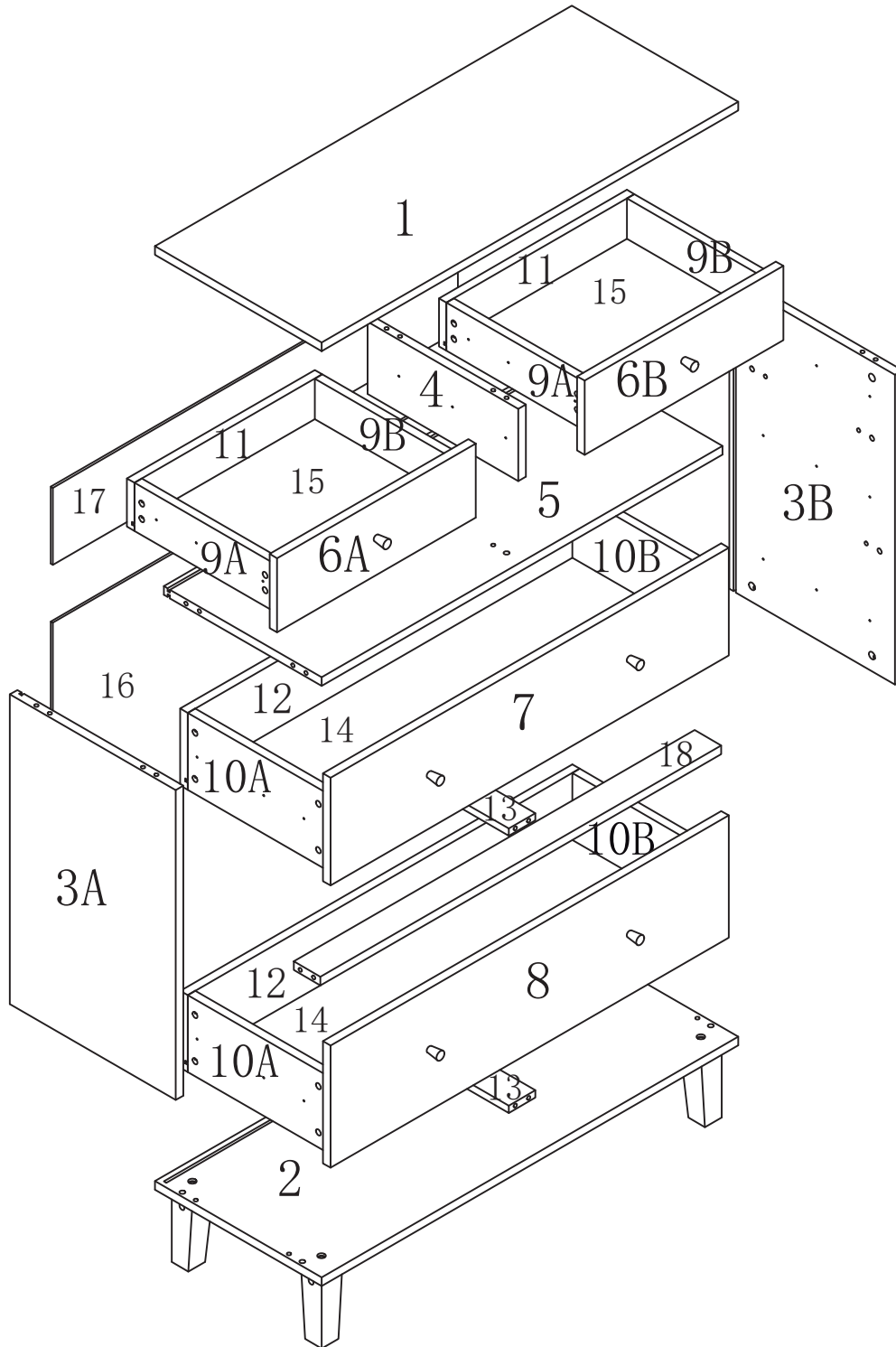
CE-0101BC

1	x1	1000x400x18MM
2	x1	1000x400x18MM
3A	x1	644x398x18MM
3B	x1	644x398x18MM
4	x1	362x150x18MM
5	x1	962x379x18MM
6A	x1	477x154x18MM
6B	x1	477x154x18MM
7	x1	956x224x18MM
8	x1	956x254x18MM
9A	x2	332x100x18MM
9B	x2	332x100x18MM
10A	x2	332x160x18MM
10B	x2	332x160x18MM
11	x2	451x100x18MM
12	x2	941x160x18MM
13	x2	332x64x15MM
14	x2	915x342x5MM
15	x2	425x342x5MM
16	x1	972x486x5MM
17	x1	972x160x5MM
18	x1	962x64x18MM

# BANAK

# CEILAN









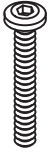



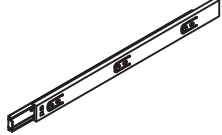
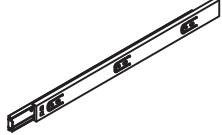









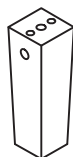
CE-0101BC



# BANAK

# CEILAN

CE-0101BC

 $\phi 15*12$	 AX26	 $M6*35$	 BX26	 $\phi 8*40$	 CX18	 $M3.5*15$	 DX60
 EX4	 FX4	 $\phi 8*20$	 GX8	 350MM	 HX8		
 $\phi 12*12$	 IX32	 $M6*24$	 JX32	 KX6	 LX6		
 MX1	 NX12	 OX2	 PX2				

# BANAK

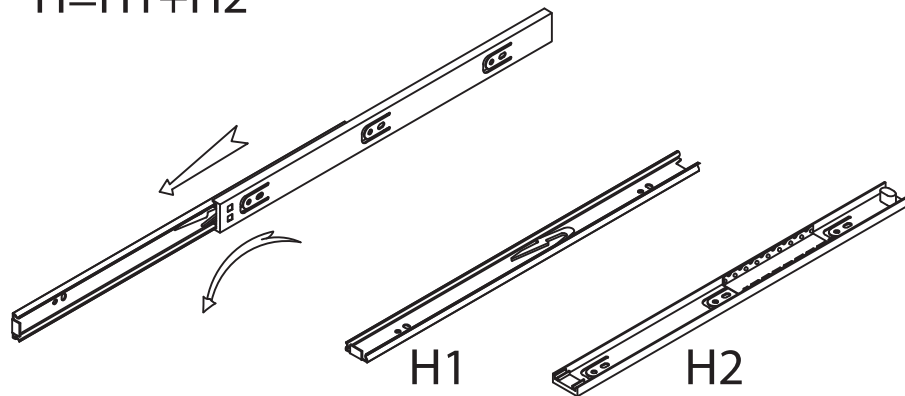
# CEILAN

CE-0101BC

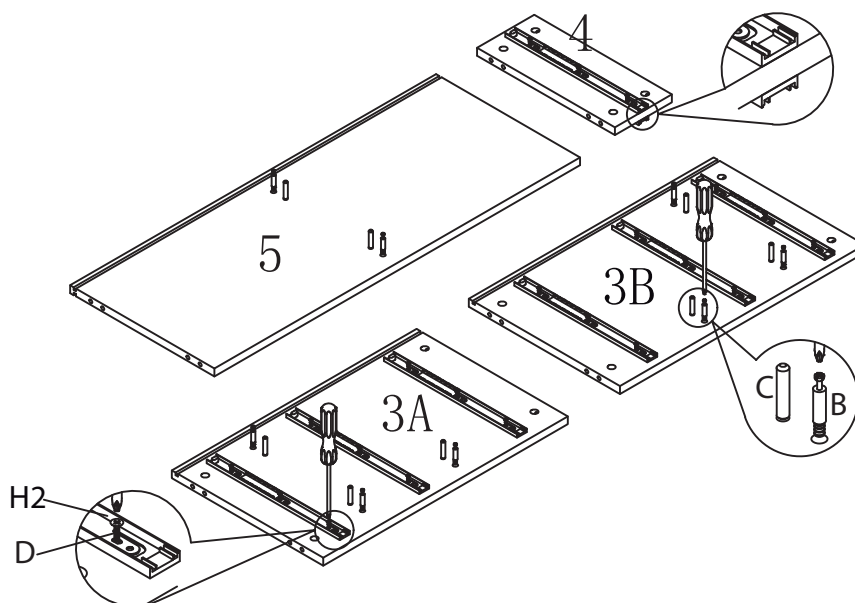
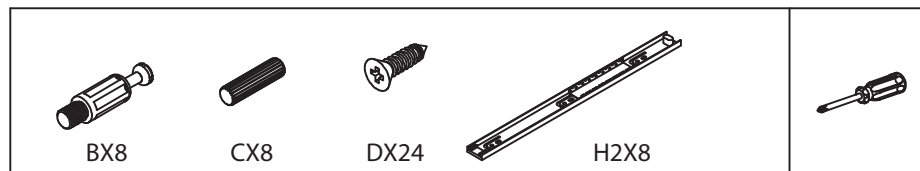
1



$$H=H1+H2$$



2

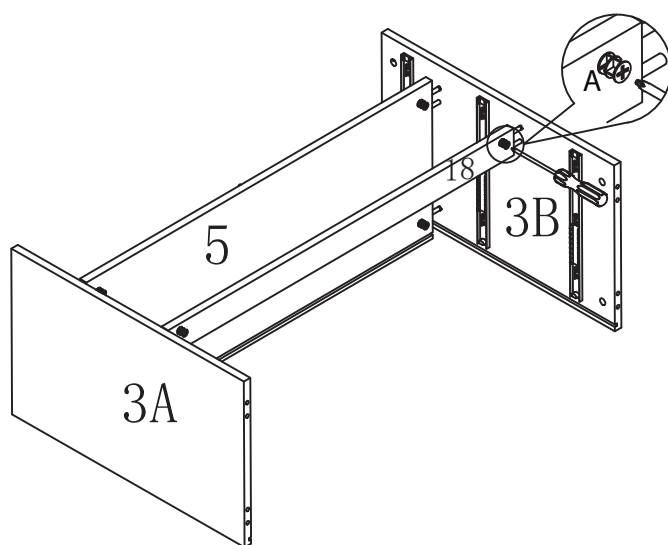
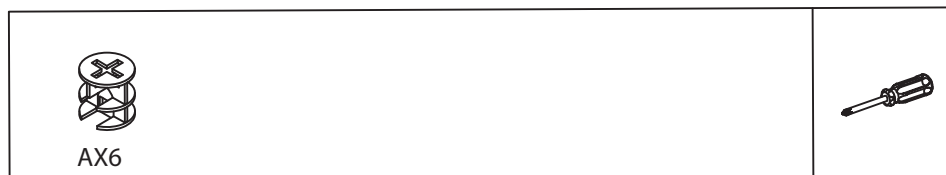


# BANAK

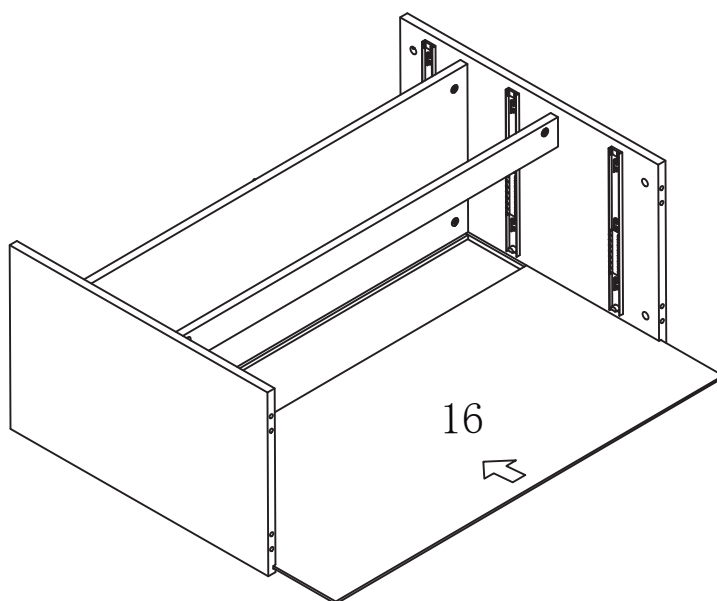
# CEILAN

CE-0101BC

3



4

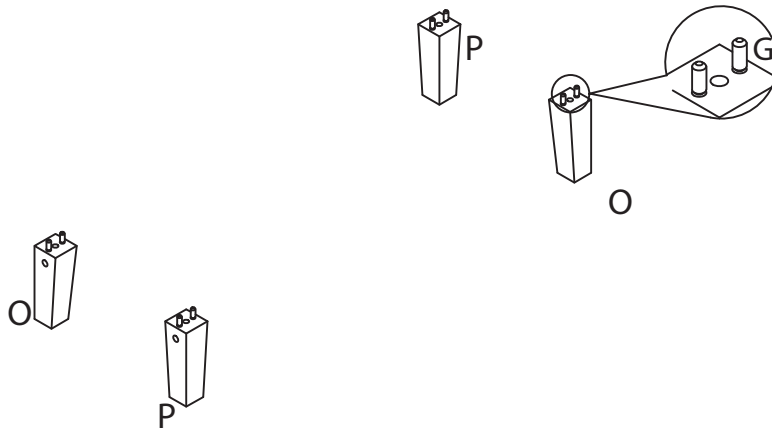


# BANAK

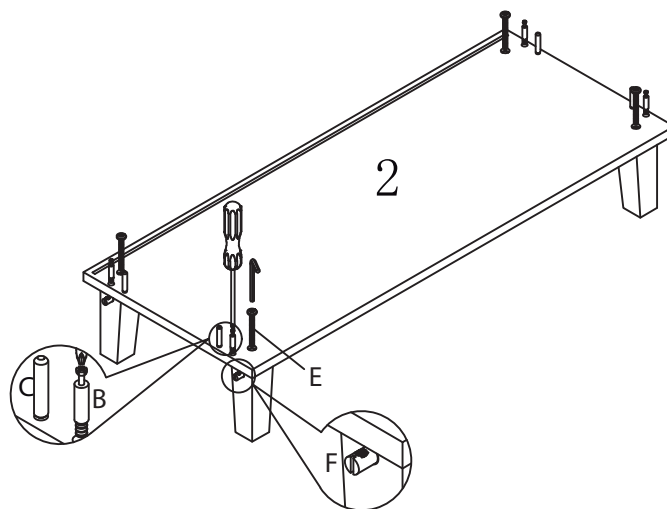
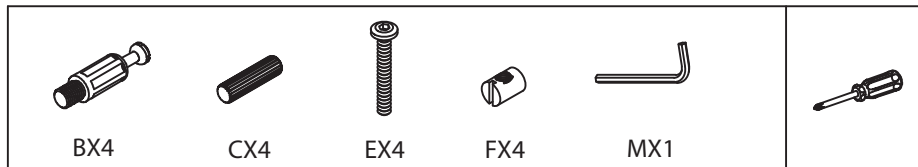
# CEILAN

CE-0101BC

5



6





# BANAK

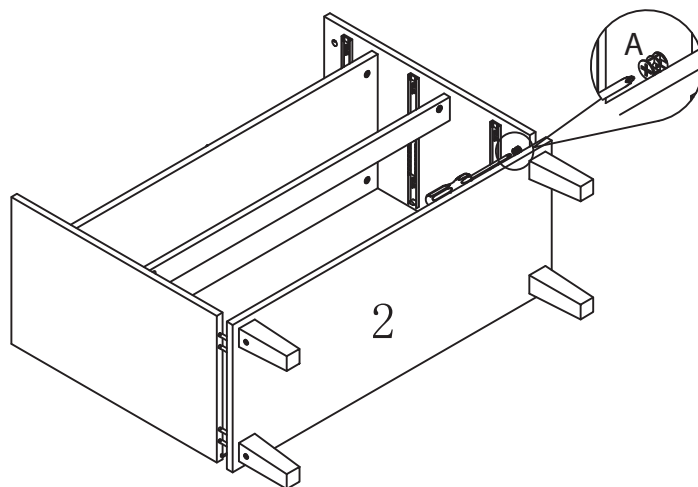
# CEILAN

CE-0101BC

7



AX4



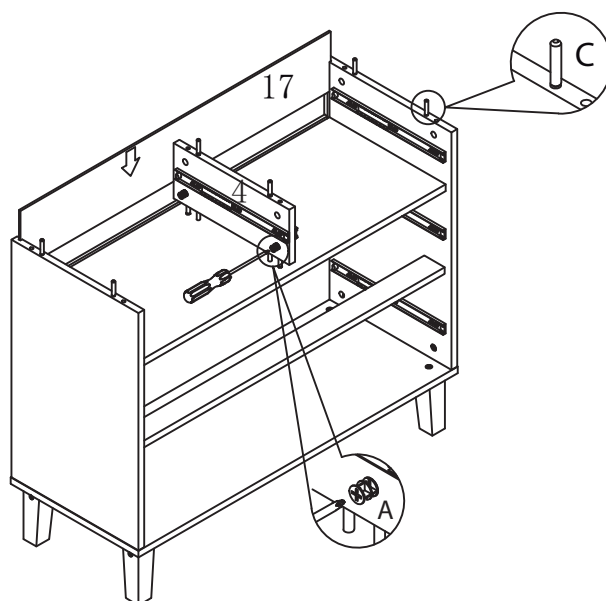
8



CX6



AX2



# BANAK

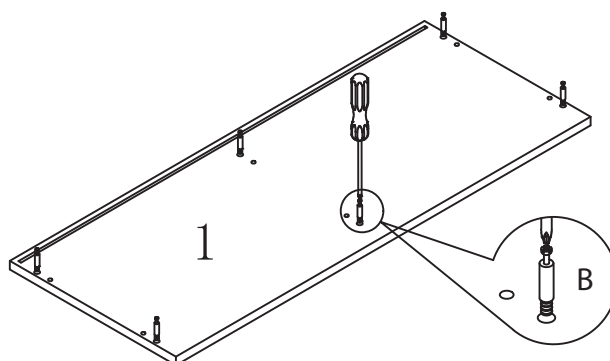
# CEILAN

CE-0101BC

9



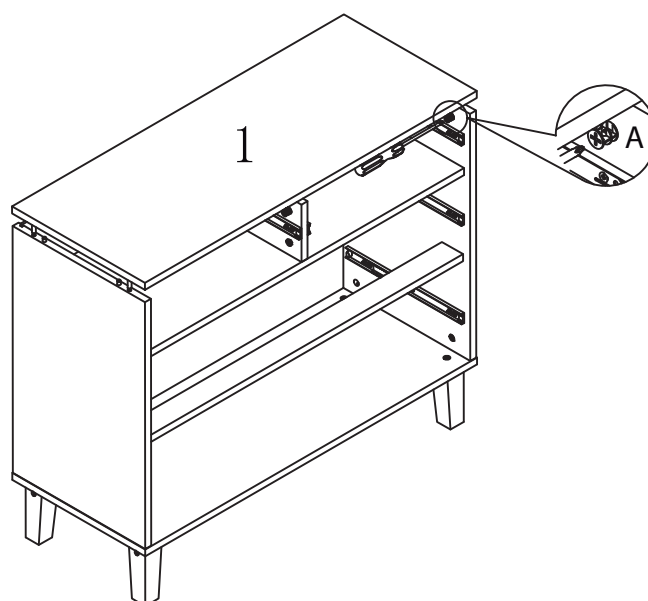
BX6



10



AX6

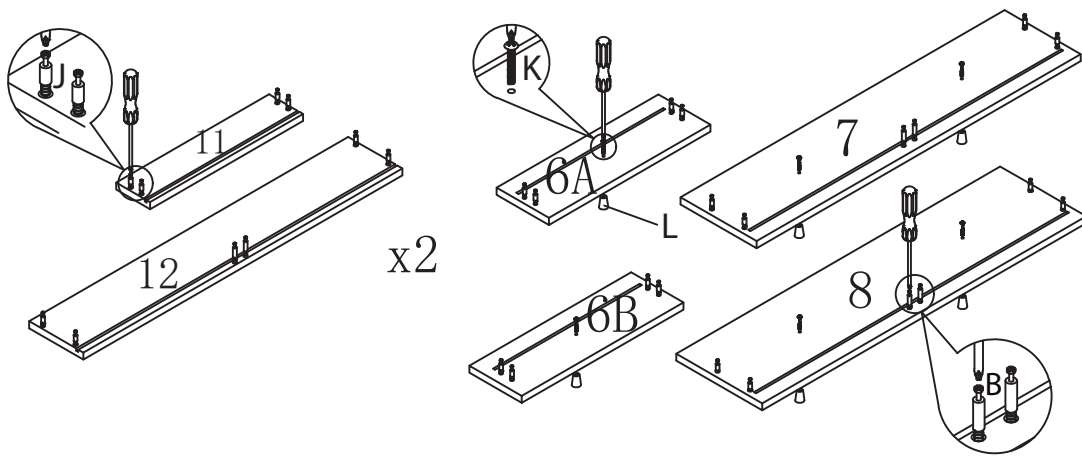
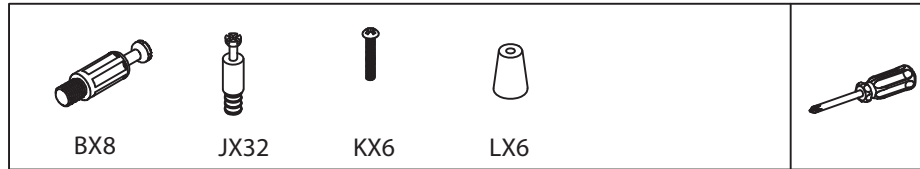


# BANAK

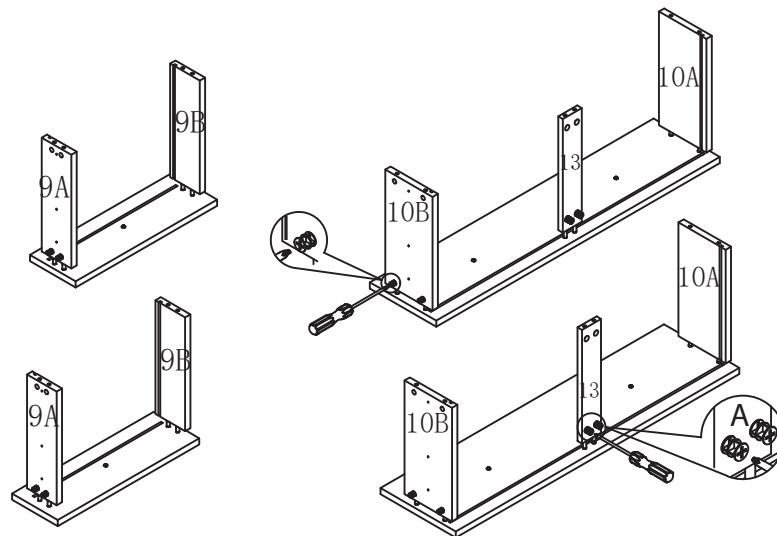
# CEILAN

CE-0101BC

11



12

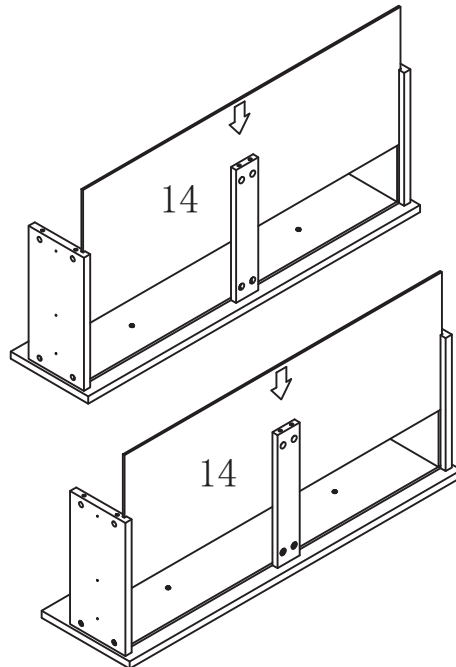
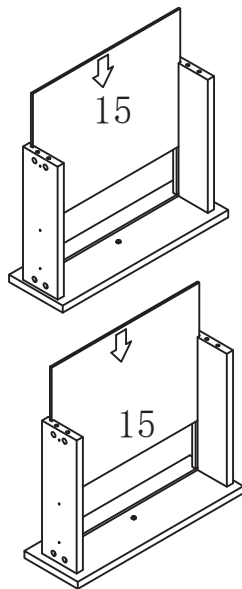


# BANAK

# CEILAN

CE-0101BC

13



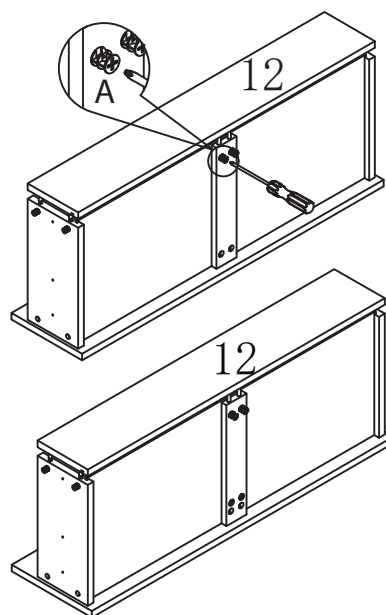
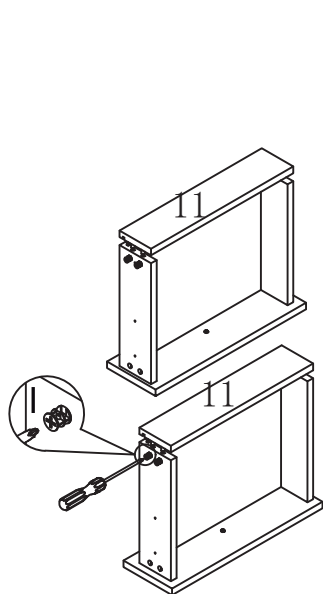
14



AX4



IX16

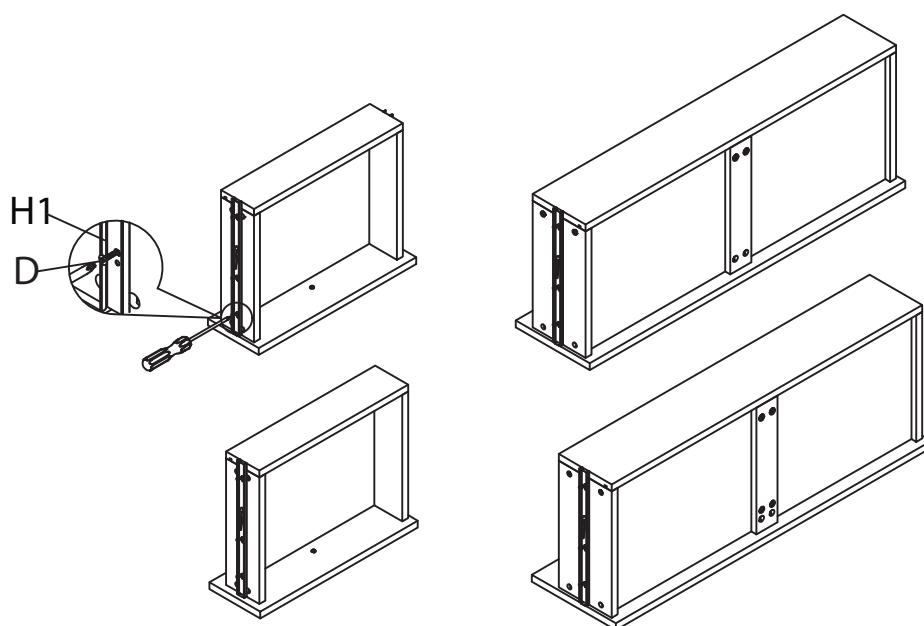
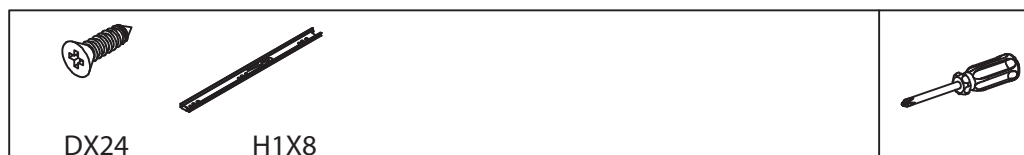


# BANAK

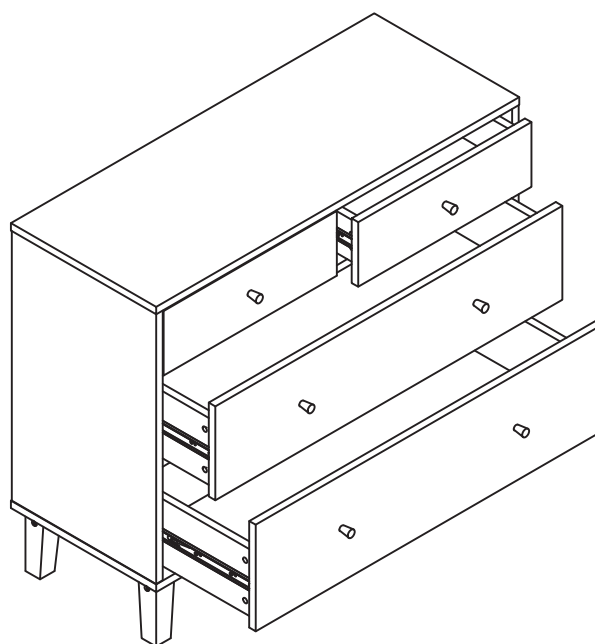
# CEILAN

CE-0101BC

15



16



# BANAK

# CEILAN

CE-0101BC

17

