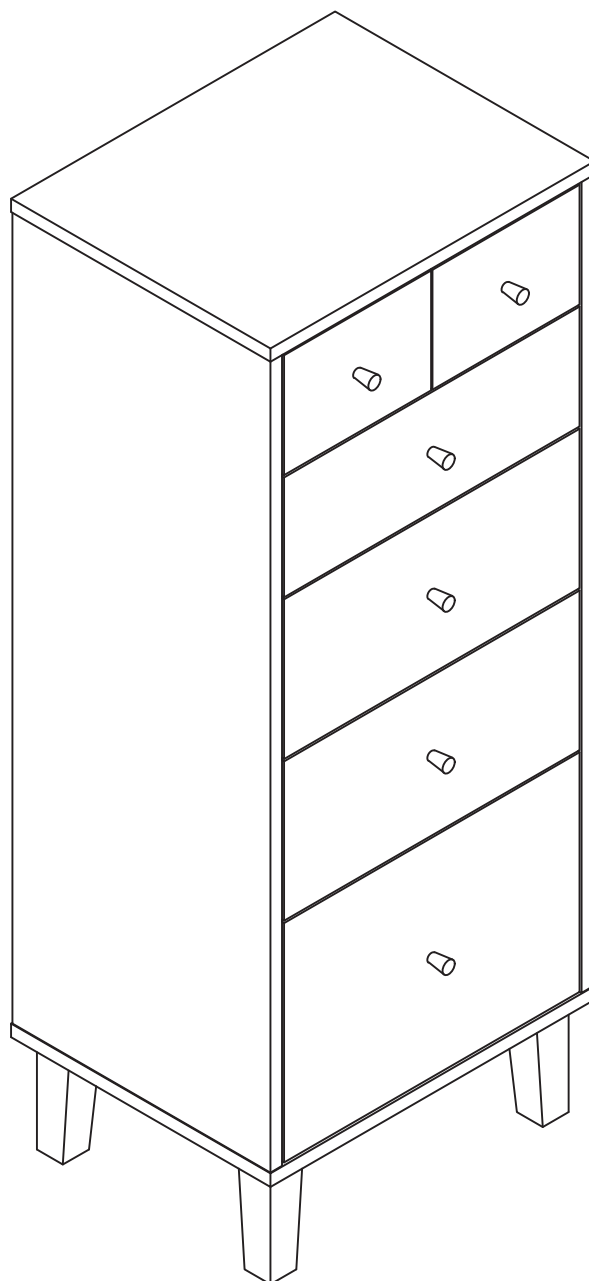


BANAK

CEILAN

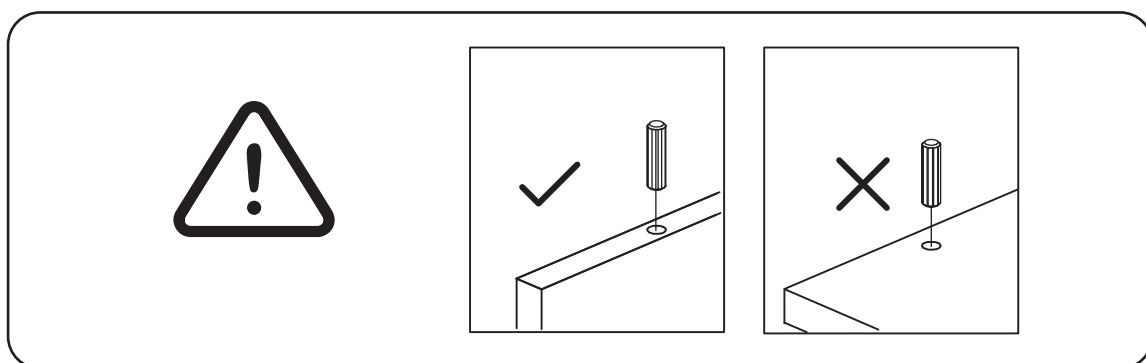
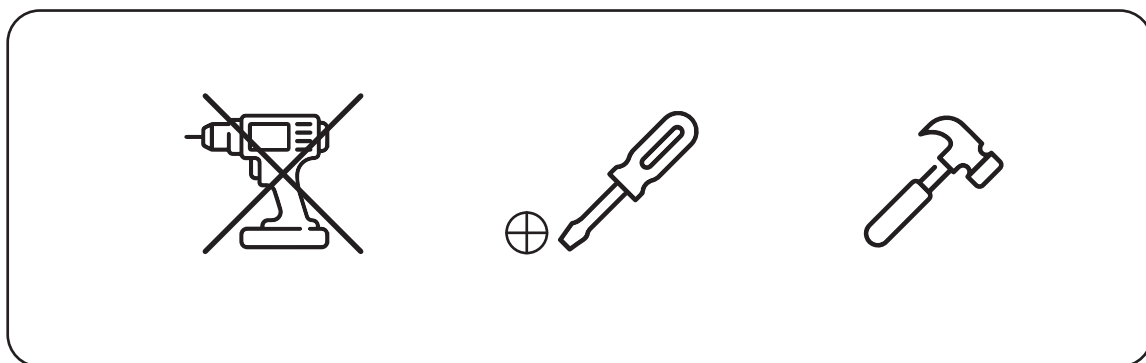
CE-0102BC



BANAK

CEILAN

CE-0102BC



BANAK

CEILAN





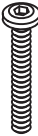


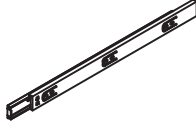






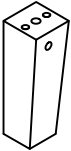
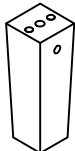

CE-0102BC

1	x1	500x400x18MM
2	x1	500x400x18MM
3A	x1	1084x398x18MM
3B	x1	1084x398x18MM
4	x1	362x156 x18MM
5A	x1	227x150x18MM
5B	x1	227x150x18MM
6	x1	456x187 x18MM
7	x2	456x217 x18MM
8	x1	456x296 x18MM
9	x1	462x362x18MM
10	x3	462x64x18MM
11A	x3	332x160x18MM
11B	x3	332x160x18MM
12A	x3	332x100x18MM
12B	x3	332x100x18MM
13	x1	441x100x18MM
14	x2	201x100x18MM
15	x3	441 x160x18MM
16	x2	342x175x5MM
17	x4	415x342x5MM
18	x2	1094x235x5MM

BANAK

CEILAN

CE-0102BC

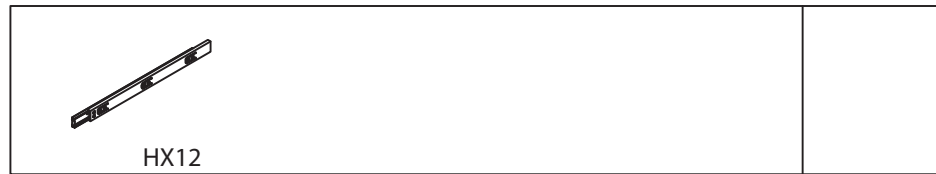
 φ15*12 AX22	 M6*35 BX22	 φ8*40 CX22	 M3.5*15 DX82
 EX4	 FX4	 φ8*20 GX8	 350MM HX12
 φ12*12 IX48	 M6*24 JX48	 KX6	 LX6
 MX1	 NX10	 OX2	 PX2
 QX1			

BANAK

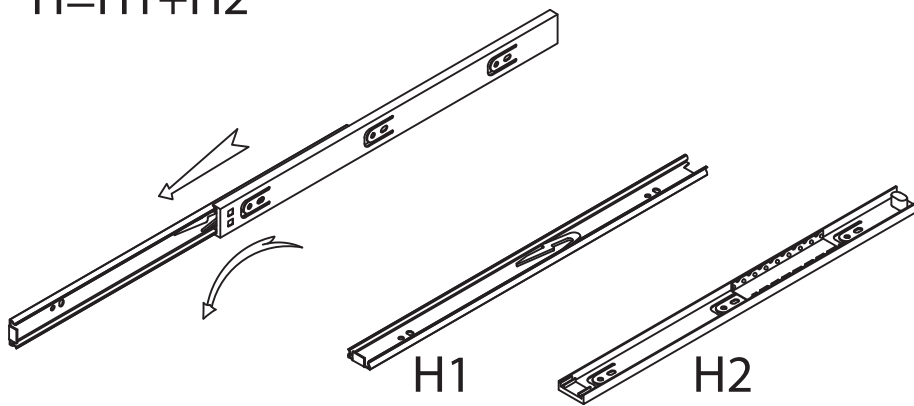
CEILAN

CE-0102BC

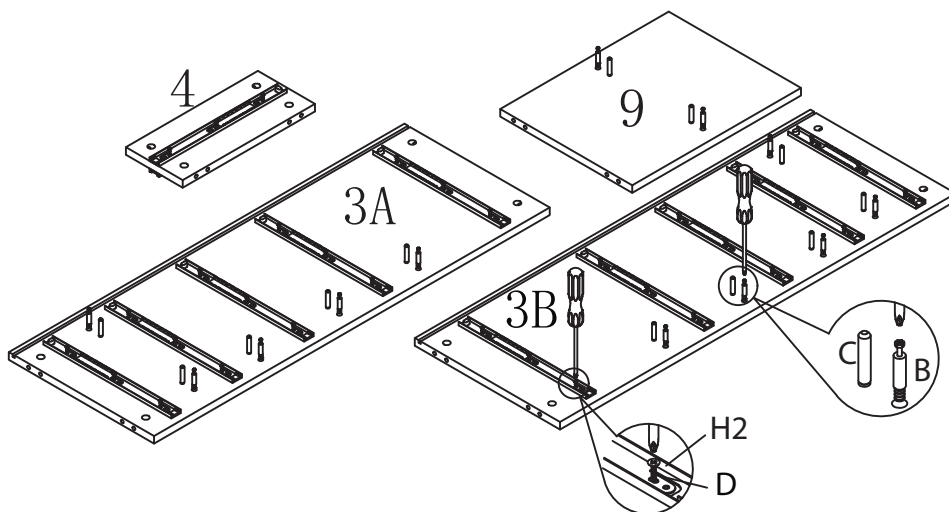
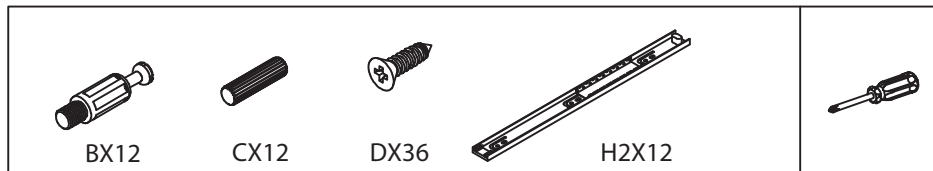
1



$$H = H1 + H2$$



2



BANAK

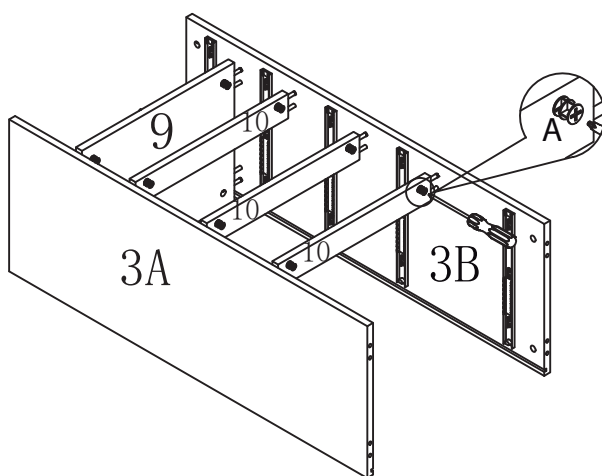
CEILAN

CE-0102BC

3



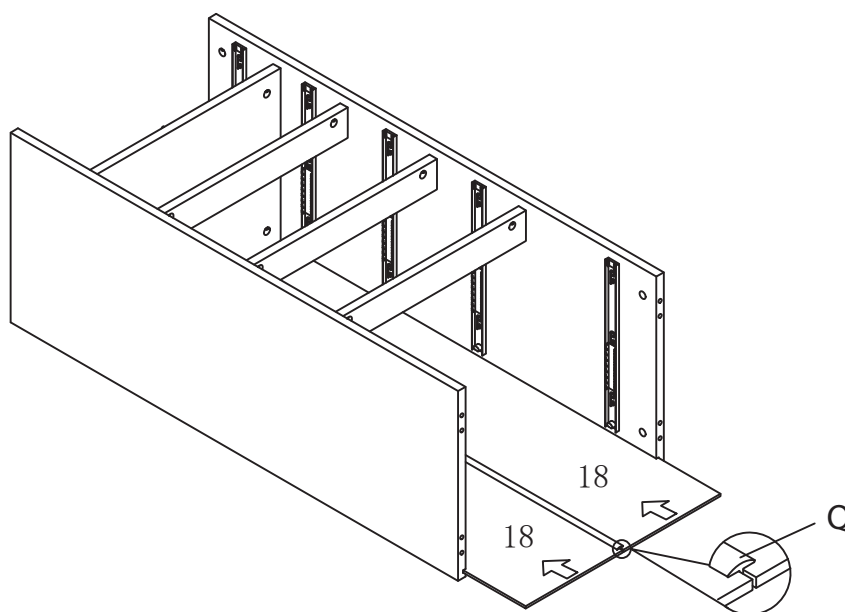
AX10



4



QX1

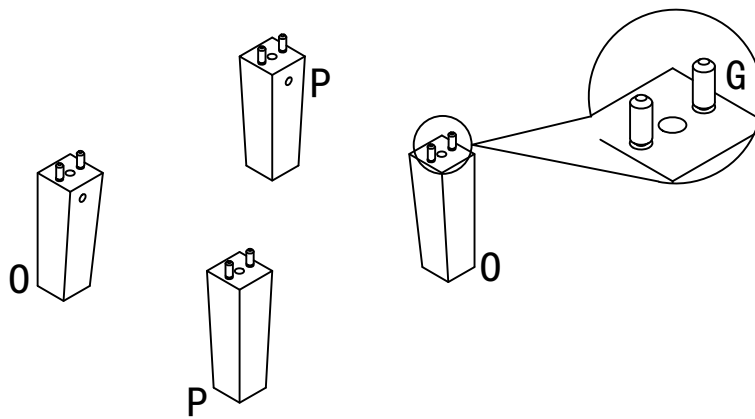


BANAK

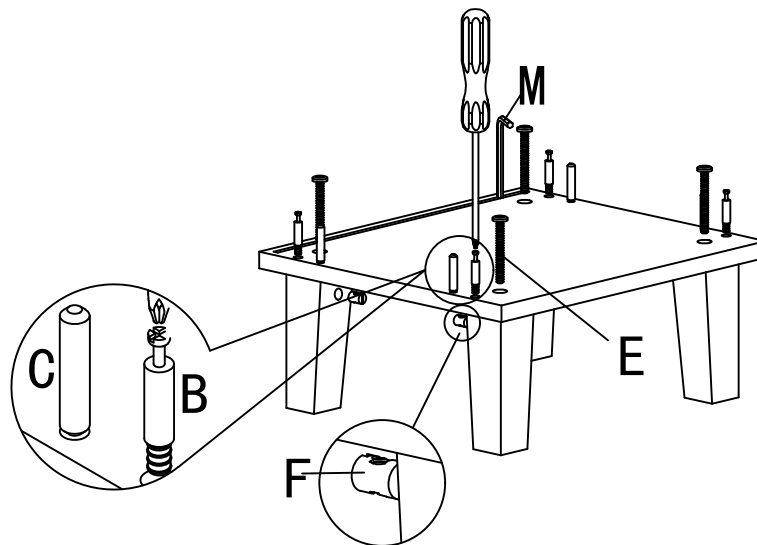
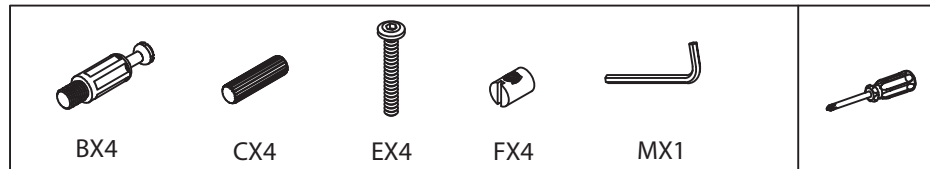
CEILAN

CE-0102BC

5



6



BANAK

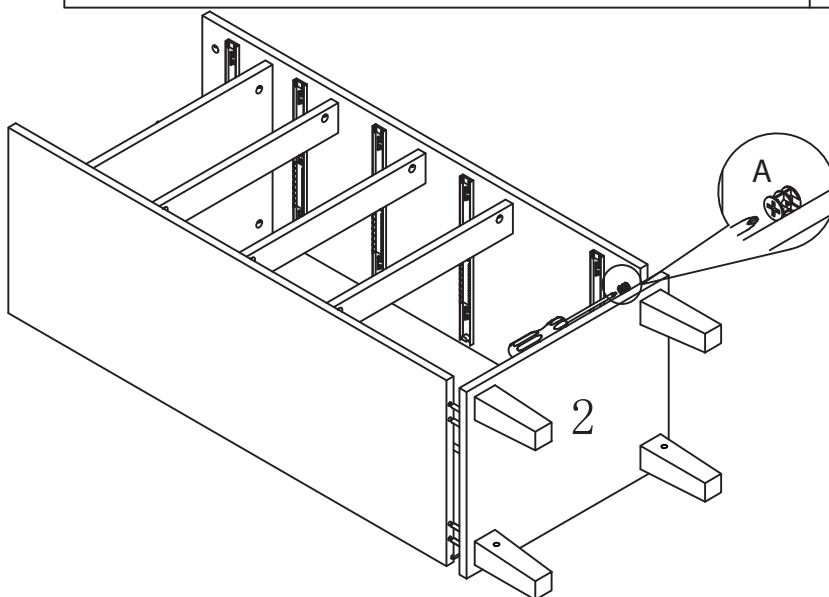
CEILAN

CE-0102BC

7



AX4



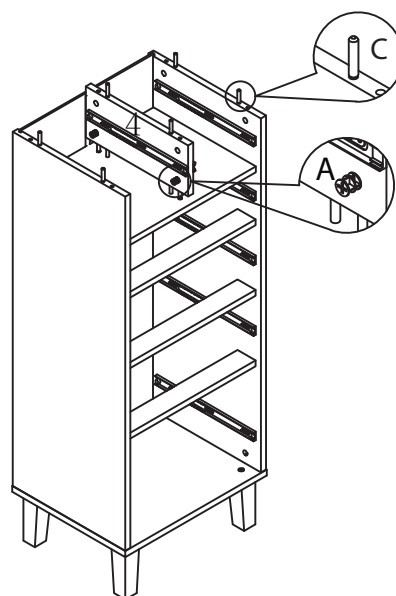
8



CX6



AX2



BANAK

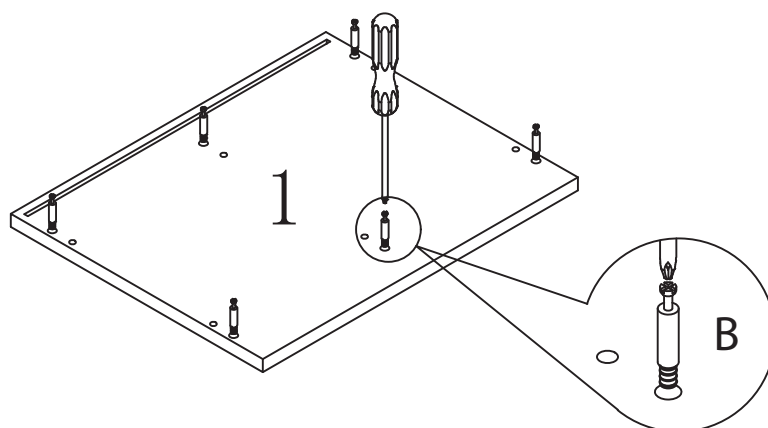
CEILAN

CE-0102BC

9



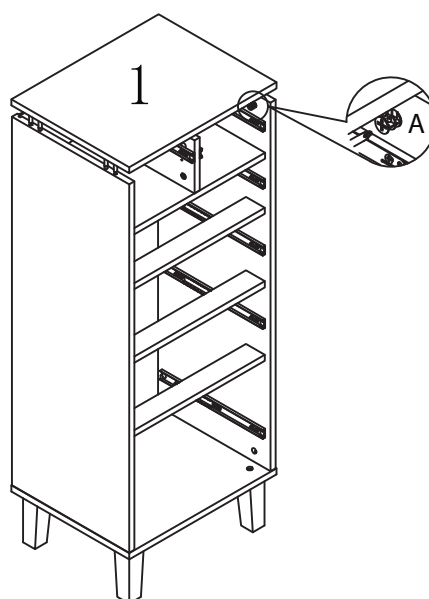
BX6



10



AX6



BANAK

CEILAN

CE-0102BC

11



JX24



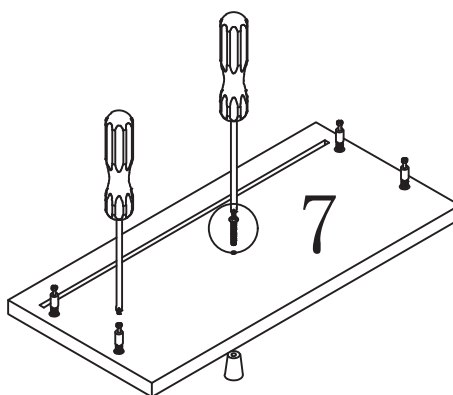
KX6



LX6



5A/5B/6/7x2 /8



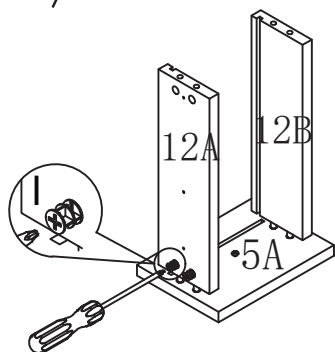
12



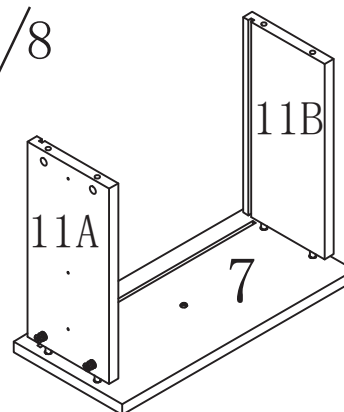
IX24



5A/5B/6



7x2 /8



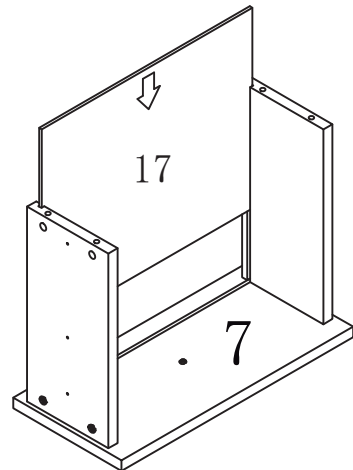
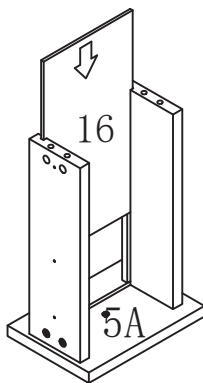
BANAK

CEILAN

CE-0102BC

13 5A/5B

6/7x2 /8



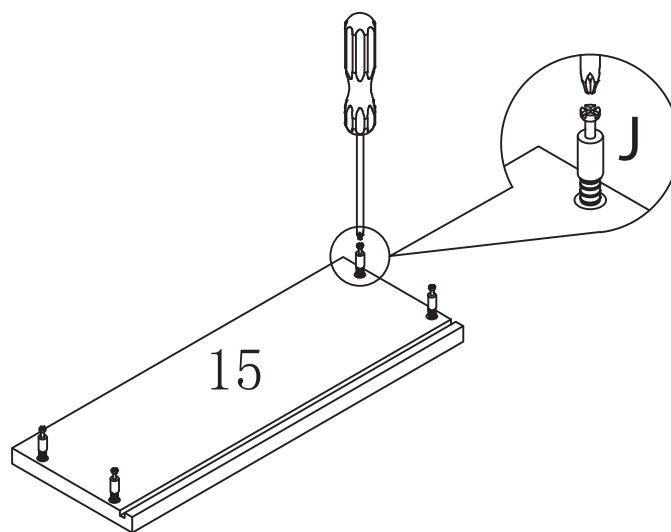
14



JX24



13/14x2/15x3



BANAK

CEILAN

CE-0102BC

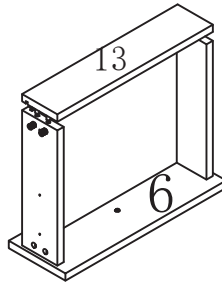
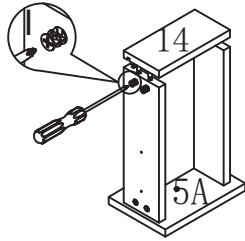
15



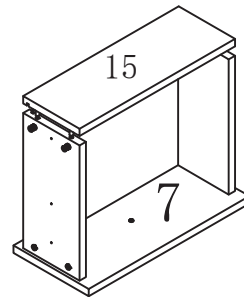
IX24



5A/5B



7x2 / 8



16



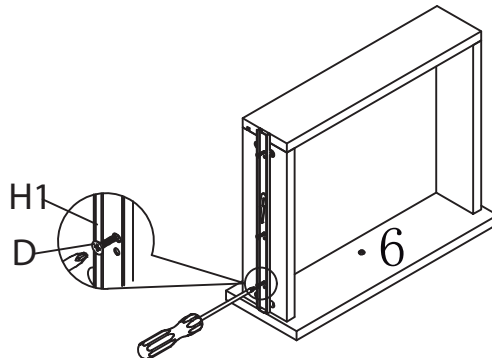
DX36



H1X12



5A/5B/6/7x2 / 8

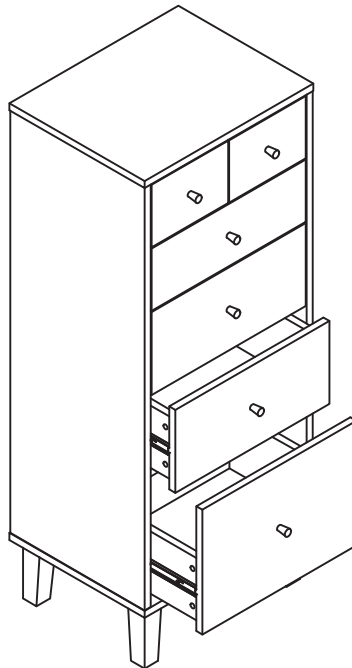


BANAK

CEILAN

CE-0102BC

17



18



NX10



DX10

