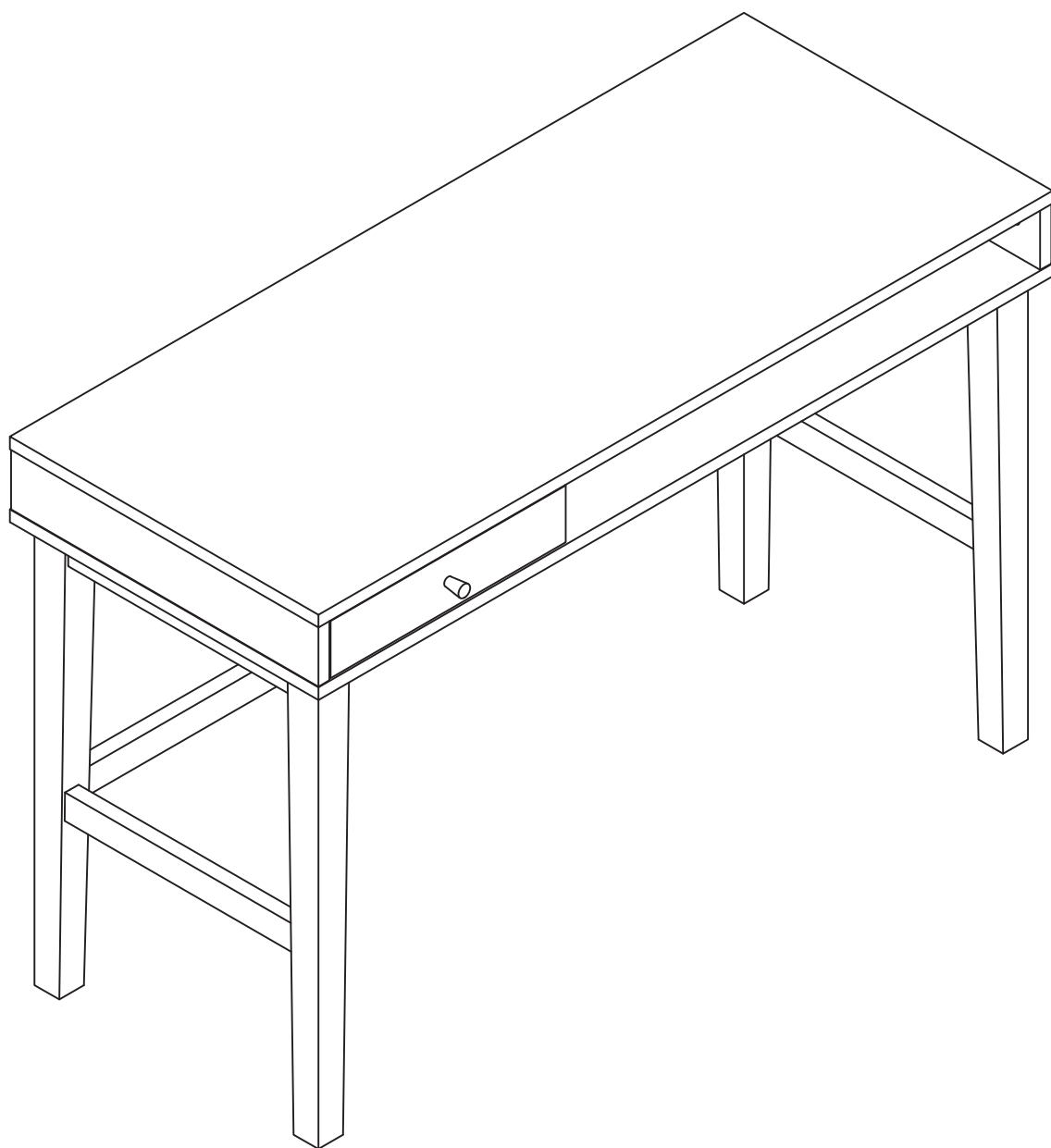


BANAK

CEILAN

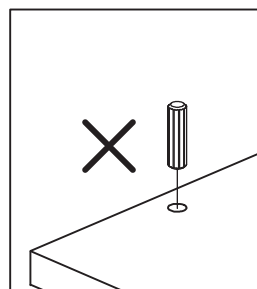
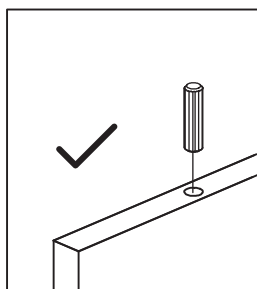
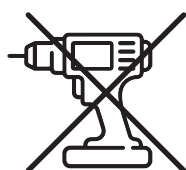
CE-0103BC



BANAK

CEILAN

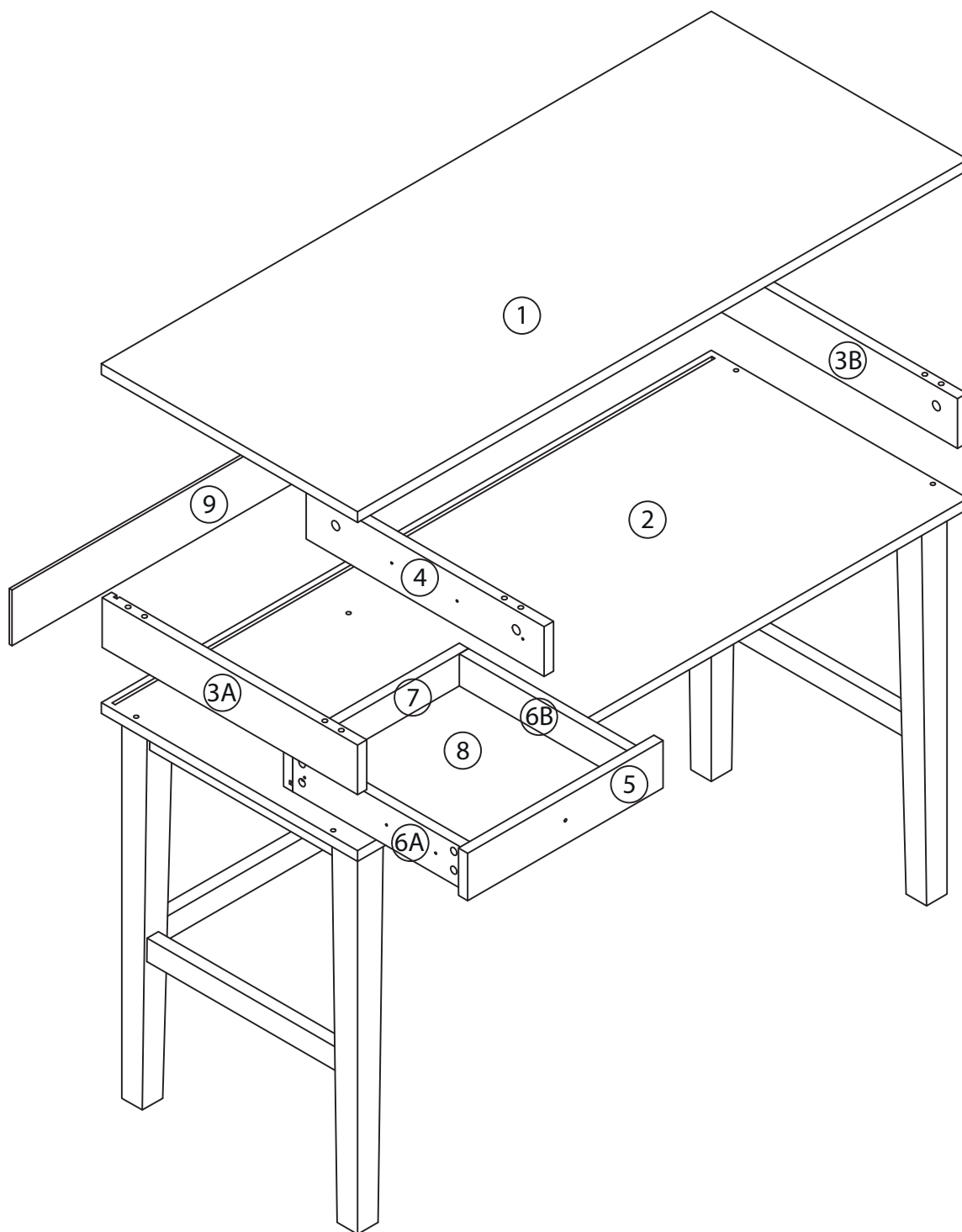
CE-0103BC



BANAK

CEILAN

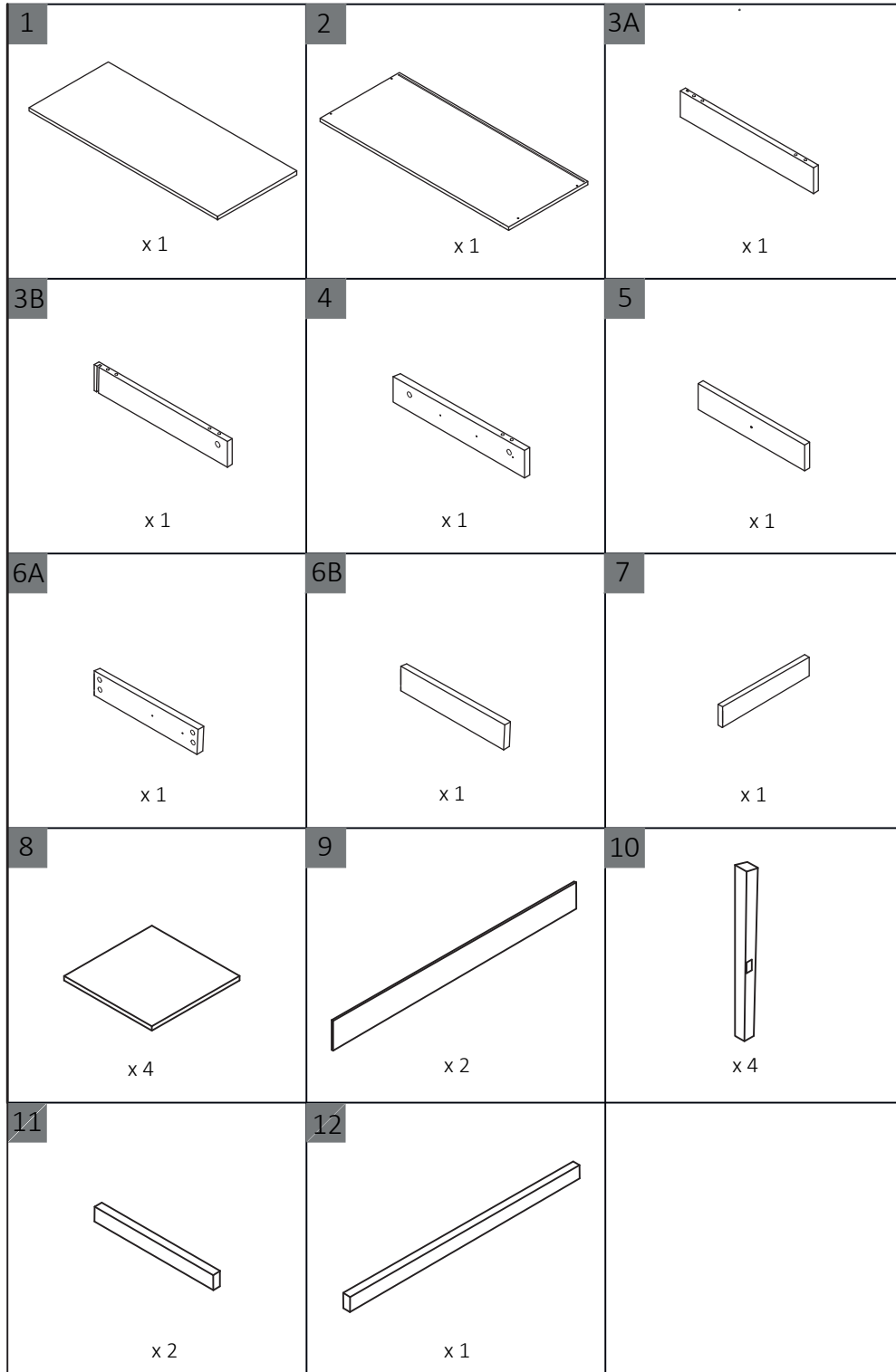
CE-0103BC



BANAK

CEILAN





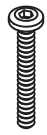


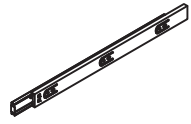






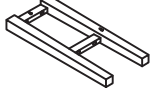
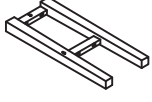
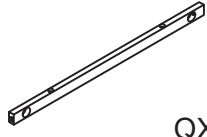
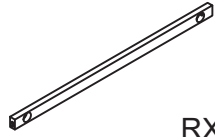




CE-0103BC



BANAK

CEILAN

CE-0103BC

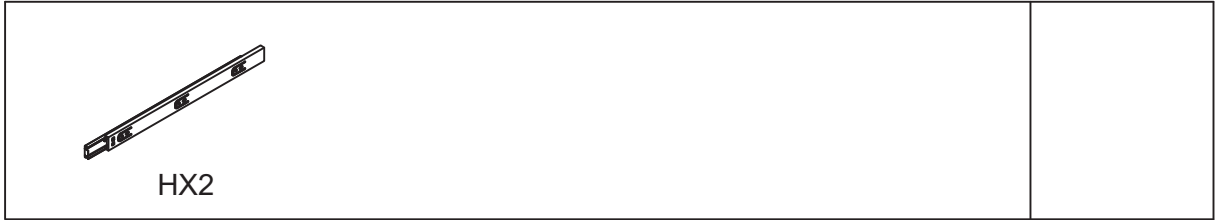
 φ15*12 AX6	 M6*35 BX6	 φ8*40 CX6	 M3.5*15 DX12
 EX4	 M6 FX4	 GX1	 250MM HX2
 φ12*12 IX8	 M6*24 JX8	 KX1	 LX1
 MX1	 NX4	 OX1	 PX1
 QX1	 RX1	 SX4	 M8 TX4
 UX4	 VX6		

BANAK

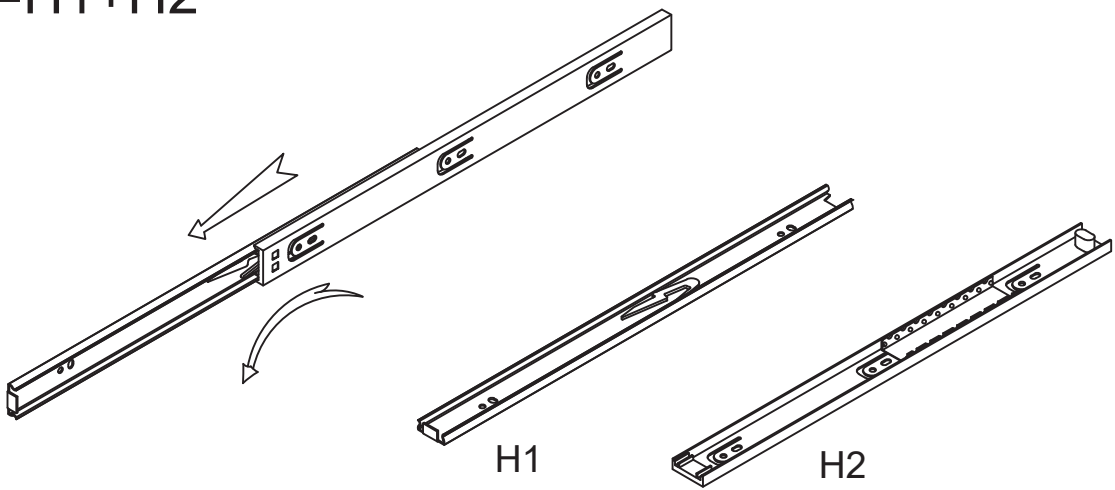
CEILAN

CE-0103BC

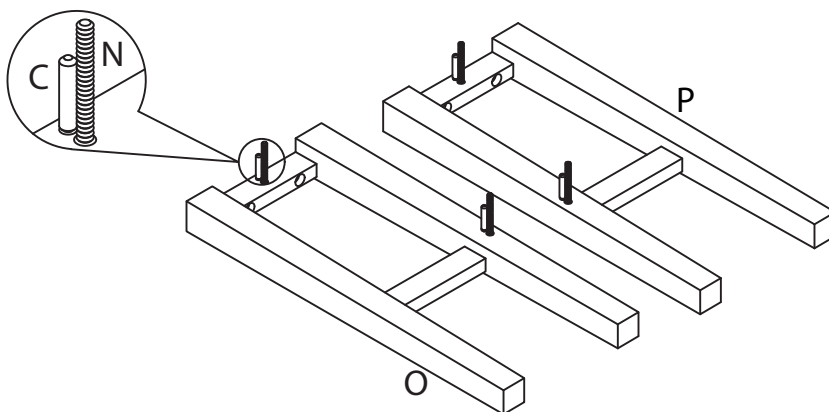
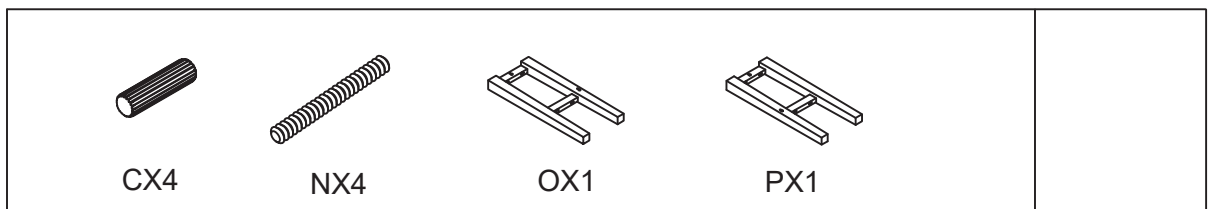
1



$$H=H1+H2$$



2

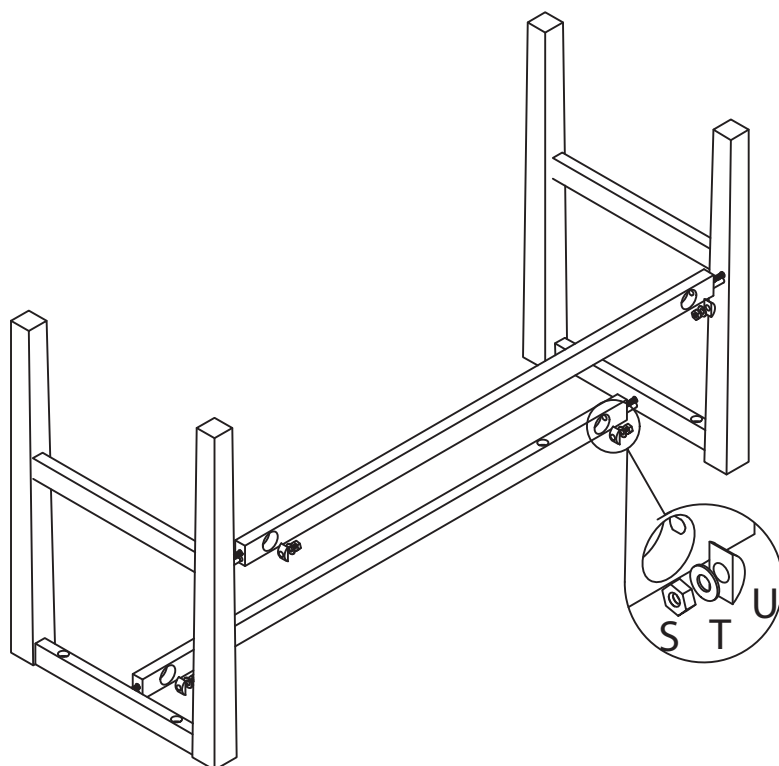
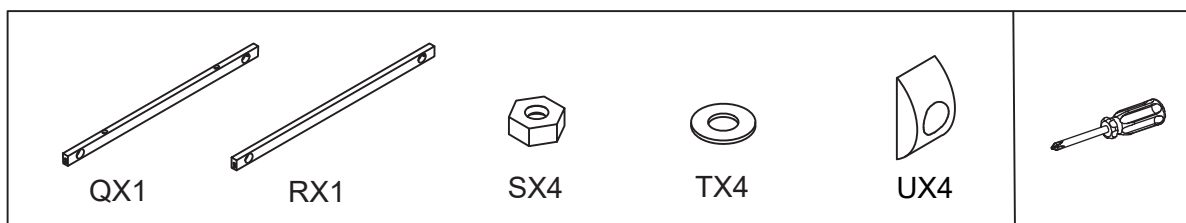


BANAK

CEILAN

CE-0103BC

3

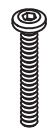


BANAK

CEILAN

CE-0103BC

4



EX4



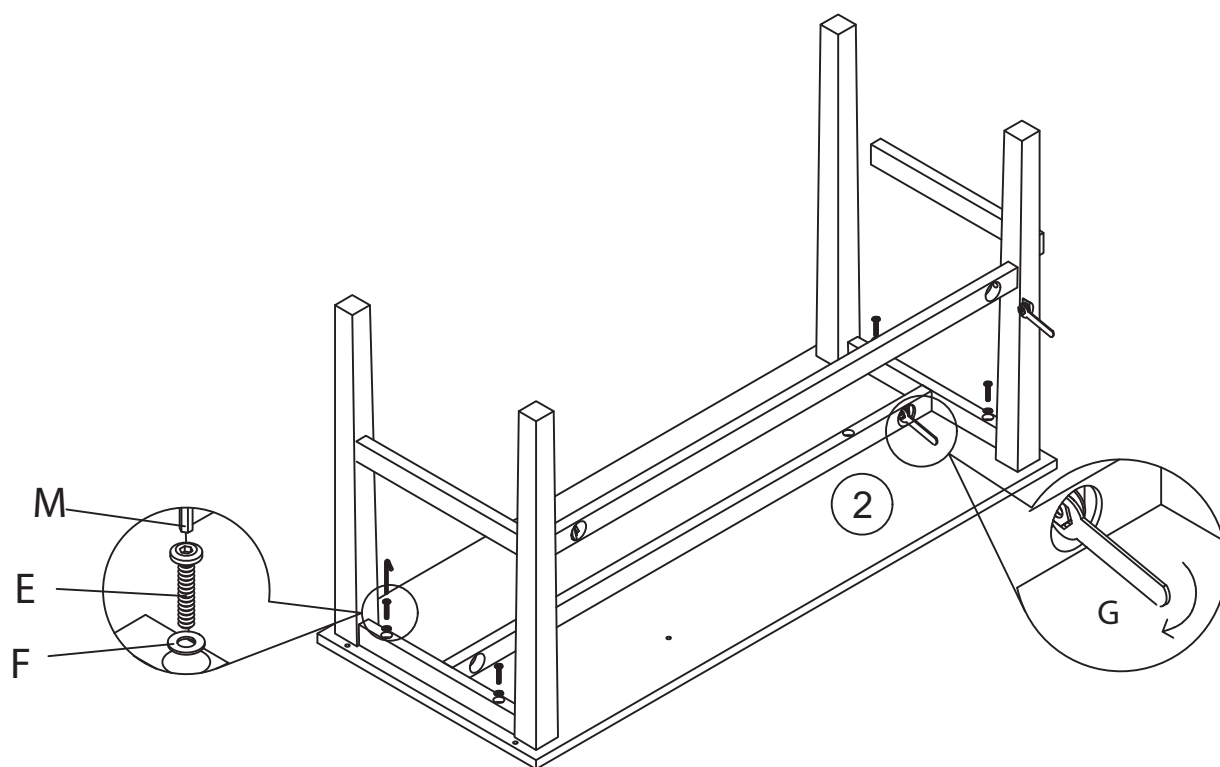
FX4



GX1



MX1



BANAK

CEILAN

CE-0103BC

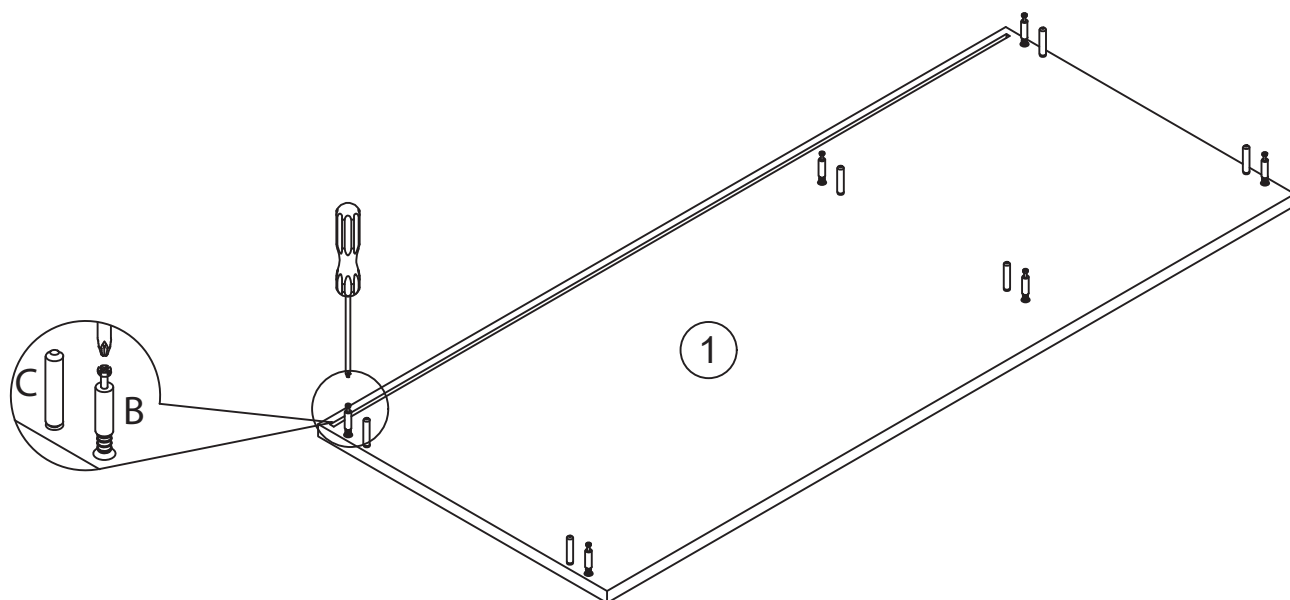
5



BX6



CX6



BANAK

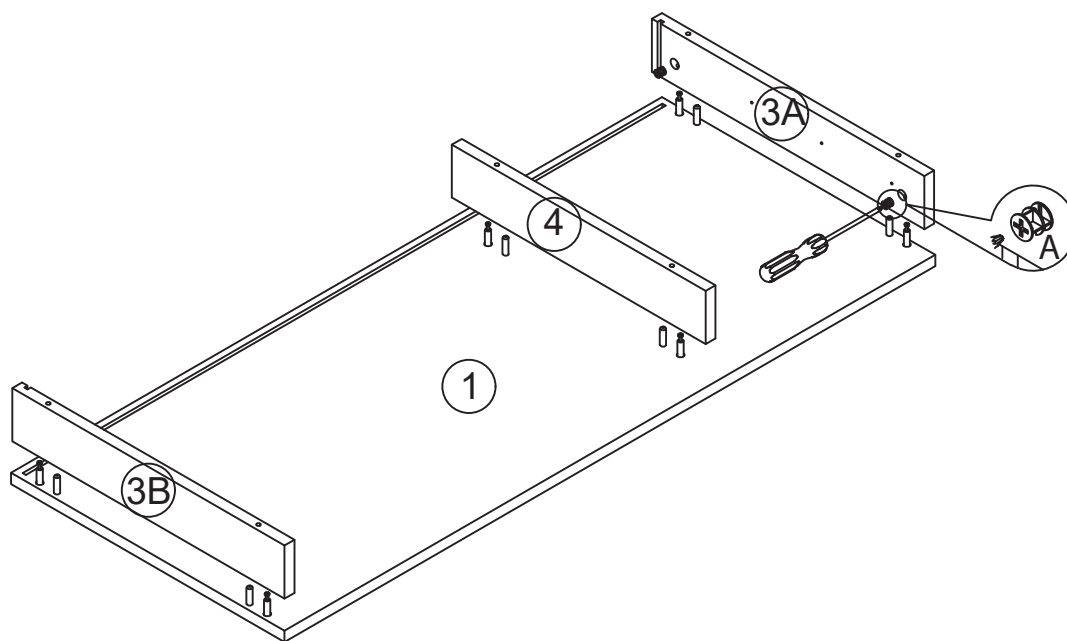
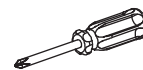
CEILAN

CE-0103BC

6



AX6

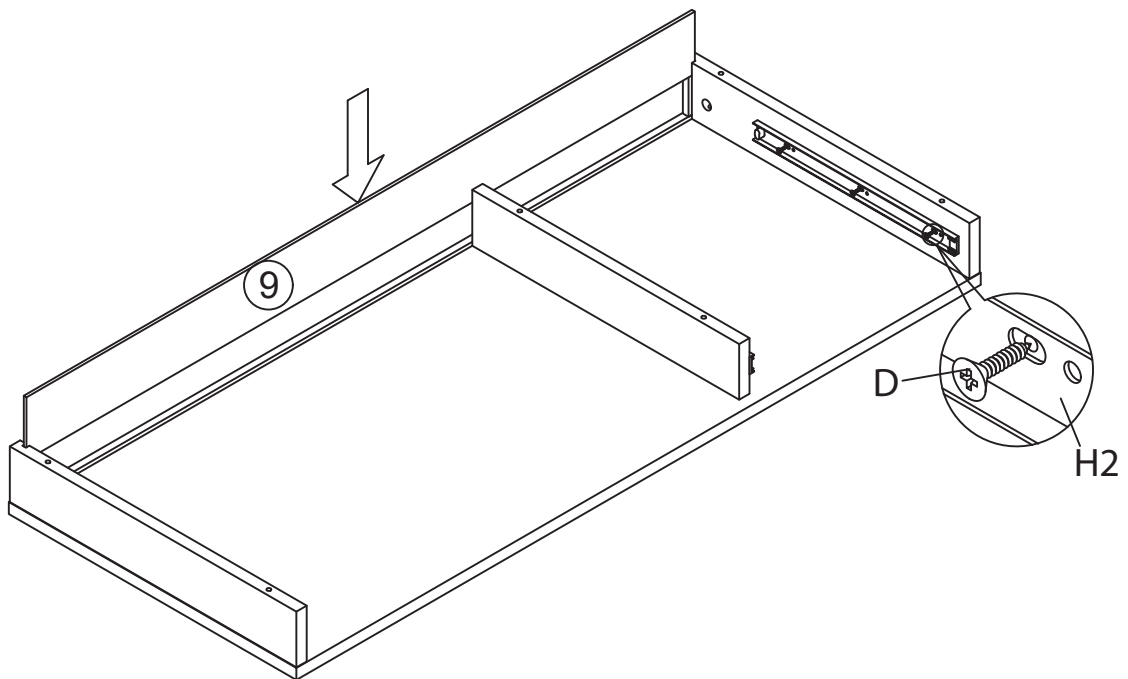
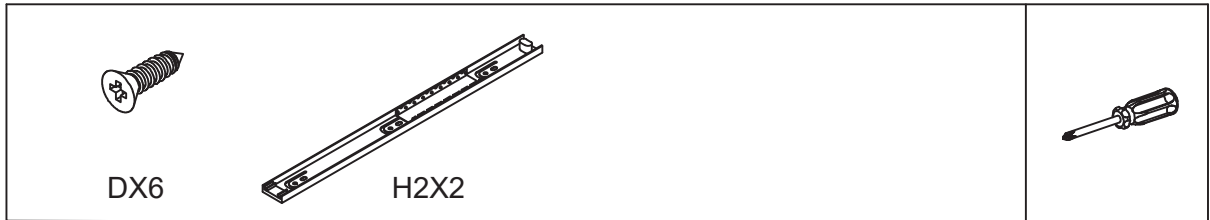


BANAK

CEILAN

CE-0103BC

7



BANAK

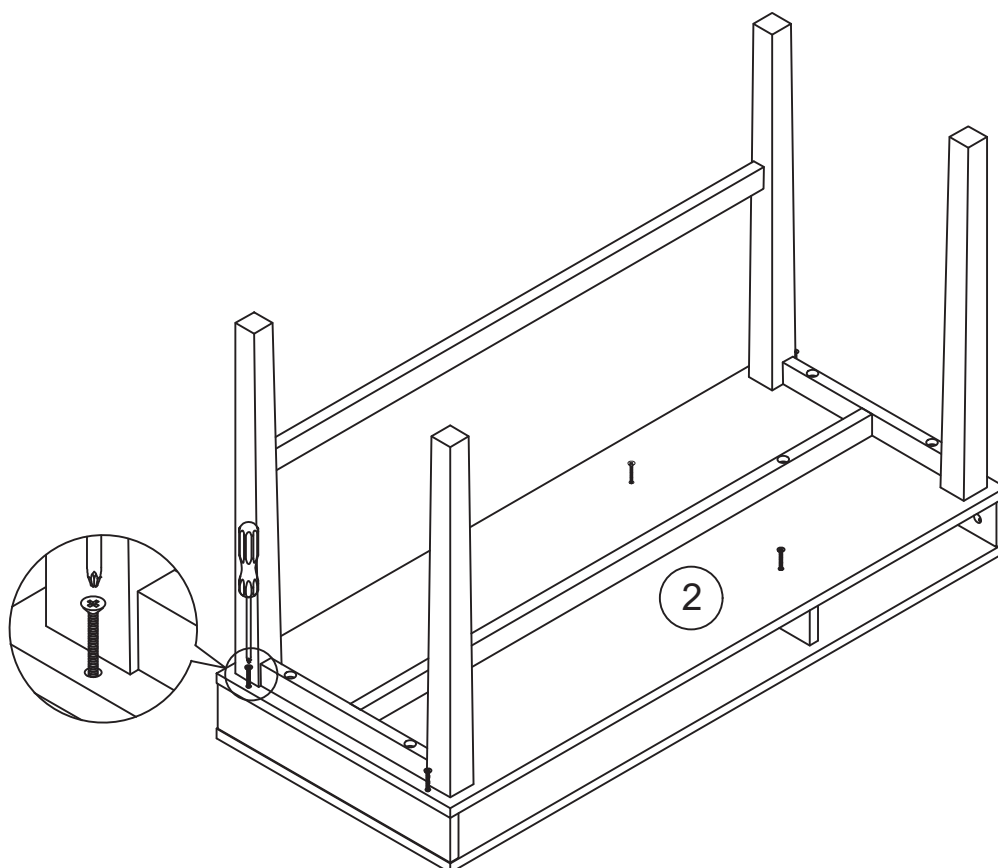
CEILAN

CE-0103BC

8



VX6



BANAK

CEILAN

CE-0103BC

9



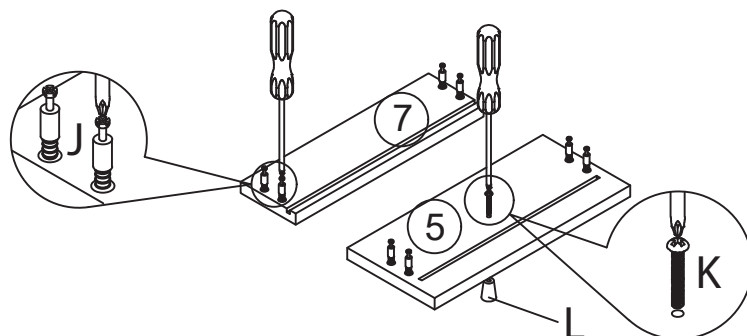
JX8



KX1



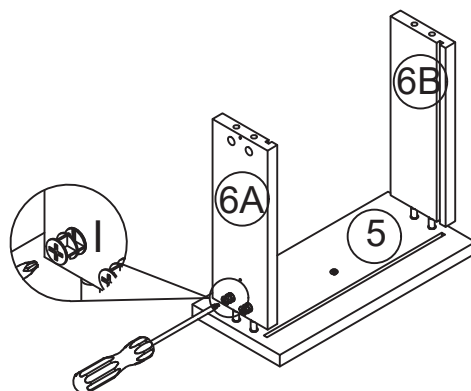
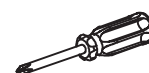
LX1



10



IX4

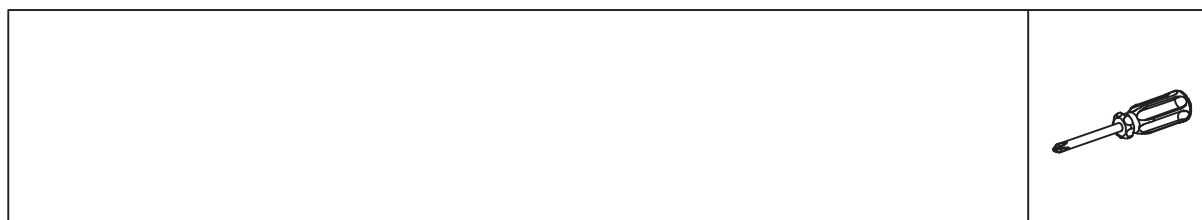


BANAK

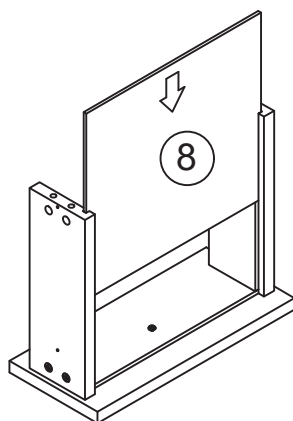
CEILAN

CE-0103BC

11



6A / 6B

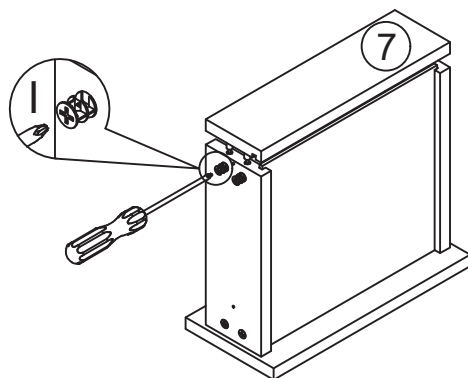


12



IX4

6A / 6B



BANAK

CEILAN

CE-0103BC

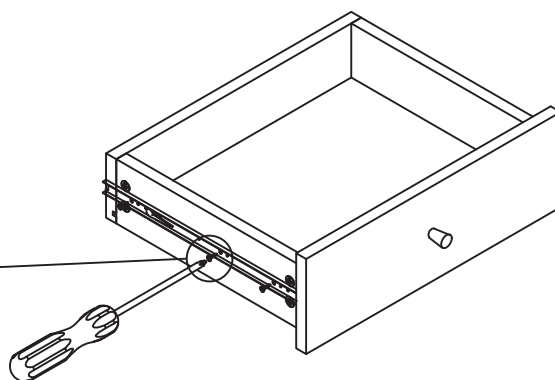
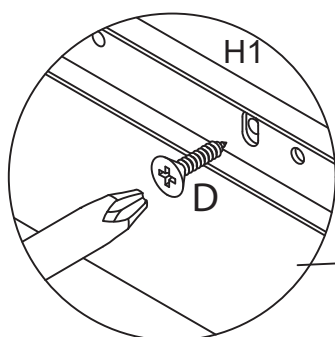
13



DX6



H1X2



14

