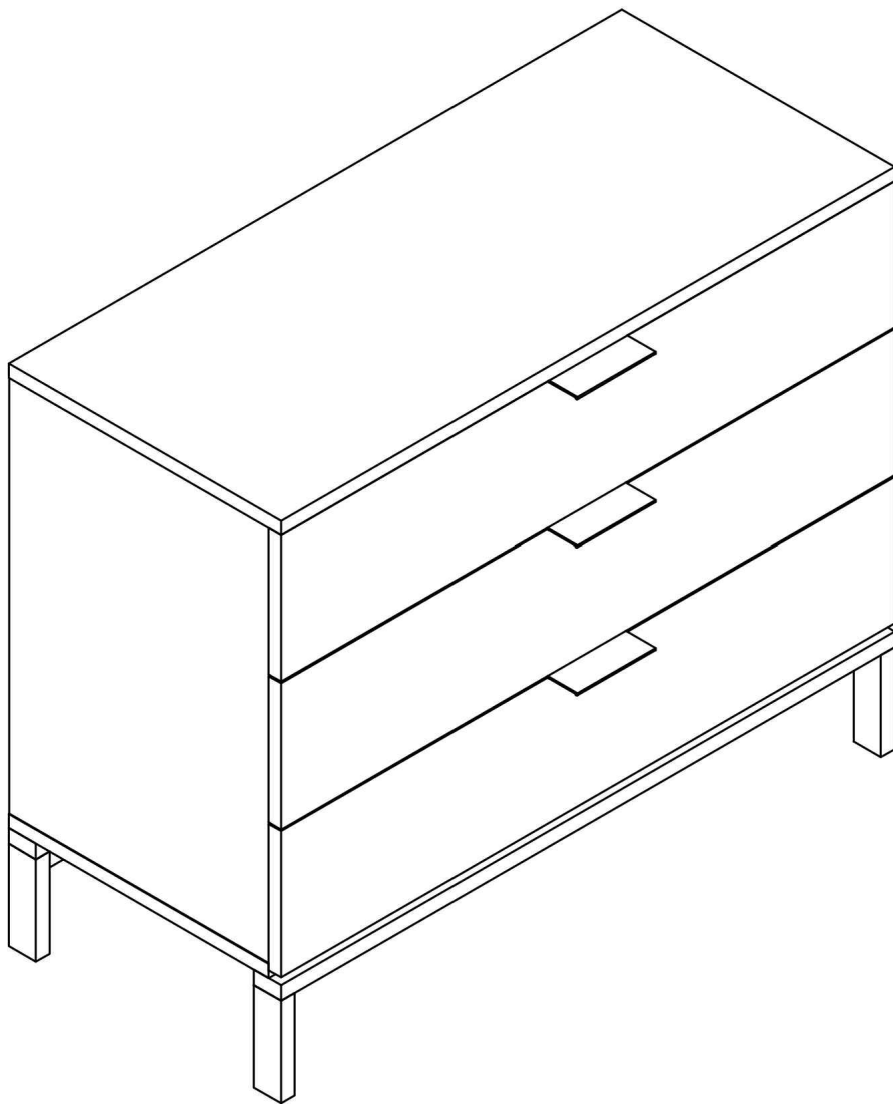


# BANAK

# COIMBRA

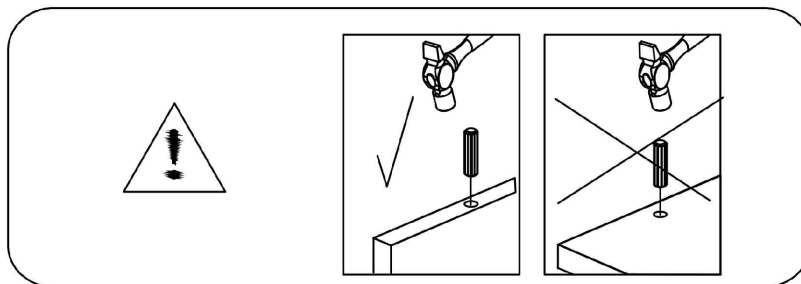
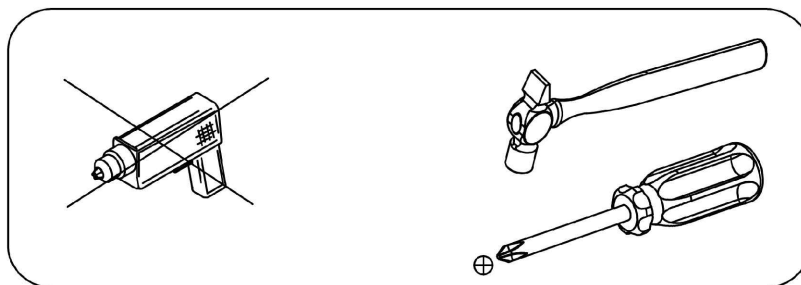
CR-0101



# BANAK

# COIMBRA

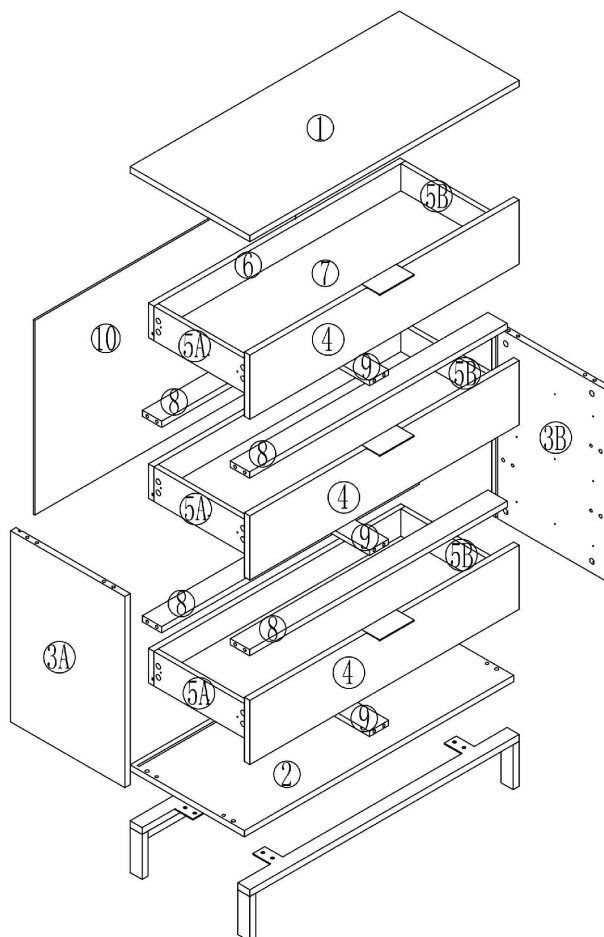
CR-0101



# BANAK

# COIMBRA

CR-0101







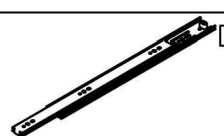





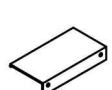








1	1	800x400x18 MM
2	1	800x382x18 MM
3A	1	564x382x18 MM
3B	1	564x382x18 MM
4	3	800x189x18 MM
5A	3	332x100x18 MM
5B	3	332x100x18 MM
6	3	741x100x18 MM
7	3	715x342x5 MM
8	4	761x64x18 MM
9	3	332x64x15 MM
10	1	772x574x5 MM

# BANAK

# COIMBRA

CR-0101

 φ 15x12 Ax28	 M6x35 Bx28	 φ 8x40 Cx16	 φ16xM6x1.5 Dx8
 M6 Ex8	 M6x16 Fx8	 350MM Gx6	 Hx1
 Ix24	 Jx24	 M3.5x15 Kx48	 Lx6
 Mx3	 Nx2	 Ox4	 Px4
 Qx4	 Rx4	 Sx2	

# BANAK

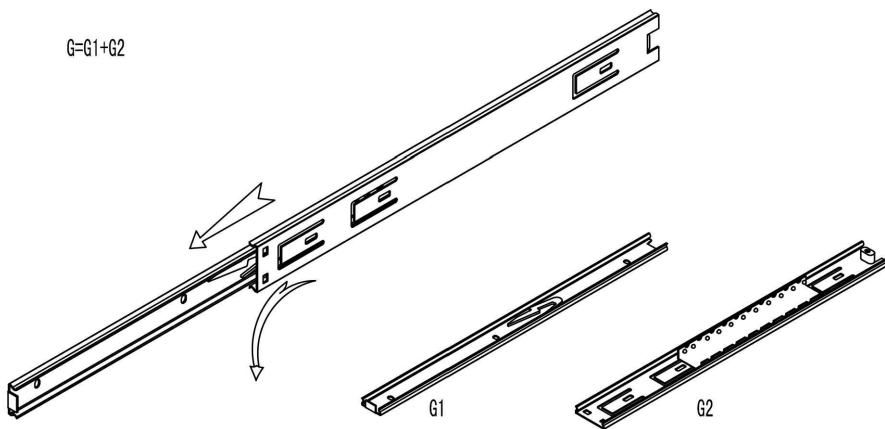
# COIMBRA

CR-0101

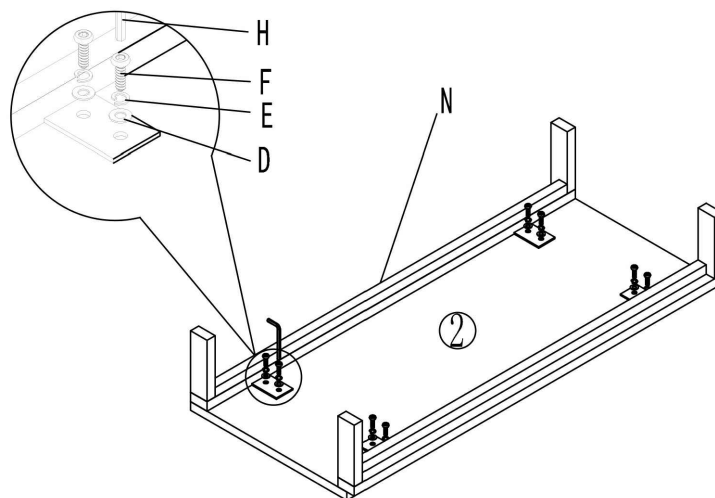
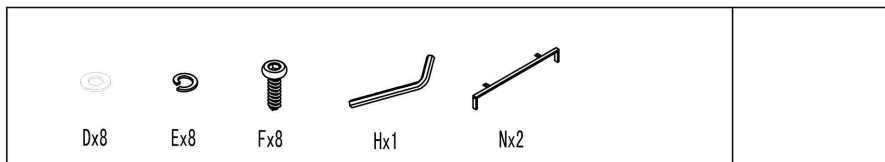
# 1



$G=G1+G2$



# 2

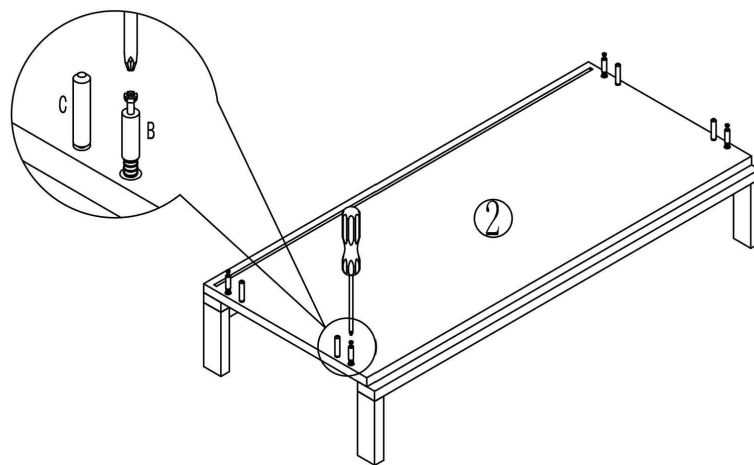


# BANAK

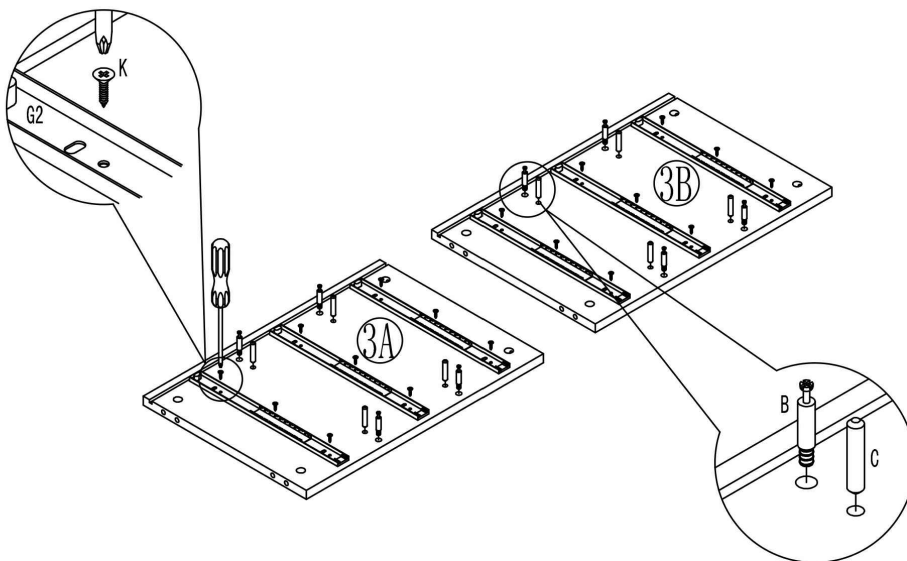
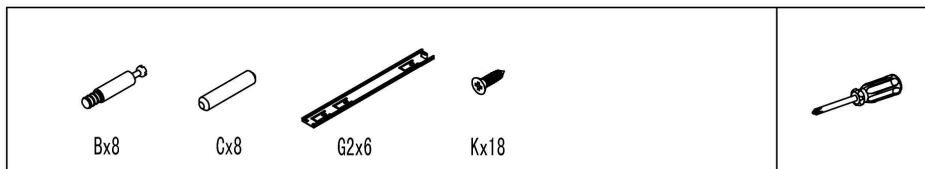
# COIMBRA

CR-0101

## 3



## 4



# BANAK

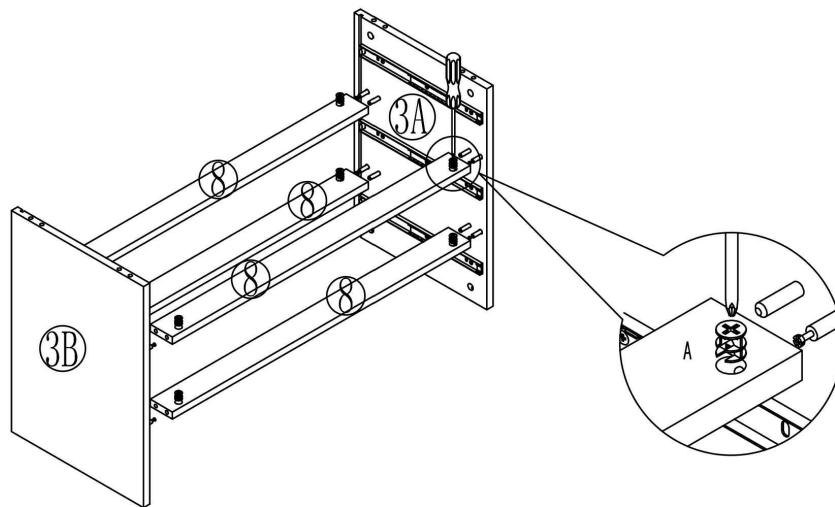
# COIMBRA

CR-0101

## 5



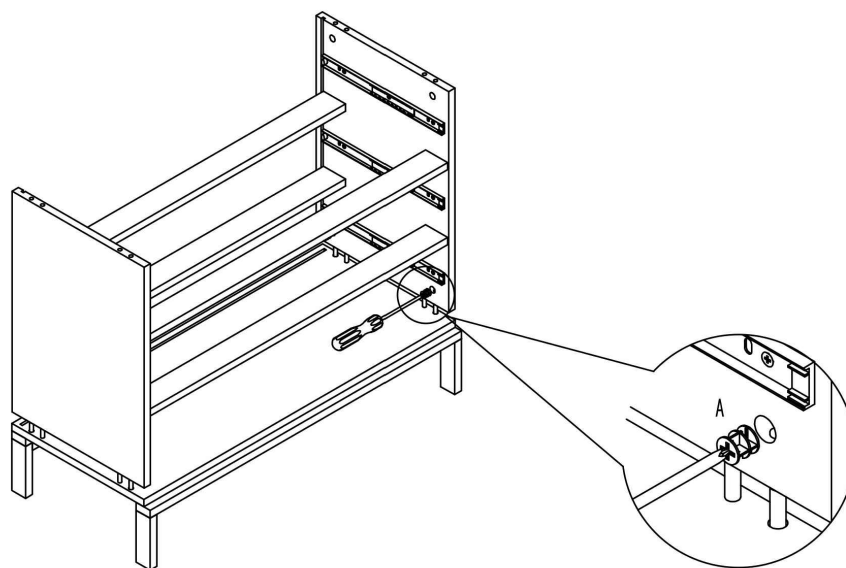
Ax8



## 6



Ax4

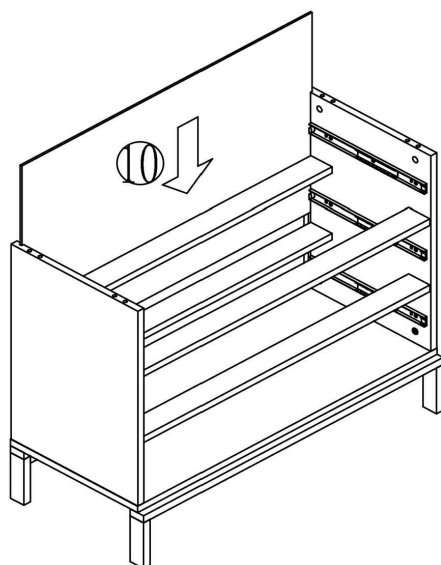


# BANAK

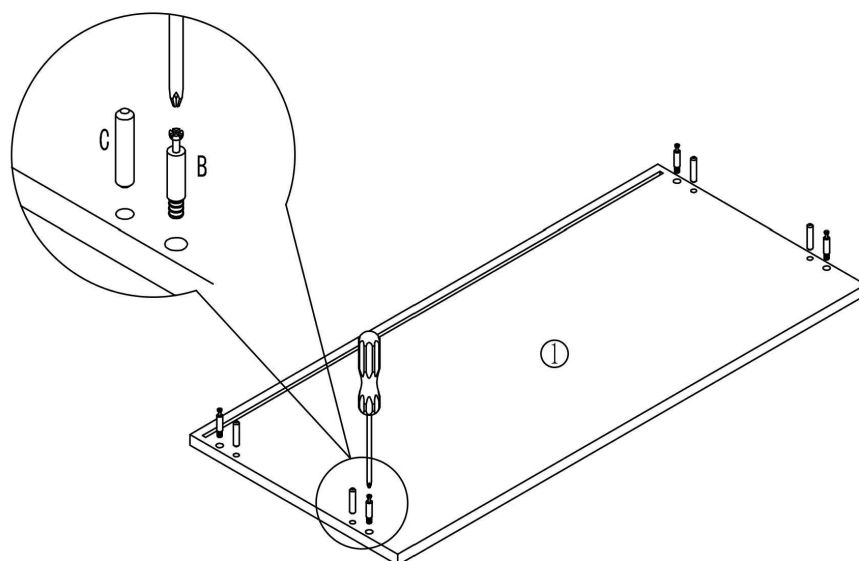
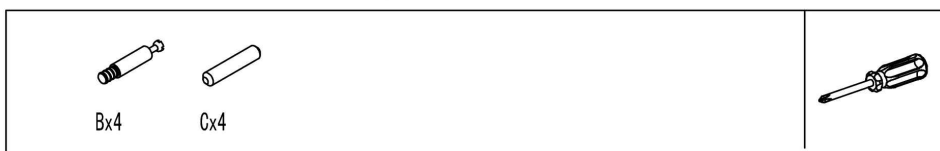
# COIMBRA

CR-0101

## 7



## 8





# BANAK

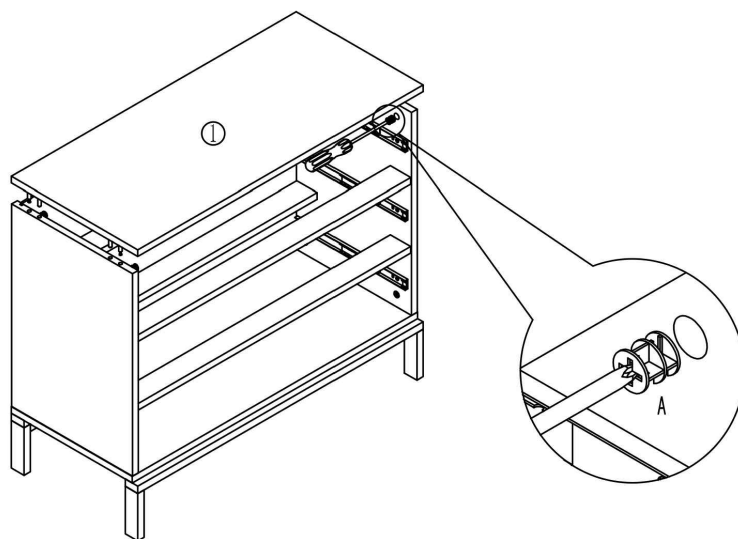
# COIMBRA

CR-0101

9



Ax4



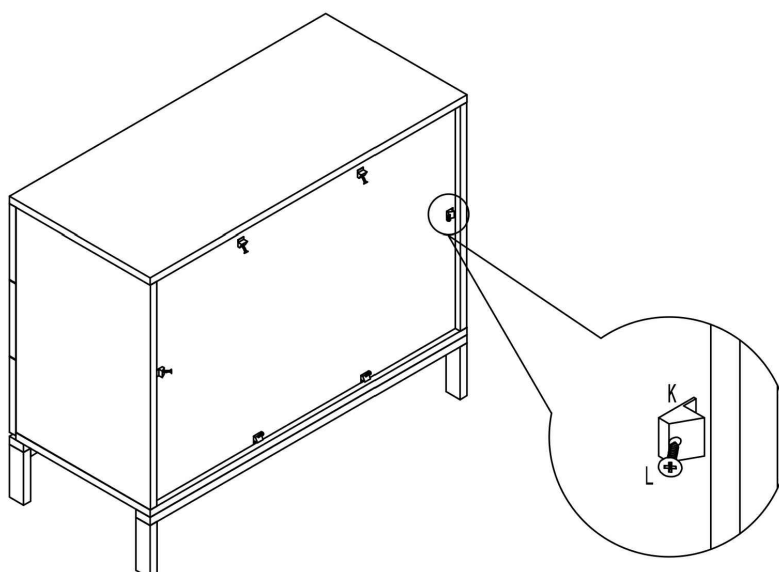
10



Kx6



Lx6

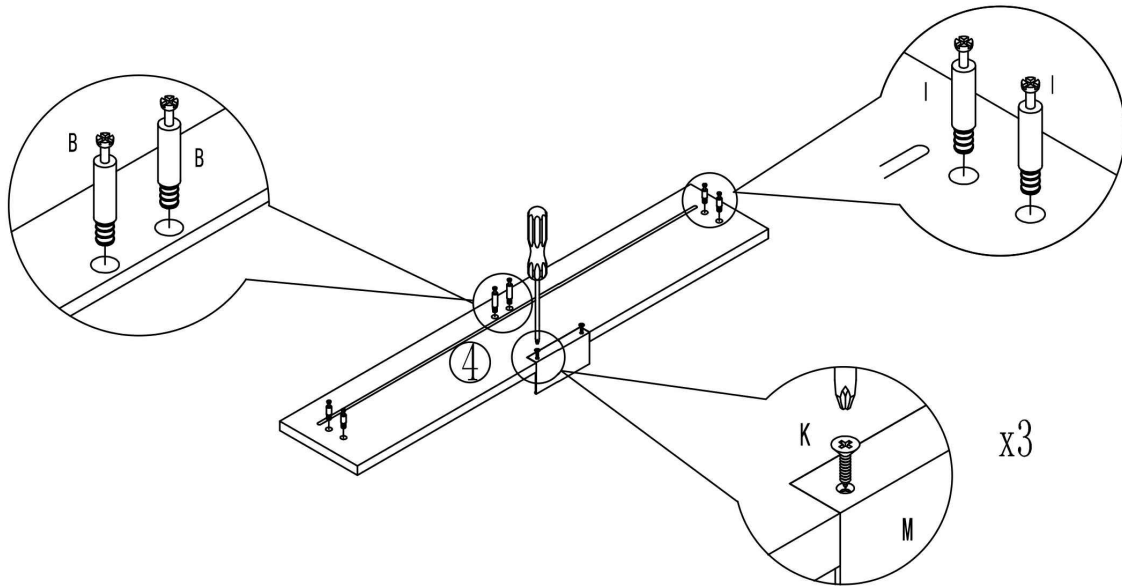
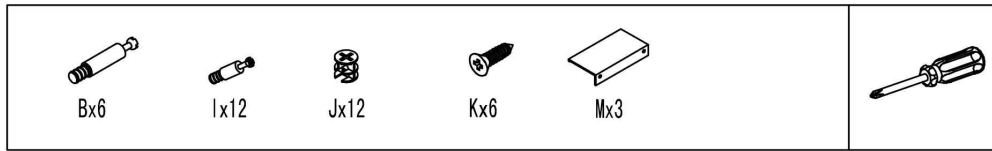


# BANAK

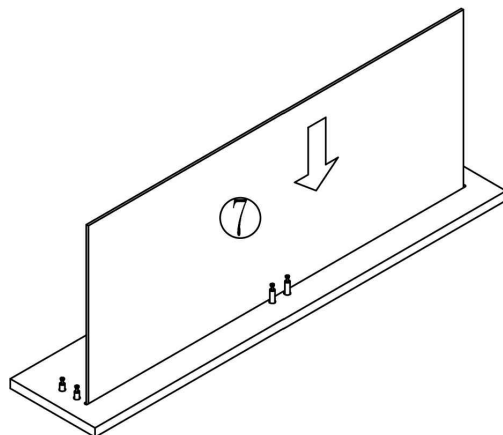
# COIMBRA

CR-0101

## 11



## 12



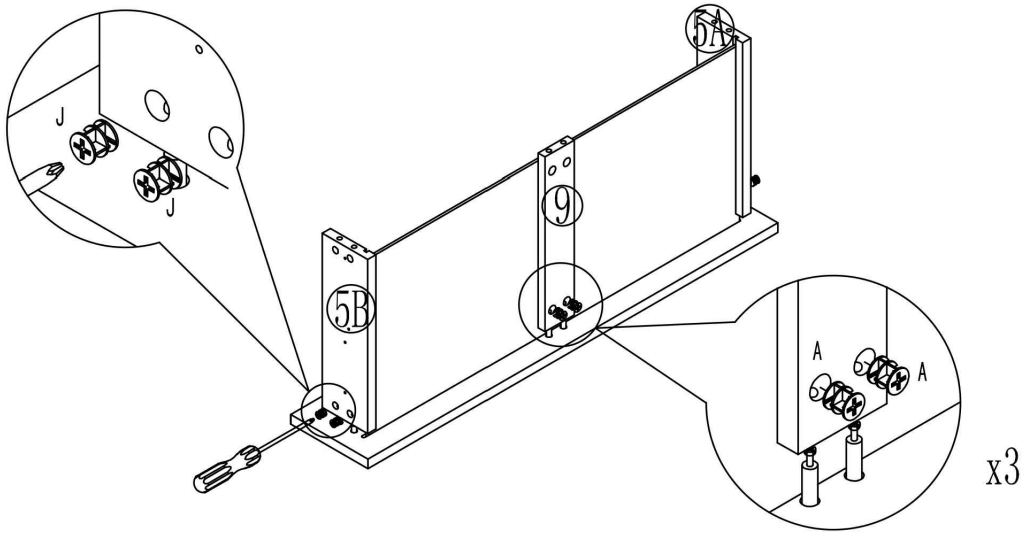
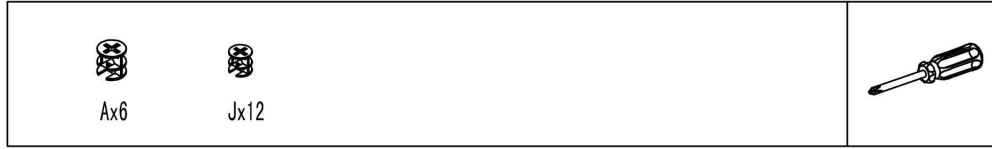
x3

# BANAK

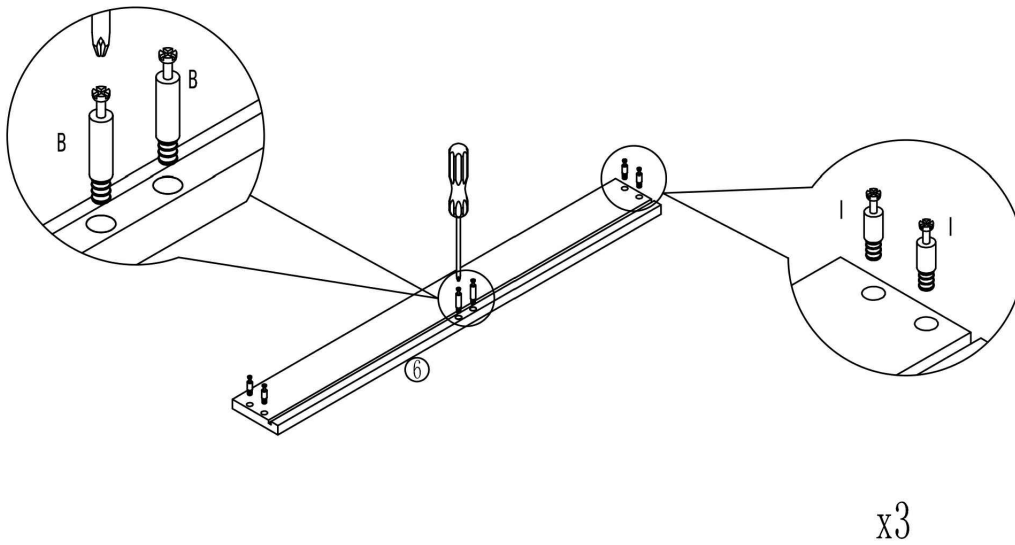
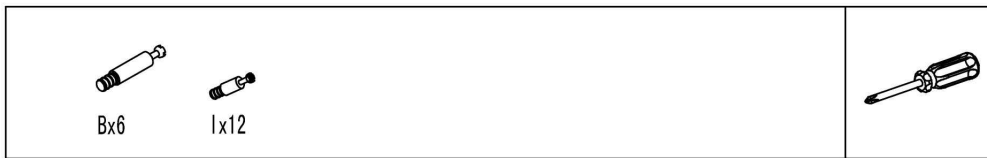
# COIMBRA

CR-0101

## 13



## 14

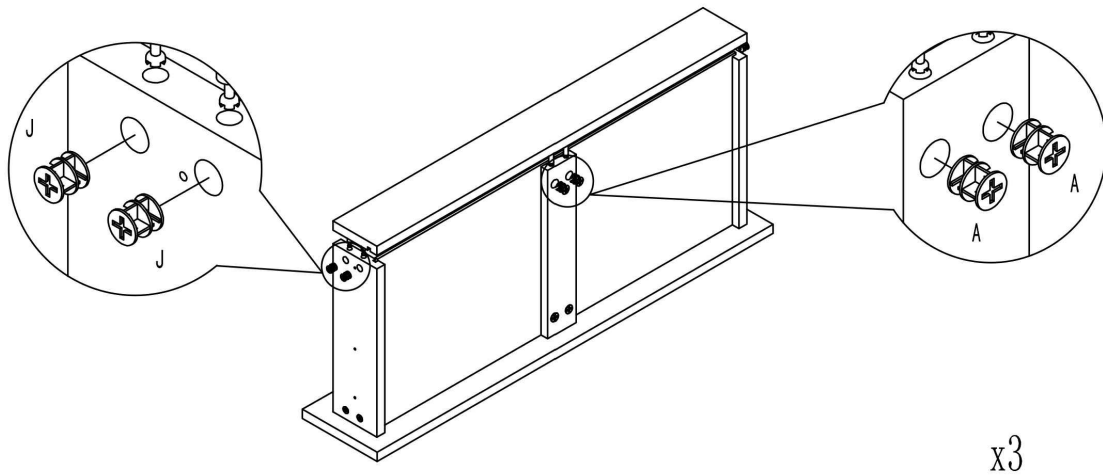
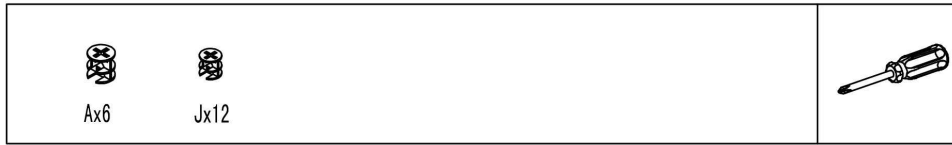


# BANAK

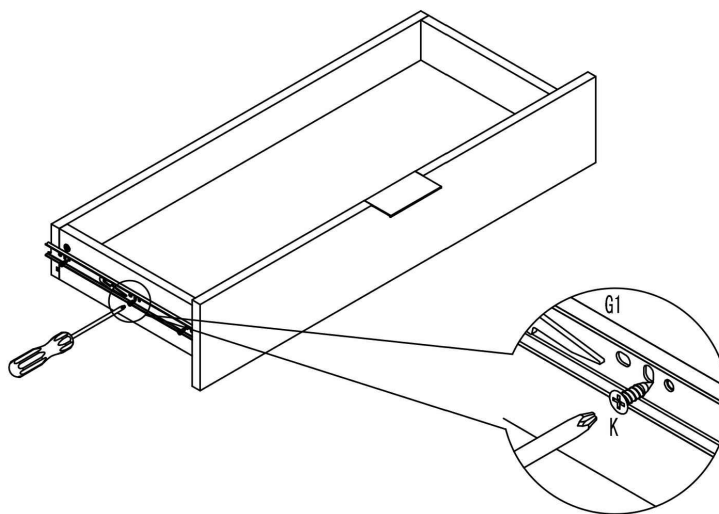
# COIMBRA

CR-0101

15



16

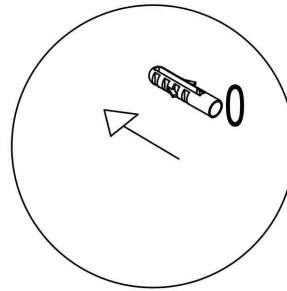
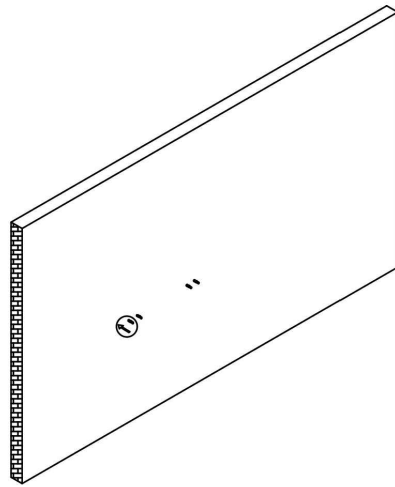


# BANAK

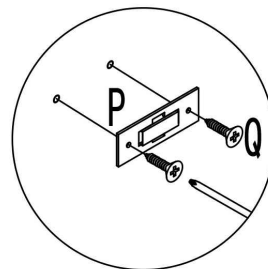
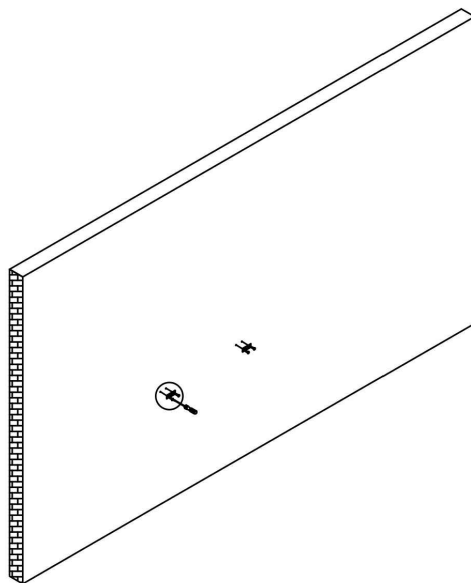
# COIMBRA

CR-0101

17



18

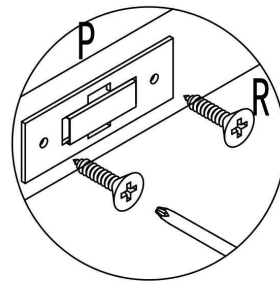
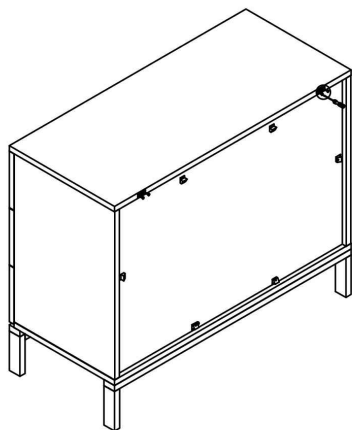


# BANAK

# COIMBRA

CR-0101

19



20

