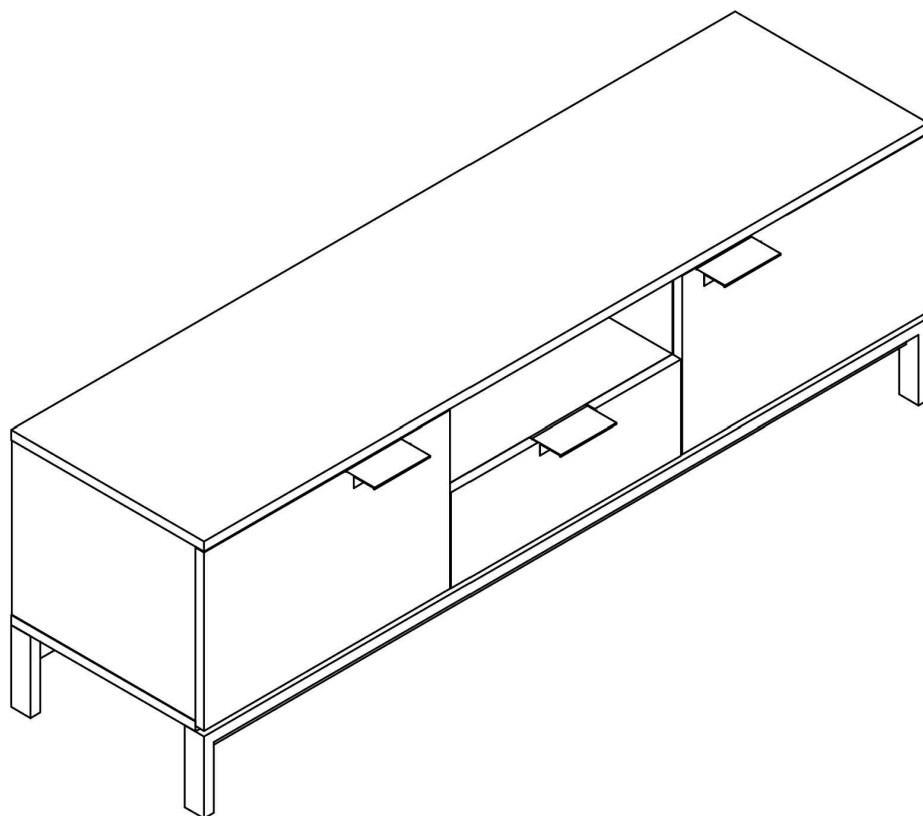


BANAK

COIMBRA

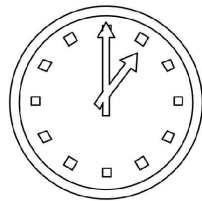
CR-0104



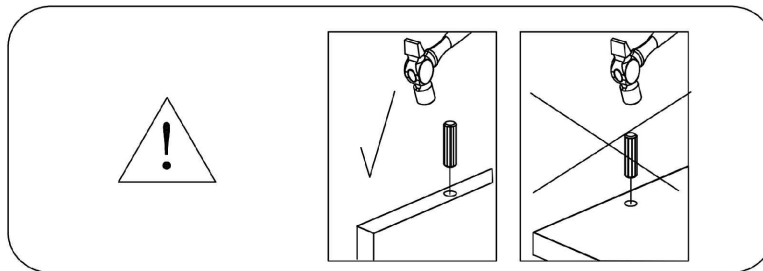
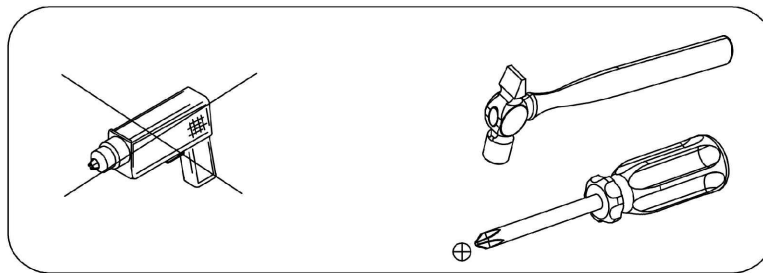
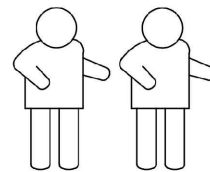
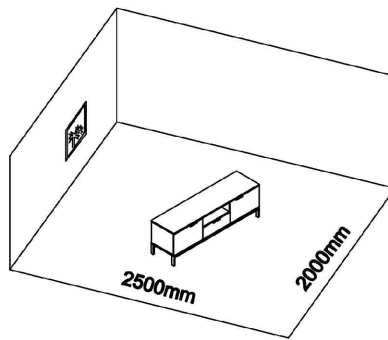
BANAK

COIMBRA

CR-0104



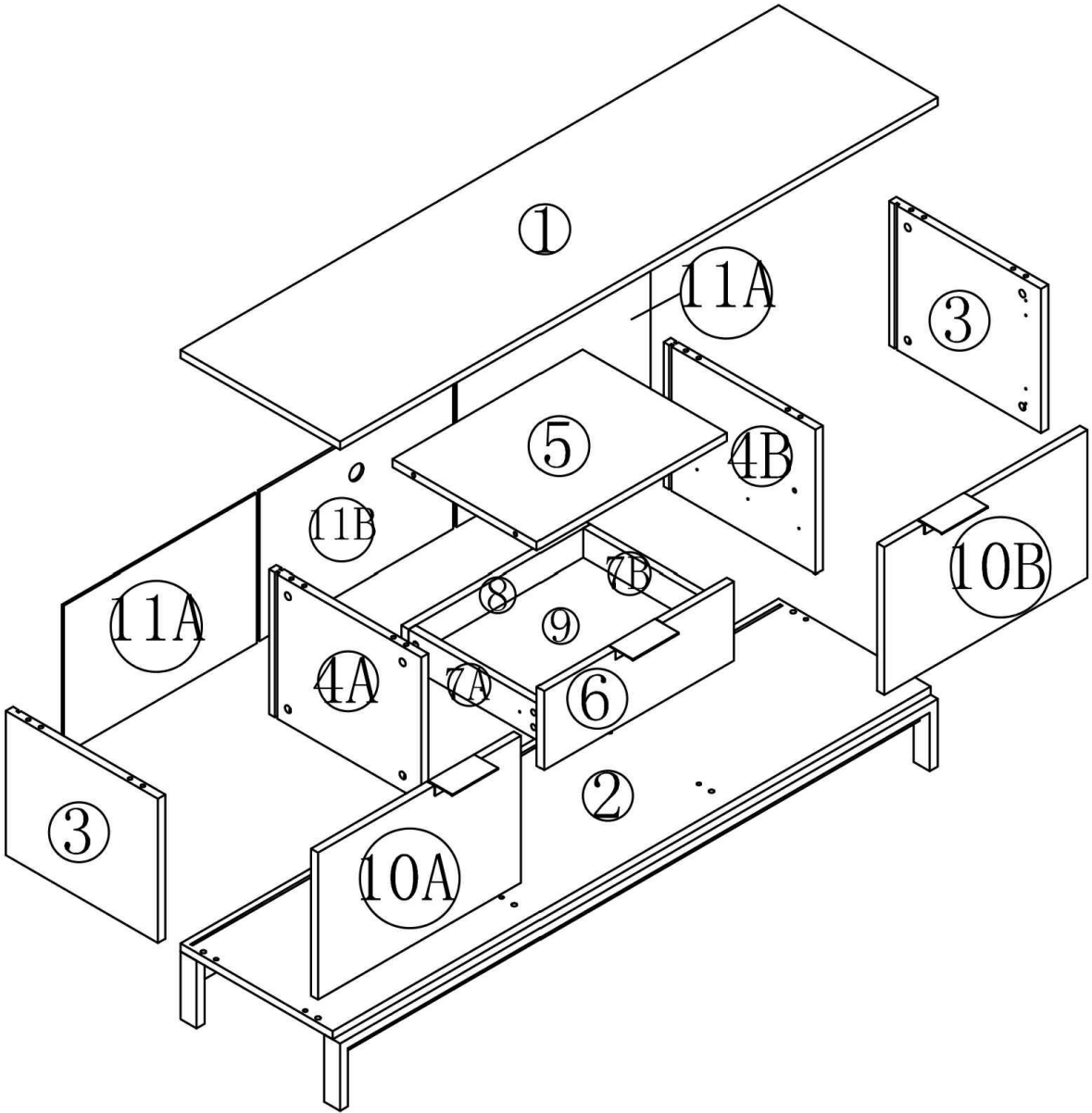
60 min



BANAK

COIMBRA

CR-0104



BANAK

COIMBRA







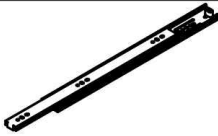



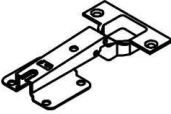


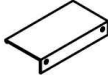

CR-0104

1	1	1500x400x18MM
2	1	1500x382x18MM
3	2	382x314x18MM
4A	1	382x314x18MM
4B	1	382x314x18MM
5	1	476x362x18MM
6	1	476x172x18MM
7A	1	332x80x18MM
7B	1	332x80x18MM
8	1	455x80x18MM
9	1	429x342x5MM
10A	1	510x320x18MM
10B	1	510x320x18MM
11A	2	485x324x5MM
11B	1	486x324x5MM

BANAK

COIMBRA

CR-0104

 φ 15x12 Ax16	 M6x35 Bx16	 φ 8x40 Cx20	 φ16xM6x1.5 Dx12
 M6x20 Ex12	 M6 Fx12	 350MM Gx2	 M6x24 Hx8
 φ12x12 Ix8	 M3.5x15 Jx54	 Kx4	 Lx12
 M5 Mx1	 Nx3	 Ox2	

BANAK

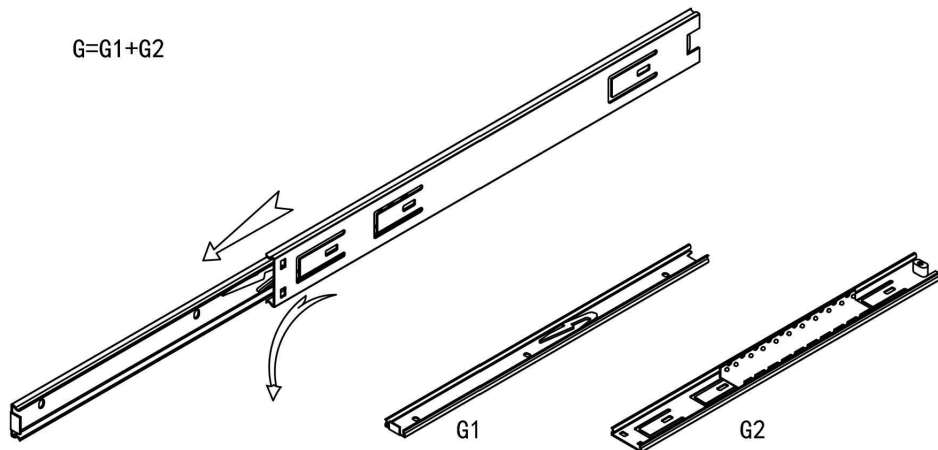
COIMBRA

CR-0104

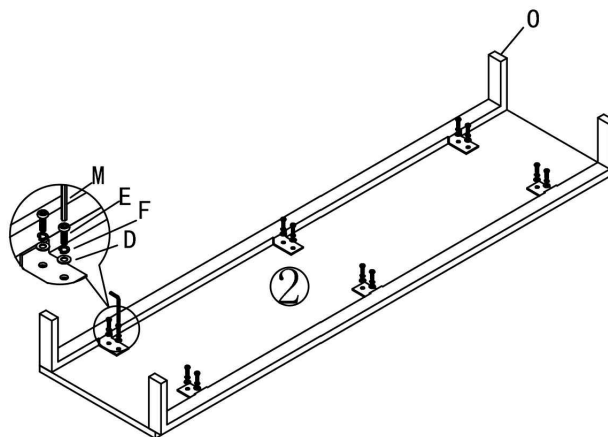
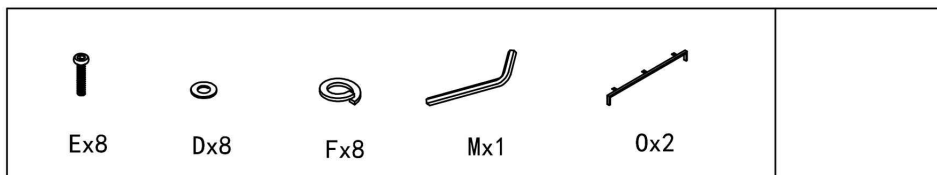
1



$G=G1+G2$



2



BANAK

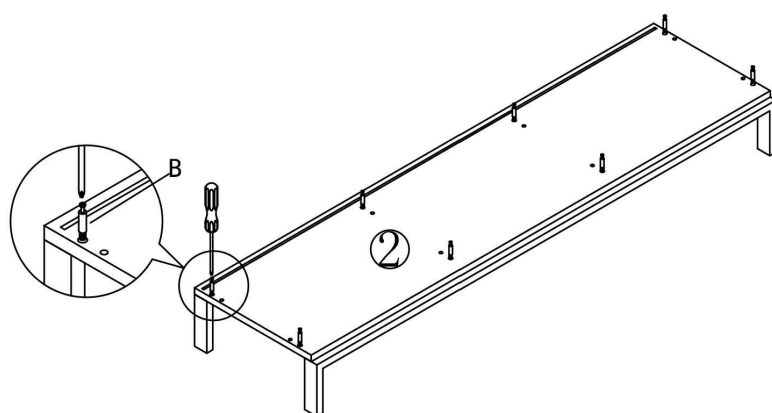
COIMBRA

CR-0104

3



Bx8



4



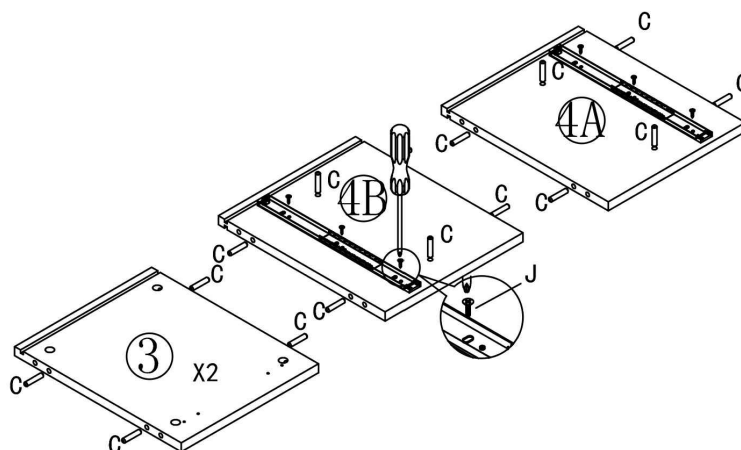
Cx20



G2x2



Jx6

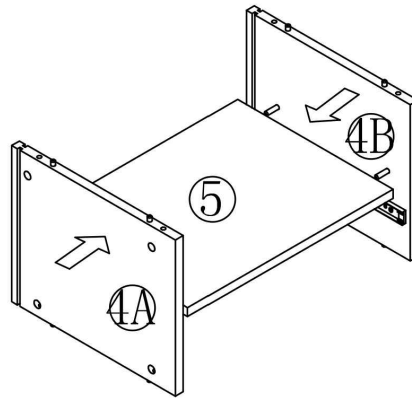


BANAK

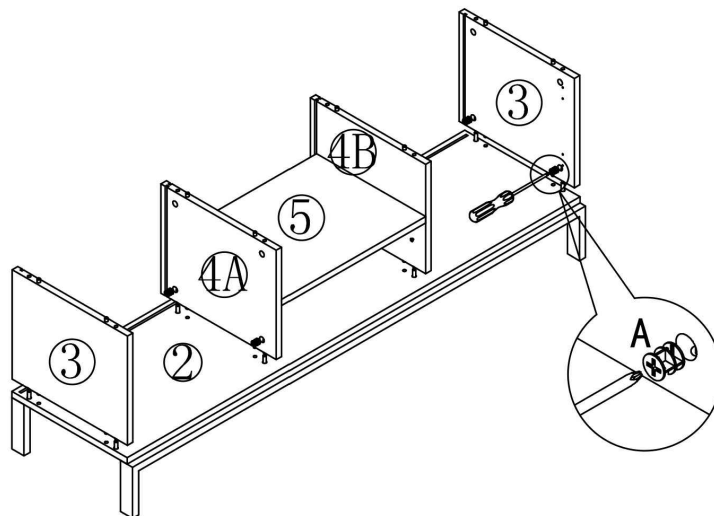
COIMBRA

CR-0104

5



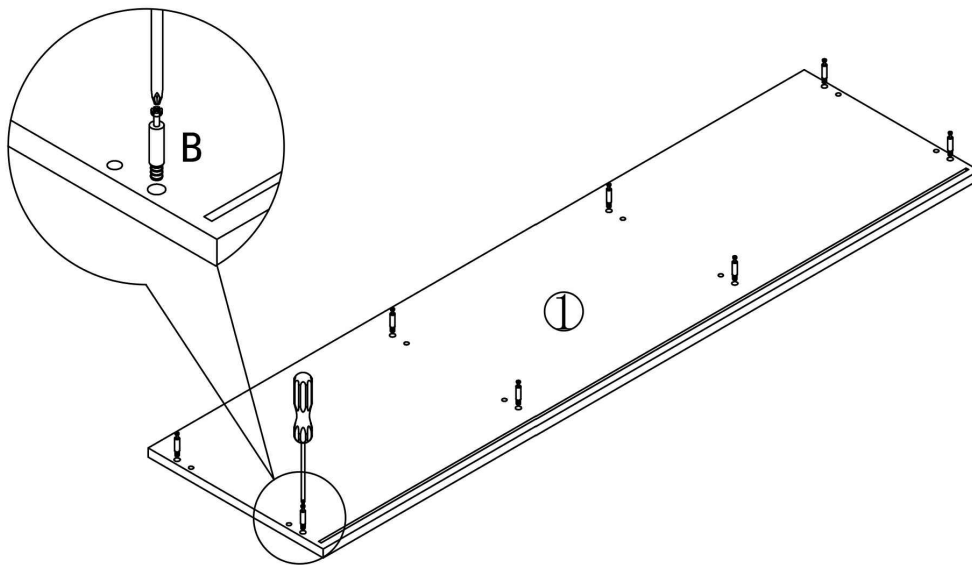
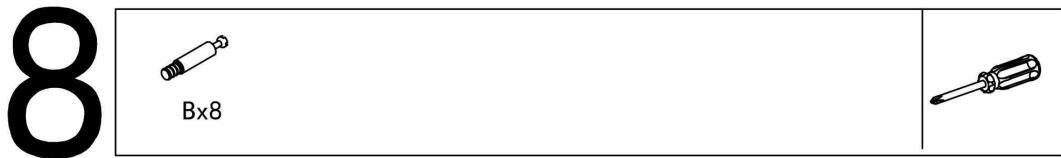
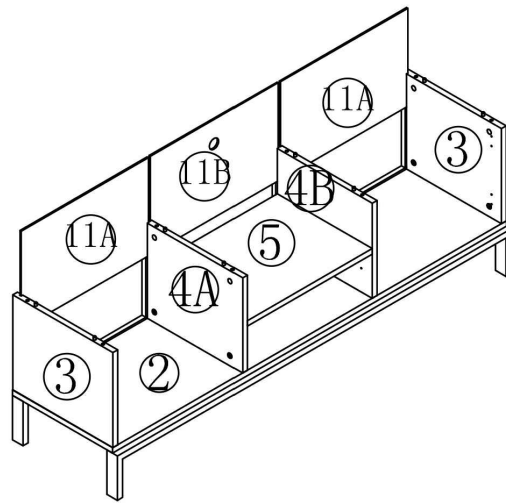
6



BANAK

COIMBRA

CR-0104



BANAK

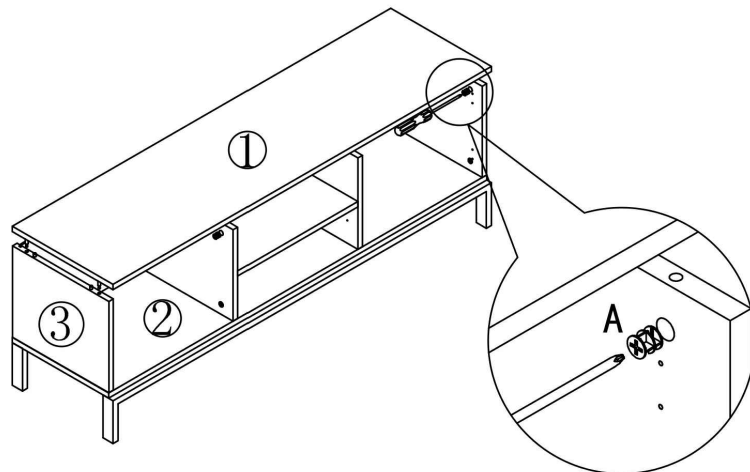
COIMBRA

CR-0104

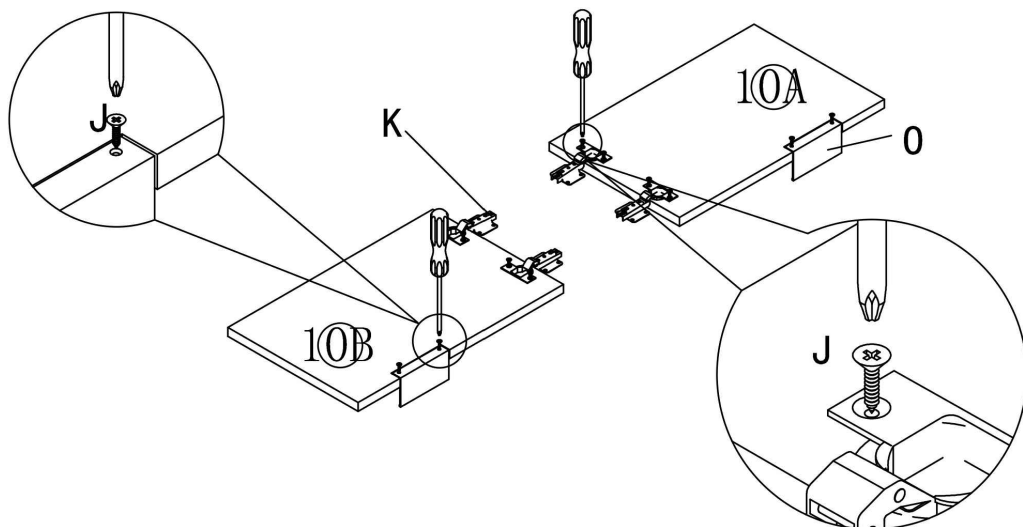
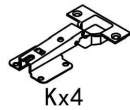
9



Ax8



10

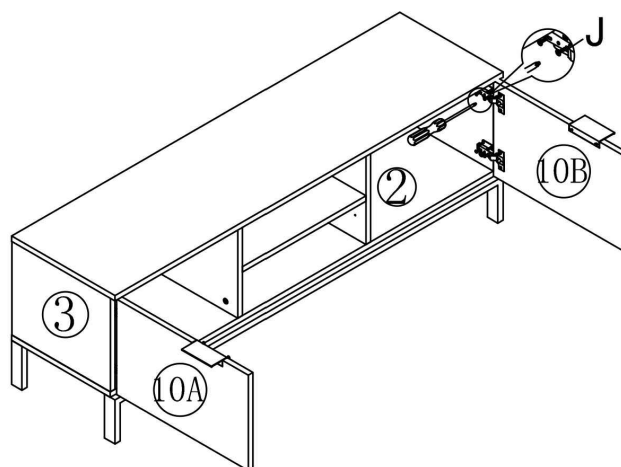


BANAK

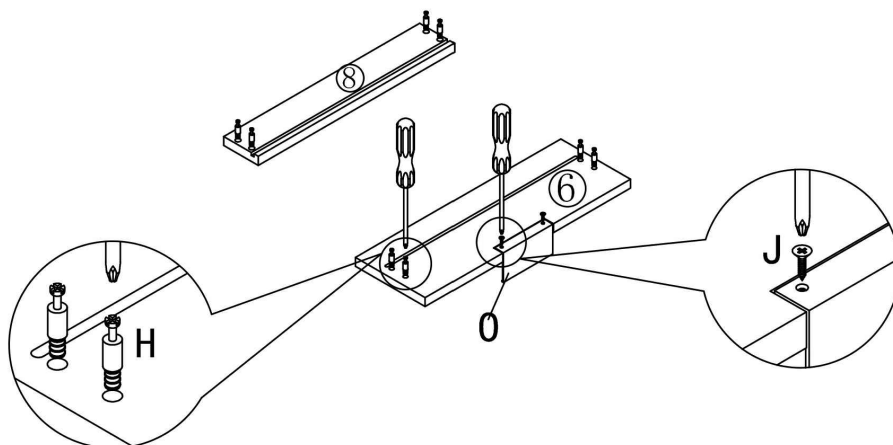
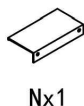
COIMBRA

CR-0104

11



12



BANAK

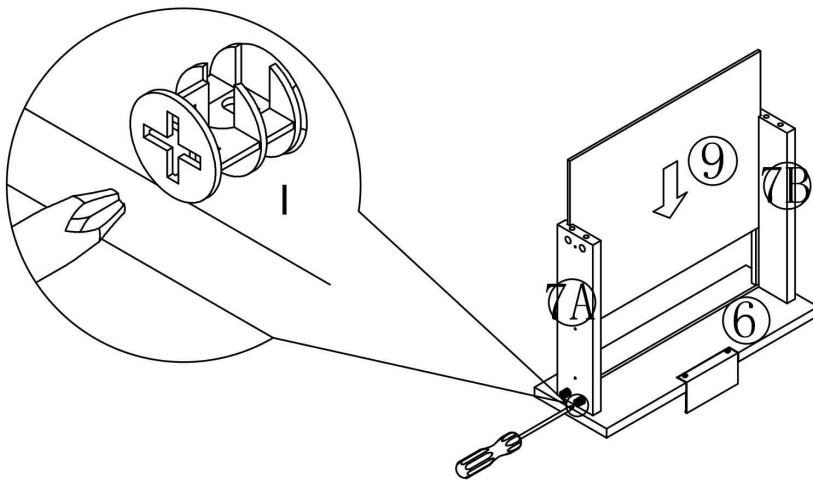
COIMBRA

CR-0104

13



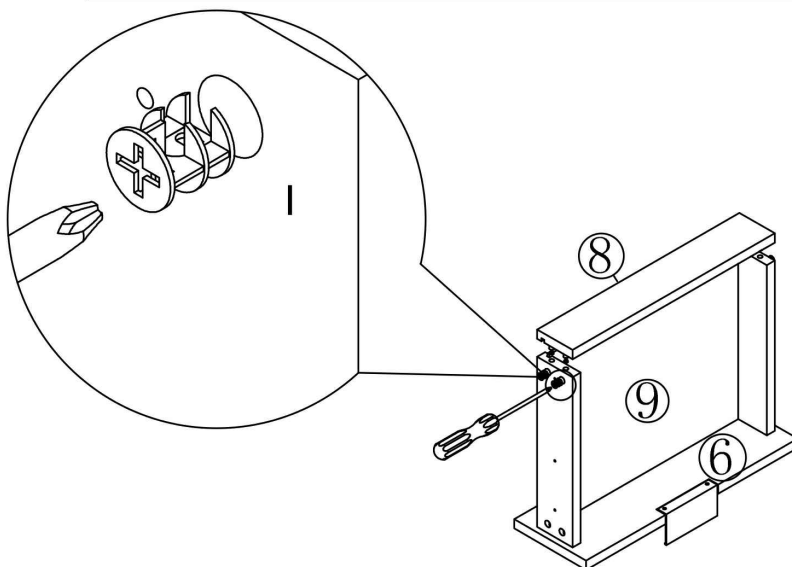
1x4



14



1x4



BANAK

COIMBRA

CR-0104

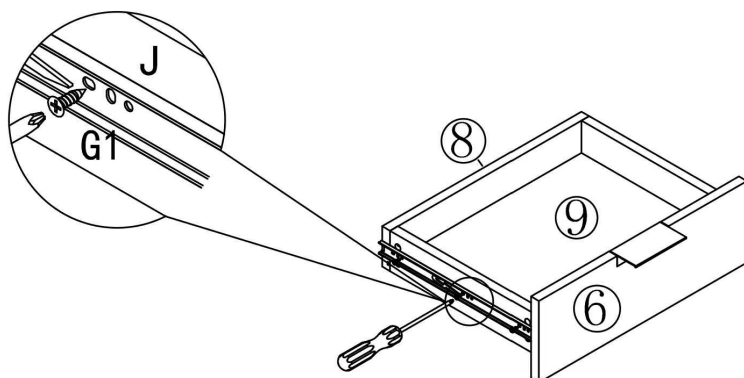
15



Jx6



G1x2



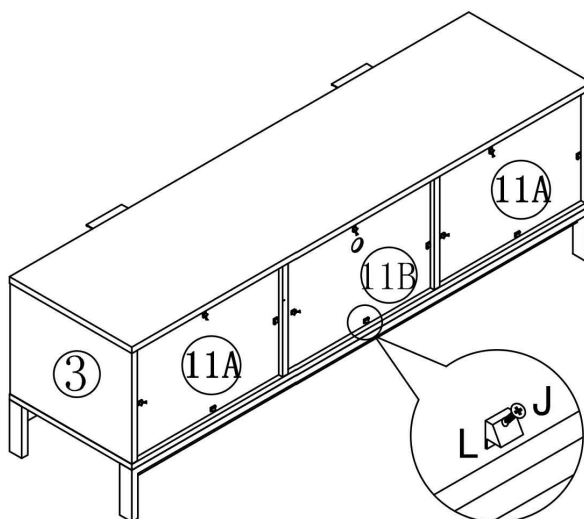
16



Jx12



Lx12



BANAK

COIMBRA

CR-0104

17

