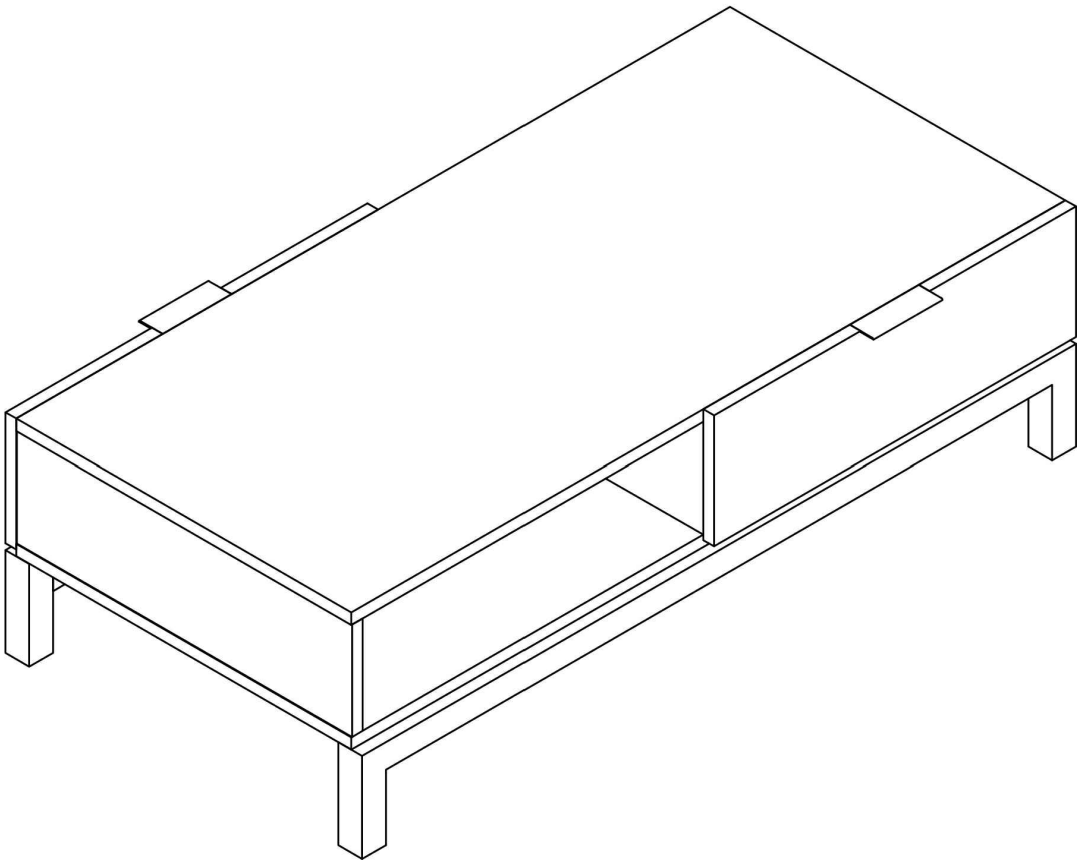


BANAK

COIMBRA

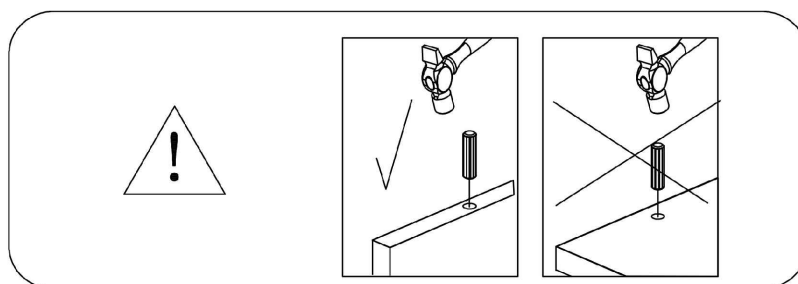
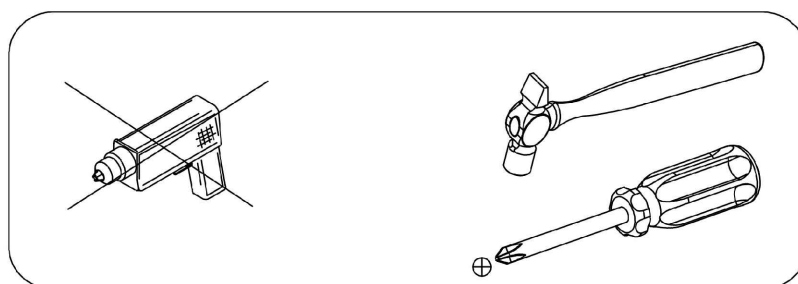
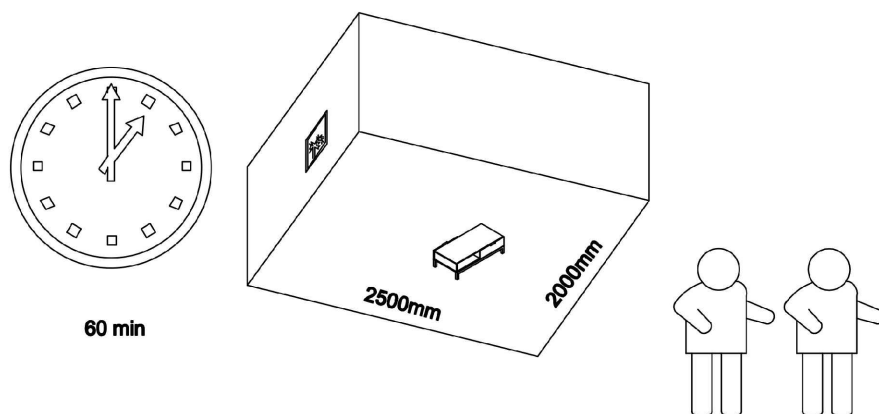
CR-0105



BANAK

COIMBRA

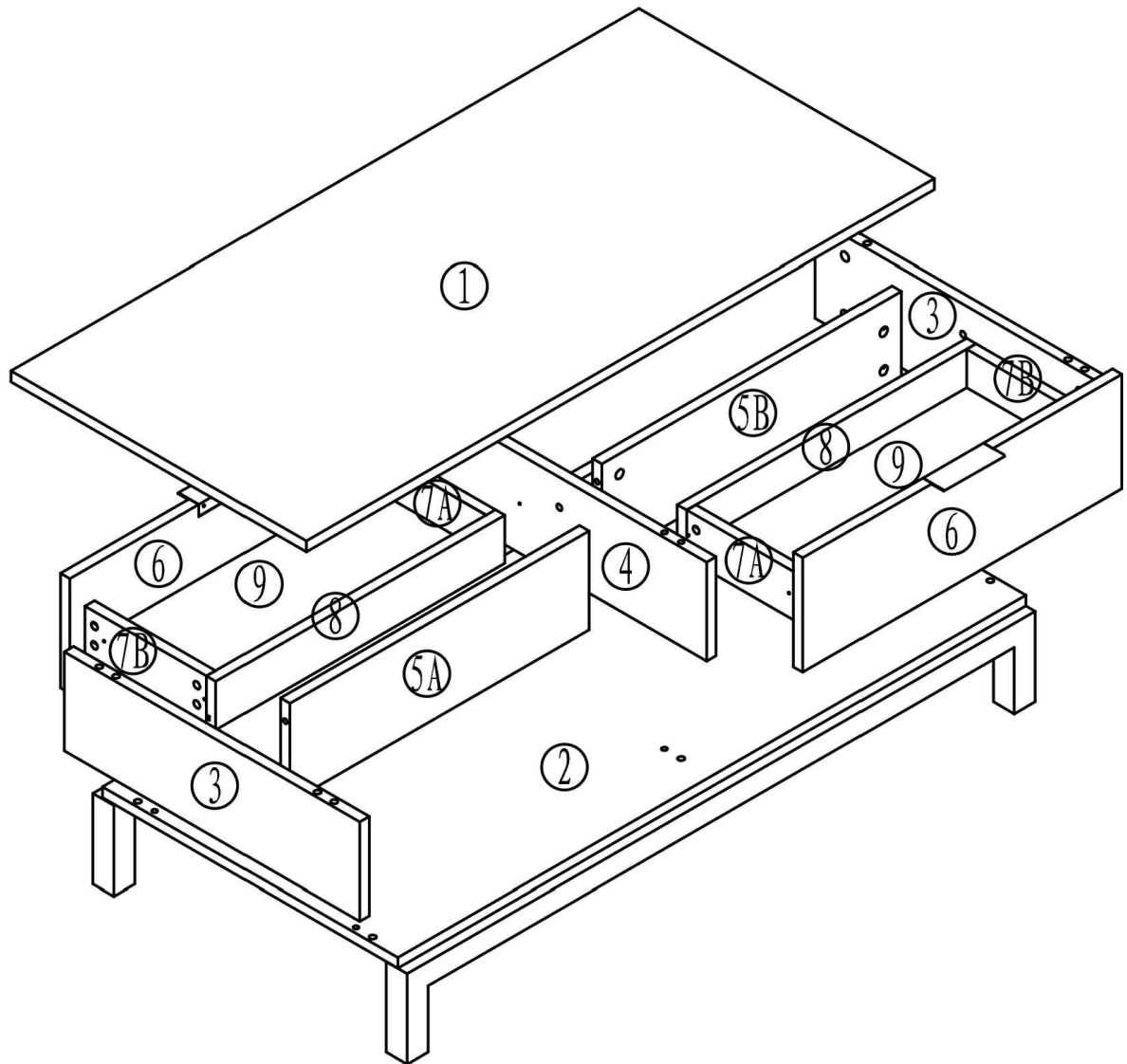
CR-0105



BANAK

COIMBRA

CR-0105



BANAK

COIMBRA










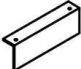


CR-0105

| | | |
|----|---|---------------|
| 1 | 1 | 1200x564x18MM |
| 2 | 1 | 1200x564x18MM |
| 3 | 2 | 564x164x18MM |
| 4 | 1 | 564x164x18MM |
| 5A | 1 | 572x164x18MM |
| 5B | 1 | 572x164x18MM |
| 6 | 2 | 609x190x18MM |
| 7A | 2 | 232x80x18MM |
| 7B | 2 | 232x80x18MM |
| 8 | 2 | 552x80x18MM |
| 9 | 2 | 526x242x5MM |

BANAK

COIMBRA

CR-0105

| | | | |
|--|--|---|---|
|  φ 15x12 AX20 |  M6x35 BX20 |  φ 8x40 CX12 |  M3. 5x15 DX20 |
|  250mm EX4 |  M6x24 FX16 |  M6x20 GX8 |  φ 16x 1.5 xM6 HX8 |
|  φ 12x12 IX16 |  JX2 |  KX8 |  M5 LX1 |

BANAK

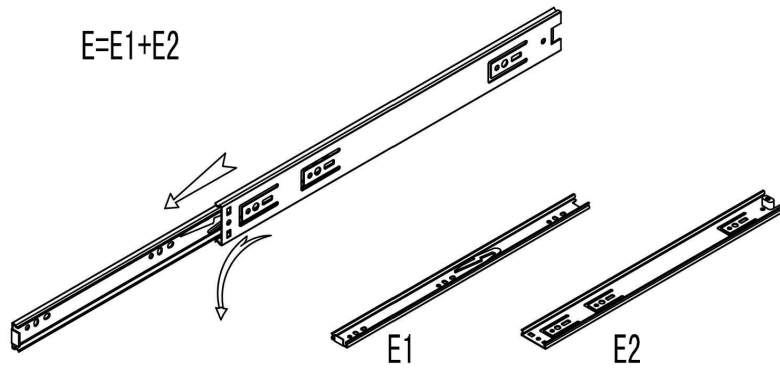
COIMBRA

CR-0105

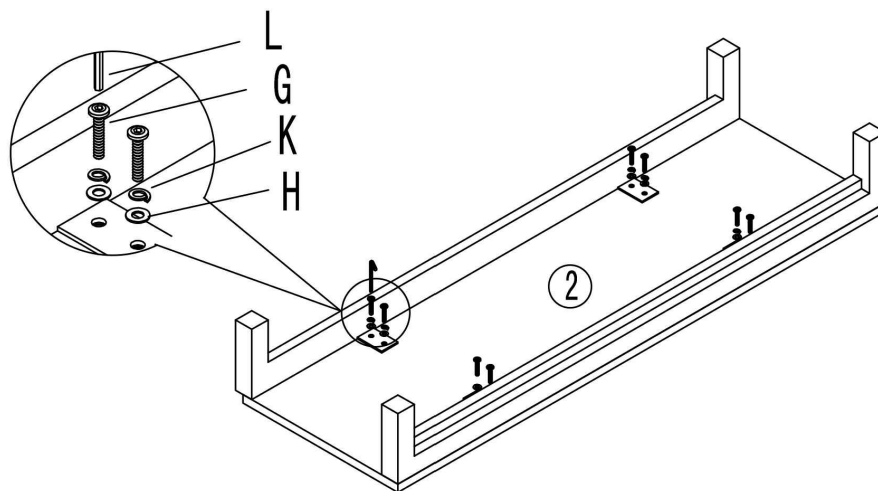
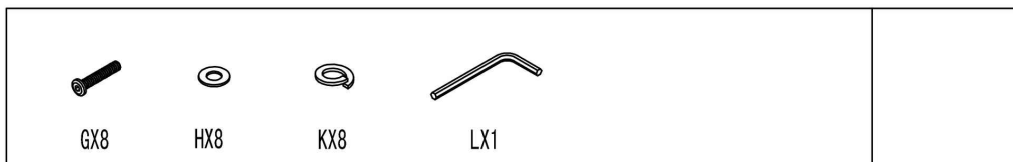
1



$E = E1 + E2$



2

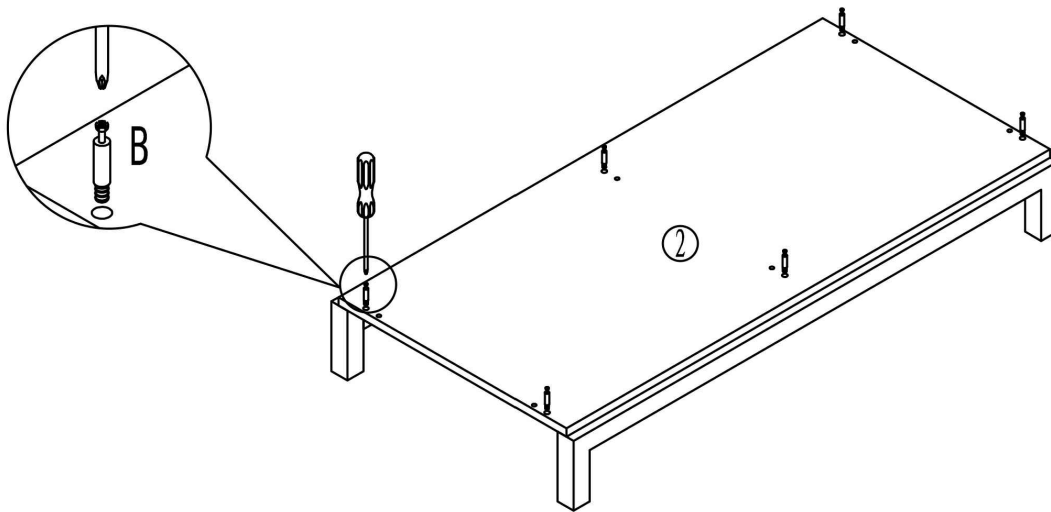


BANAK

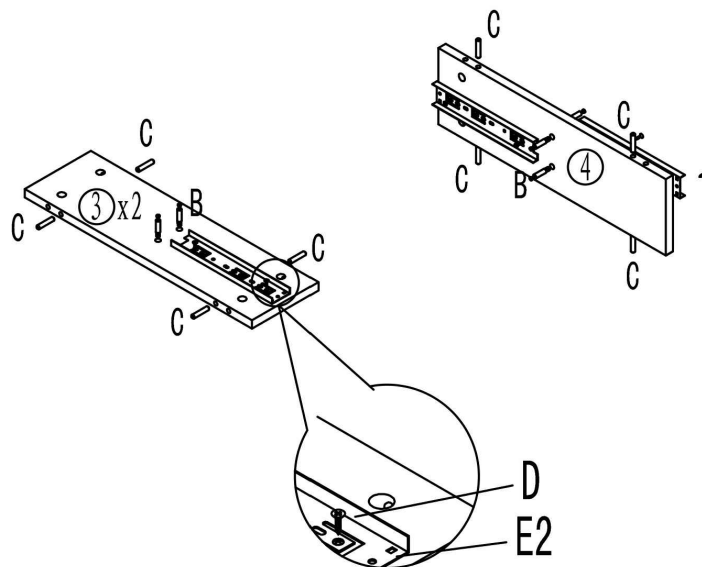
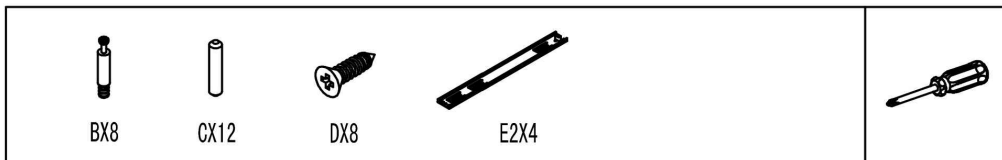
COIMBRA

CR-0105

3



4



BANAK

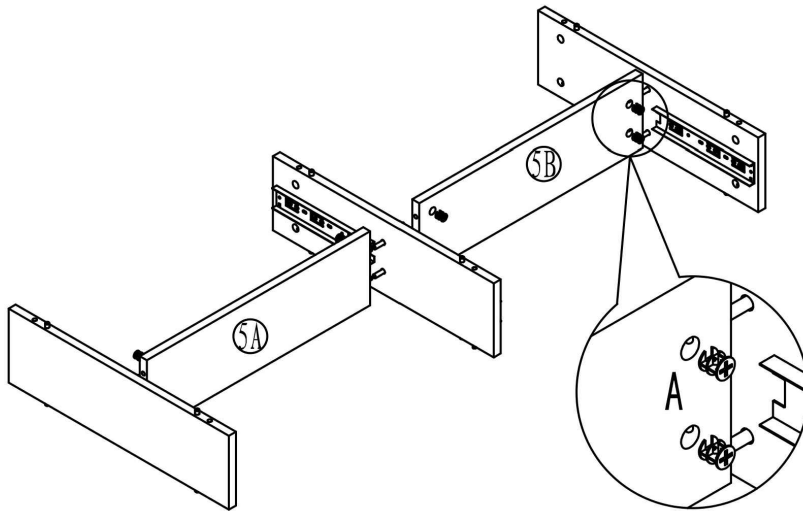
COIMBRA

CR-0105

5



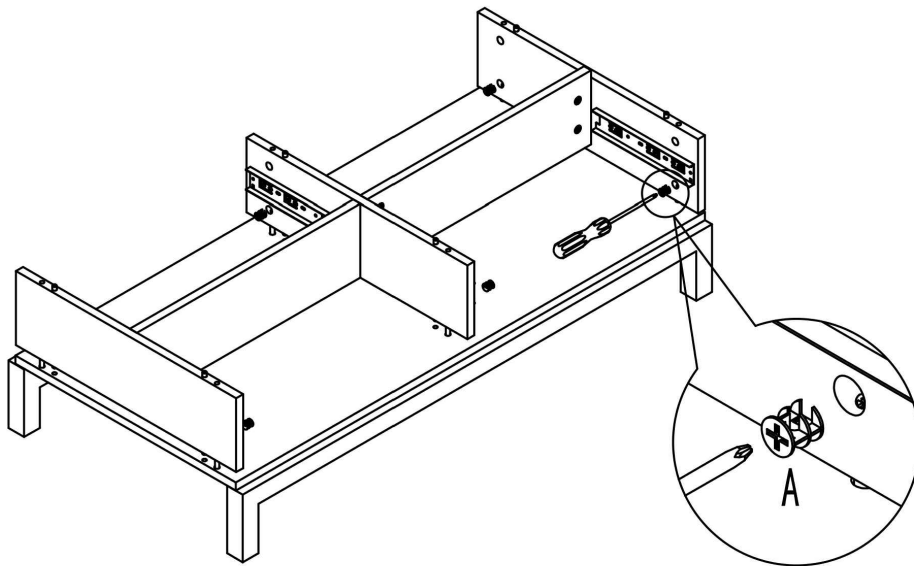
AX8



6



AX6

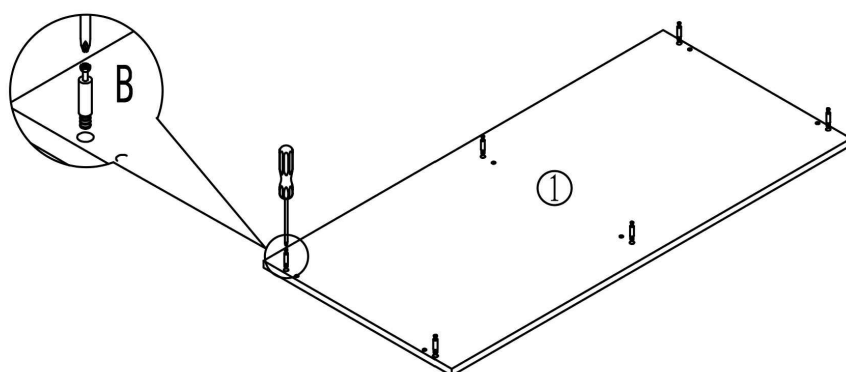
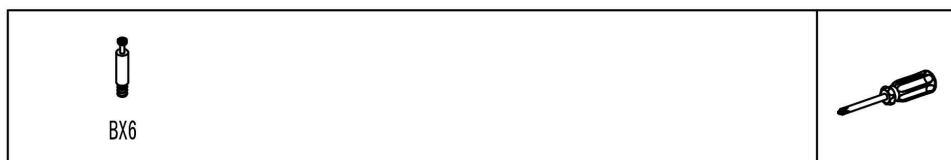


BANAK

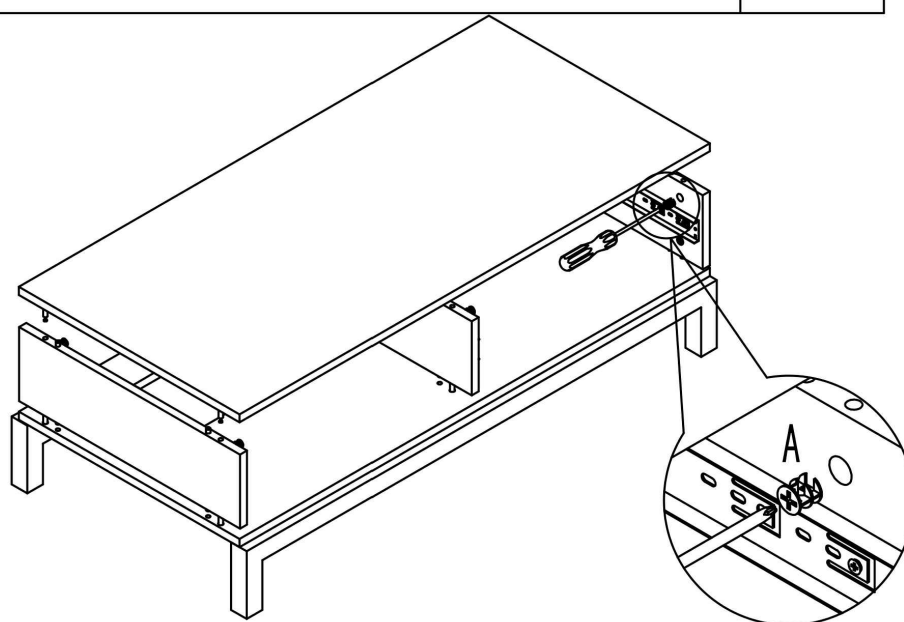
COIMBRA

CR-0105

7



8

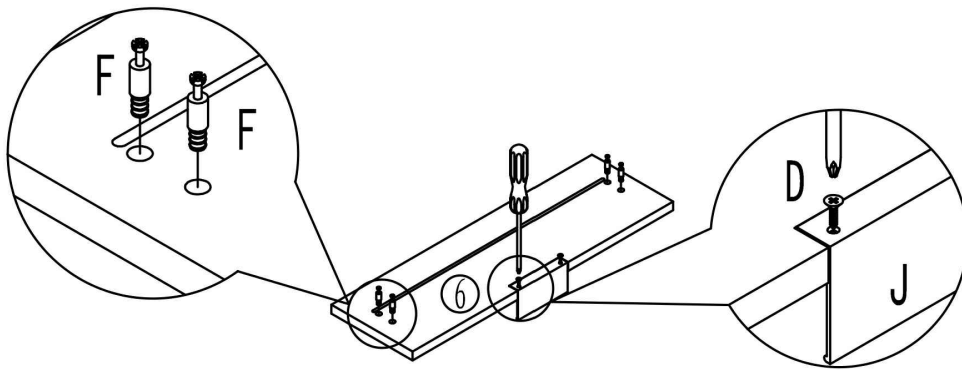
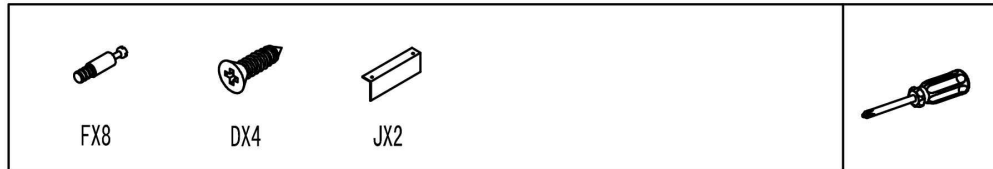


BANAK

COIMBRA

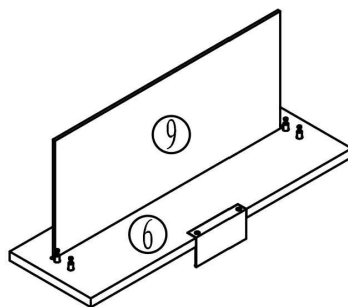
CR-0105

9



X2

10



X2

BANAK

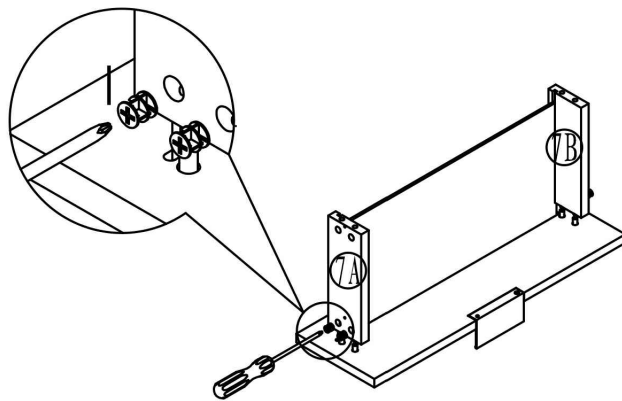
COIMBRA

CR-0105

11



IX8

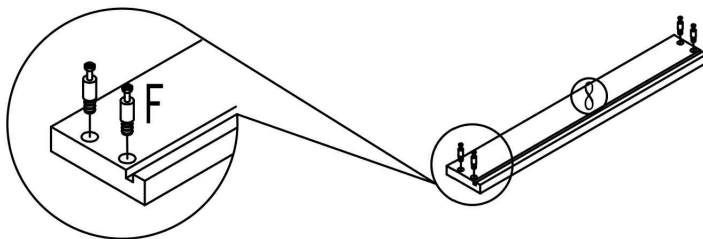


X2

12



FX8



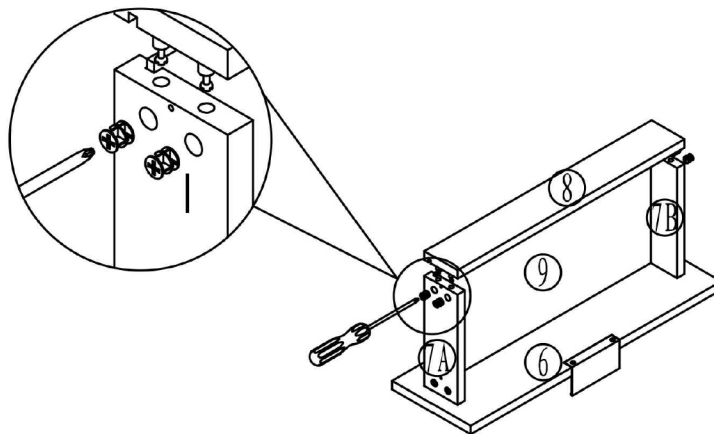
X2

BANAK

COIMBRA

CR-0105

13



X2

14

