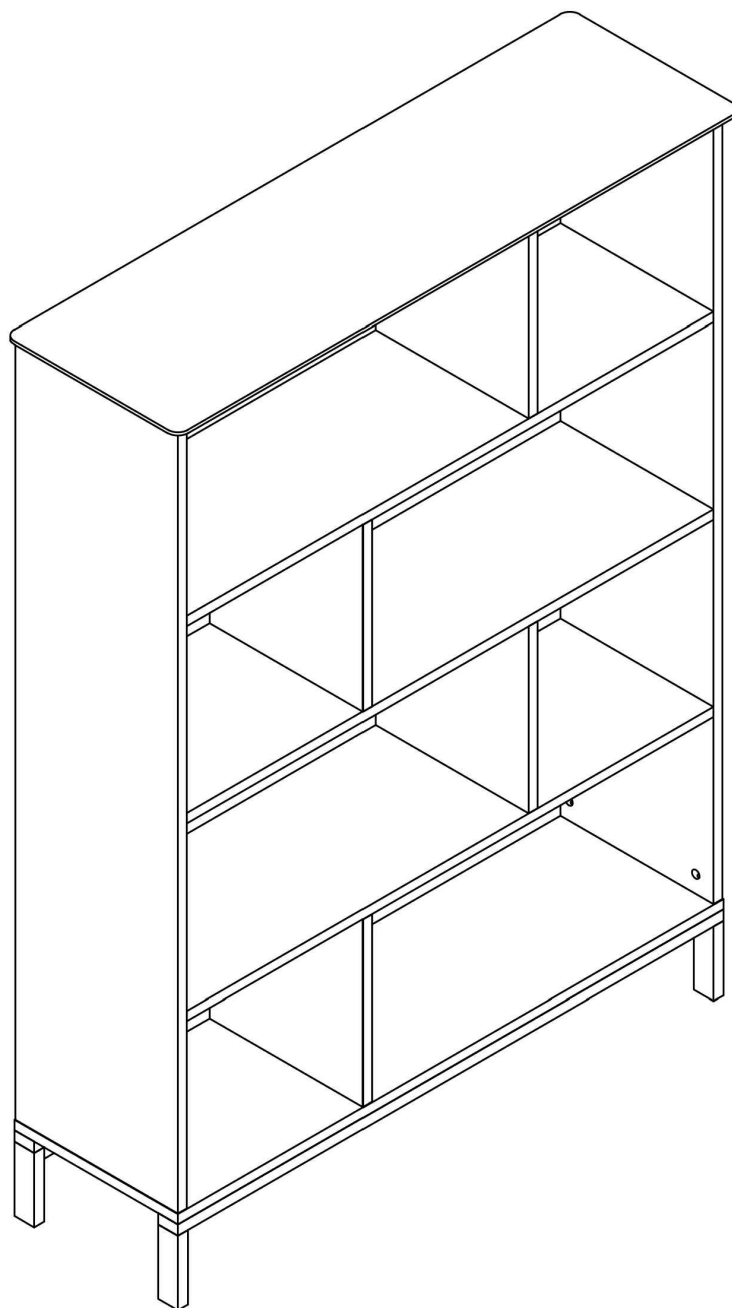


BANAK

COIMBRA

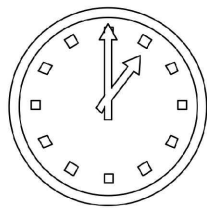
CR-0106



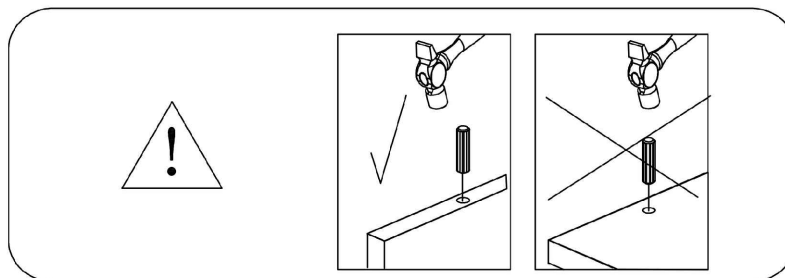
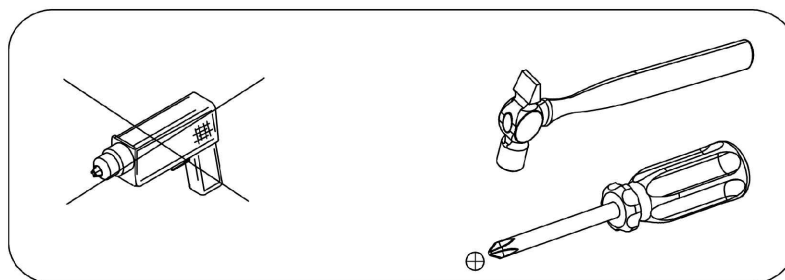
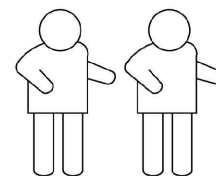
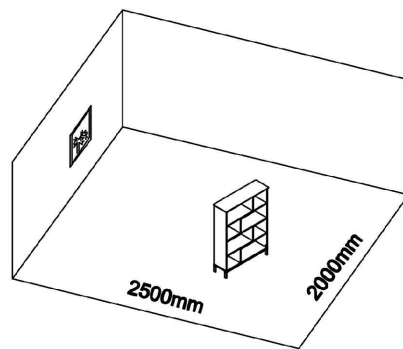
BANAK

COIMBRA

CR-0106



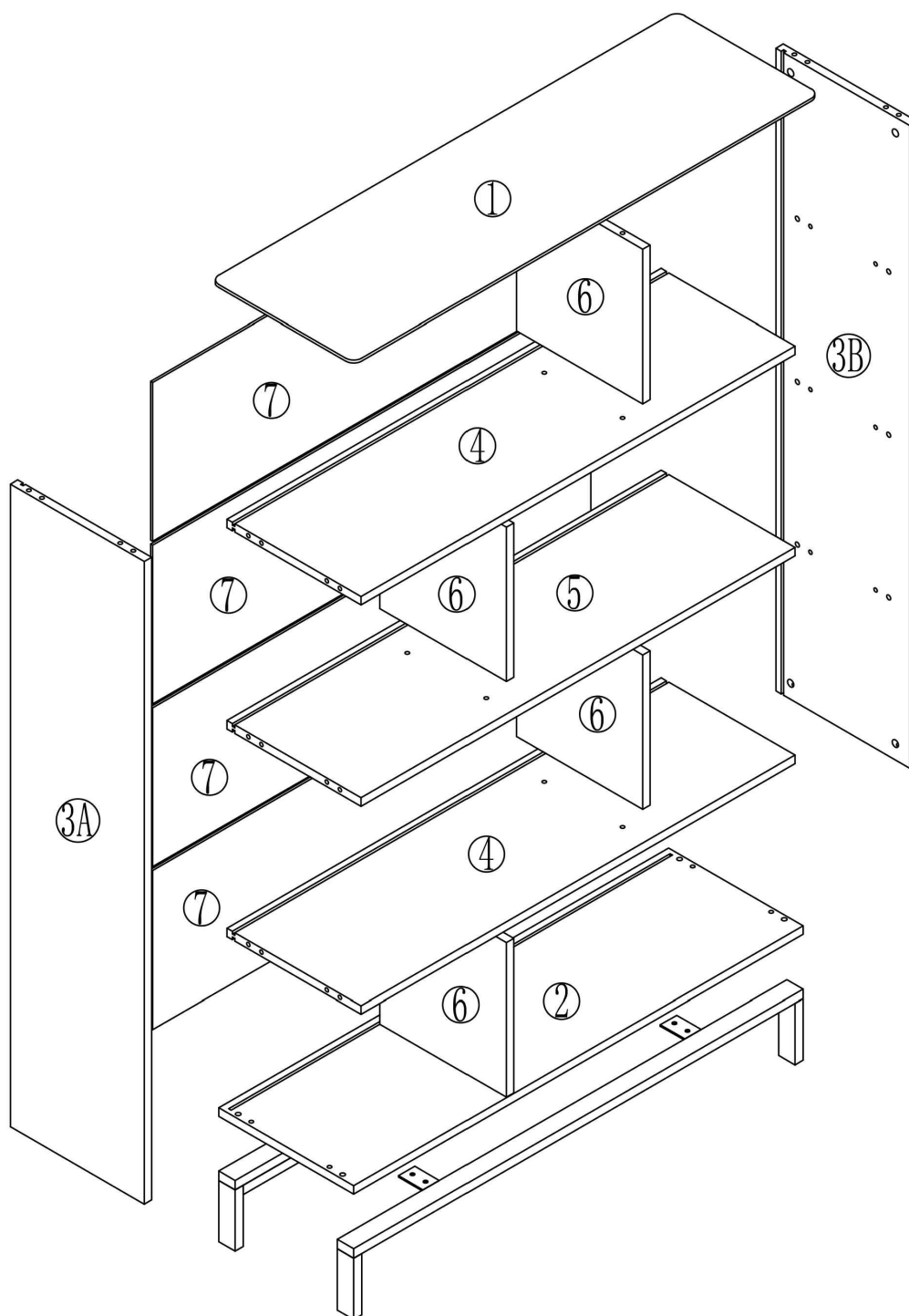
60 min



BANAK

COIMBRA









CR-0106



BANAK

COIMBRA
















CR-0106

1	1	1140x350x18 
2	1	1100x330x18 
3A	1	1362x328x18 
3B	1	1362x328x18 
4	2	1062x328x18 
5	1	1062x328x18 
6	4	327x309x18 
7	4	1072x337x5 

BANAK

COIMBRA

CR-0106

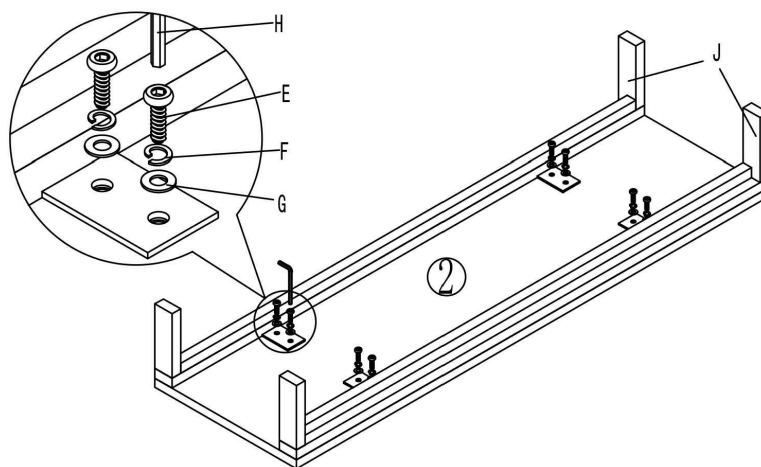
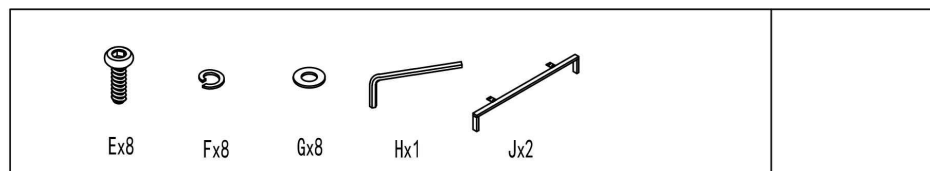
 φ 15x12 Ax20	 M6x35 Bx20	 φ 8x40 Cx36	 M3. 5x15 Dx16
 M6x20 Ex8	 M6 Fx8	 φ16xM6x1.5 Gx8	 Hx1
 Ix16	 Jx2	 Kx4	 Lx2
 M4x37 Mx4	 M4x17 Nx4	 Ox2	

BANAK

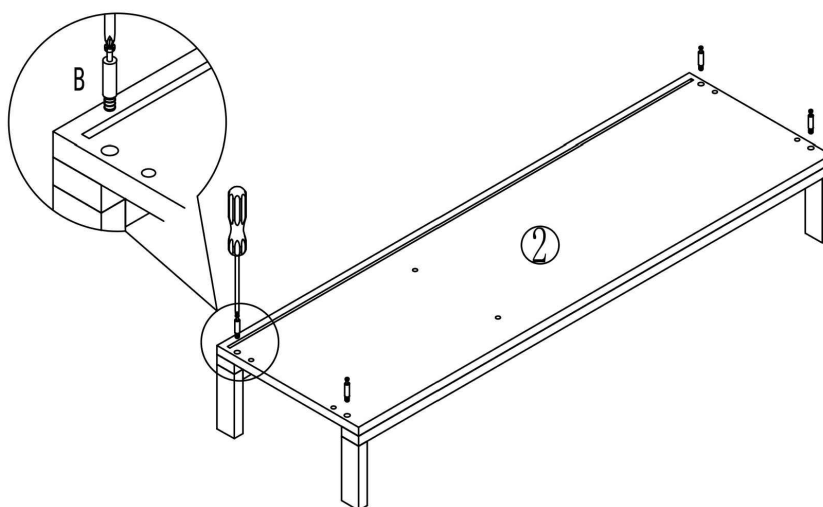
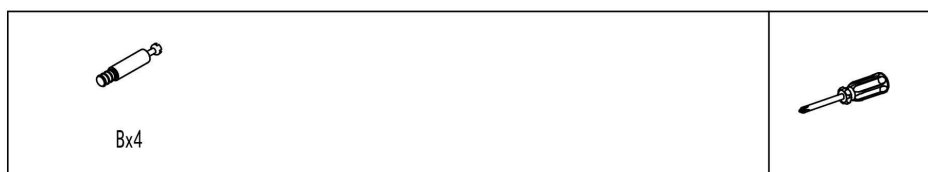
COIMBRA

CR-0106

1



2

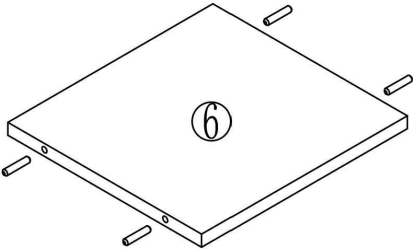


BANAK

COIMBRA

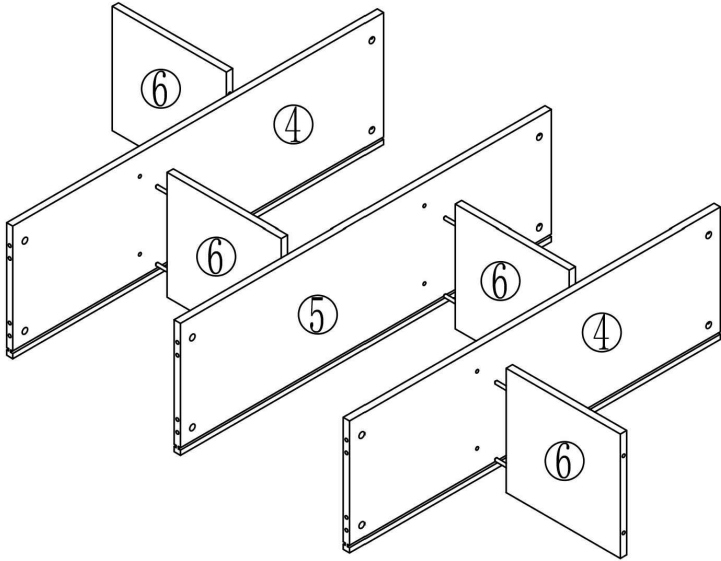
CR-0106

3



x4

4

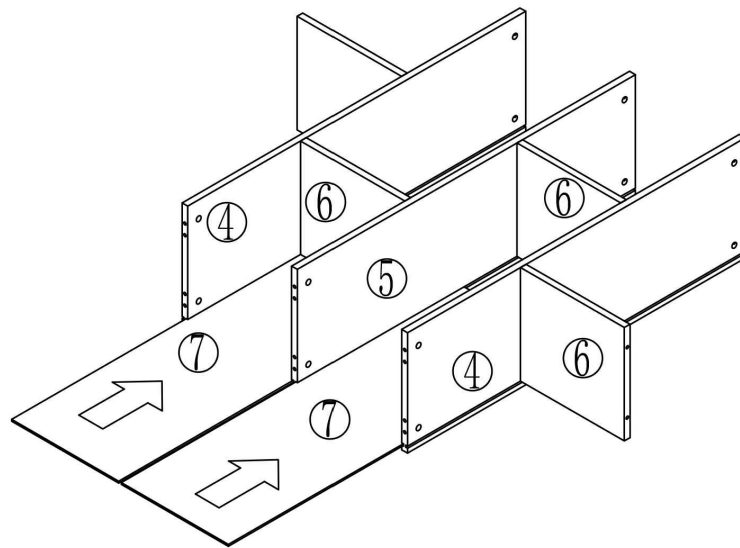


BANAK

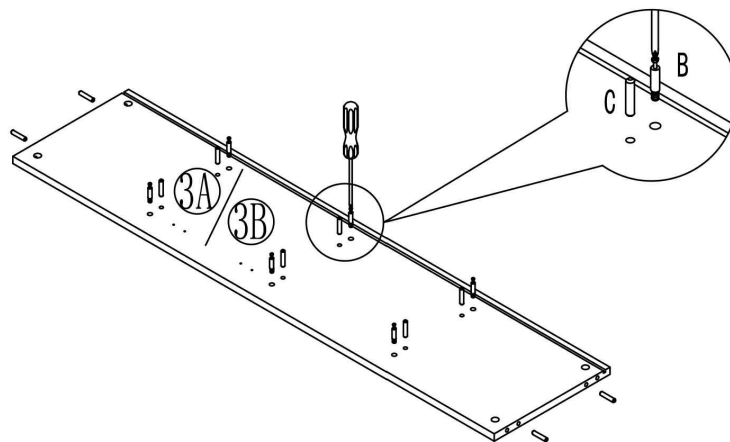
COIMBRA

CR-0106

5



6

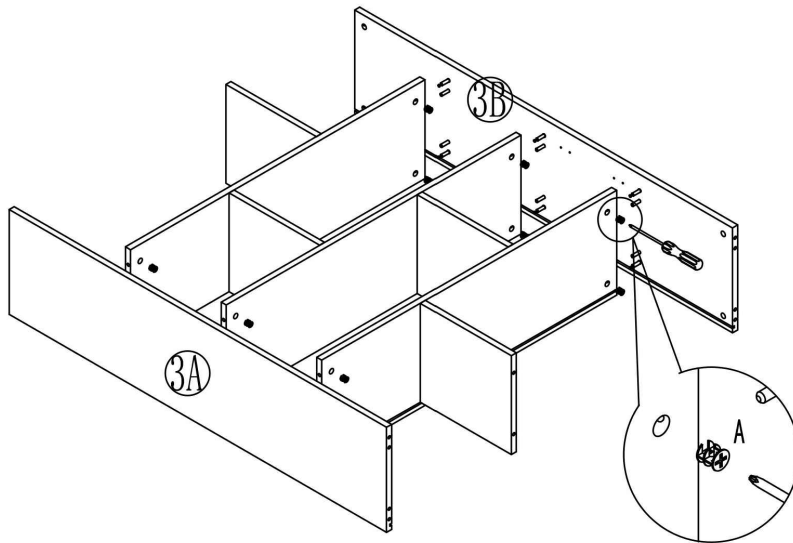


BANAK

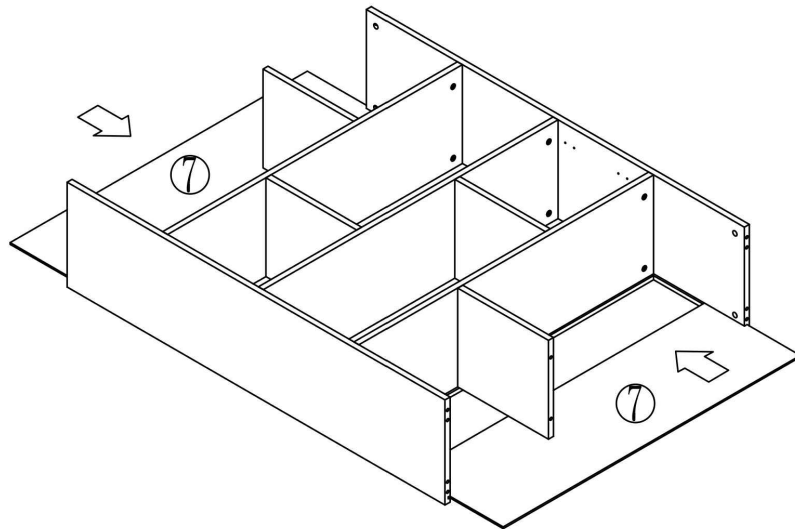
COIMBRA

CR-0106

7



8

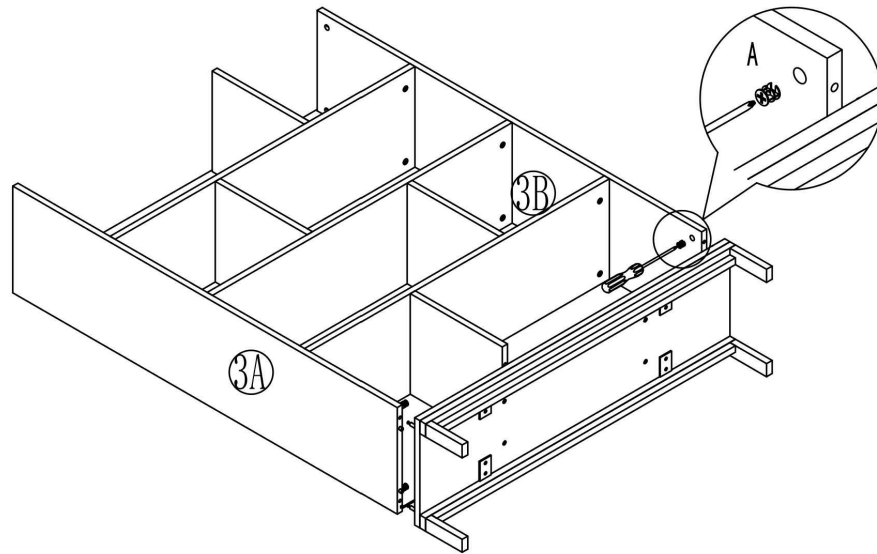


BANAK

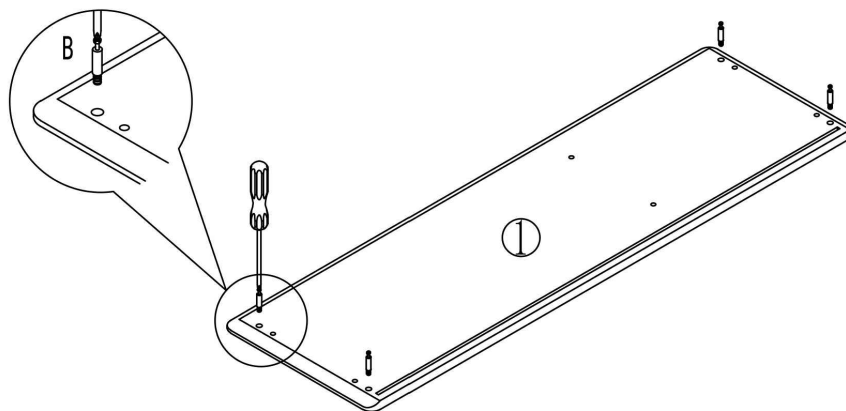
COIMBRA

CR-0106

9



10



BANAK

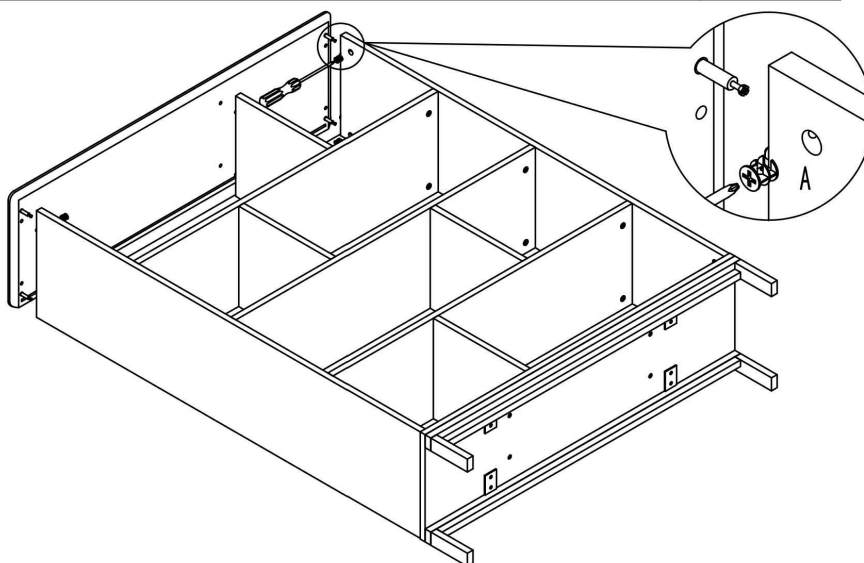
COIMBRA

CR-0106

11



Ax4



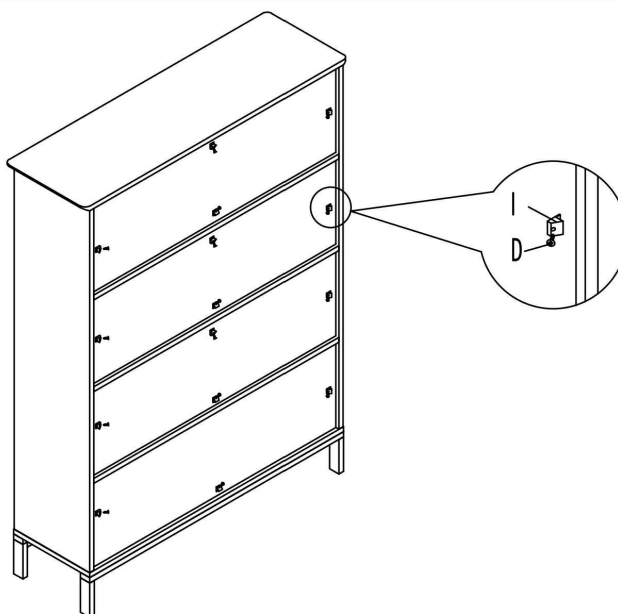
12



Dx16



Ix16



BANAK

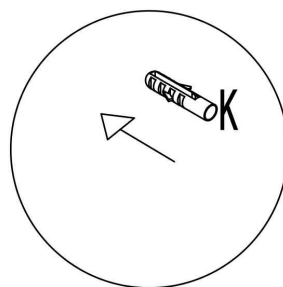
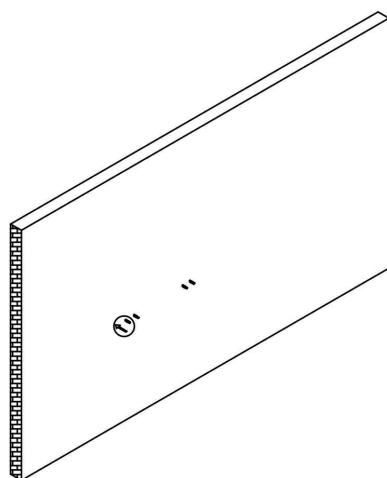
COIMBRA

CR-0106

13



Kx4



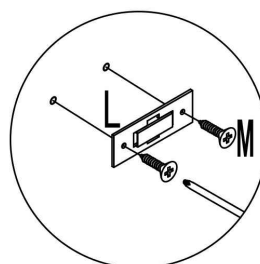
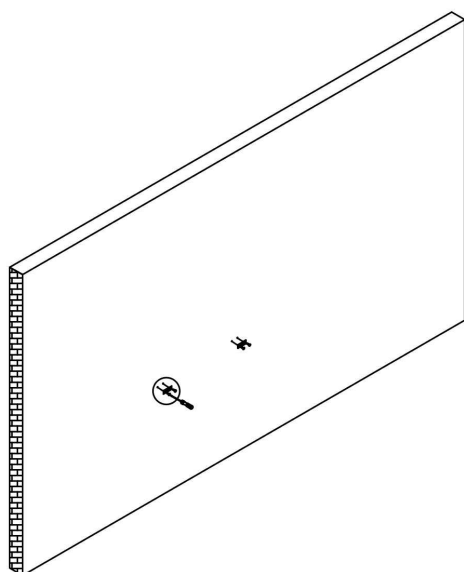
14



Lx2



Mx4

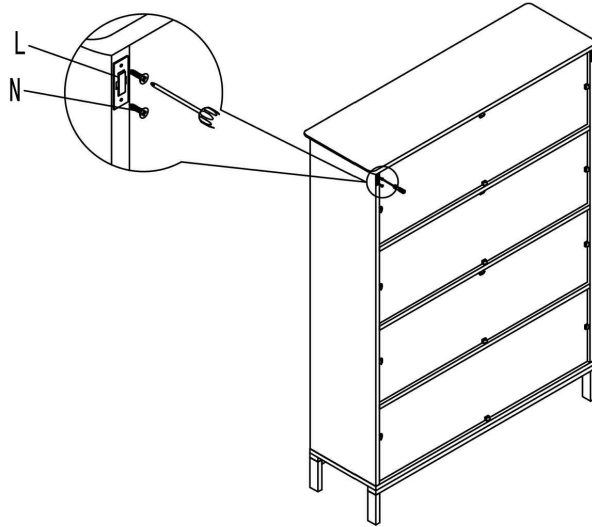


BANAK

COIMBRA

CR-0106

15



16

