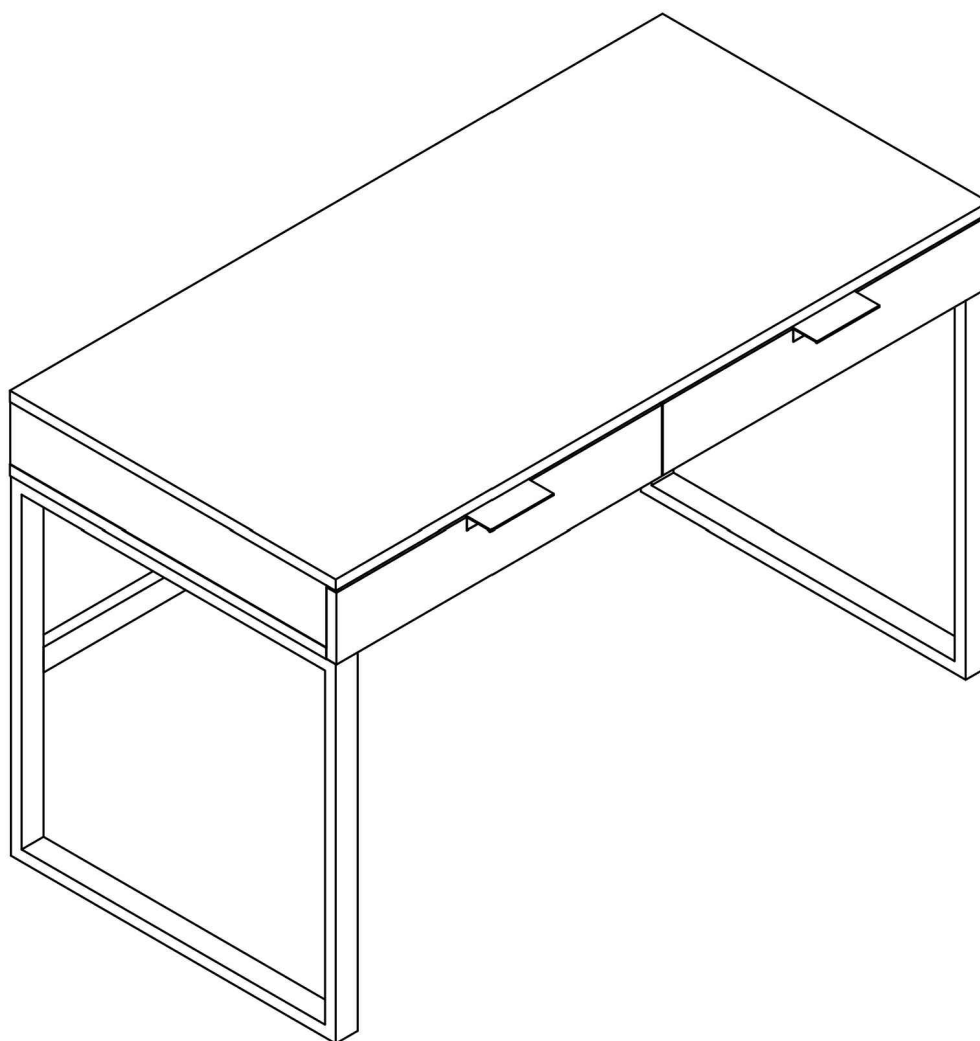


BANAK

COIMBRA

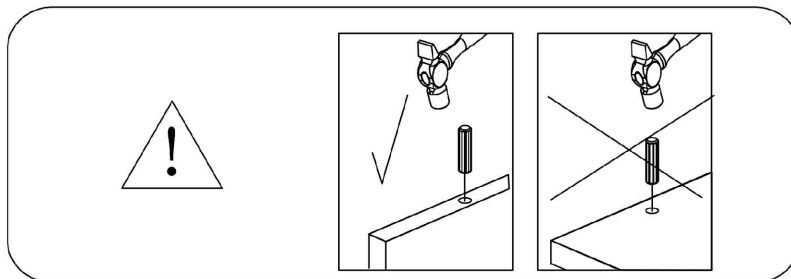
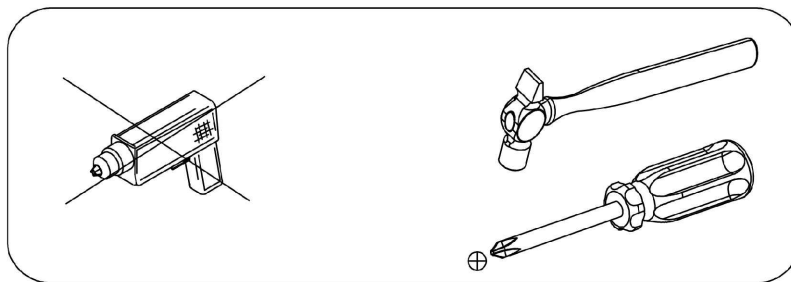
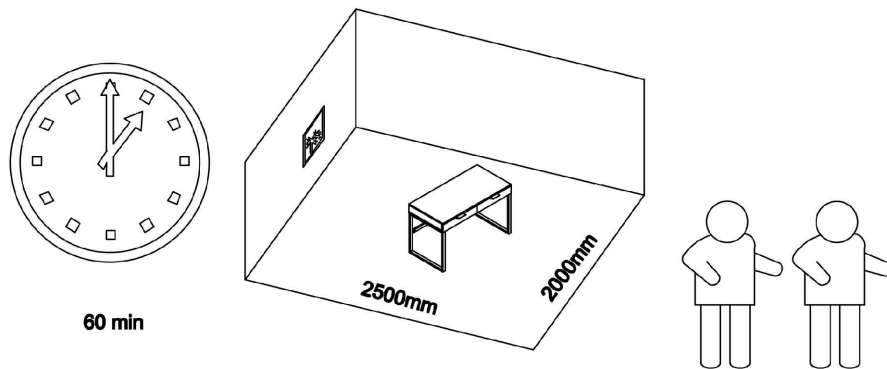
CR-0107



BANAK

COIMBRA

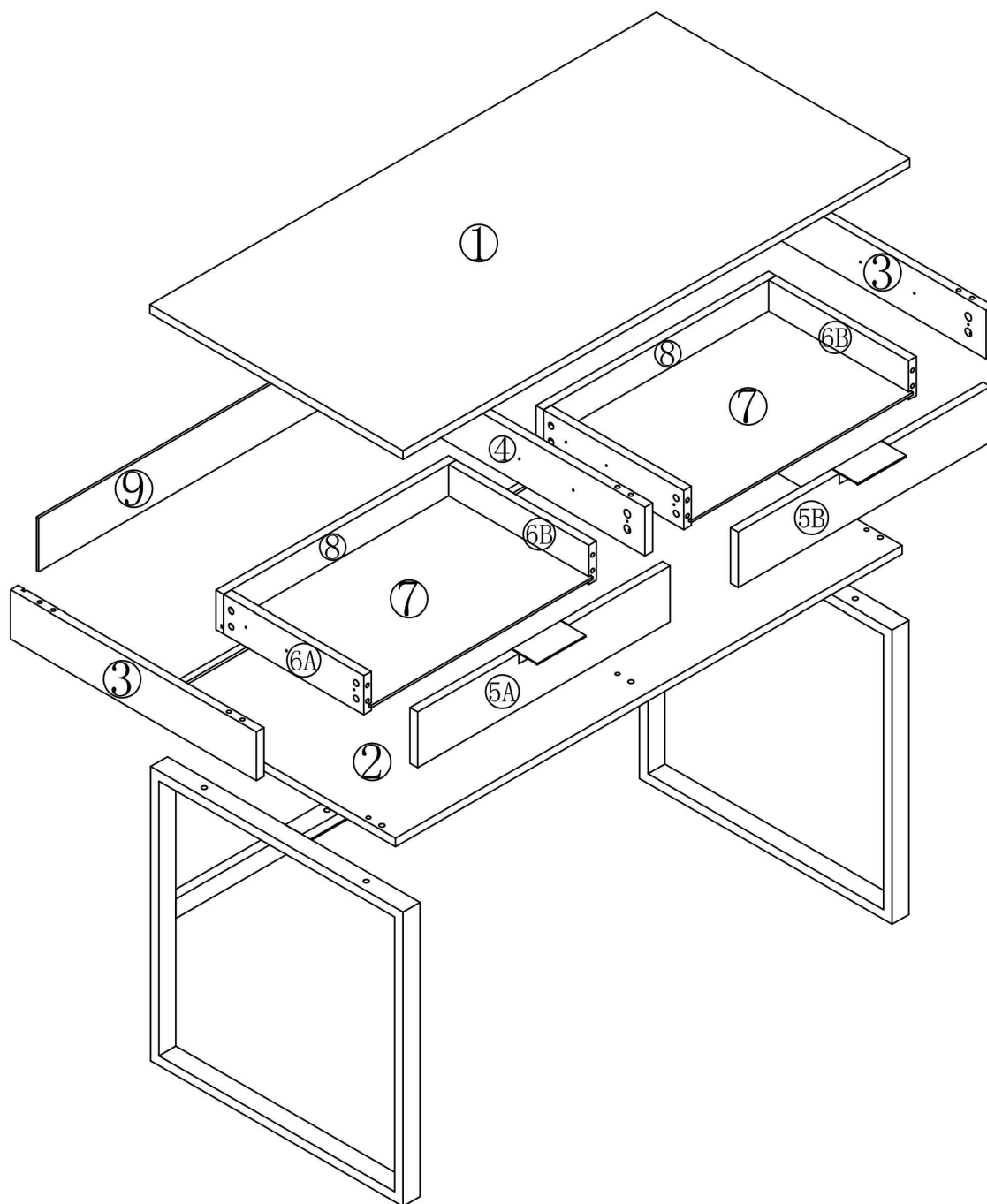
CR-0107



BANAK

COIMBRA

CR-0107



/

BANAK

COIMBRA



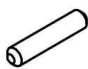



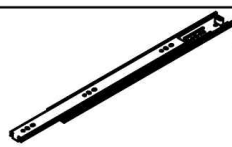












CR-0107

1	1	1200x600x18MM
2	1	1200x582x18MM
3	2	582x100x18MM
4	1	562x100x18MM
5A	1	598x114x18MM
5B	1	598x114x18MM
6A	2	332x80x18MM
6B	2	332x80x18MM
7	2	525x342x5MM
8	2	551x80x18MM
9	1	1172x110x5MM

BANAK

COIMBRA

CR-0107

 φ 15x12 Ax12	 M6x35 Bx12	 φ 8x40 Cx12	 φ18xM8x1.2 Dx8
 M8x16 Ex8	 M6 Fx7	 350MM Gx4	 M6x24 Hx16
 φ12x12 Ix16	 M3.5x15 Jx28	 Kx1	 1118x20x40 Lx1
 M5 Mx1	 Nx2	 1118x20x40 Ox1	 M6x35 PX7
 φ18xM6X1.5 QX7	 RX4	 SX1	

BANAK

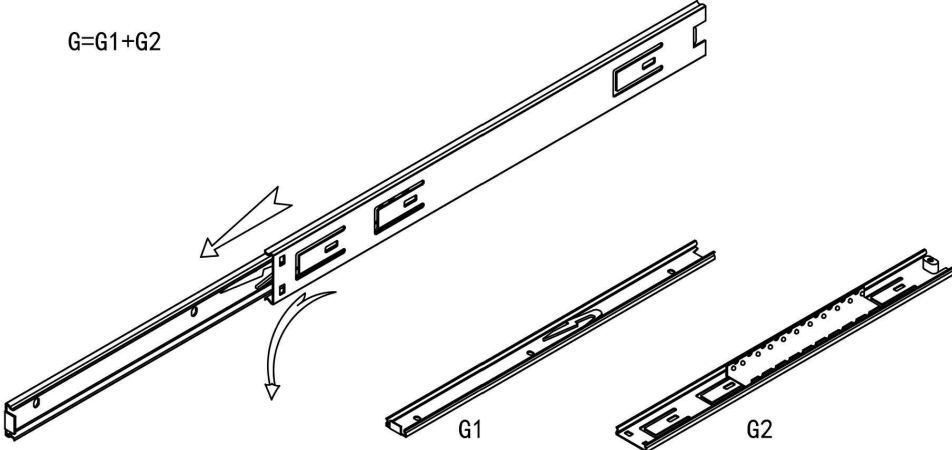
COIMBRA

CR-0107

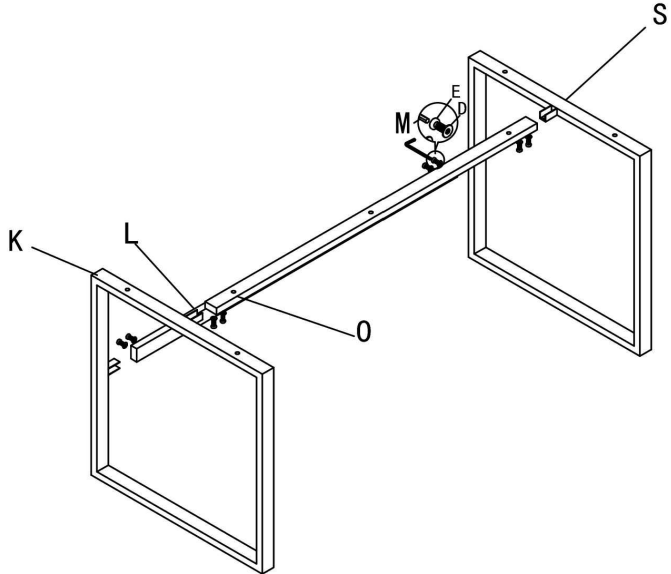
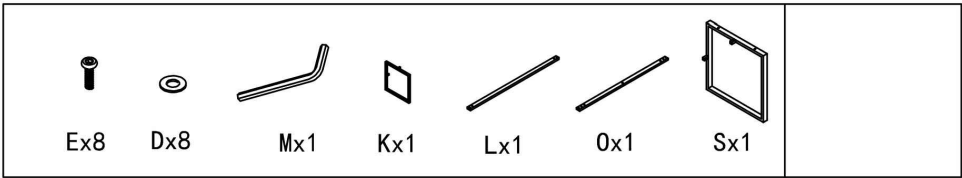
1



$G = G1 + G2$



2



BANAK

COIMBRA

CR-0107

3



Px7



Qx7



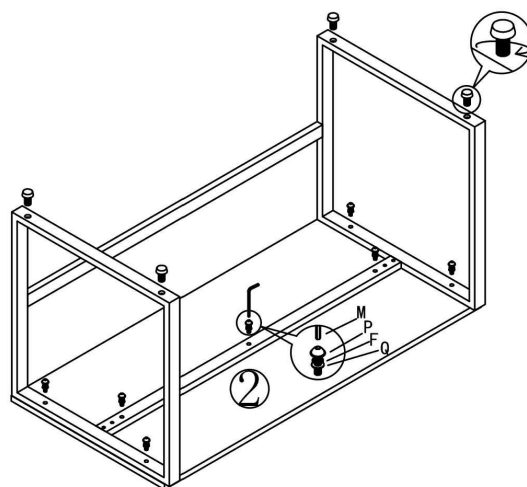
Fx7



Rx4



Mx1



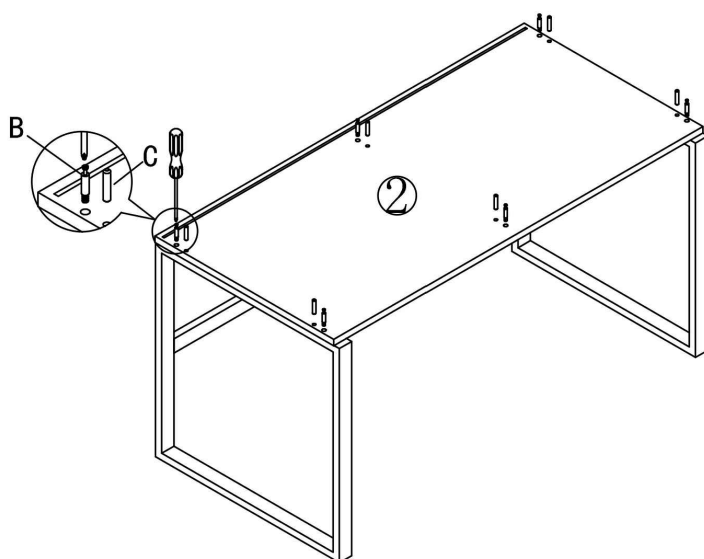
4



Bx6



Cx6



BANAK

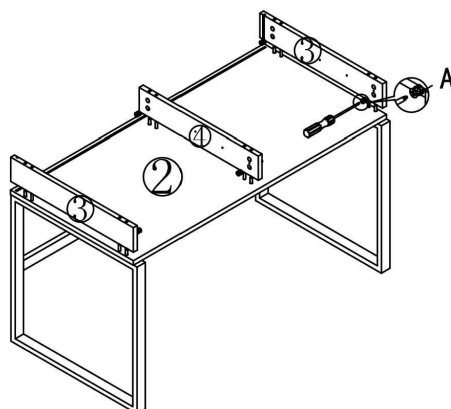
COIMBRA

CR-0107

5



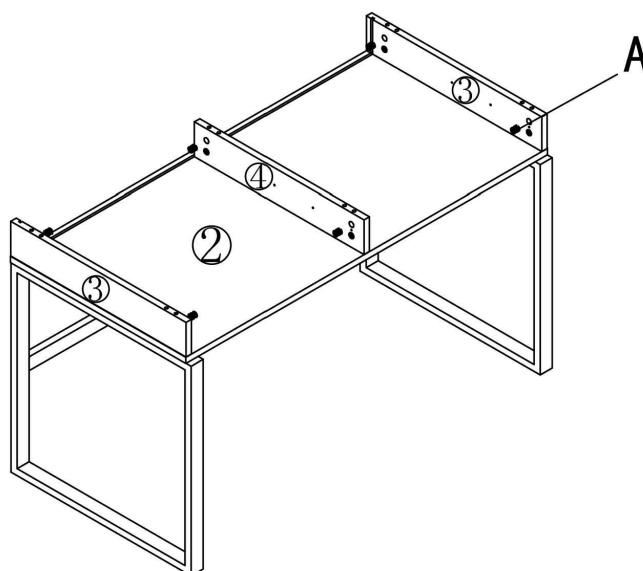
Ax6



6



Ax6



BANAK

COIMBRA

CR-0107

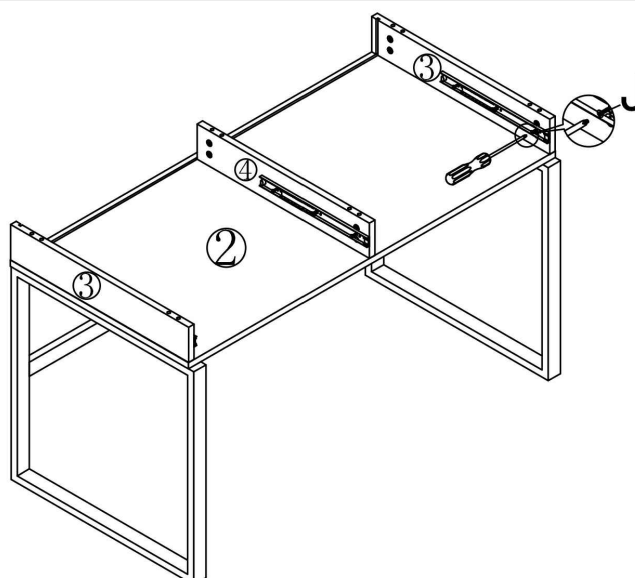
7



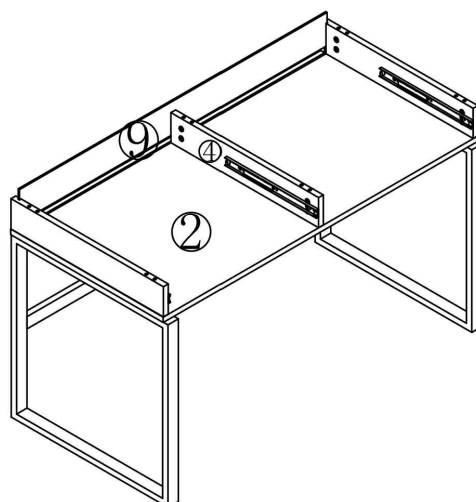
G2x4



Jx12



8



BANAK

COIMBRA

CR-0107

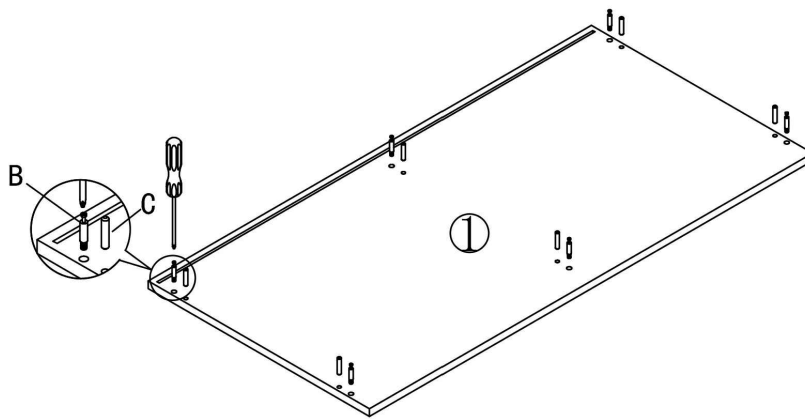
9



Bx6



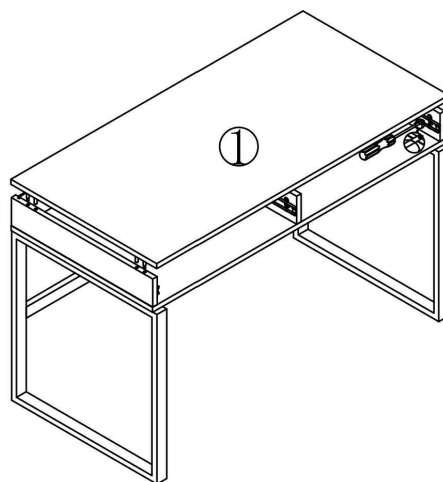
Cx6



10



Ax6

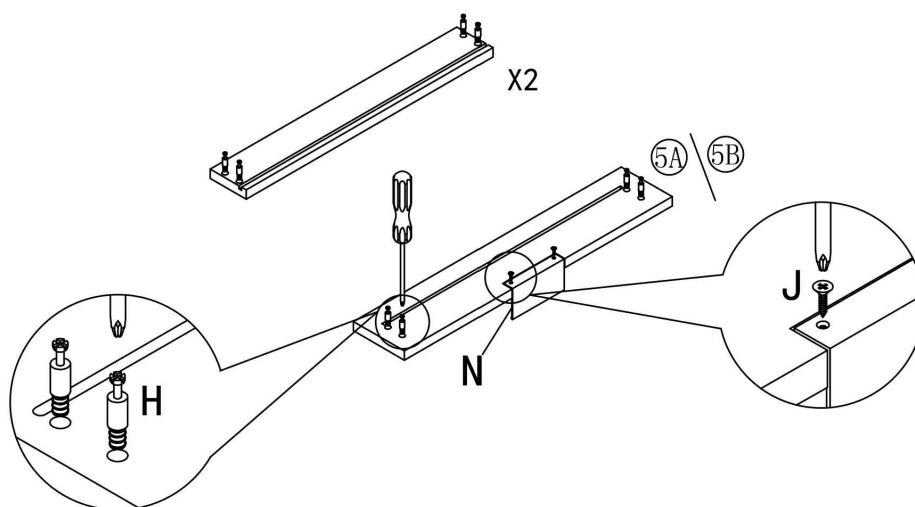
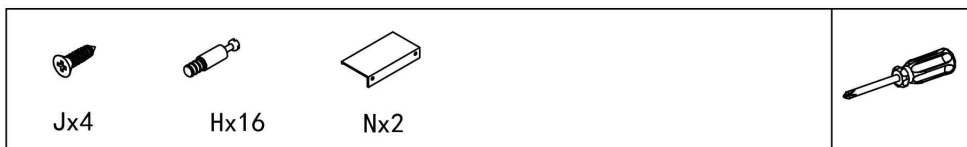


BANAK

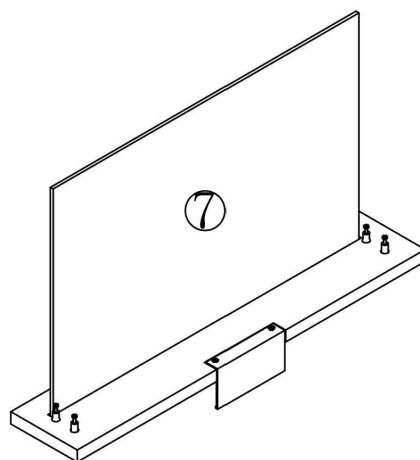
COIMBRA

CR-0107

11



12



BANAK

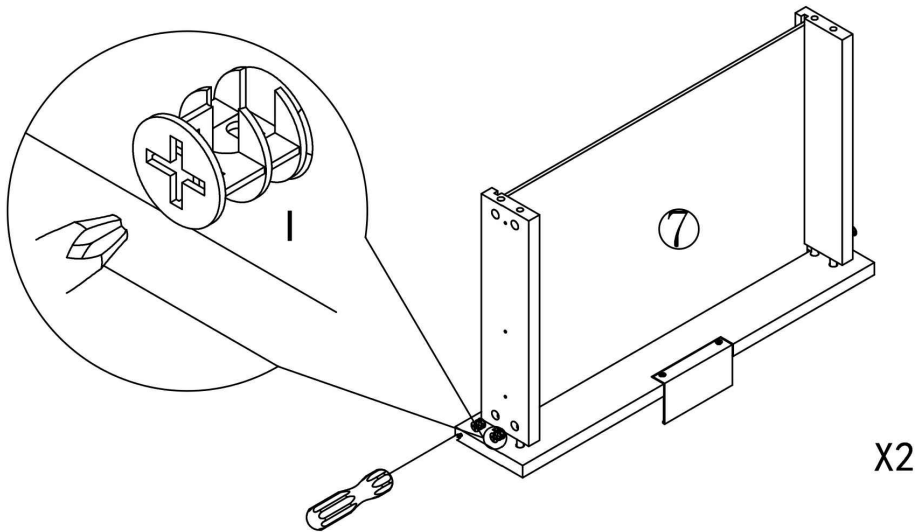
COIMBRA

CR-0107

13



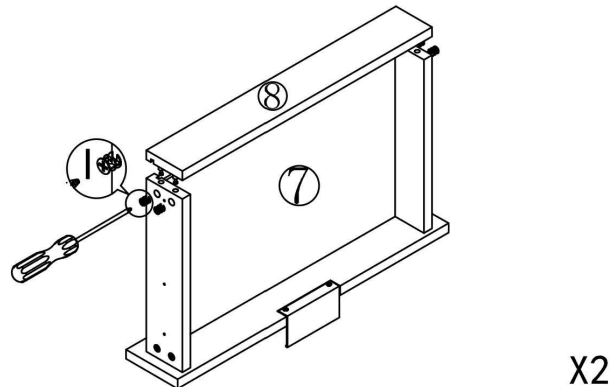
1x8



14



1x8



BANAK

COIMBRA

CR-0107

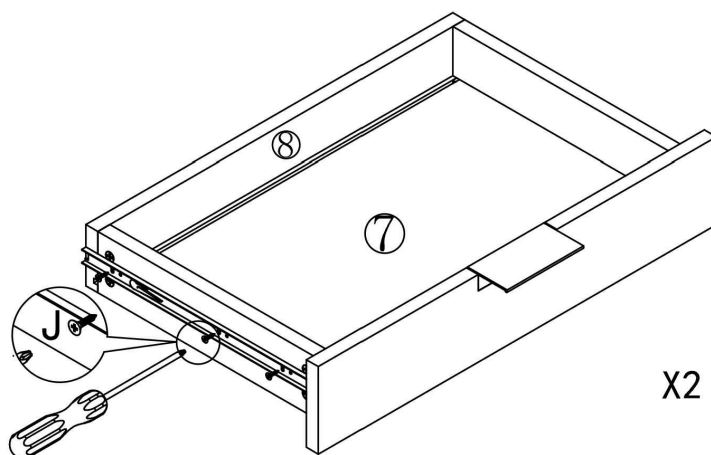
15



Jx12



G1x4



16

