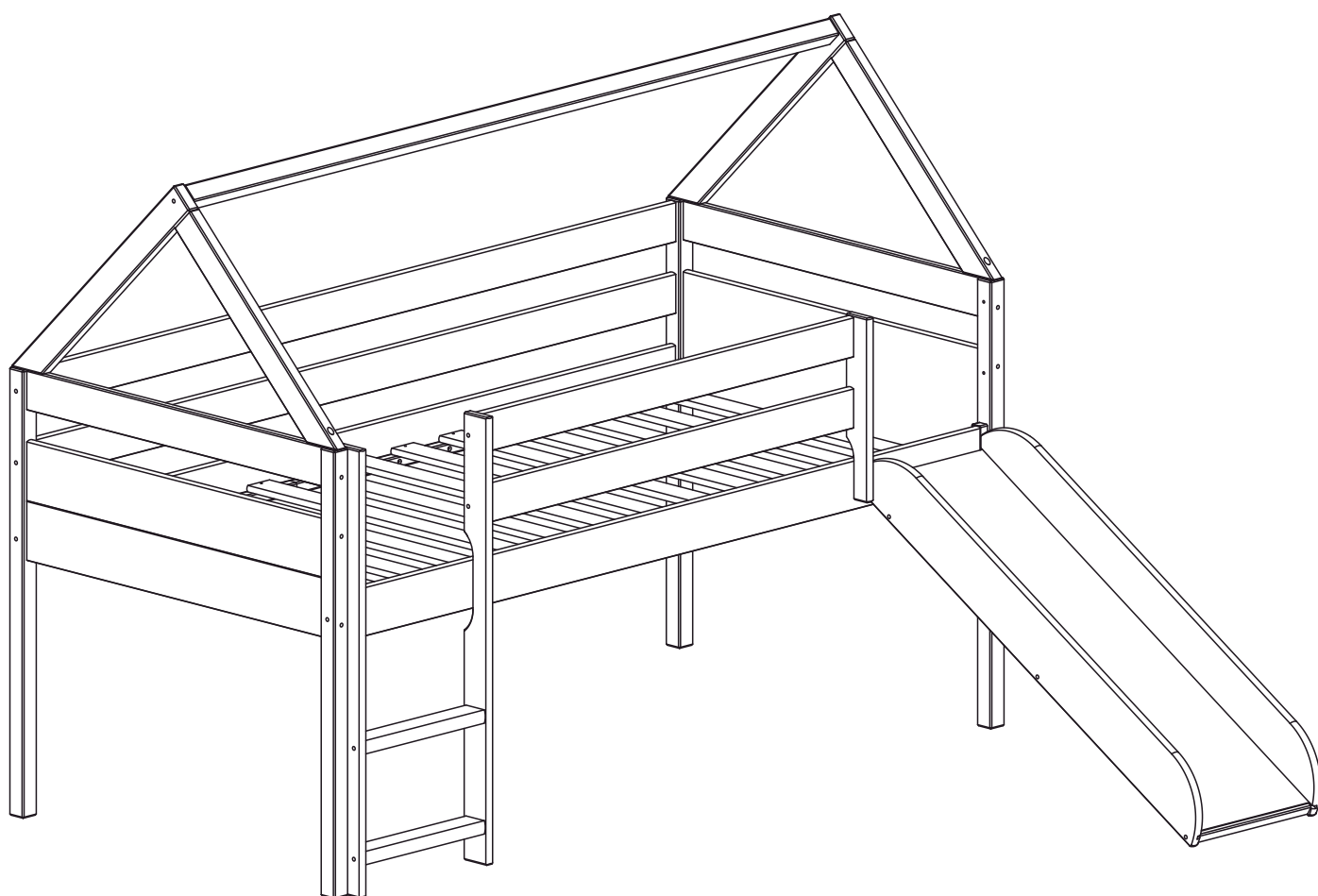


# BANAK

# HAUS

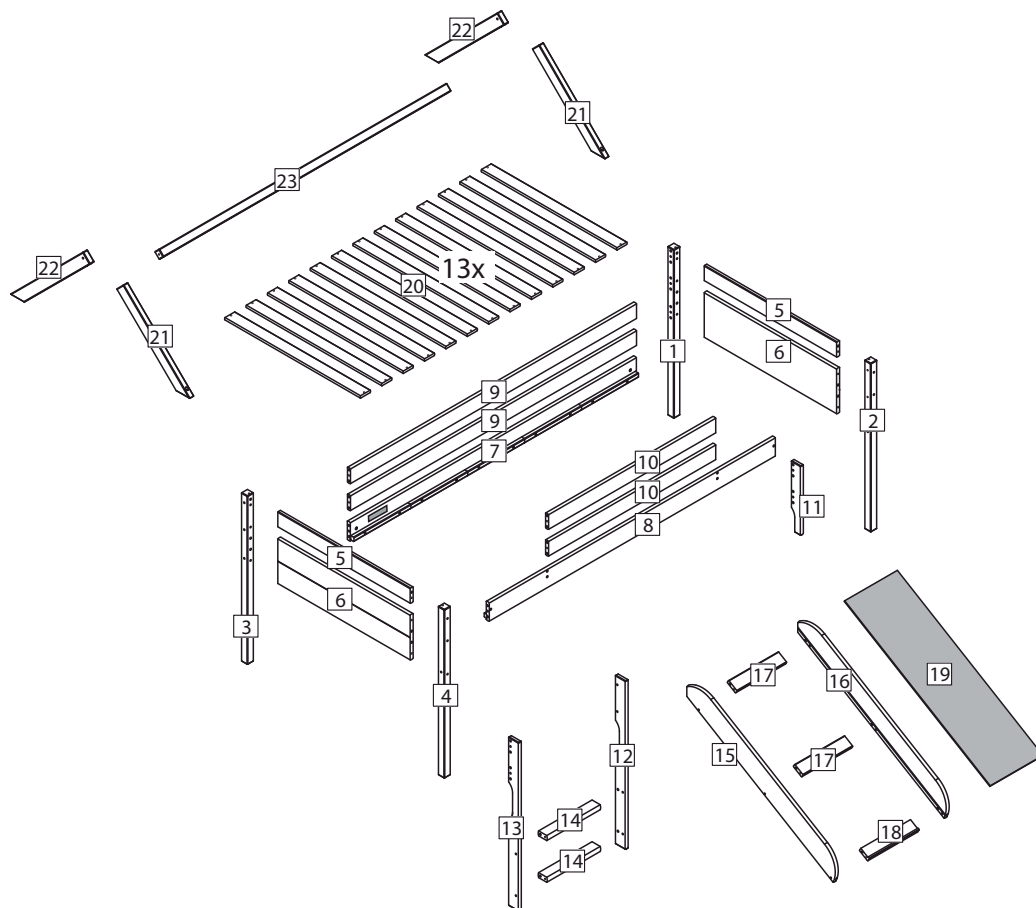
EGI-0003



# BANAK

# HAUS

EGI-0003



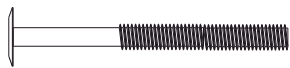
1	970 x 42 x 42mm	9	1900 x 90 x 20mm (2x)	17	330 x 65 x 20mm (2x)
2	970 x 42 x 42mm	10	1110 x 90 x 20mm (2x)	18	330 x 65 x 25mm
3	970 x 42 x 42mm	11	400 x 65 x 20mm	19	1128 x 350 x 6mm
4	970 x 42 x 42mm	12	970 x 70 x 20mm	20	900 x 70 x 14mm (13x)
5	879 x 89 x 20mm (2x)	13	970 x 70 x 20mm	21	619 x 65 x 30mm (2x)
6	879 x 262 x 20mm (2x)	14	355 x 60 x 29mm (2x)	22	684 x 65 x 30mm (2x)
7	1900 x 110 x 20mm	15	1180 x 139 x 20mm	23	1912 x 42 x 42mm
8	1900 x 110 x 20mm	16	1180 x 139 x 20mm		

# BANAK

# HAUS

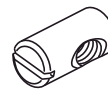
EGI-0003

A=4x



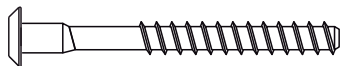
Ø1/4 x 90mm

B=4x



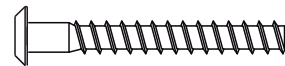
1/4

C=2x



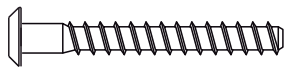
Ø7 x 100mm

D=16x



Ø7 x 60mm

E=18x

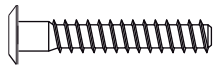


Ø7 x 80mm

F=1x



G=8x



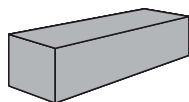
Ø7 x 50mm

H=48x



Ø10x40mm

I=2x



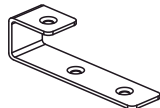
2

J=26x



Ø4 x 35mm

K=2x



L=6x



Ø3,5 x 16mm

# BANAK

# HAUS

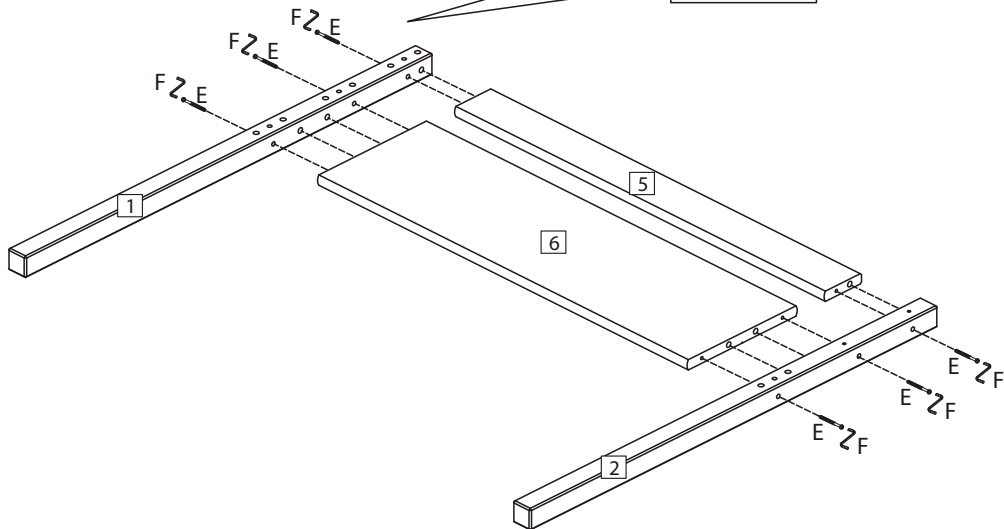
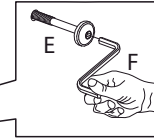
EGI-0003

3

E=6x  $\varnothing 7 \times 80\text{mm}$



F=1x



4

A=4x  $\varnothing 1/4 \times 90\text{mm}$



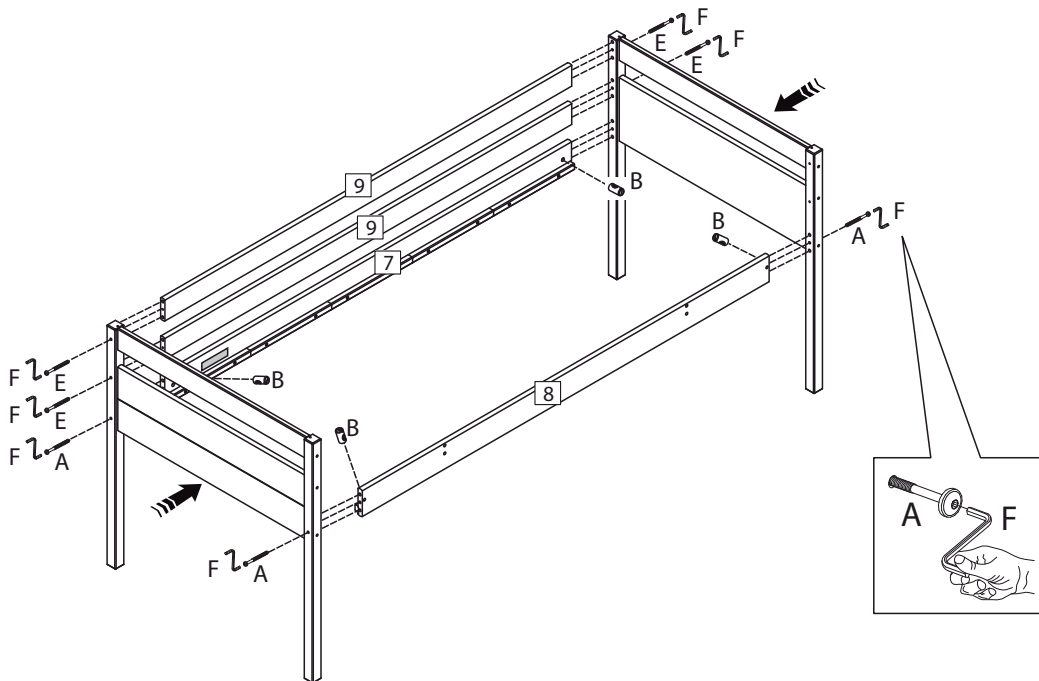
B=4x  $\varnothing 1/4$



E=4x  $\varnothing 7 \times 80\text{mm}$



F=1x



# BANAK

# HAUS

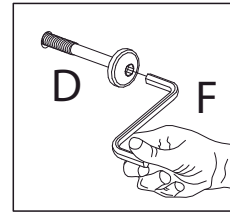
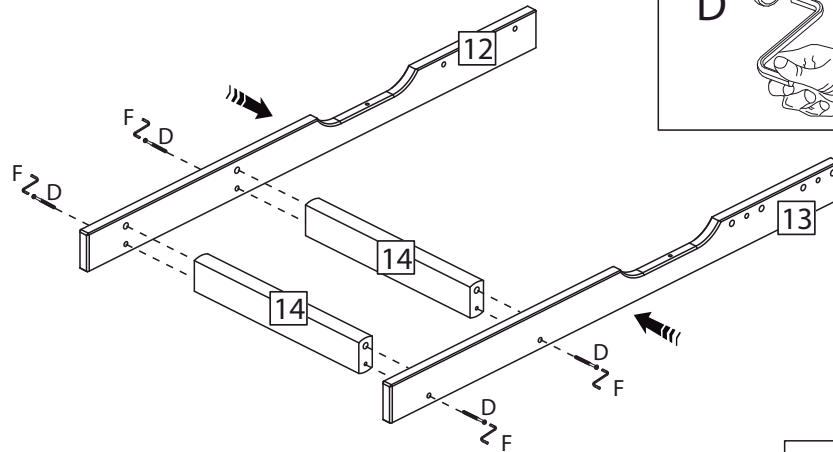
EGI-0003

5

D=4x  $\varnothing 7 \times 60\text{mm}$



F=1x

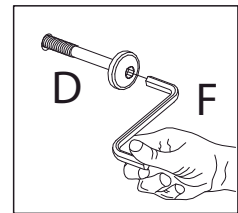
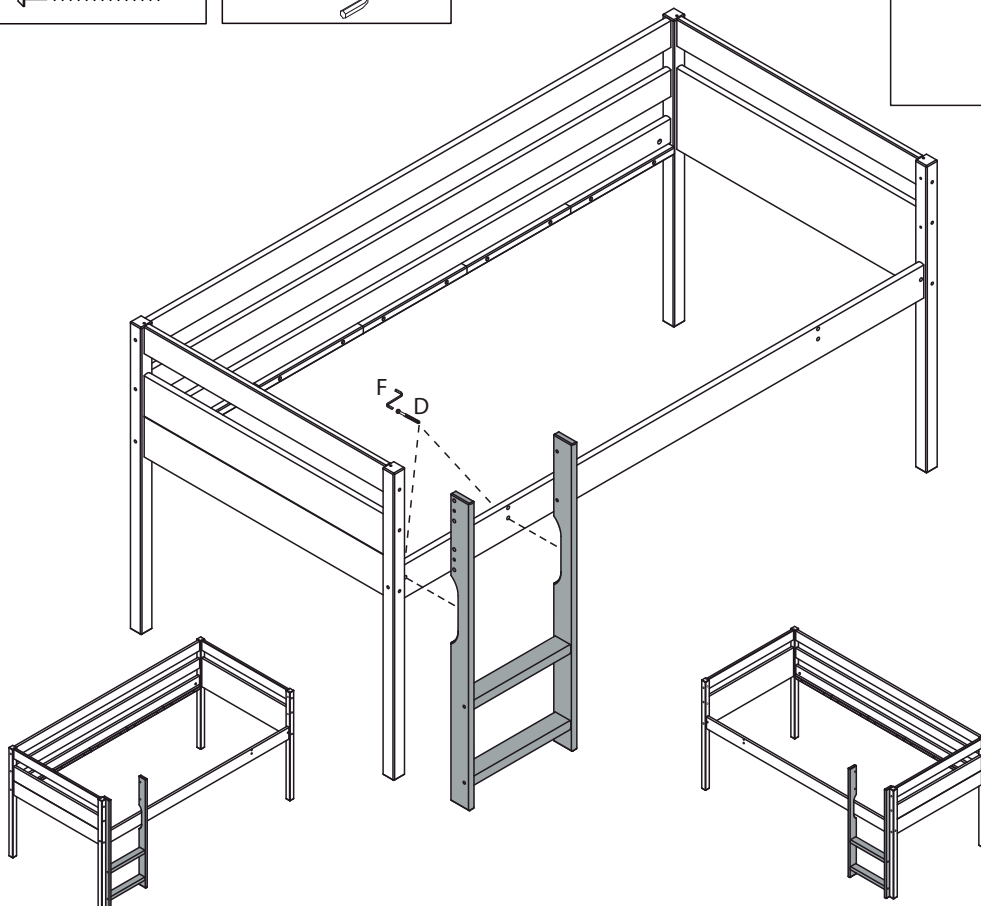


6

D=2x  $\varnothing 7 \times 60\text{mm}$



F=1x

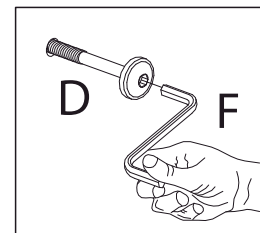
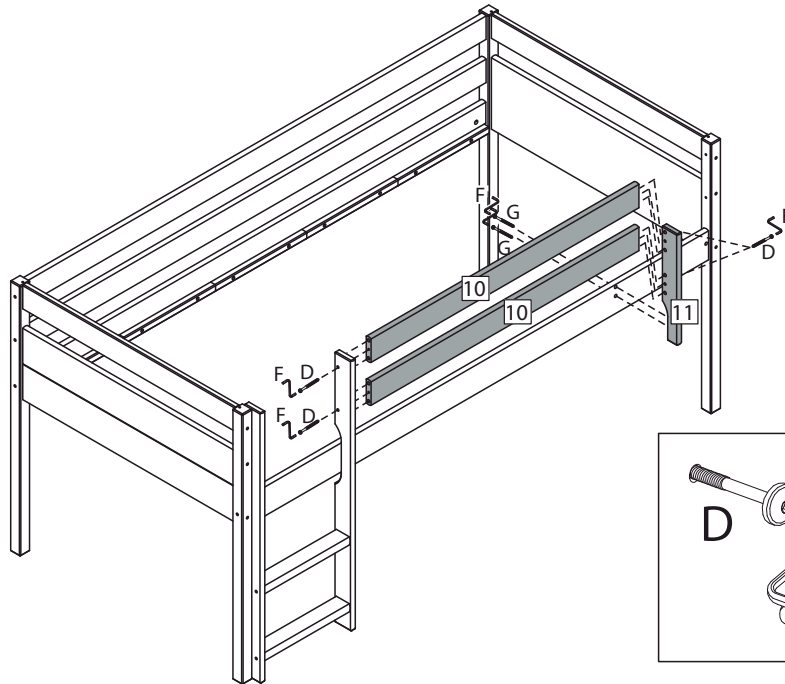
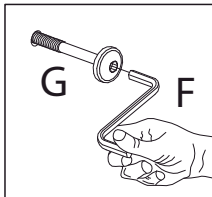
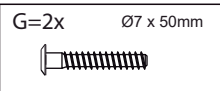
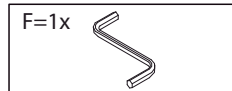
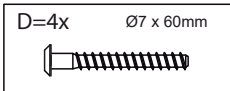


# BANAK

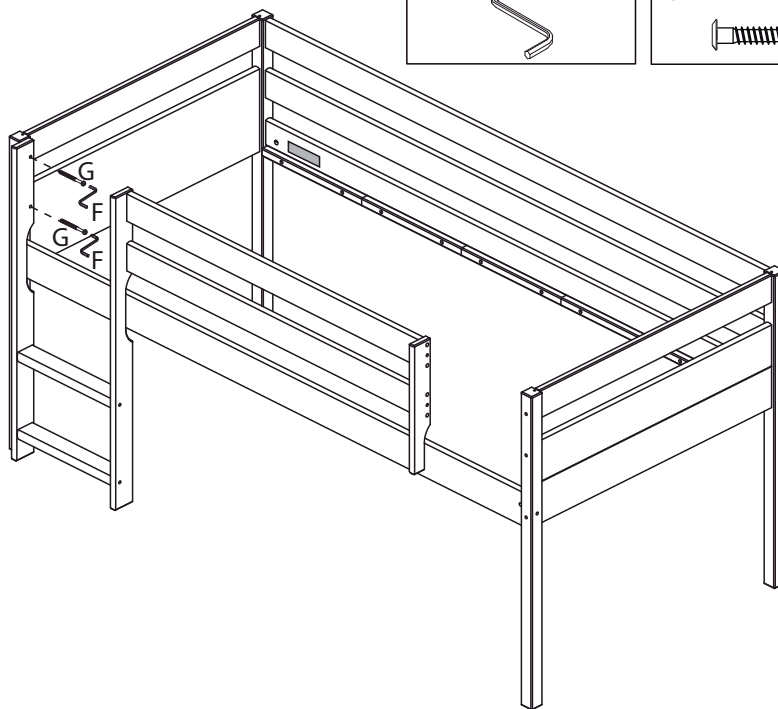
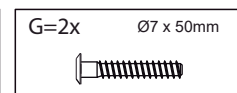
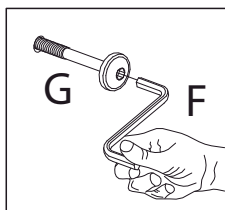
# HAUS

EGI-0003

7



8

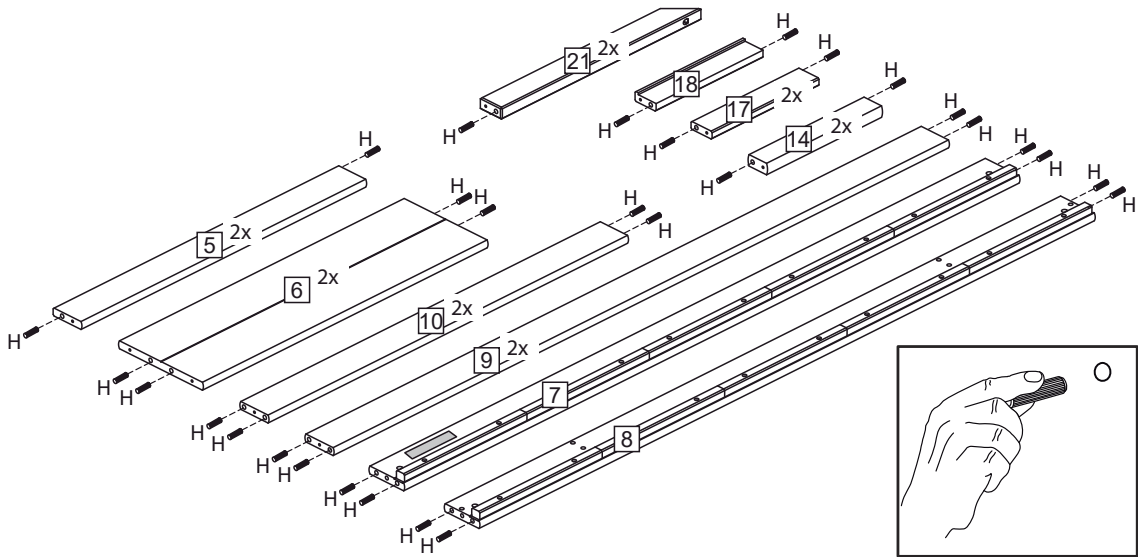
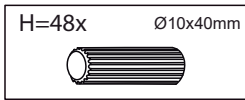


# BANAK

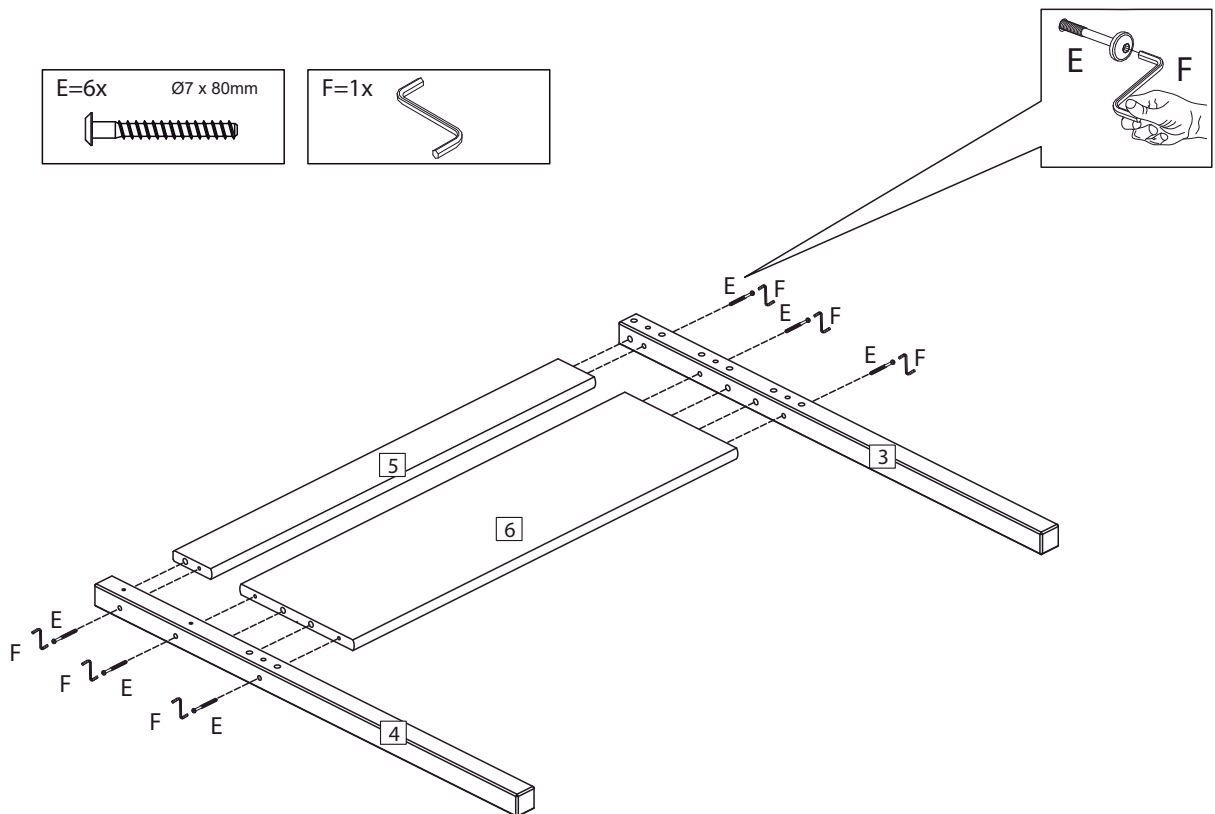
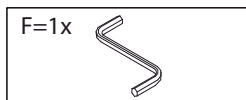
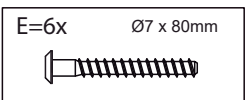
# HAUS

EGI-0003

1



2

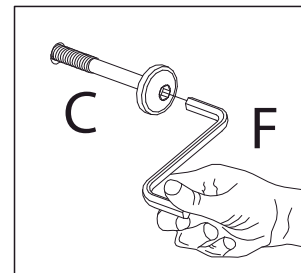
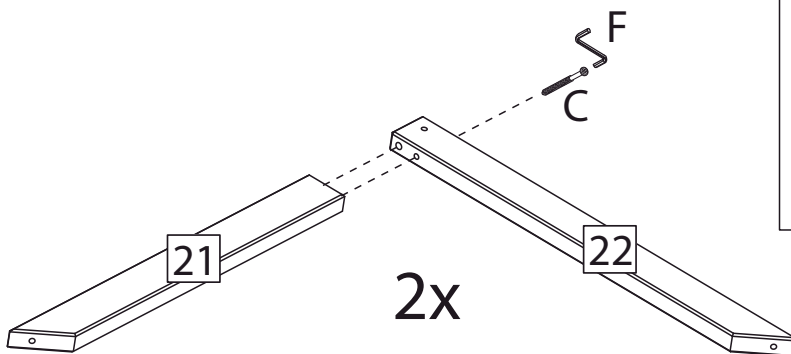
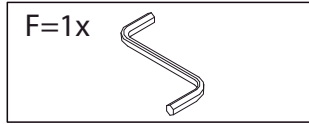
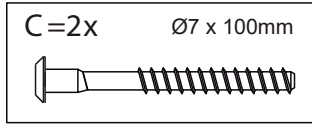


# BANAK

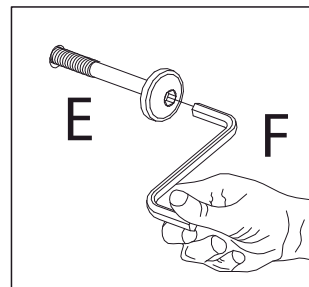
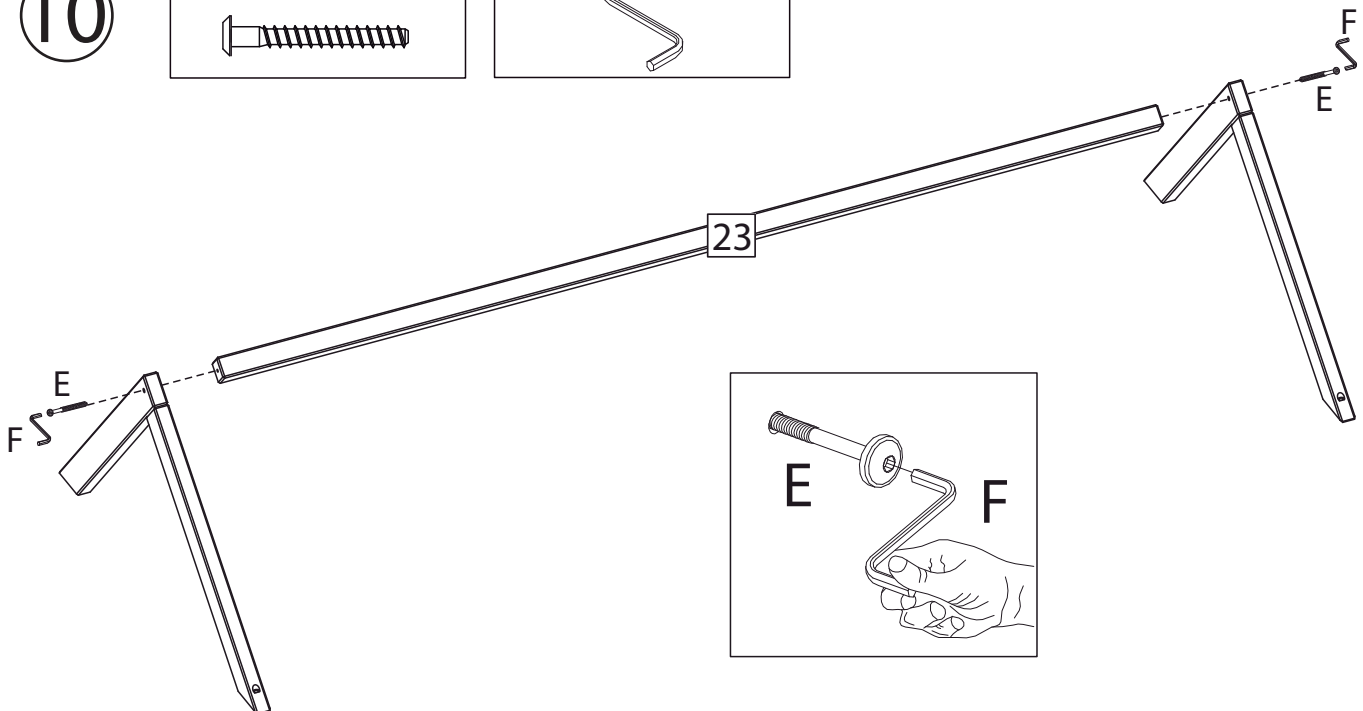
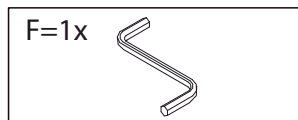
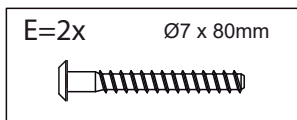
# HAUS

EGI-0003

9



10



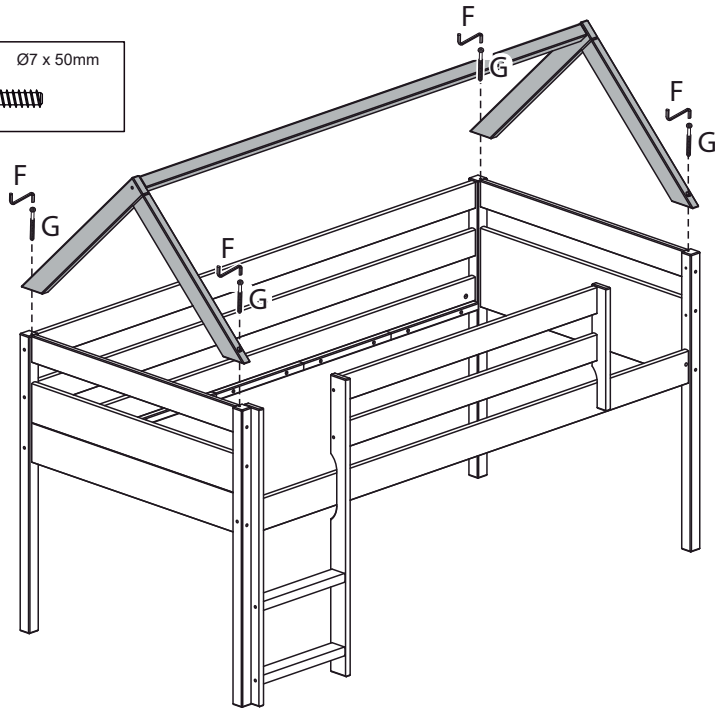
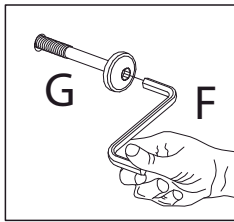
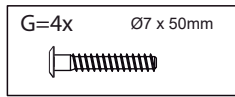
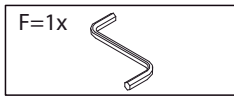


# BANAK

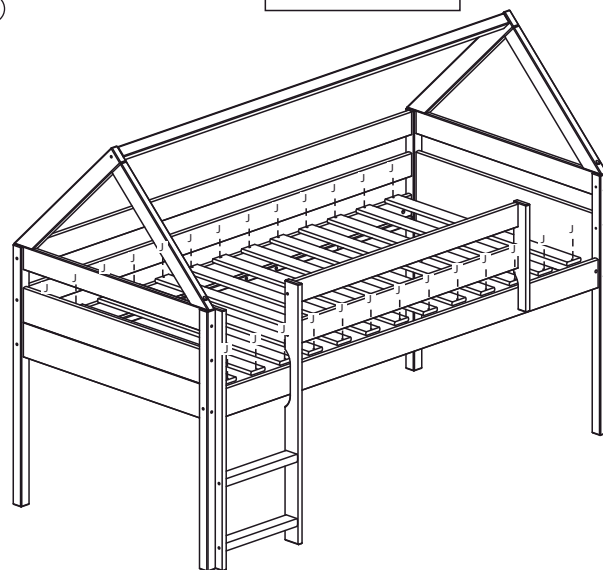
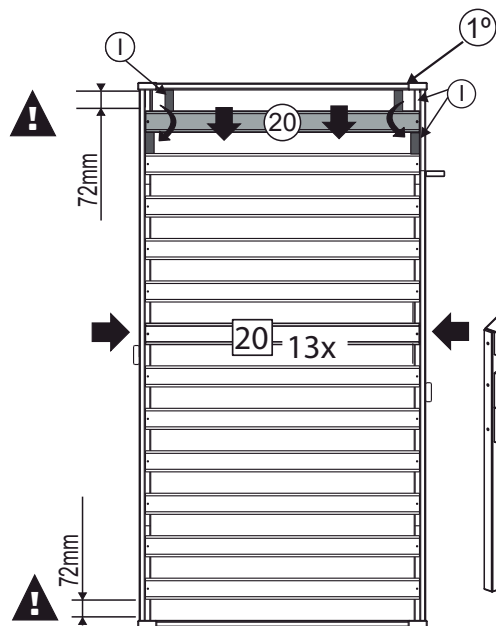
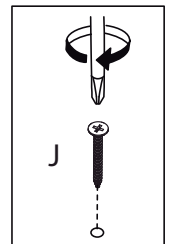
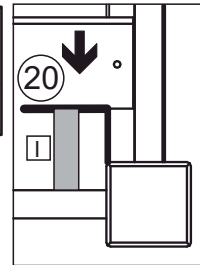
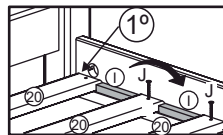
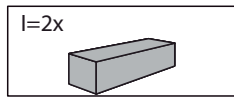
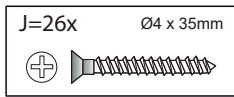
# HAUS

EGI-0003

11



12



# BANAK

# HAUS

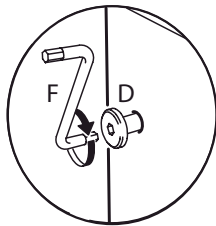
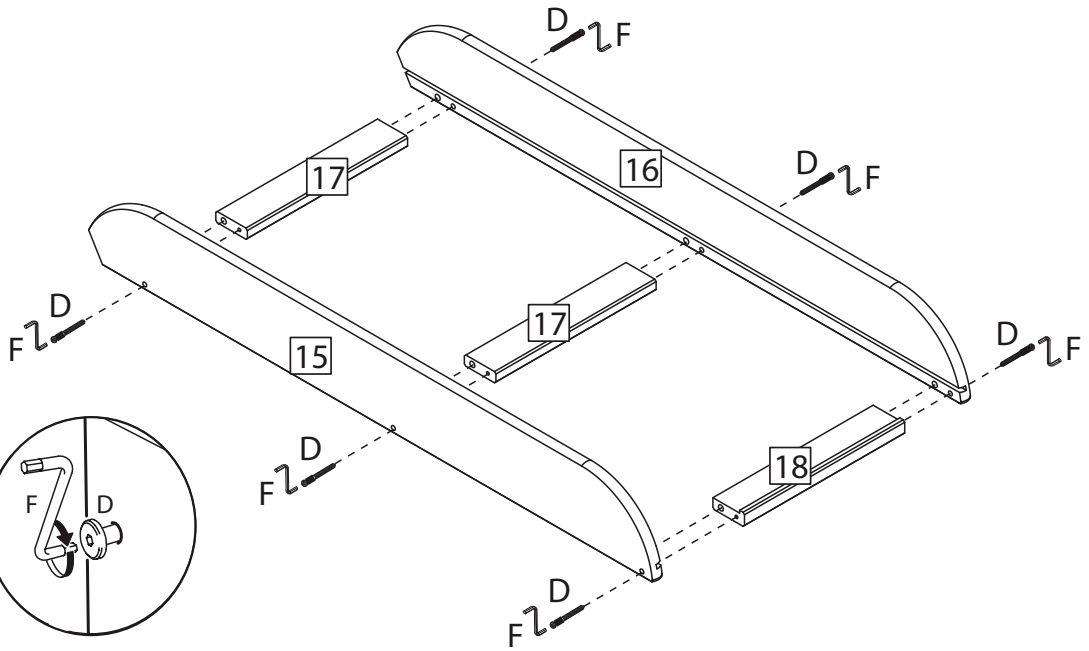
EGI-0003

13

D=6x    Ø7 x 60mm

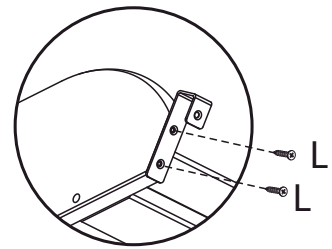
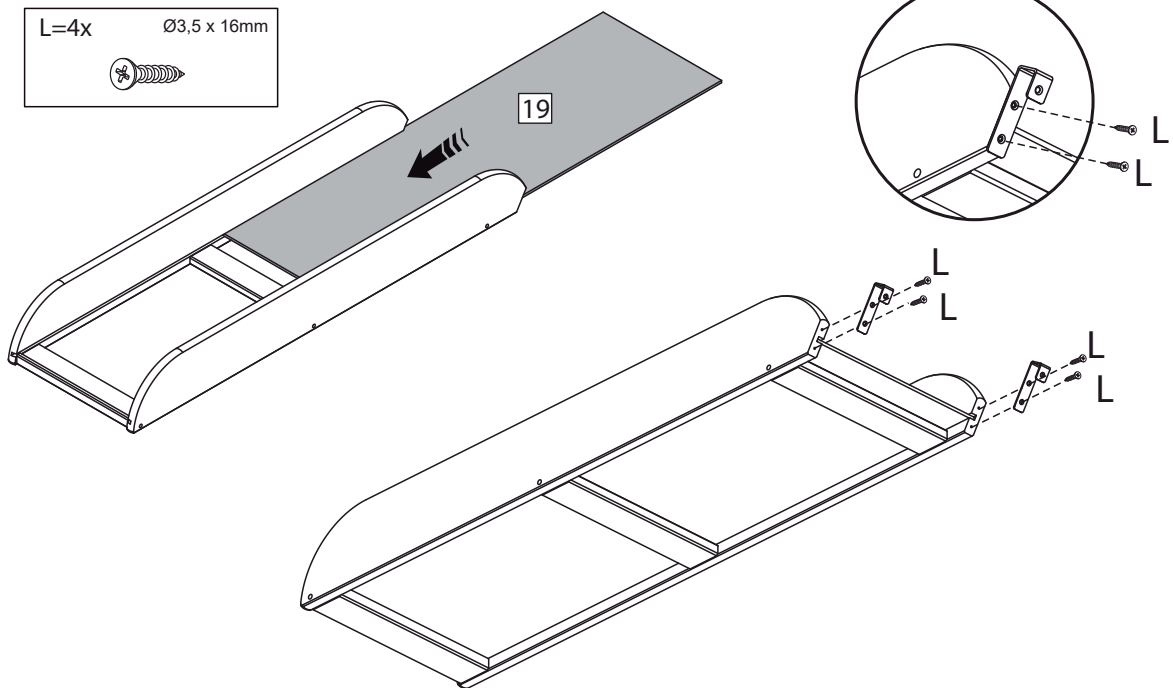


F=1x



14

L=4x    Ø3,5 x 16mm



# BANAK

# HAUS

EGI-0003

15

L=2x Ø3,5 x 16mm

