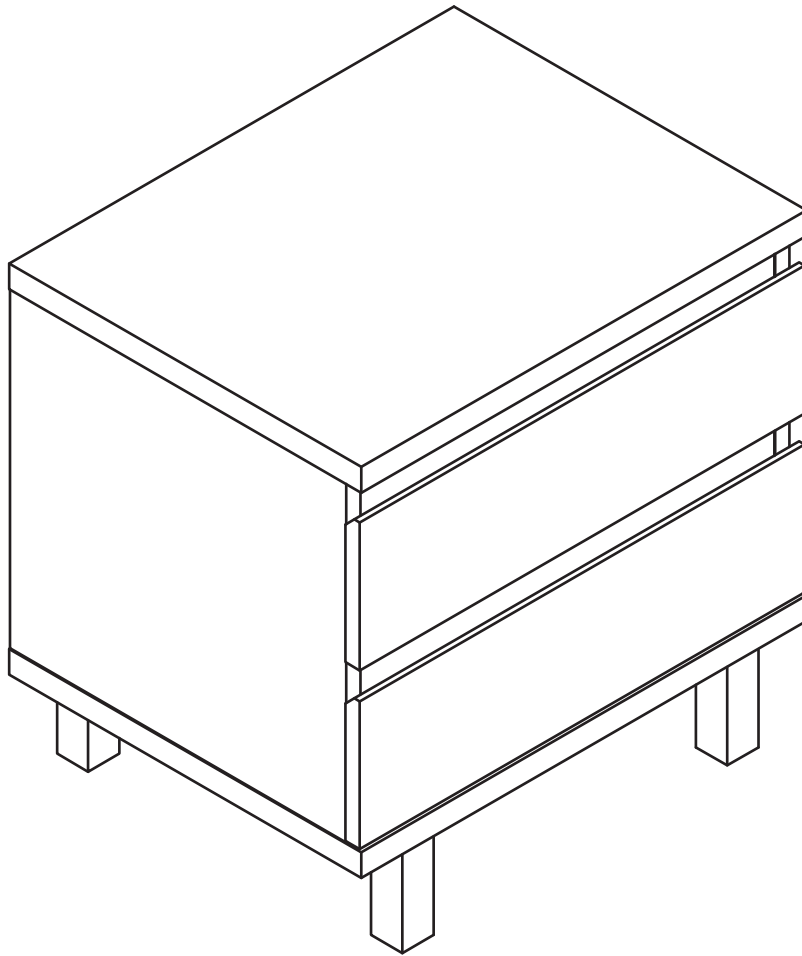


BANAK

ELLINOR

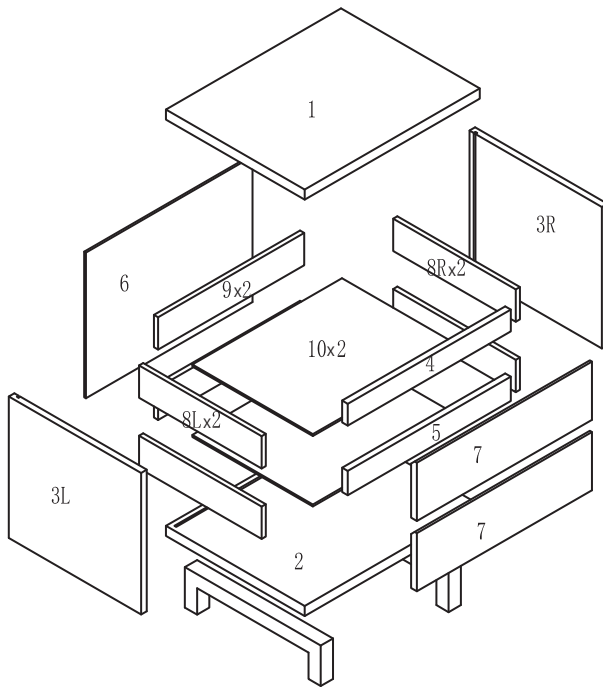
EN-0100BE-R









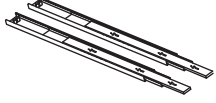

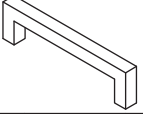
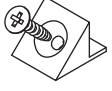
BANAK

ELLINOR

EN-0100BE-R



1	500x396x25	x1
2	500x396x25	x1
3	350x378x16	x2
4	466x54x16	x1
5	466x60x16	x1
6	476x360x5	x1
7	500x144x16	x2
8	350x80x12	x4
9	417x80x12	x2
10	427x344x5	x2

		
A M6x40 13pcs	B $\phi 15 \times 13.5$ 13pcs	C $\phi 8 \times 30$ 10pcs
		
D $\phi 12 \times 10 \text{mm}$ 8set	E M4x14 24pcs	F M4x30 8pcs
		
K 12" 2set	G M6x25 4pcs	L H100 2pcs
		
N / 4pcs		

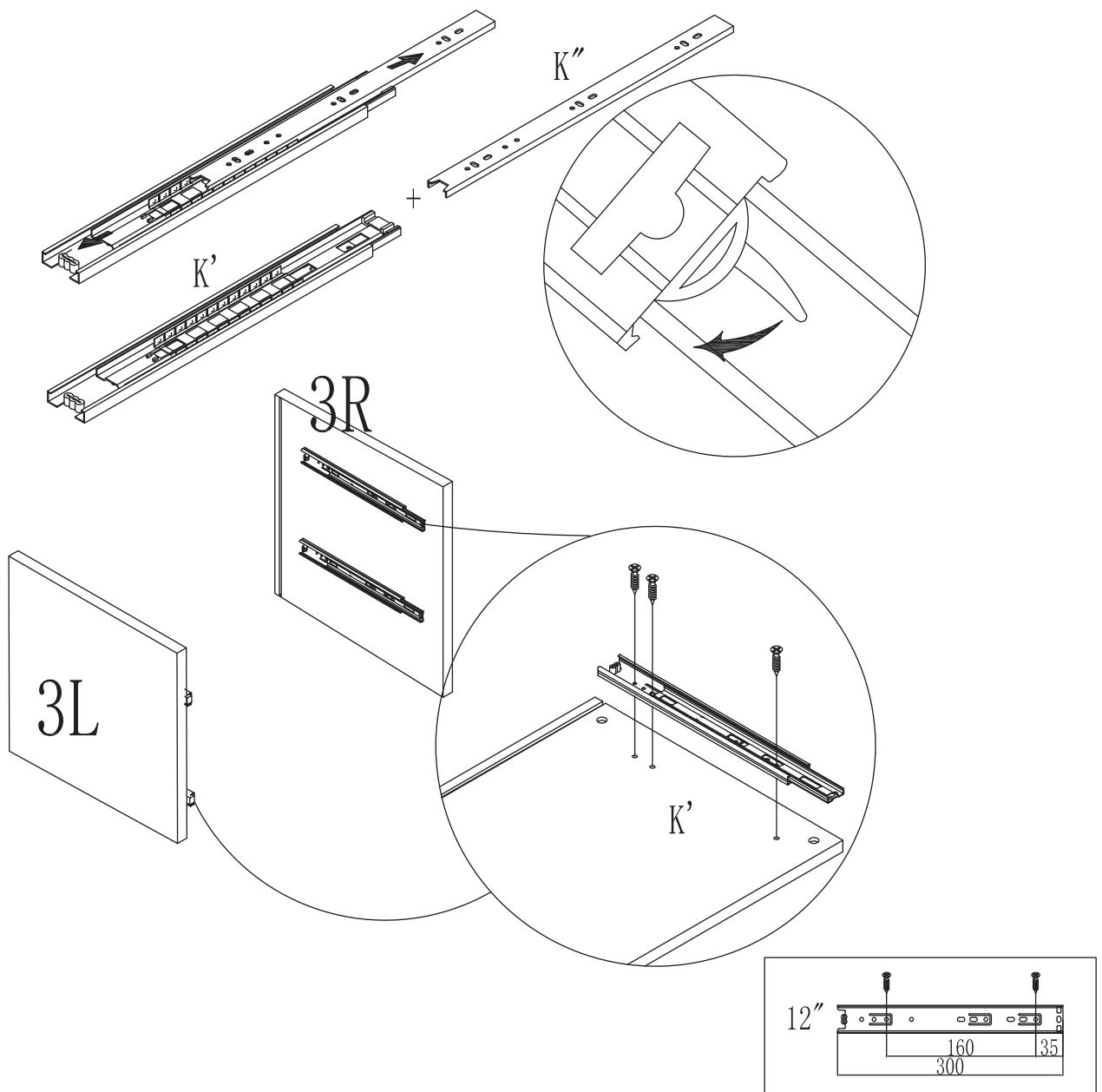
BANAK

ELLINOR

EN-0100BE-R

1

K 12" 2set	E M4x14 12pcs






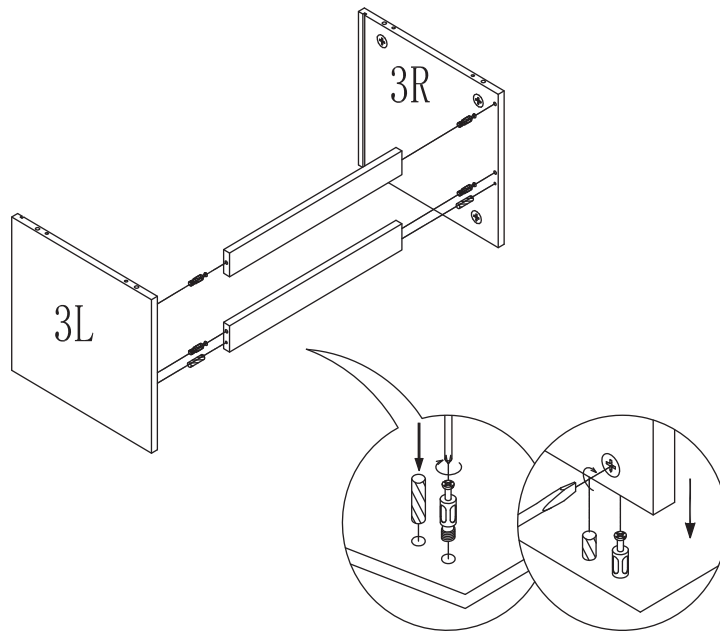
BANAK

ELLINOR


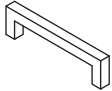
EN-0100BE-R

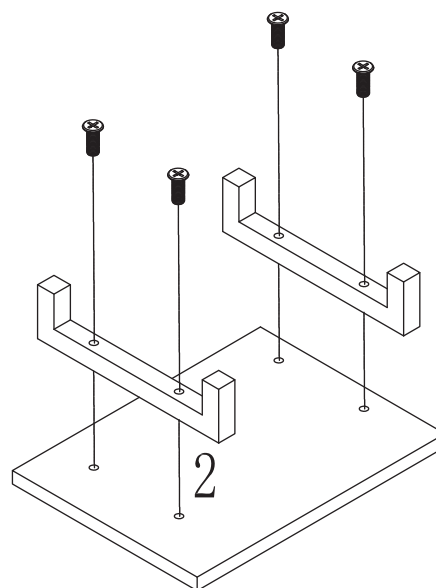
2

		
A	M6x40	4pcs
B	Ø15x13.5	4pcs
C	Ø8x30	2pcs



3

		
G	M6x25	4pcs
L	H100	2pcs






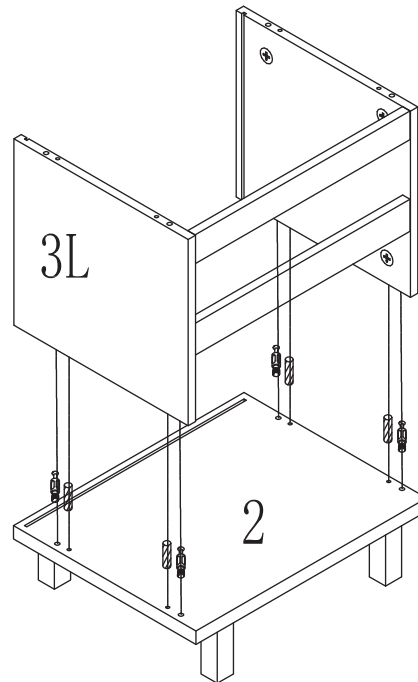
BANAK

ELLINOR




EN-0100BE-R

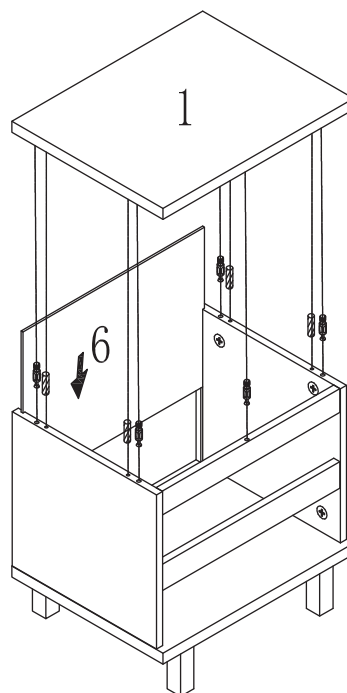
4

					
A	M6x40 4pcs	B	Ø15x13.5 4pcs	C	Ø8x30 4pcs



5

	A	M6x40 5pcs
	B	Ø15x13.5 5pcs
	C	Ø8x30 4pcs








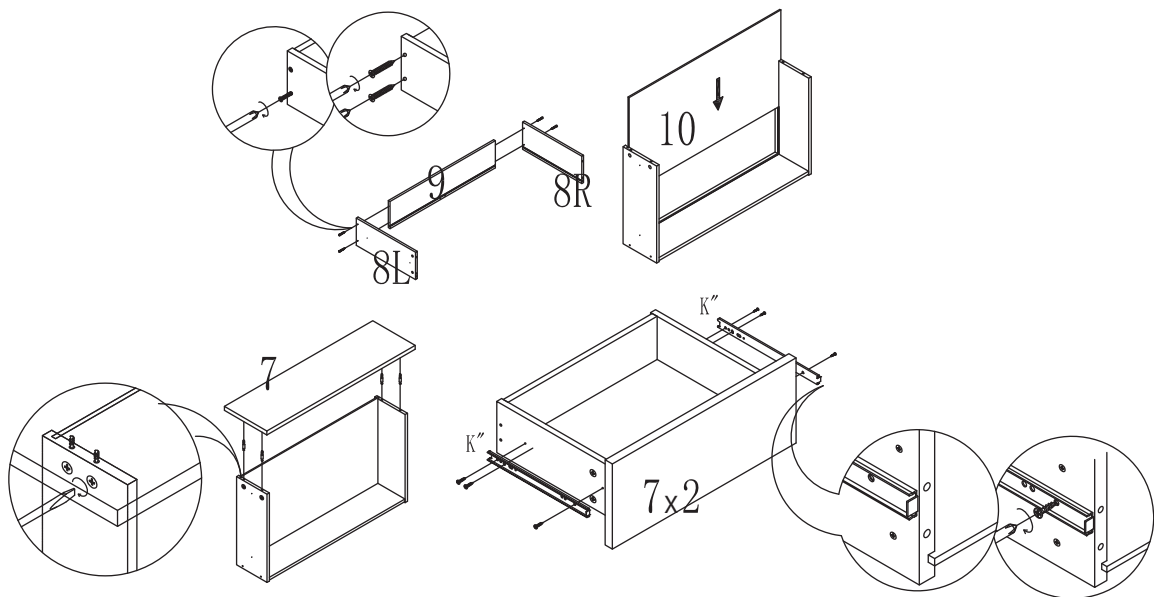
BANAK

ELLINOR

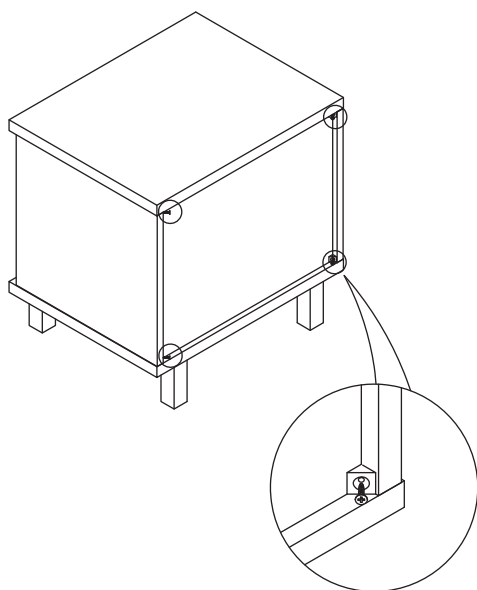
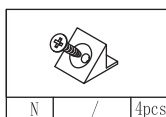
EN-0100BE-R

6

											
D	∅12x10	8set	E	M4x14	12pcs	F	M4x30	8pcs	K	12"	2set



7



8

