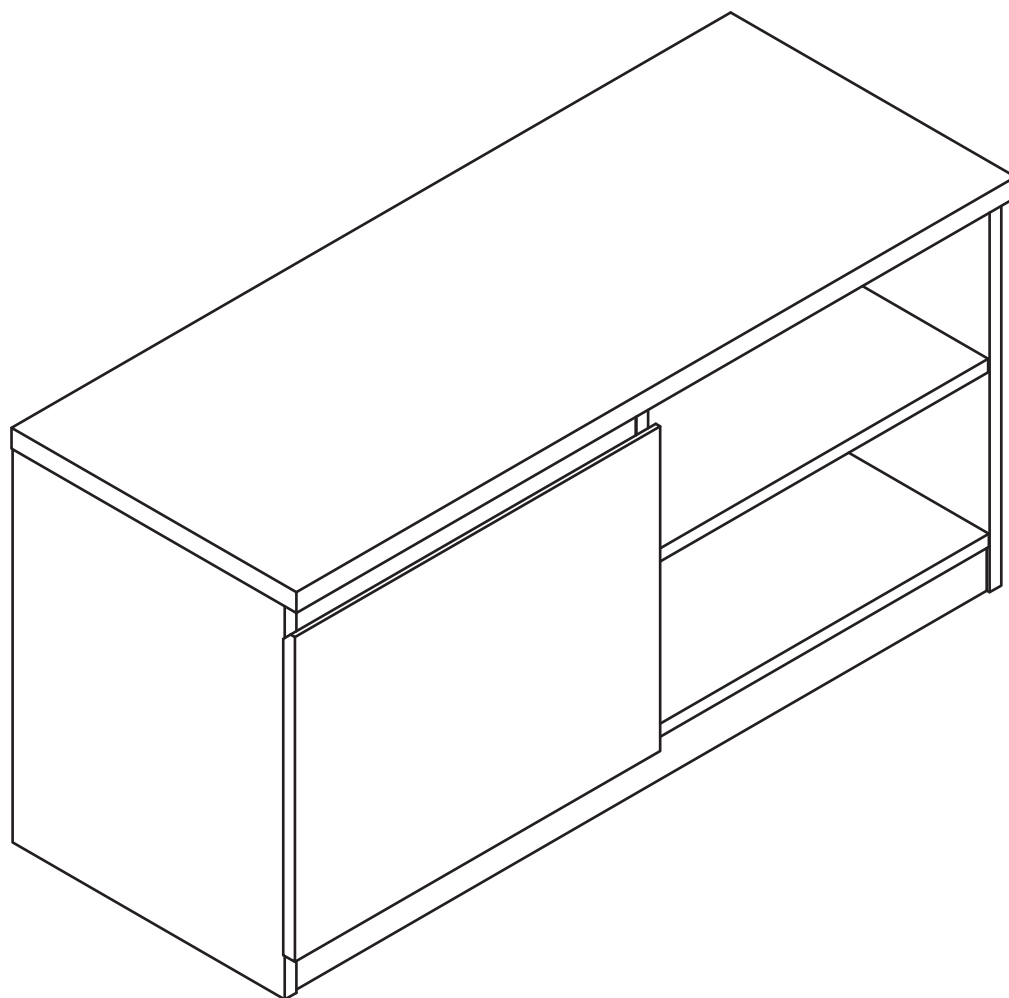


# BANAK

# ELLINOR

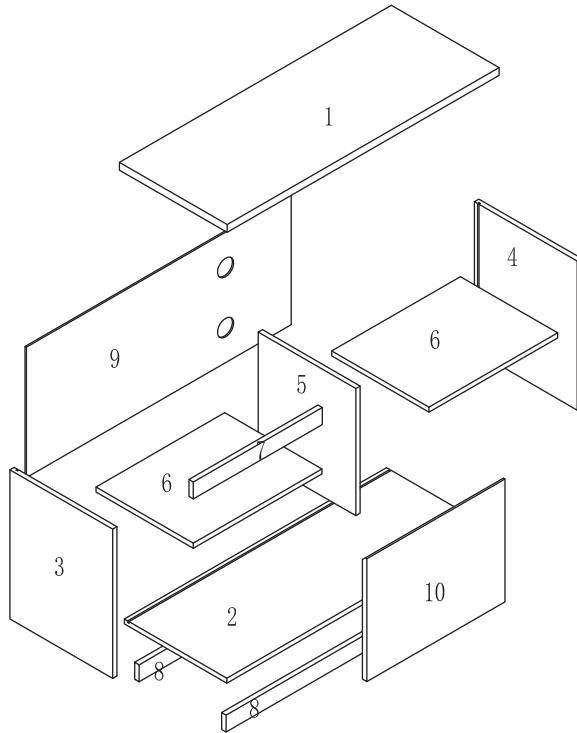
EN-0102BE-R






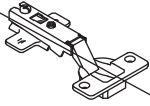


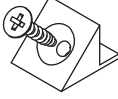
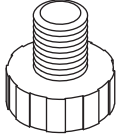
# BANAK

# ELLINOR

EN-0102BE-R



1	1000x396x25	x1
2	964x377x16	x1
3	475x378x16	x1
4	475x378x16	x1
5	405x359x16	x1
6	473x358x16	x2
7	474x54x16	x1
8	964x54x16	x2
9	974x415x5	x1
10	508x391x16	x1

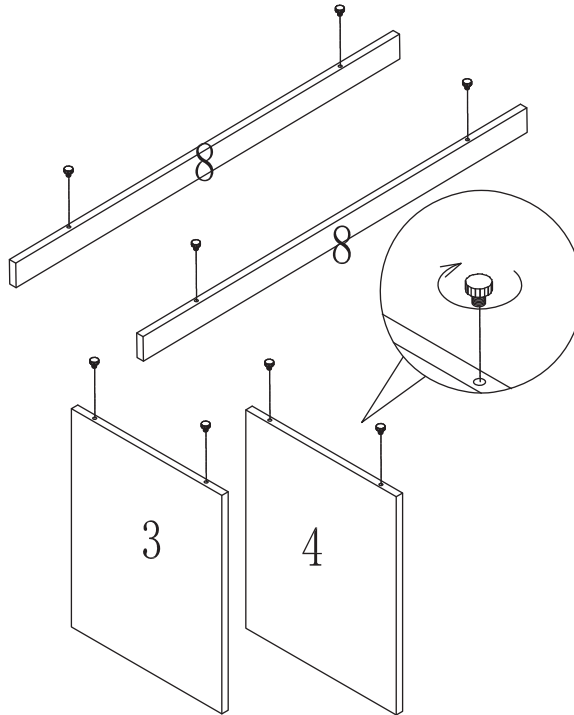
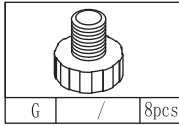
		
A M6x40 27pcs	B $\phi 15 \times 13.5$ 27pcs	C $\phi 8 \times 30$ 16pcs
		
M / 2pcs	H / 8pcs	Z $\phi 20$ 27pcs
		
N / 6pcs	G / 8pcs	

# BANAK

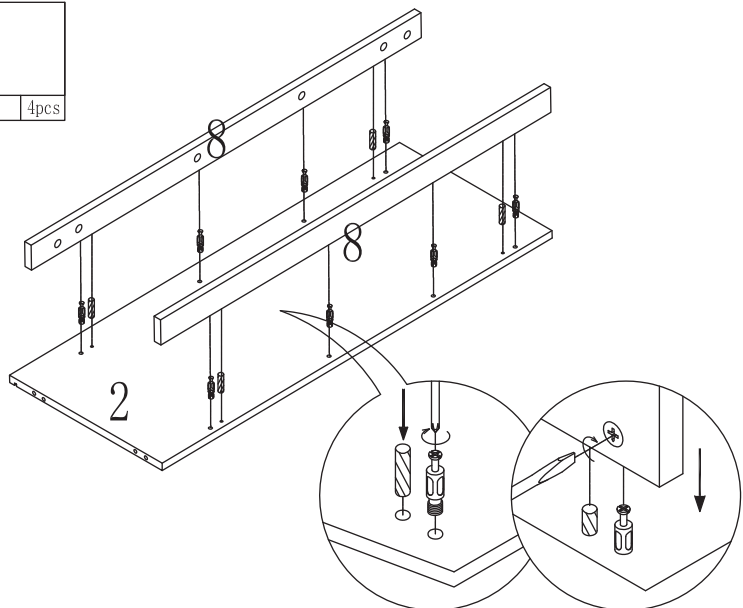
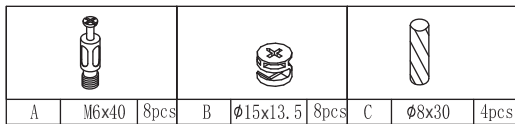
# ELLINOR

EN-0102BE-R

1



2






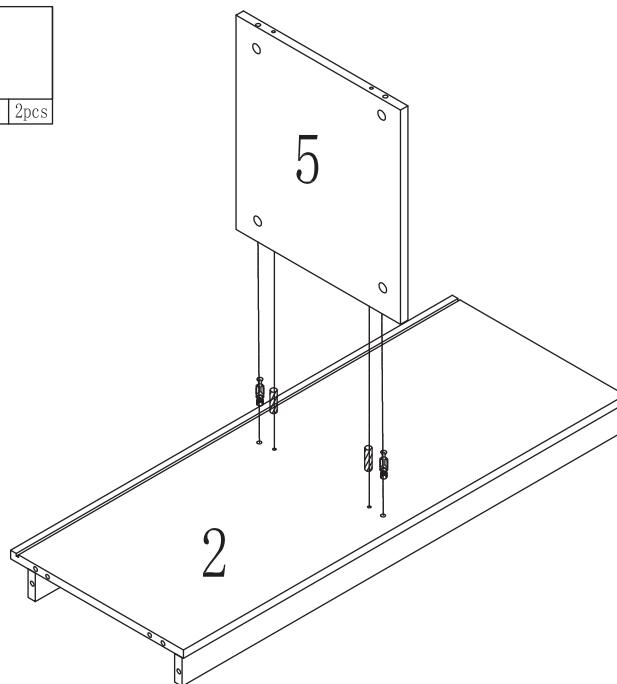
# BANAK

# ELLINOR




EN-0102BE-R

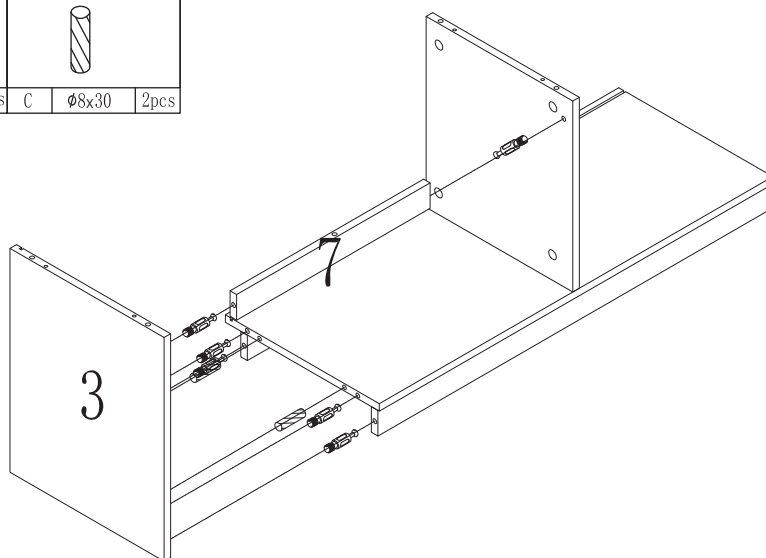
3

								
A	M6x40	2pcs	B	Ø15x13.5	2pcs	C	Ø8x30	2pcs



4

								
A	M6x40	6pcs	B	Ø15x13.5	6pcs	C	Ø8x30	2pcs






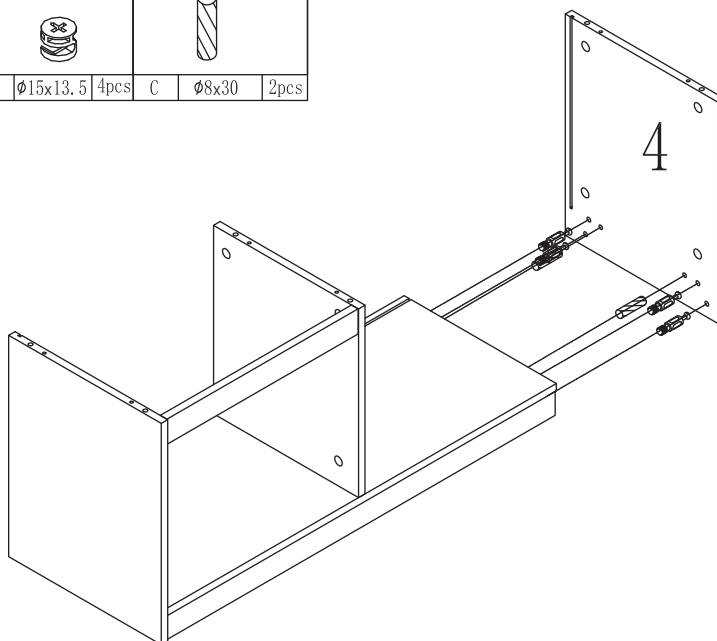
# BANAK

# ELLINOR




EN-0102BE-R

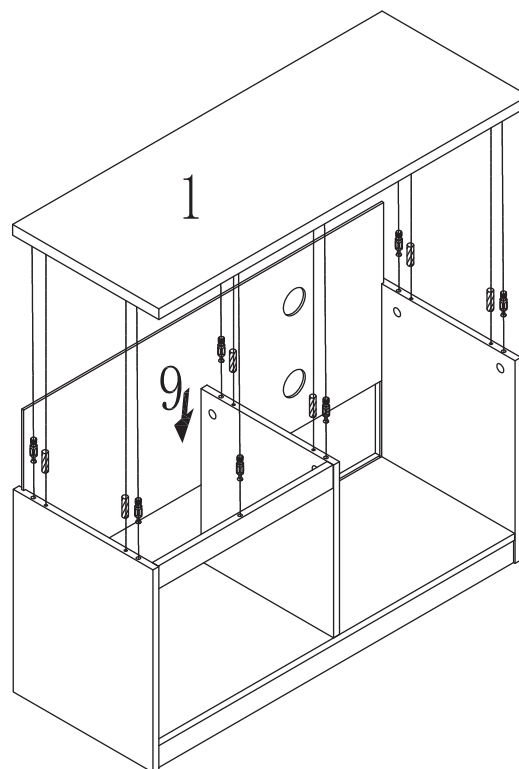
5

					
A	M6x40 4pcs	B	Ø15x13.5 4pcs	C	Ø8x30 2pcs



6

					
A	M6x40 7pcs	B	Ø15x13.5 7pcs	C	Ø8x30 6pcs

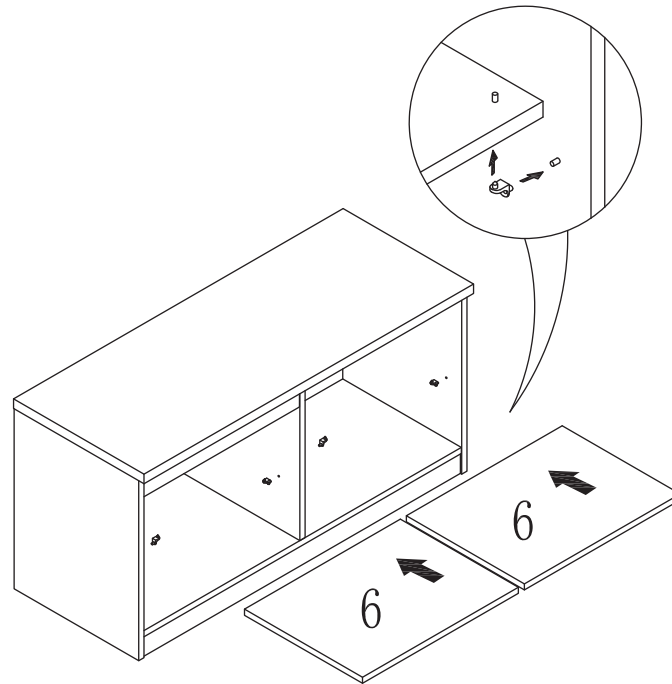
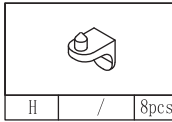


# BANAK

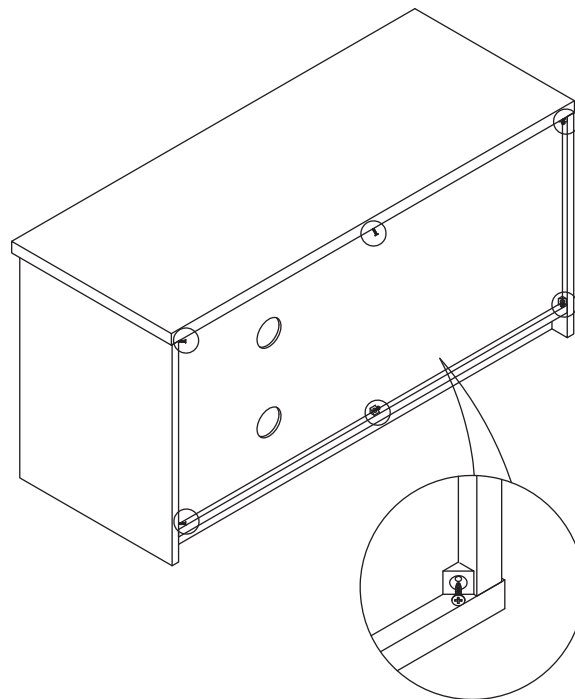
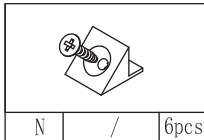
# ELLINOR

EN-0102BE-R

7



8

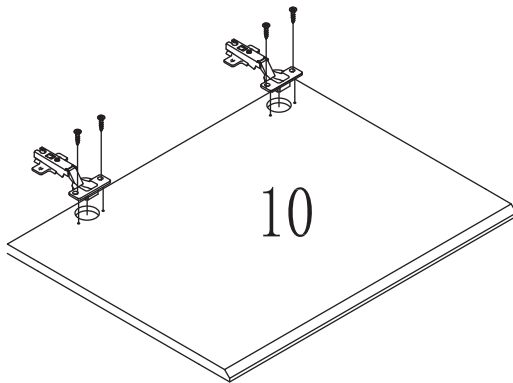
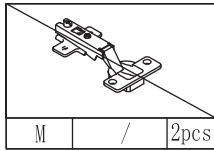


# BANAK

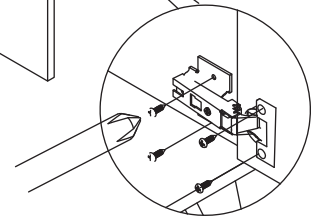
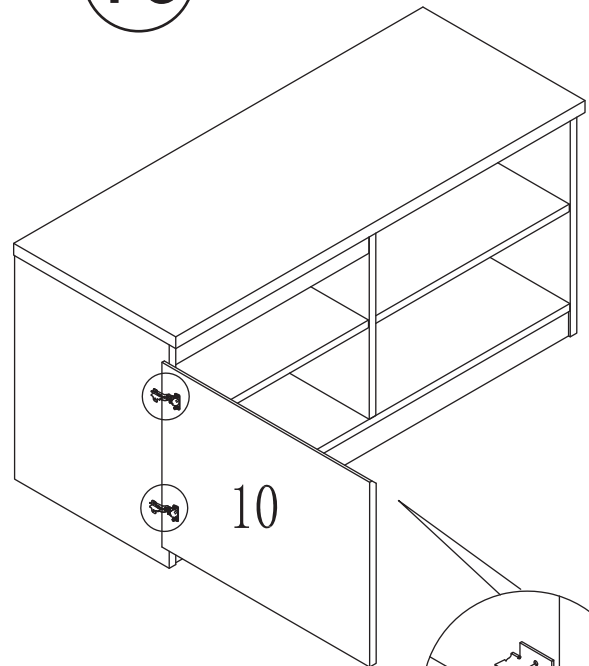
# ELLINOR

EN-0102BE-R

9



10



11

