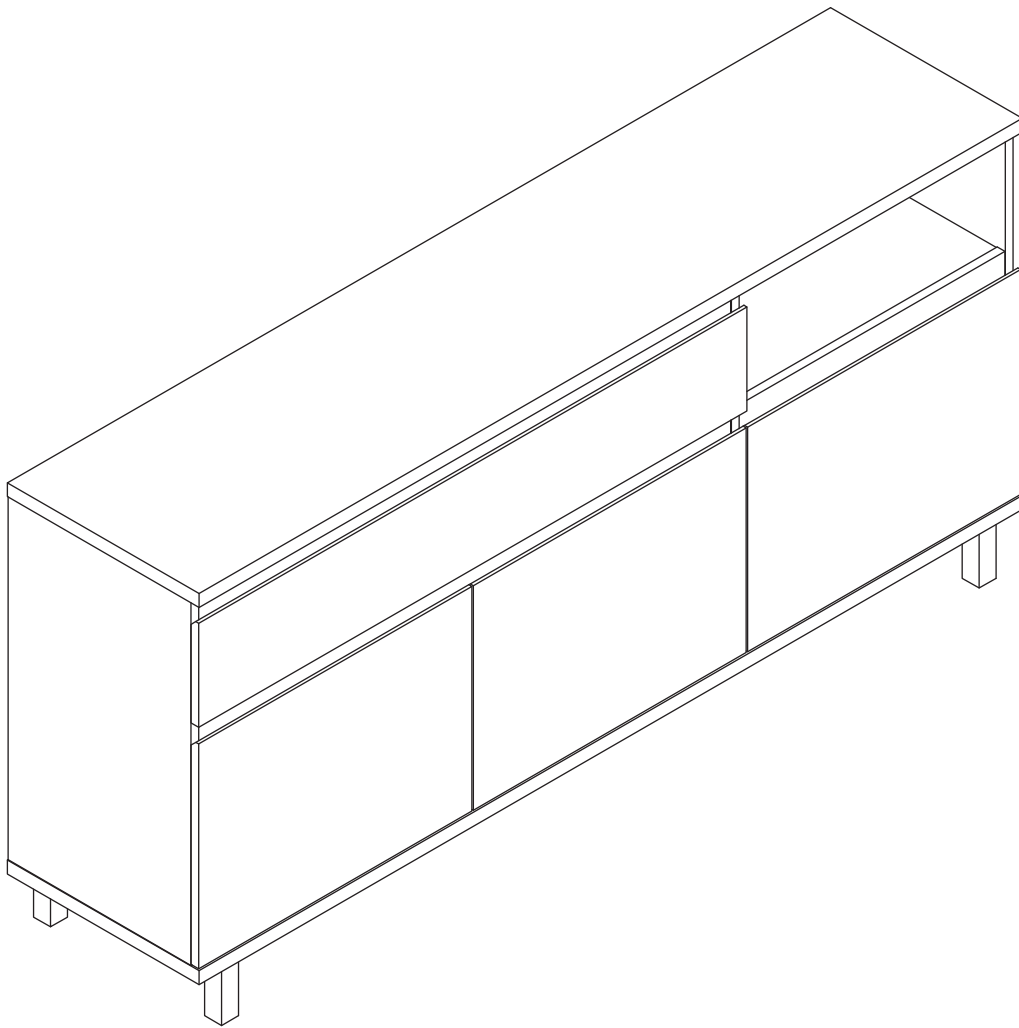


BANAK

ELLINOR

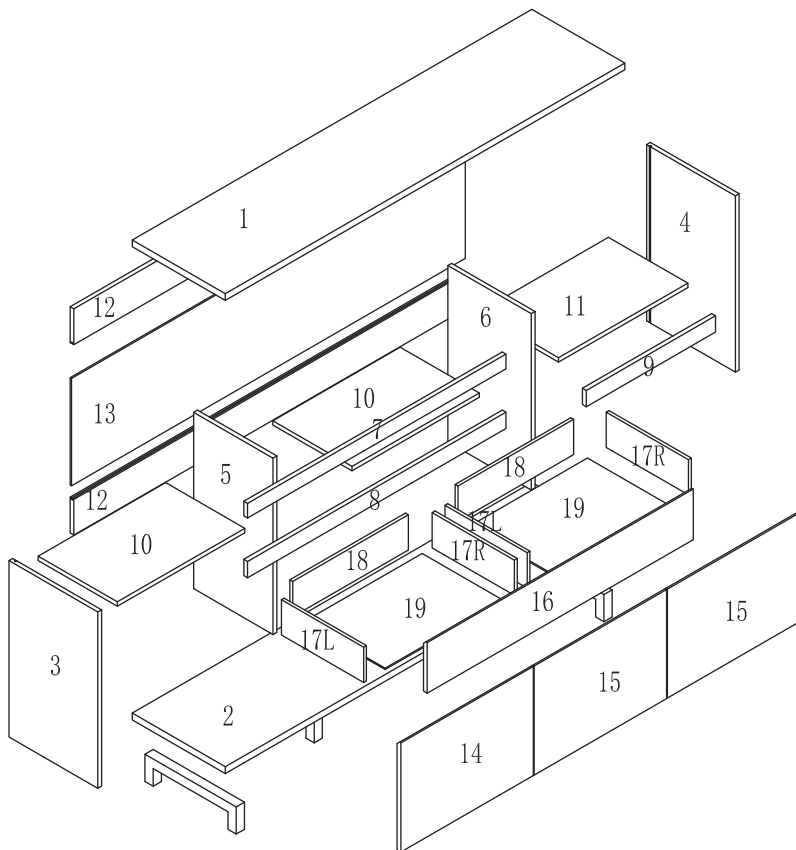
EN-0105BE-R



BANAK

ELLINOR

EN-0105BE-R



1	1700x396x25	x1
2	1700x396x25	x1
3	650x378x16	x1
4	650x378x16	x1
5	650 338 16	x1
6	650x355x16	x1
7	1100x54x16	x1
8	1100x60x16	x1
9	550x60x16	x1
10	542x336x16	x2
11	550x338x16	x1
12	1666 132 16	x2
13	1676x396x5	x1
14	564x402x16	x1
15	564x402x16	x2
16	1132x186x16	x1
17	350x130x12	x4
18	492x130x12	x2
19	502x344x5	x2



A M6x40 42pcs	B Ø15x13.5 42pcs	C Ø8x30 34pcs
D Ø12x10mm 8set	E M4x14 24pcs	F M4x30 8pcs
K 12" 2set	G M6x25 4pcs	L H100 2pcs
M / 6pcs	I M4x14 8pcs	J / 2pcs
P / 2set	Z Ø20 42pcs	O / 2pcs
		H / 8pcs

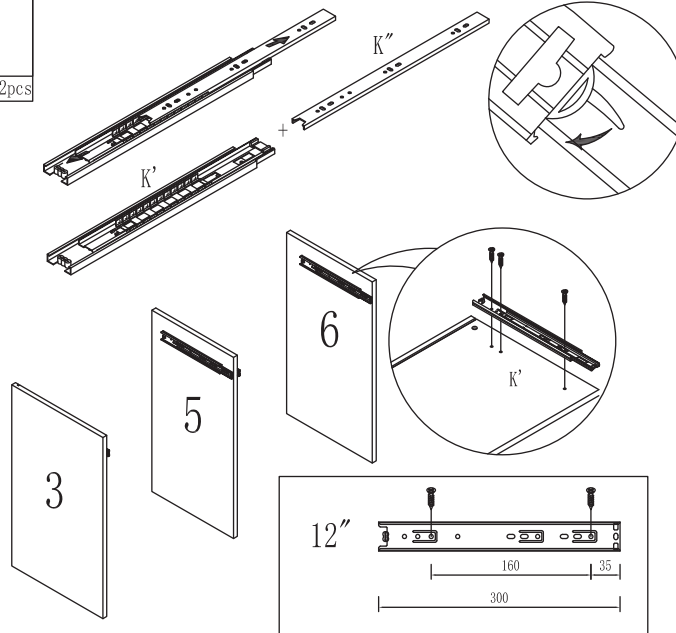
BANAK

ELLINOR



EN-0105BE-R

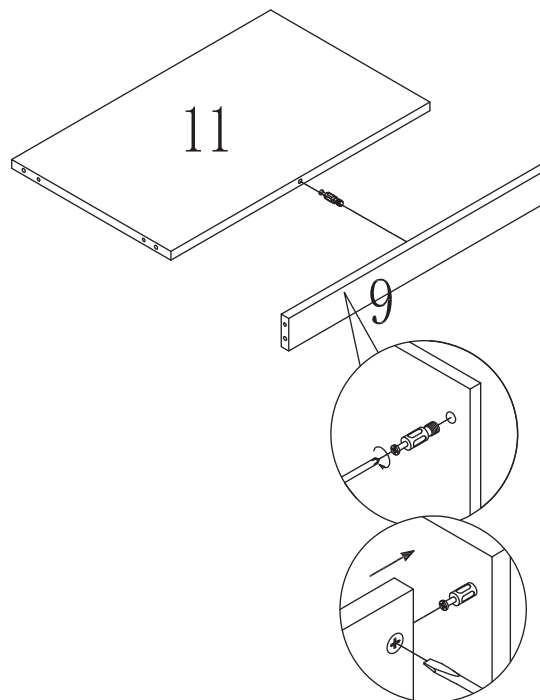
1

	
K 12" 2set	E M4 14 12pcs



2

	
A M6x40 1pcs	B Ø15x13.5 1pcs





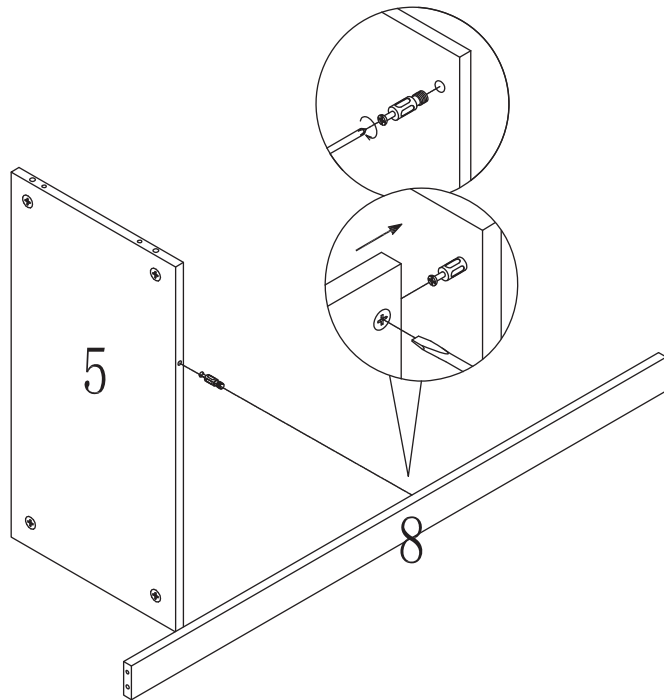
BANAK

ELLINOR


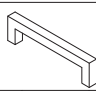

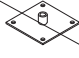

EN-0105BE-R

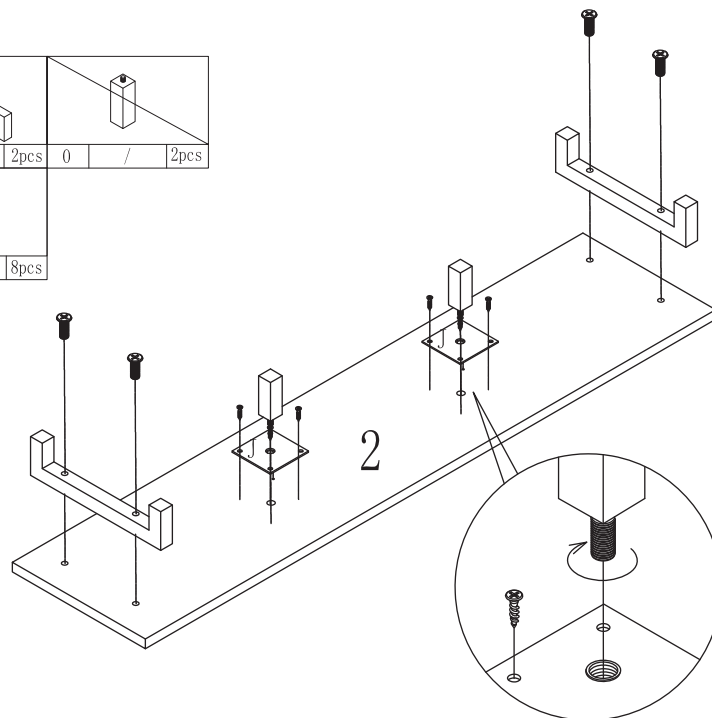
3

					
A	M6x40	1pcs	B	Ø15x13.5	1pcs



4

								
G	M6x25	4pcs	L	H100	2pcs	O	/	2pcs
								
J	/	2pcs	I	M4x14	8pcs			






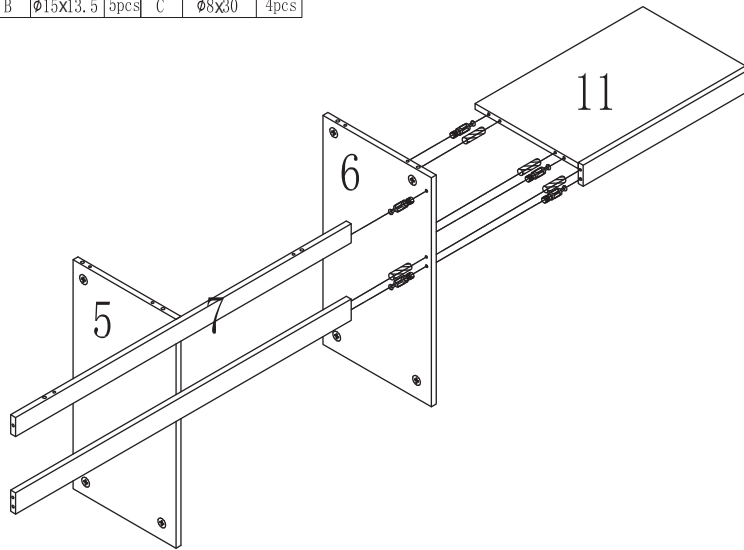
BANAK

ELLINOR




EN-0105BE-R

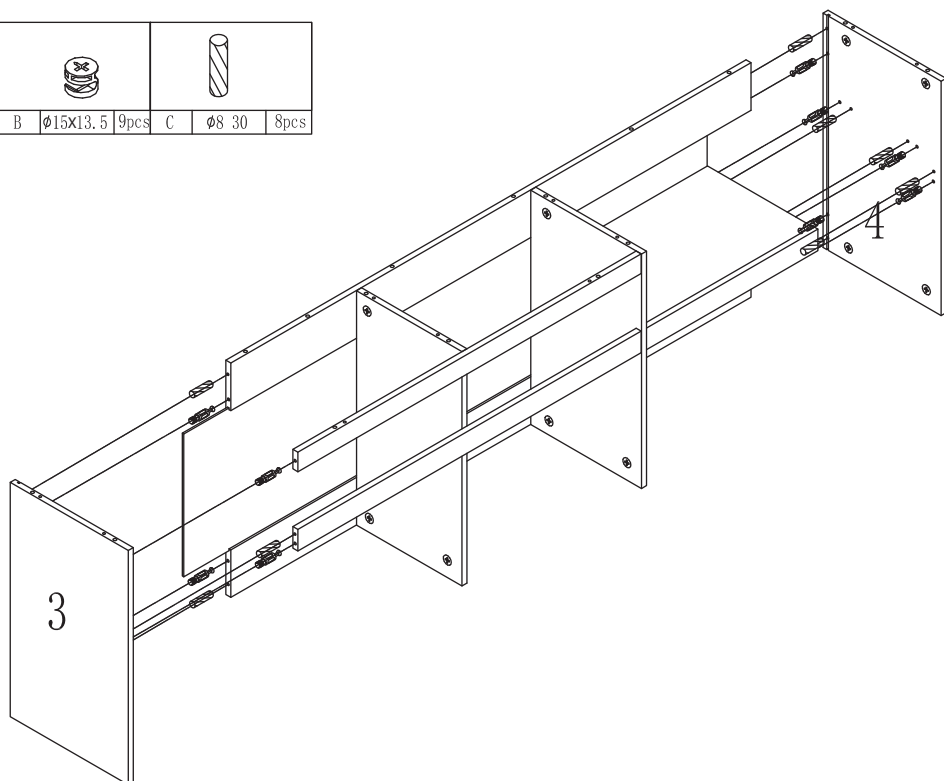
5

		
A	M6x40	5pcs
B	Ø15x13.5	5pcs
C	Ø8x30	4pcs



6

		
A	M6x40	9pcs
B	Ø15x13.5	9pcs
C	Ø8 30	8pcs






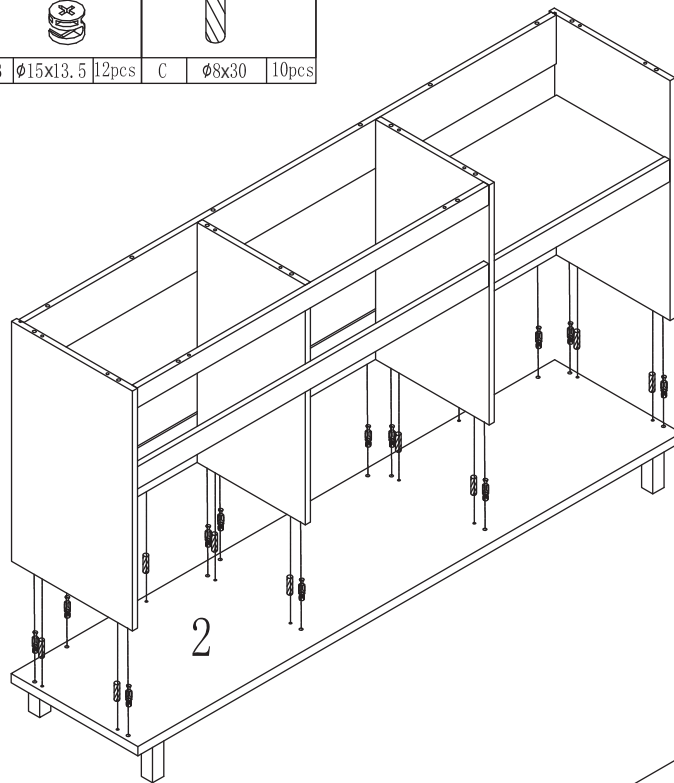
BANAK

ELLINOR




EN-0105BE-R

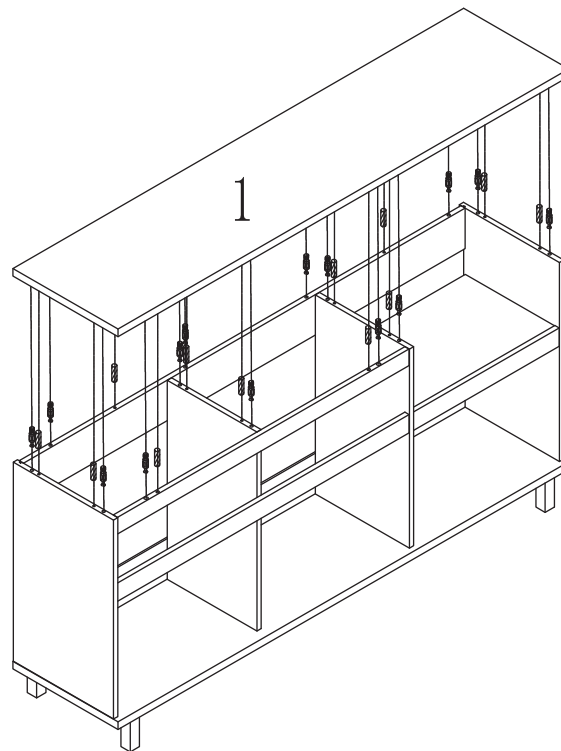
7

		
A	M6x40	12pcs
B	Ø15x13.5	12pcs
C	Ø8x30	10pcs



8

		
A	M6 40	14pcs
B	Ø15x13.5	14pcs
C	Ø8x30	12pcs

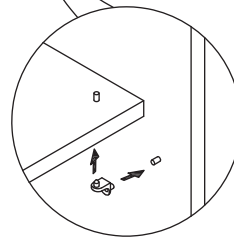
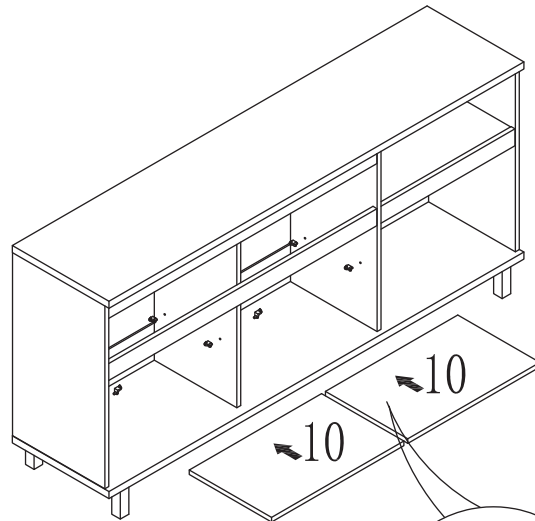
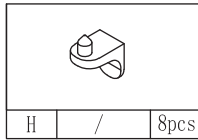


BANAK

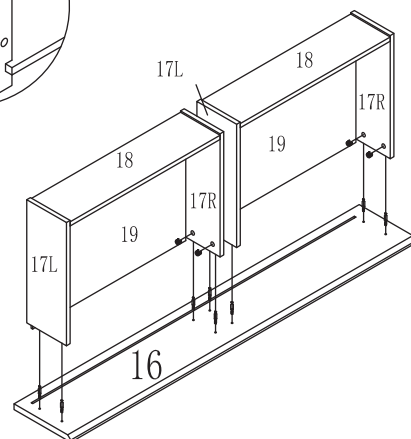
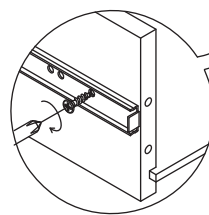
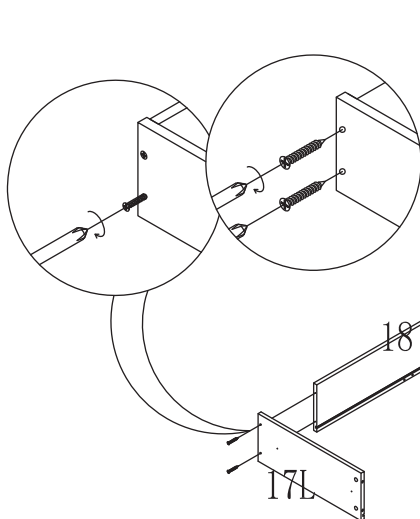
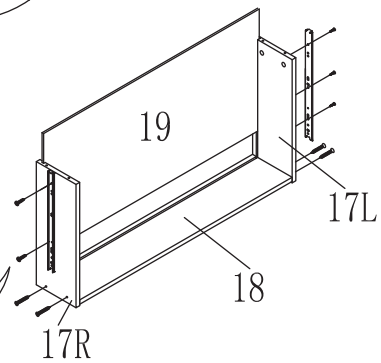
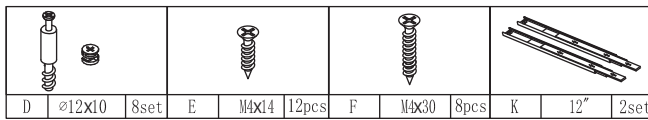
ELLINOR

EN-0105BE-R

9



10

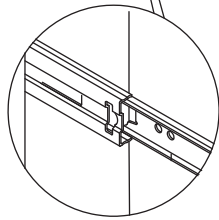
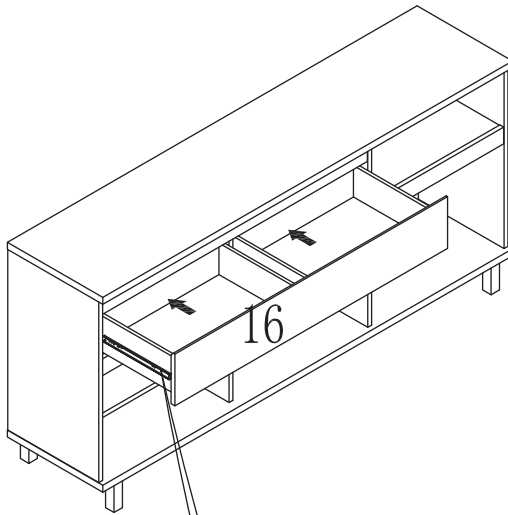


BANAK

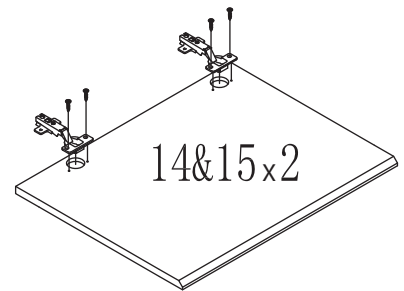
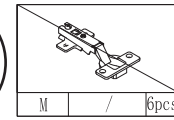
ELLINOR

EN-0105BE-R

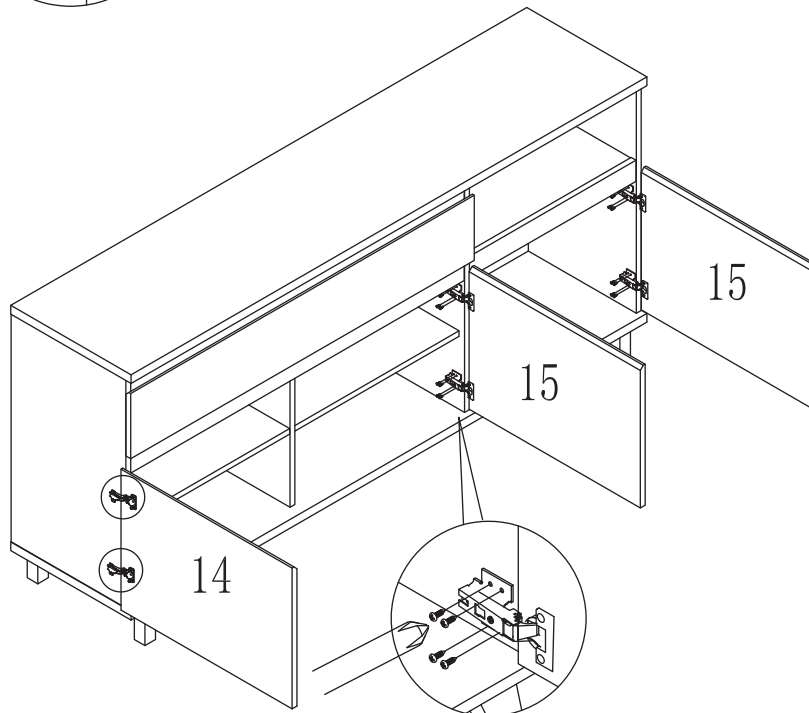
11



12



13

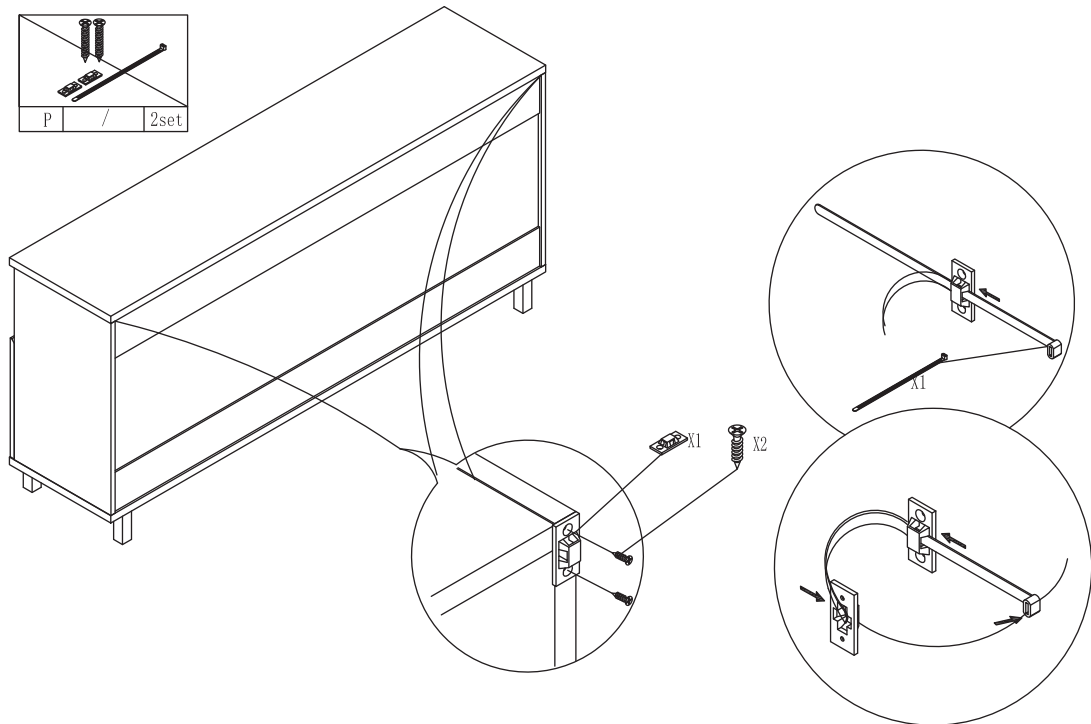
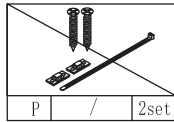


BANAK

ELLINOR

EN-0105BE-R

14



15

