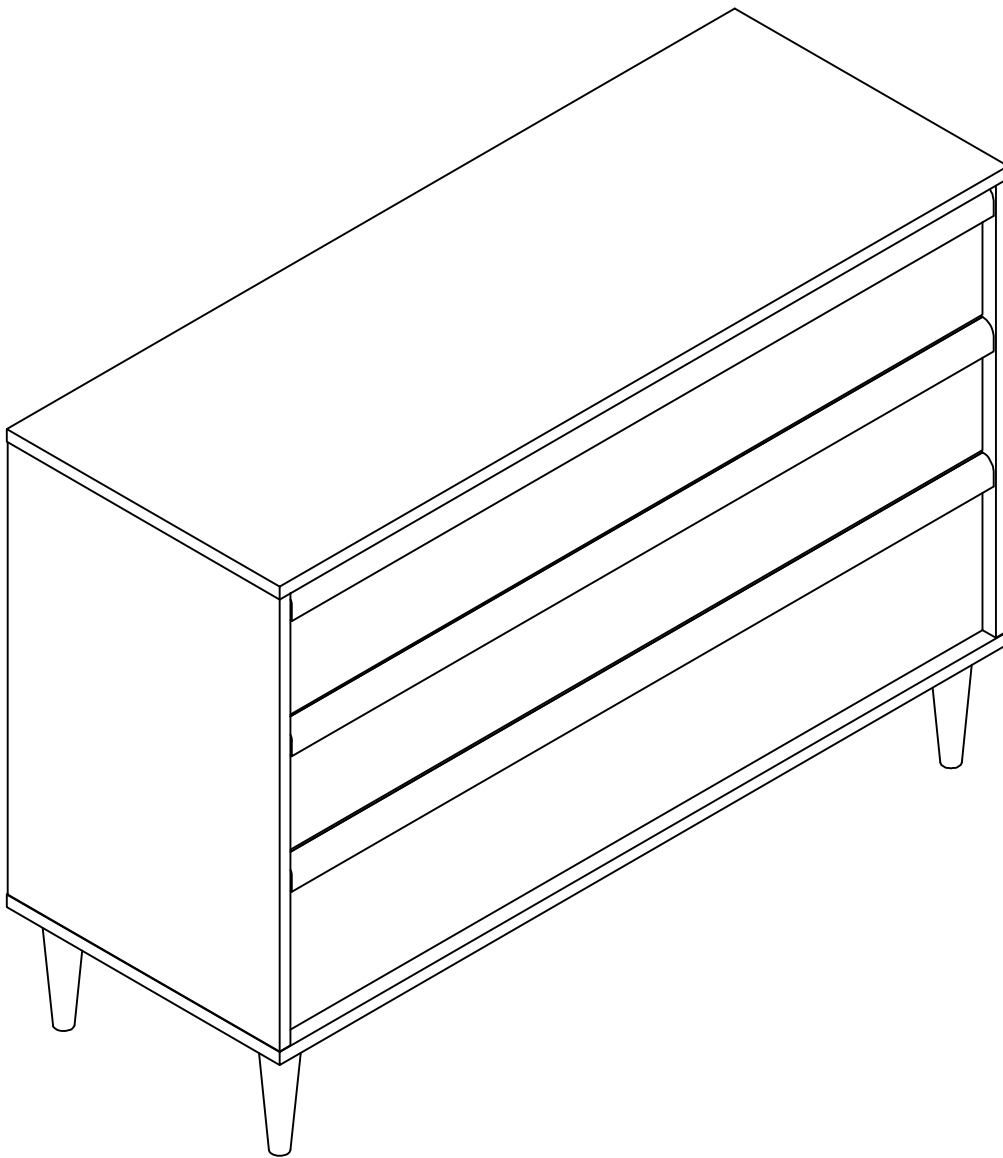


BANAK

MARGOT

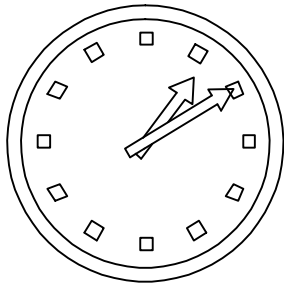
GT-0101BC



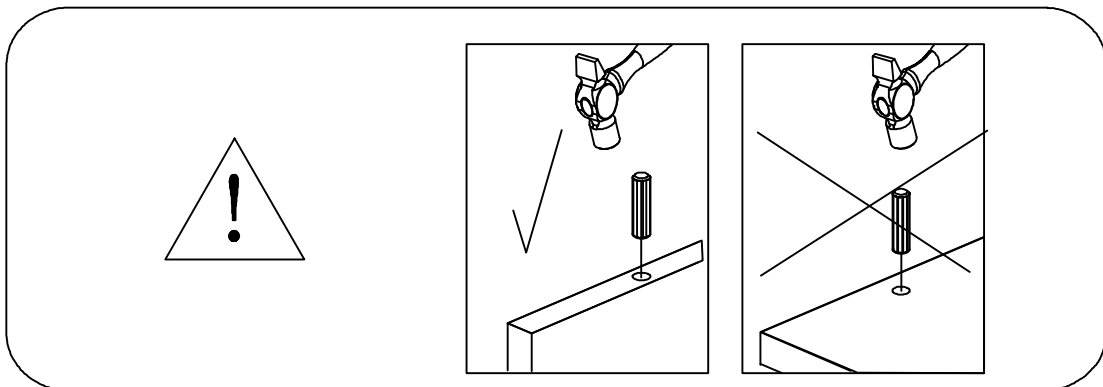
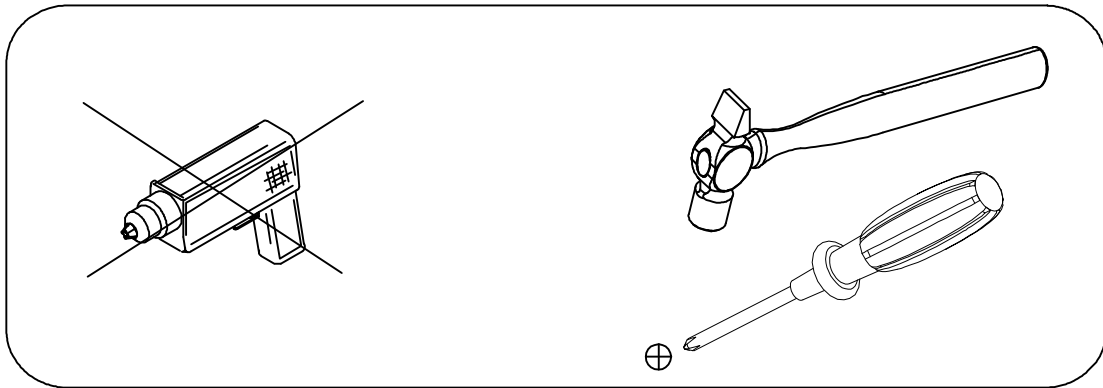
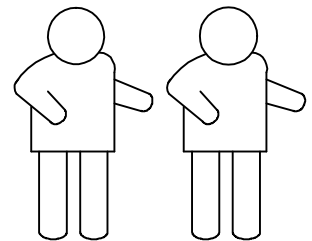
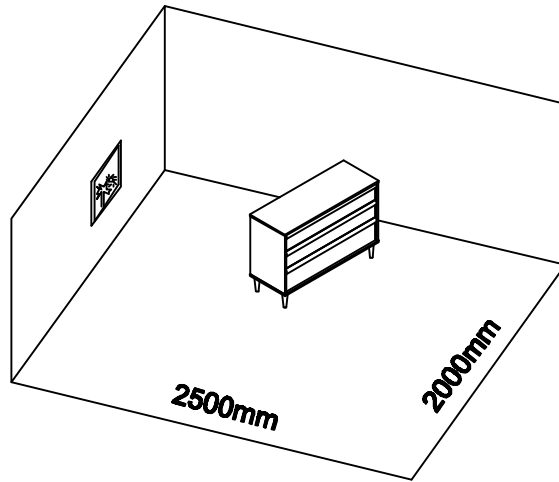
BANAK

MARGOT

GT-0101BC



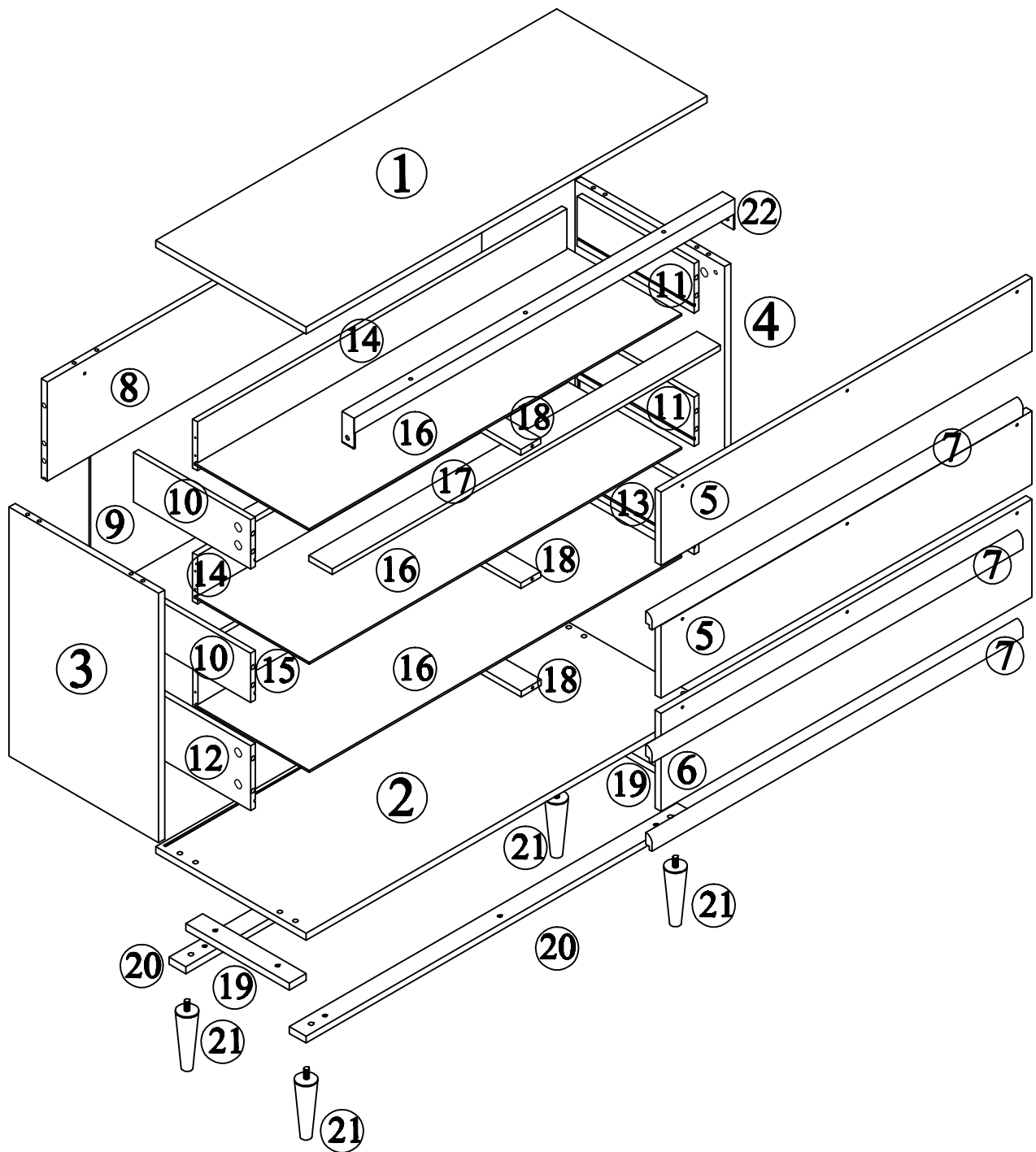
70min



BANAK

MARGOT

GT-0101BC

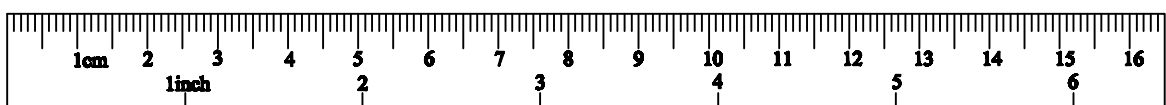


BANAK

MARGOT

GT-0101BC

		GT-0101BC
1	1	1200 X 450X 18 MM
2	1	1200 X 450X 18 MM
3	1	448 X 646 X 18 MM
4	1	448X 646 X 18 MM
5	2	1156 X190 X 18 MM
6	1	1156 X 254 X 18 MM
7	3	1156 X 40 X 18 MM
8	1	1162 X 257 X 15 MM
9	1	1115 X 343 X 5 MM
10	2	350 X 128 X 15 MM
11	2	350 X 128 X 15 MM
12	1	350 X 168 X 15 MM
13	1	350 X 168 X 15 MM
14	2	1106X 126 X 15MM
15	1	1106 X 165 X 15MM
16	3	1115 X 343 X 5MM
17	1	1162 X 70 X 15MM
18	3	333 X 60 X 15MM
19	2	302X 53 X 18MM
20	2	1159 X 53 X 18MM
21	4	Ø50 X 150MM
22	1	1162 X 50 X 25MM

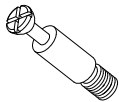
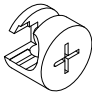
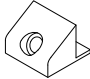


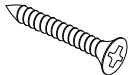


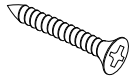

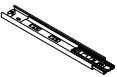





BANAK

MARGOT

GT-0101BC



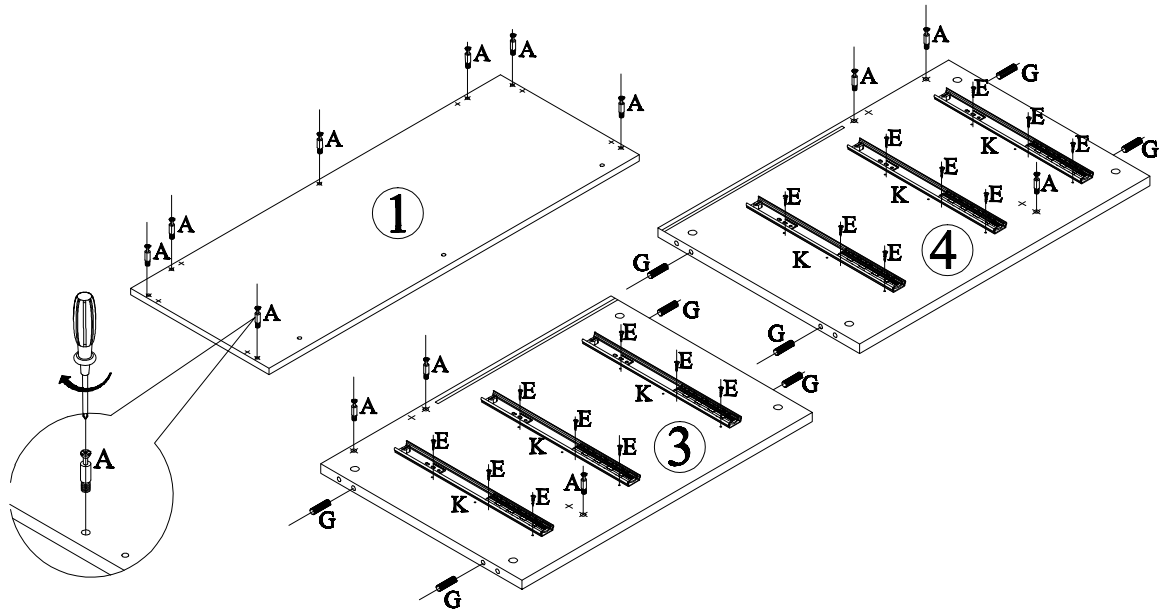
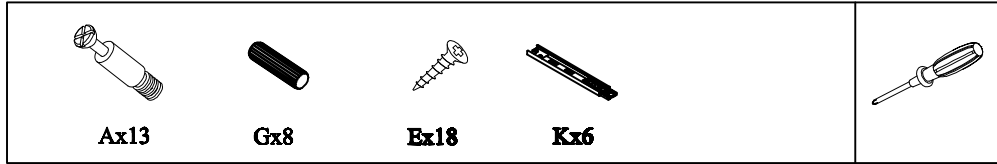
 L=35 Ax32	 Ø15 Bx32	 Cx6	 Ø3x18 Dx6	 Ø3.5x12 Ex36
 Ø3.5x30 Fx18	 Ø8x30 Gx14	 M4x30 Hx9	 Ø4x30 Ix12	 Ø20x5 Jx4
 L=300 Kx6	 L=300 Lx6	 M6x35 Mx3	 M6x15 Nx2	

BANAK

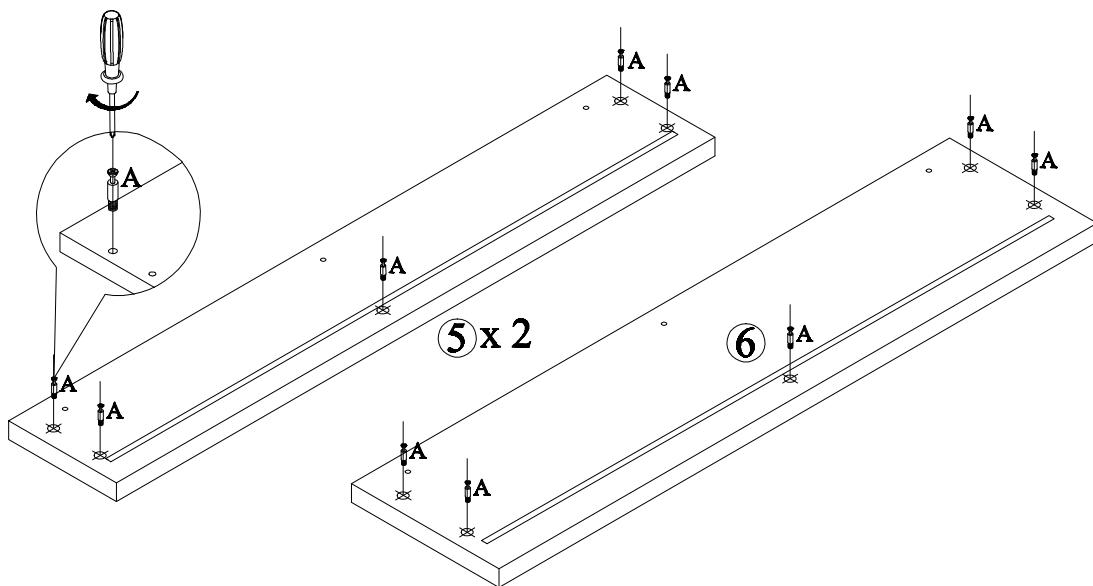
MARGOT

GT-0101BC

1



2



BANAK

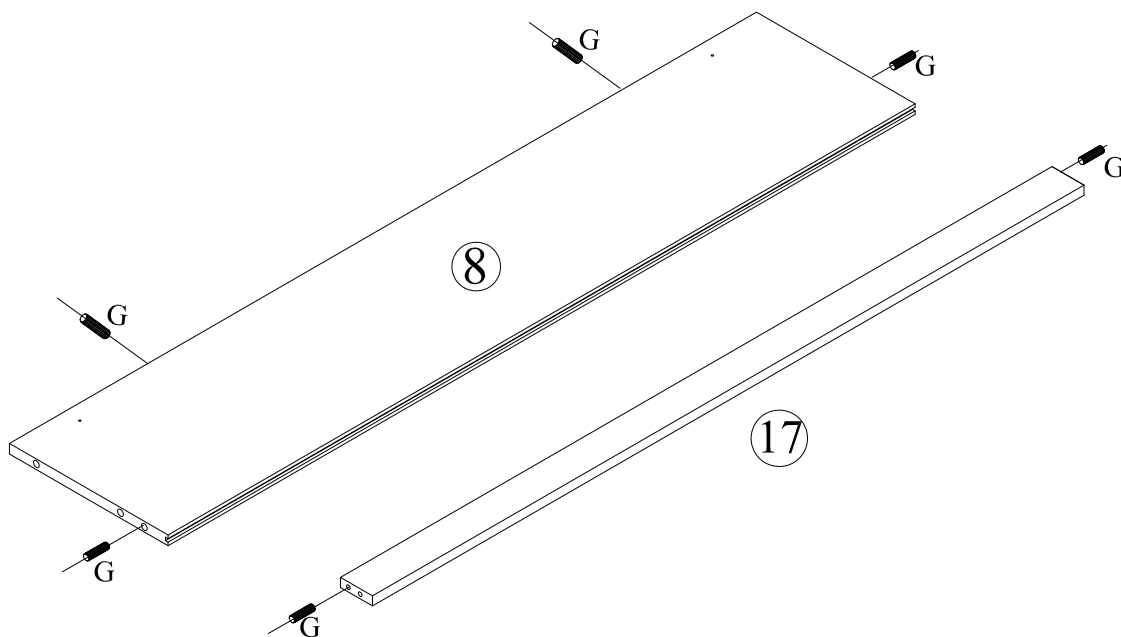
MARGOT

GT-0101BC

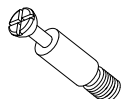
3



Gx6



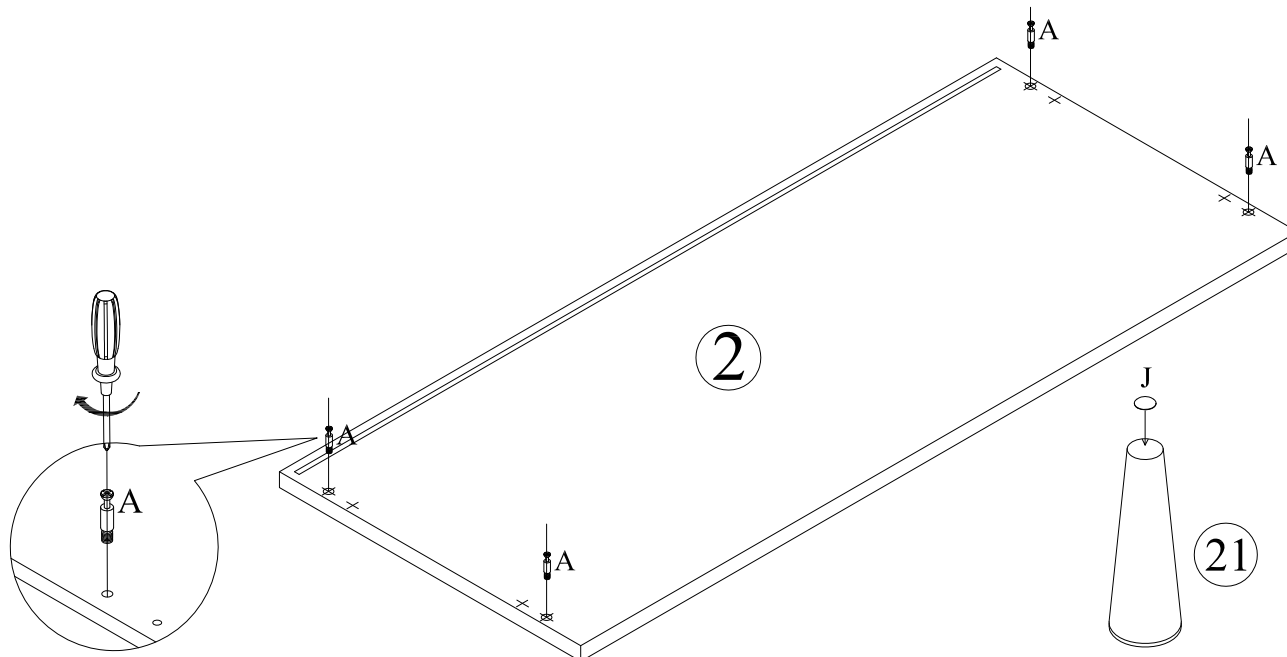
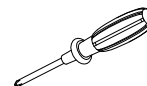
4



Ax4



Jx4

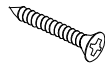


BANAK

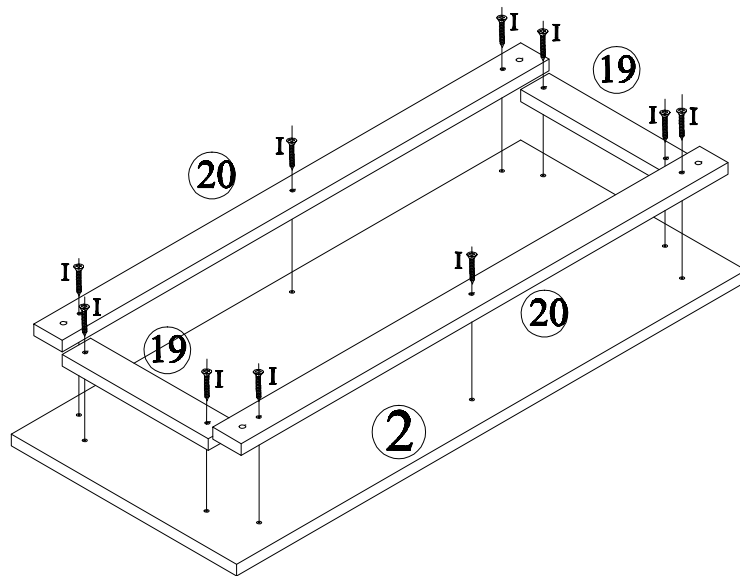
MARGOT

GT-0101BC

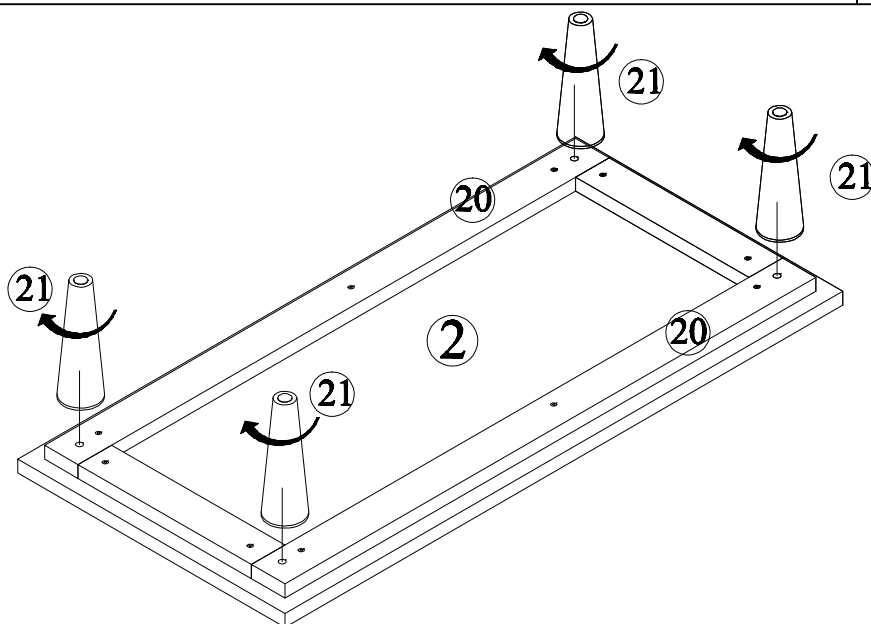
5



1x10



6



BANAK

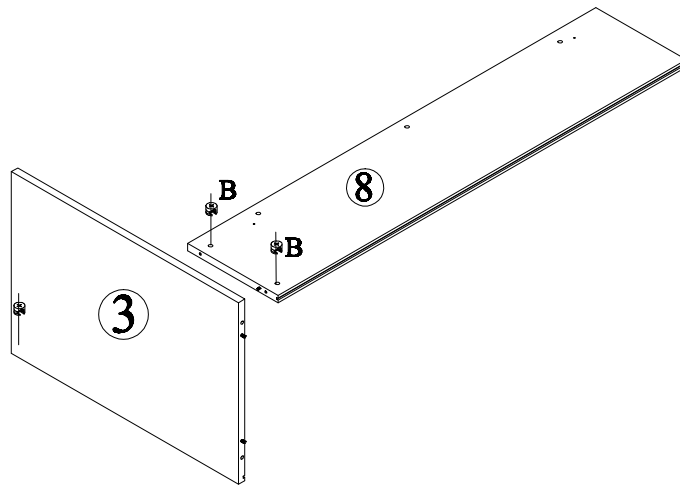
MARGOT

GT-0101BC

7



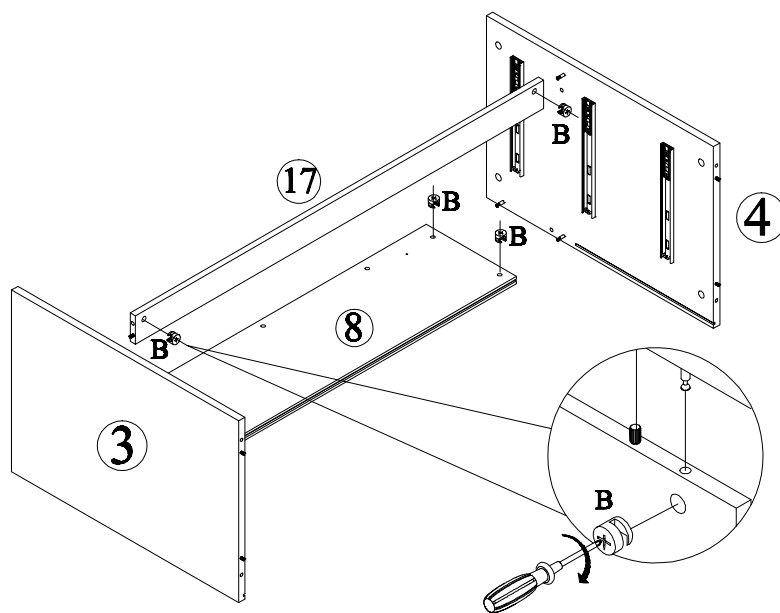
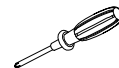
Bx2



8



Bx4



BANAK

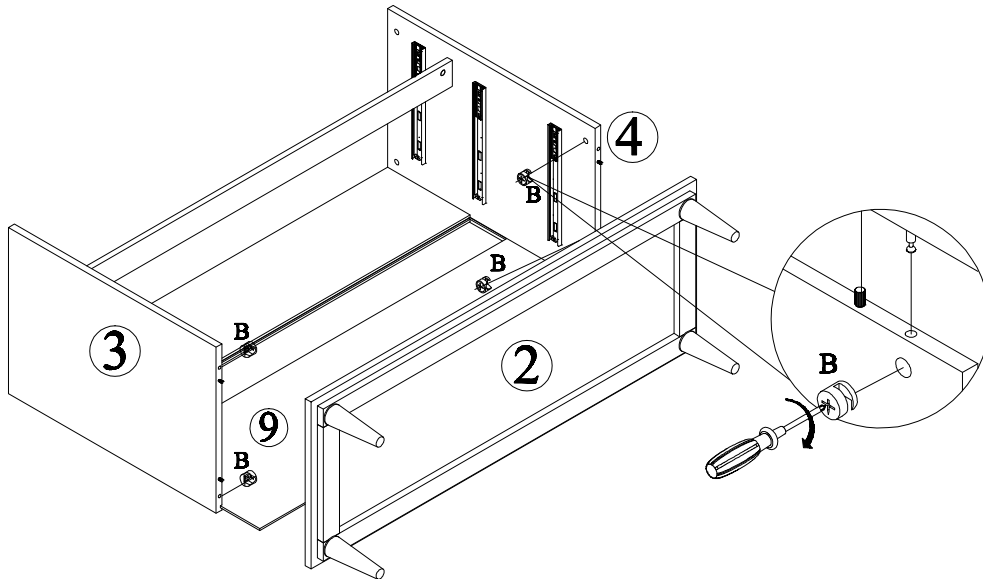
MARGOT

GT-0101BC

9



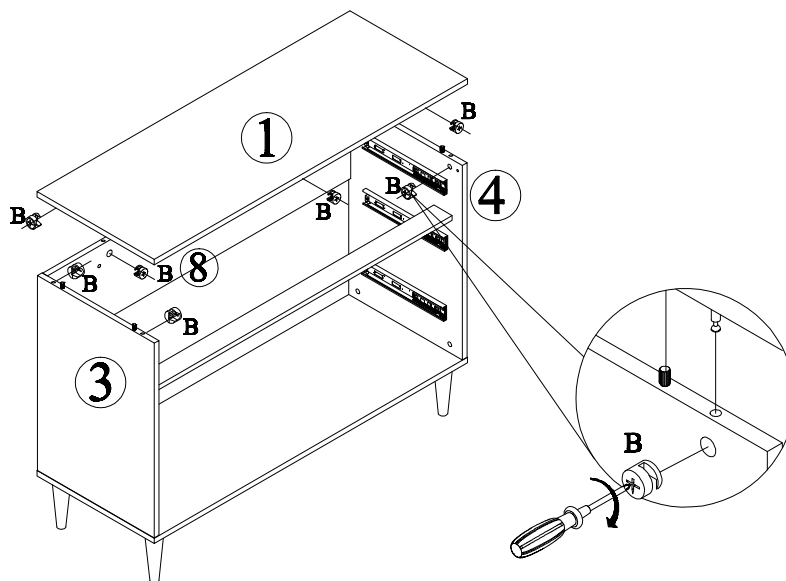
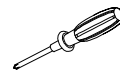
Bx4



10



Bx7



BANAK

MARGOT

GT-0101BC

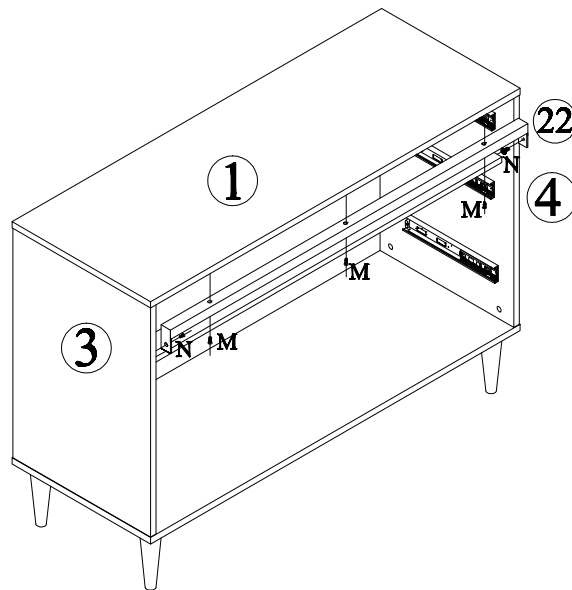
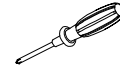
11



Mx3



Nx2



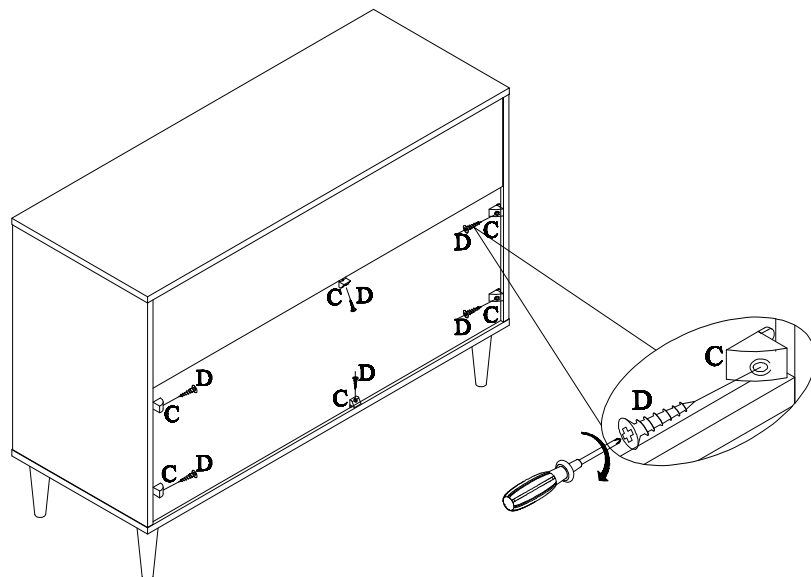
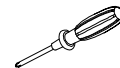
12



Cx6



Dx6

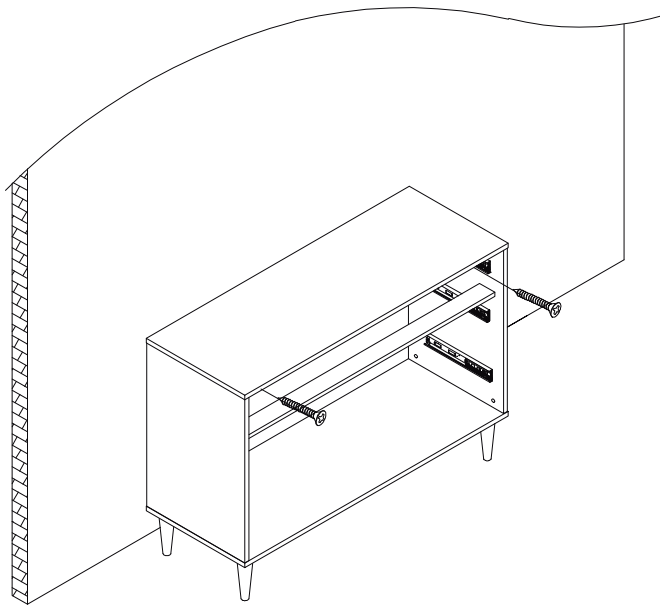


BANAK

MARGOT

GT-0101BC

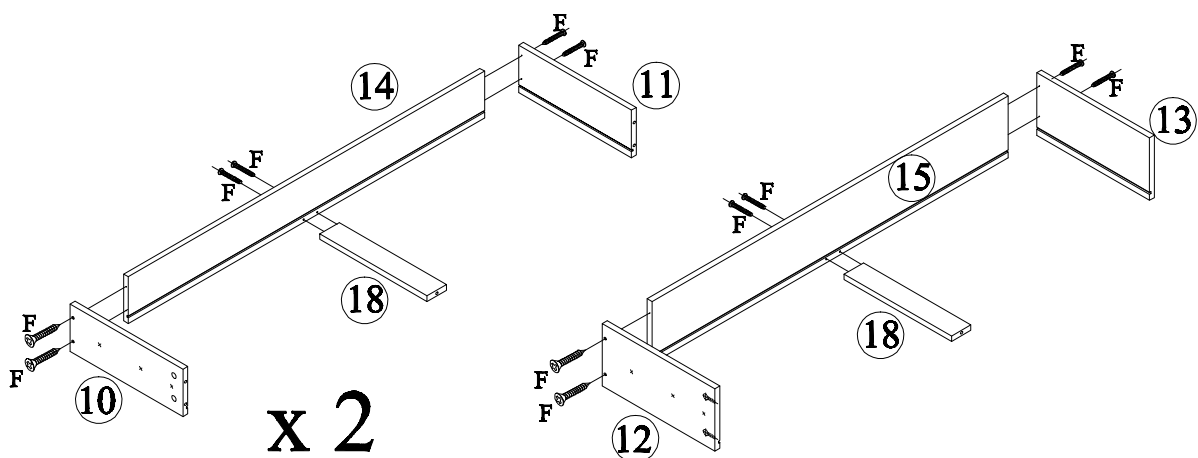
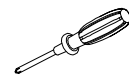
13



14



Fx18



BANAK

MARGOT

GT-0101BC

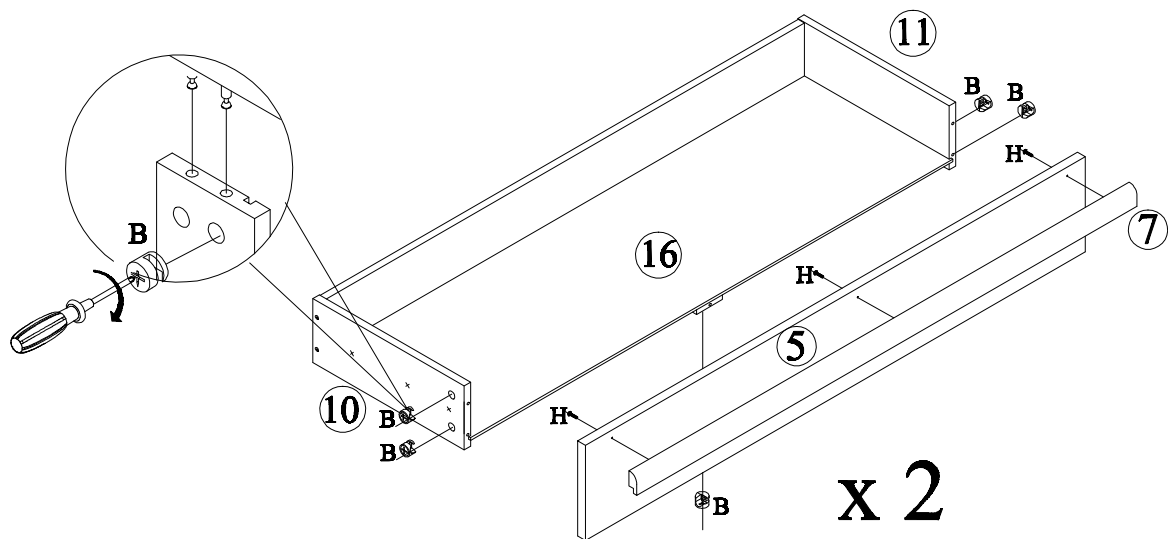
15



Bx10



Hx6



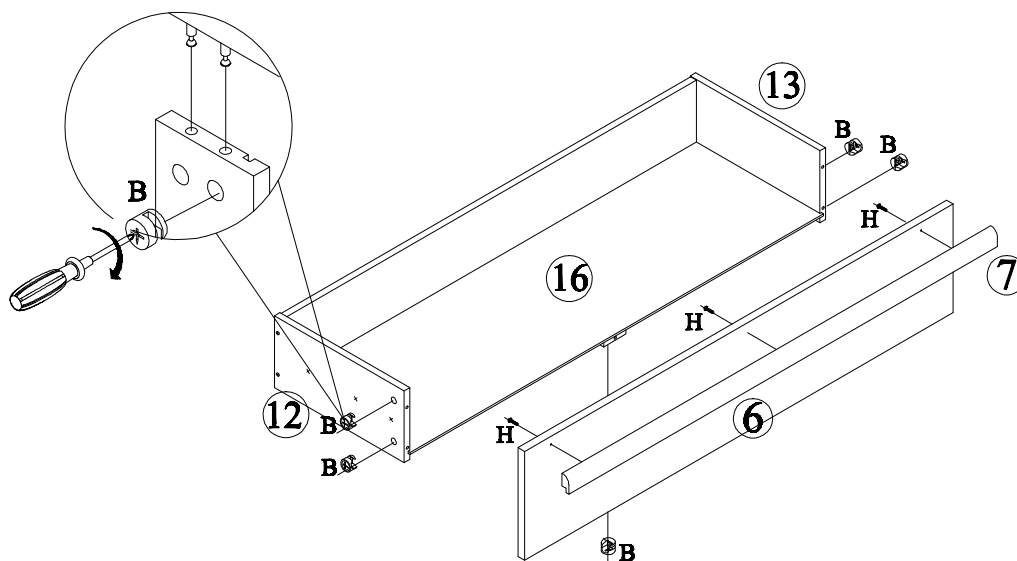
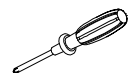
16



Bx5



Hx3



BANAK

MARGOT

GT-0101BC

17

