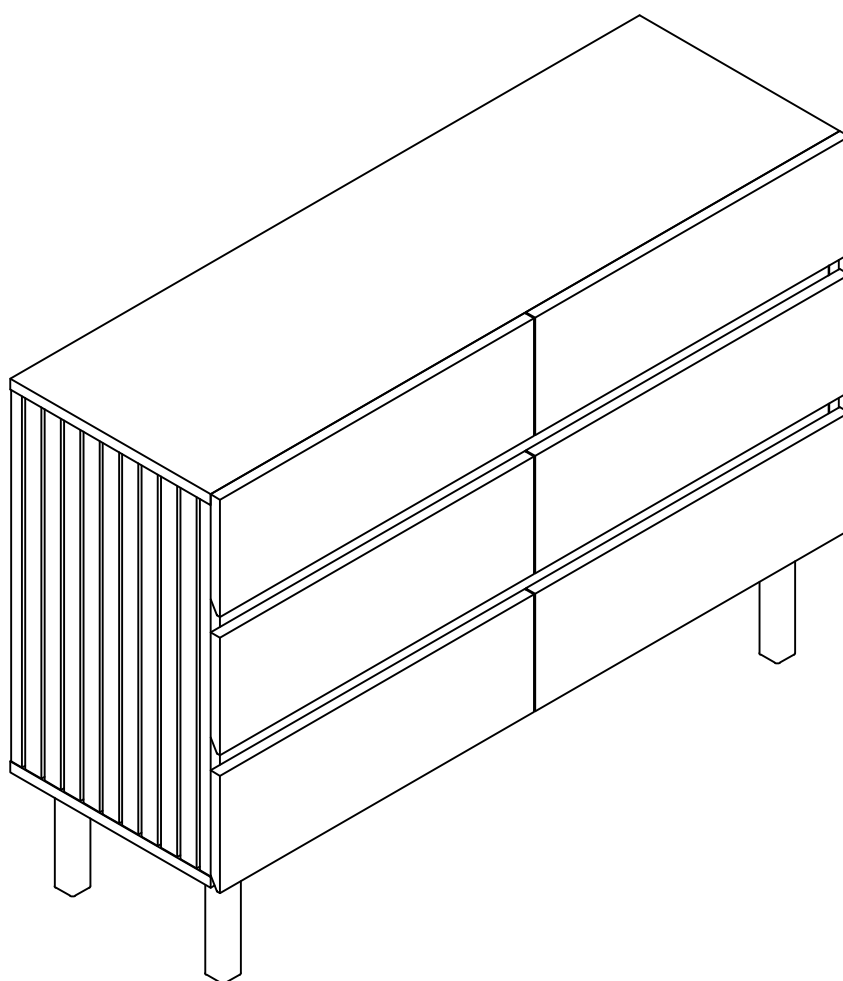


BANAK

HAIKU

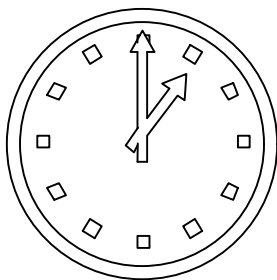
HK-0101R



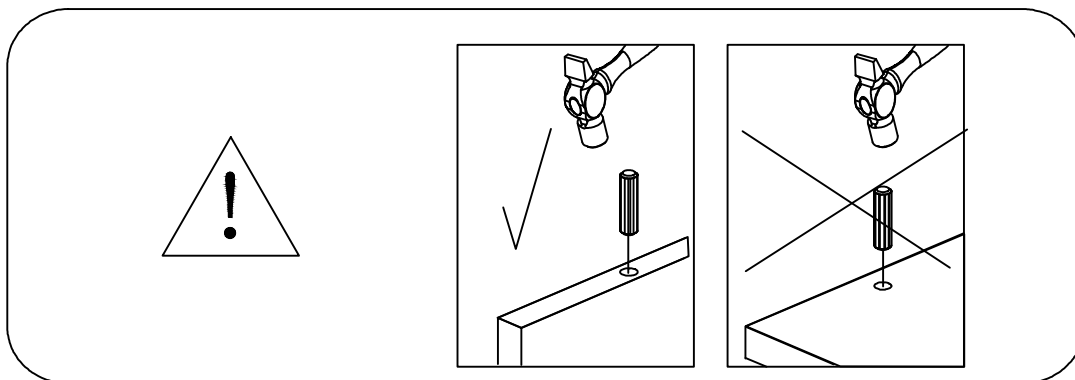
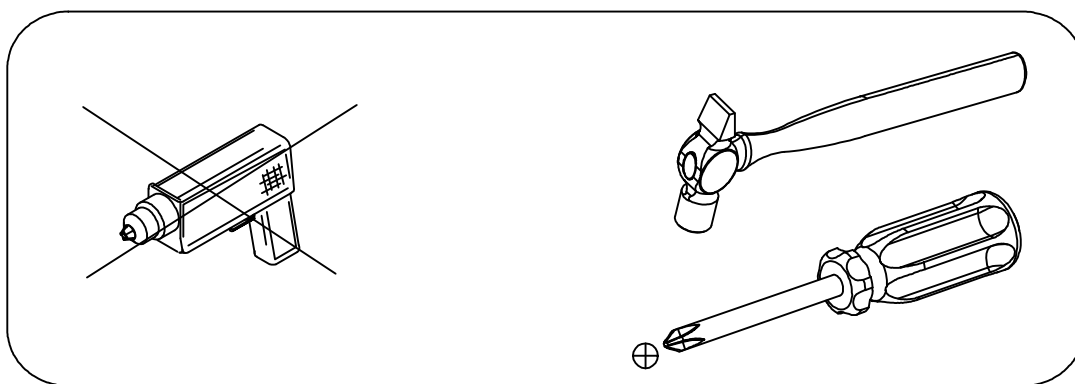
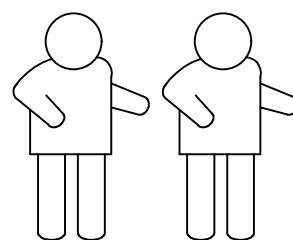
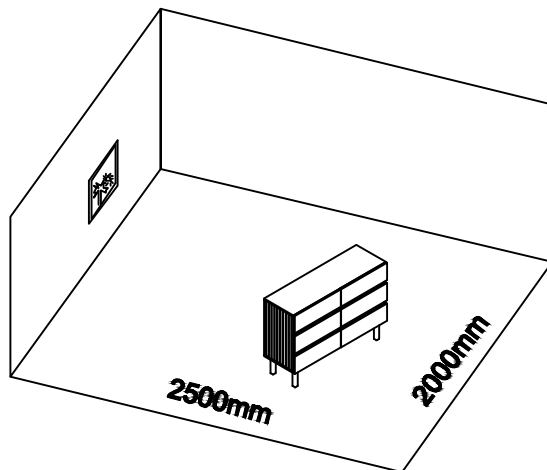
BANAK

HAIKU

HK-0101R



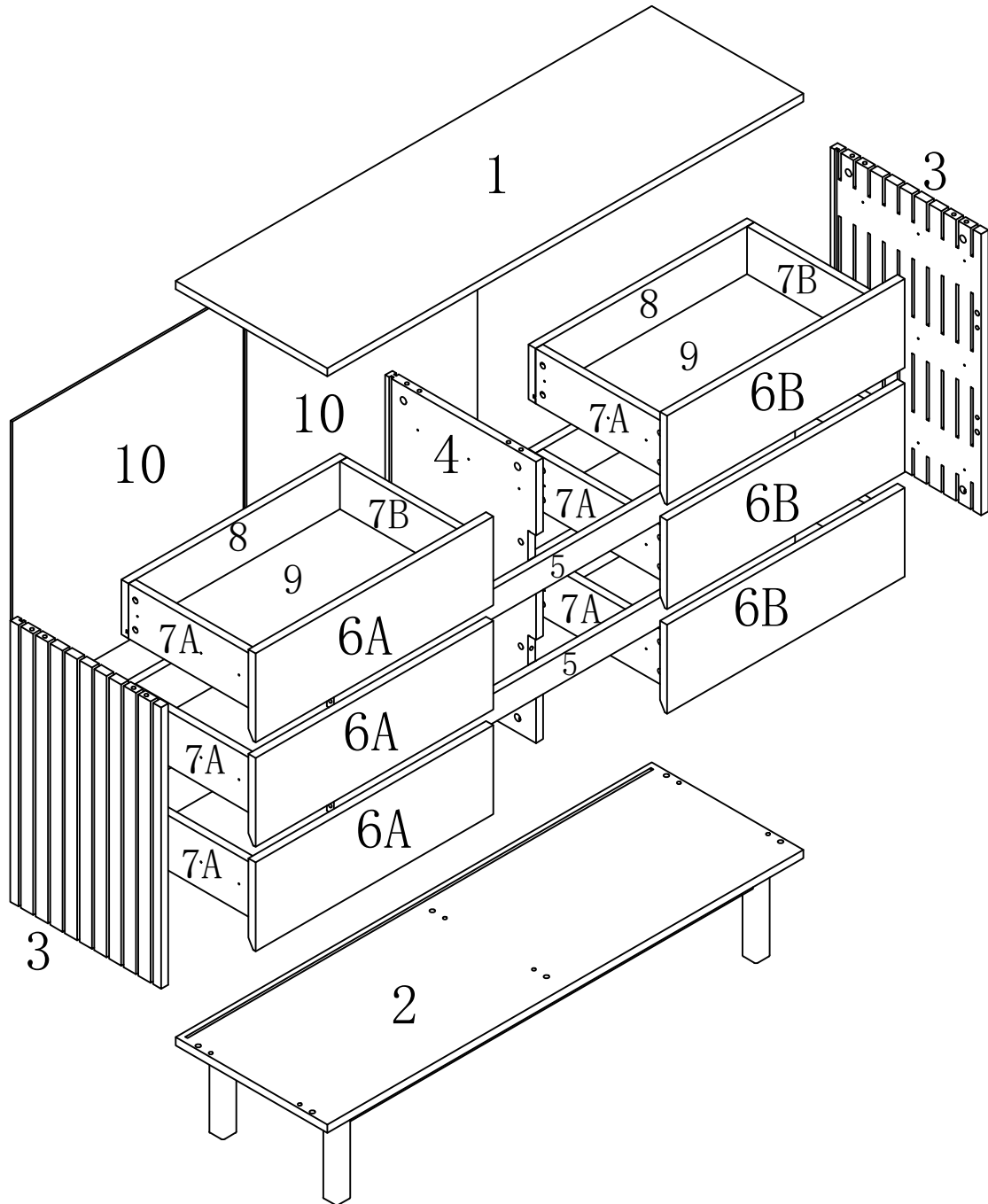
60 min



BANAK

HAIKU

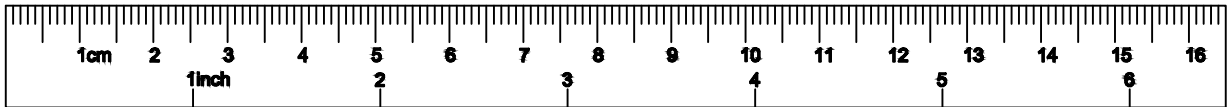
HK-0101R



BANAK

HAIKU

HK-0101R

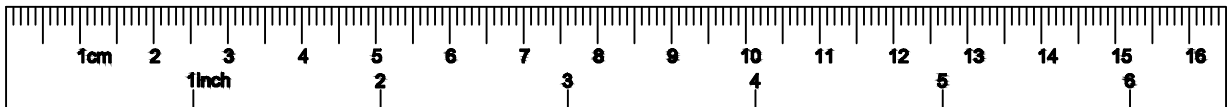






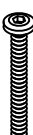


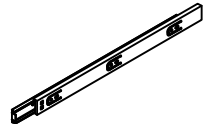




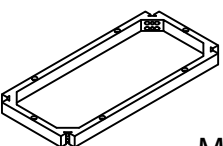

1	1	1200*382*18MM
2	1	1200*382*18MM
3	2	614*380*18MM
4	1	614*380*18MM
5	2	1162*64*18MM
6A	3	599*194*18MM
6B	3	599*194*18MM
7A	6	332*120*18MM
7B	6	332*120*18MM
8	6	551*120*18MM
9	6	525*342*5MM
10	2	624*582*5MM

BANAK

HAIKU

HK-0101R



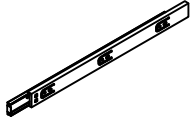
 $\varnothing 15 \times 12$ AX16	 $M6 \times 35$ BX16	 $\varnothing 8 \times 40$ CX16	 $M3.5 \times 15$ DX80
 $M6 \times 45$ EX6	 $M6 \times 50$ FX8	 $GX14$	 $350MM$ HX12
 $\varnothing 12 \times 12$ IX50	 $M6 \times 24$ JX50	 $KX1$	 $LX8$
 $MX1$	 $NX4$		

BANAK

HAIKU

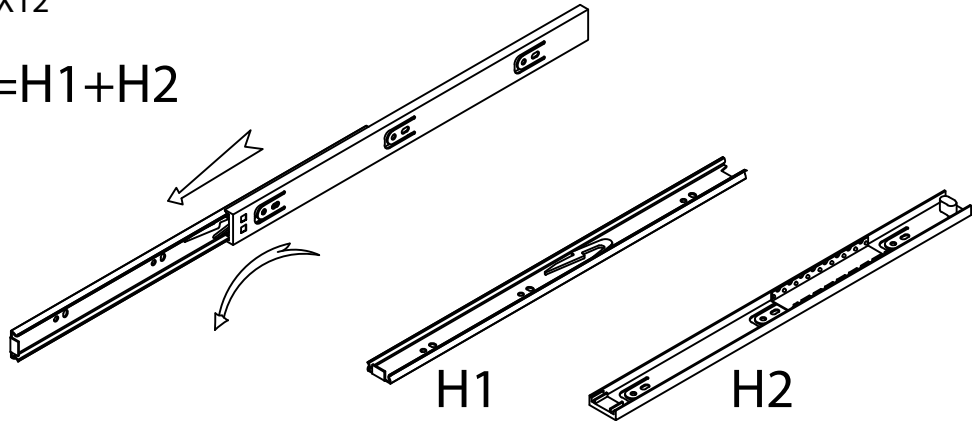
HK-0101R

1

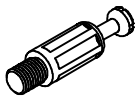


HX12

$$H = H1 + H2$$



2



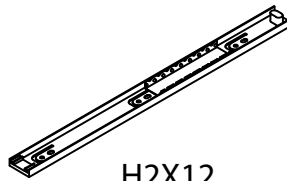
BX4



CX16



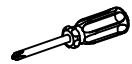
DX36



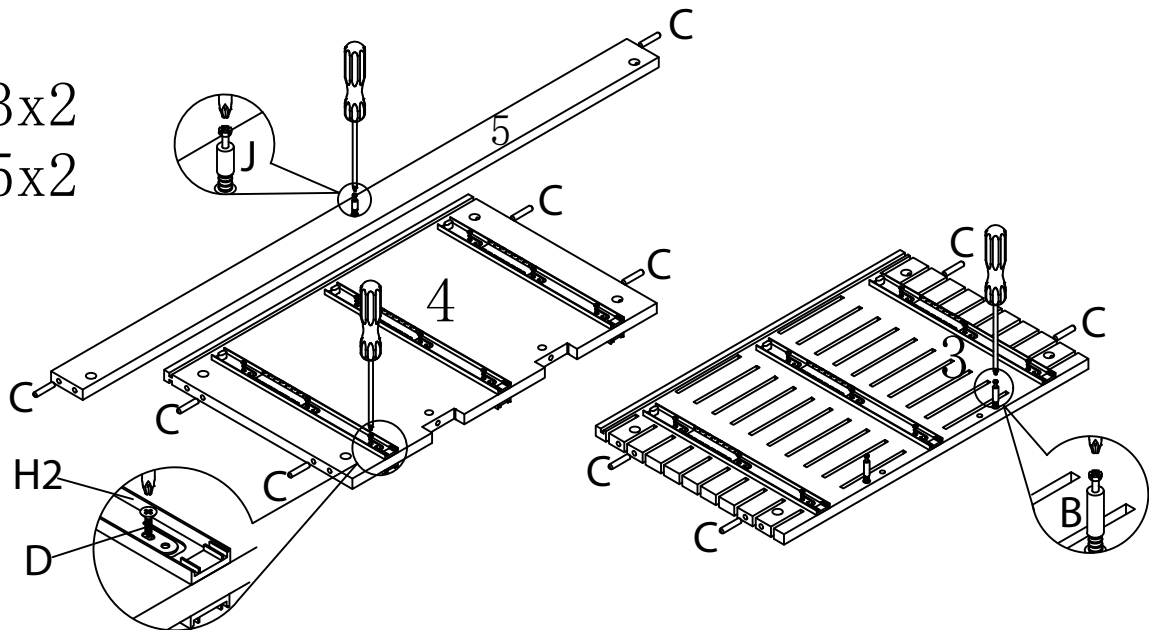
H2X12



JX2



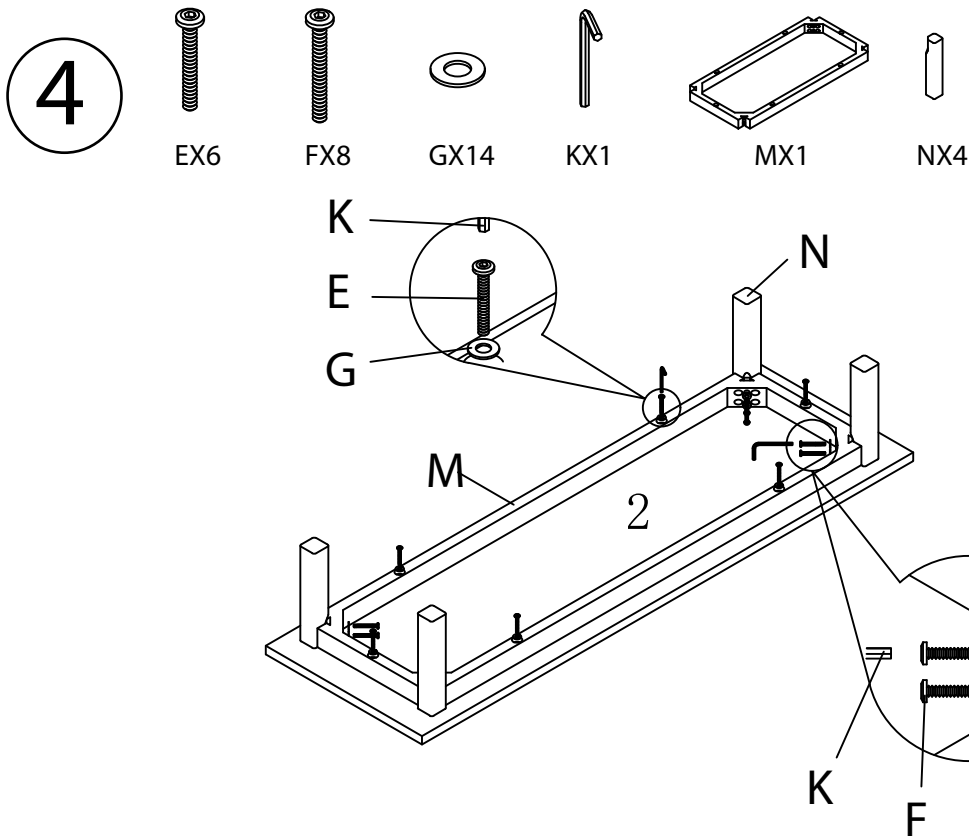
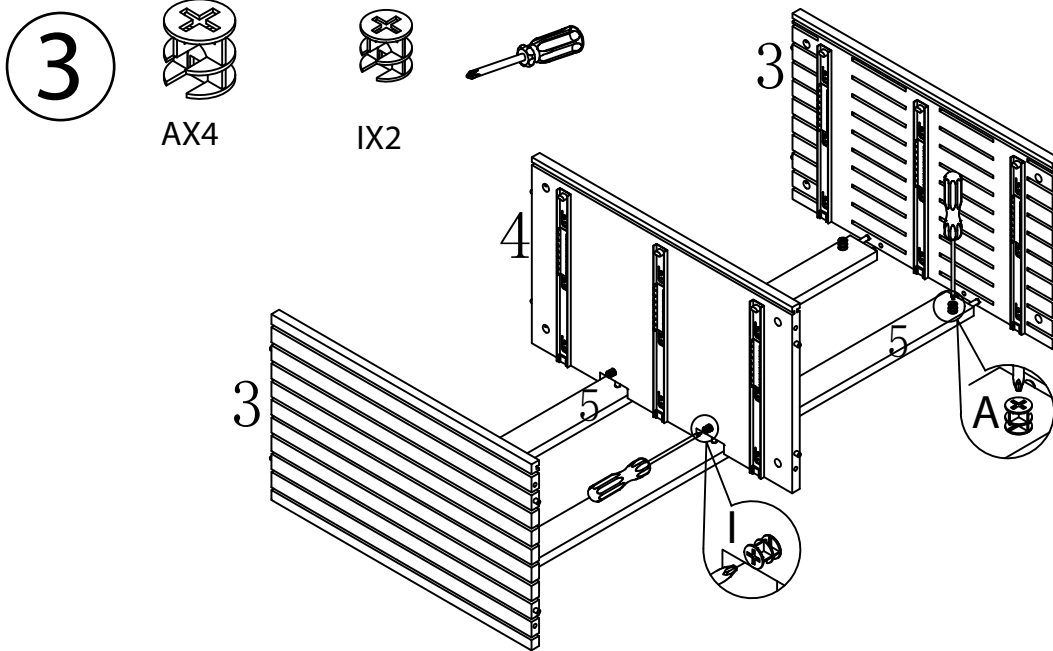
3x2
5x2



BANAK

HAIKU

HK-0101R

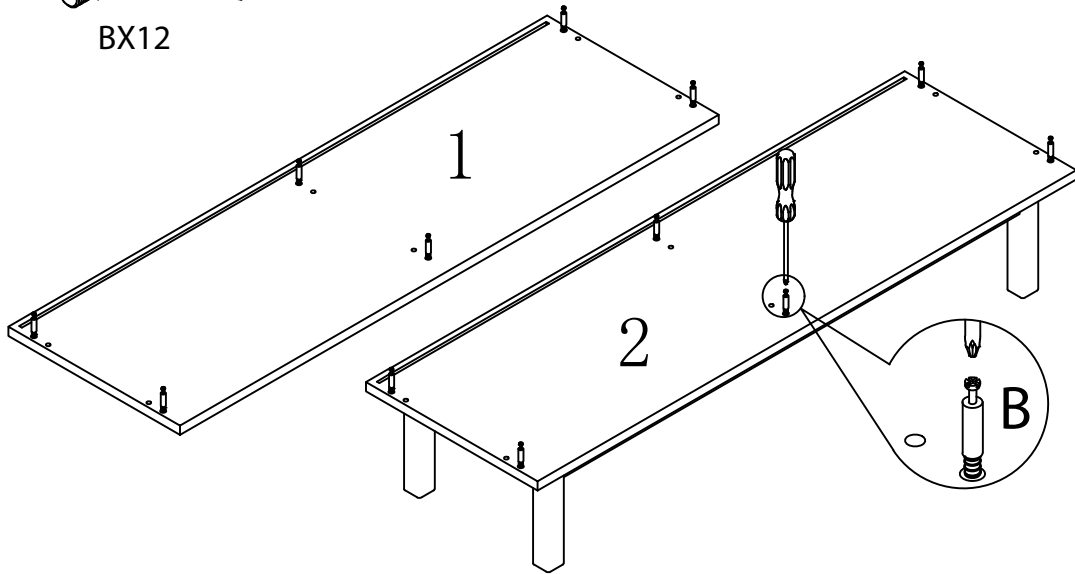
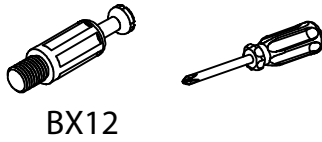


BANAK

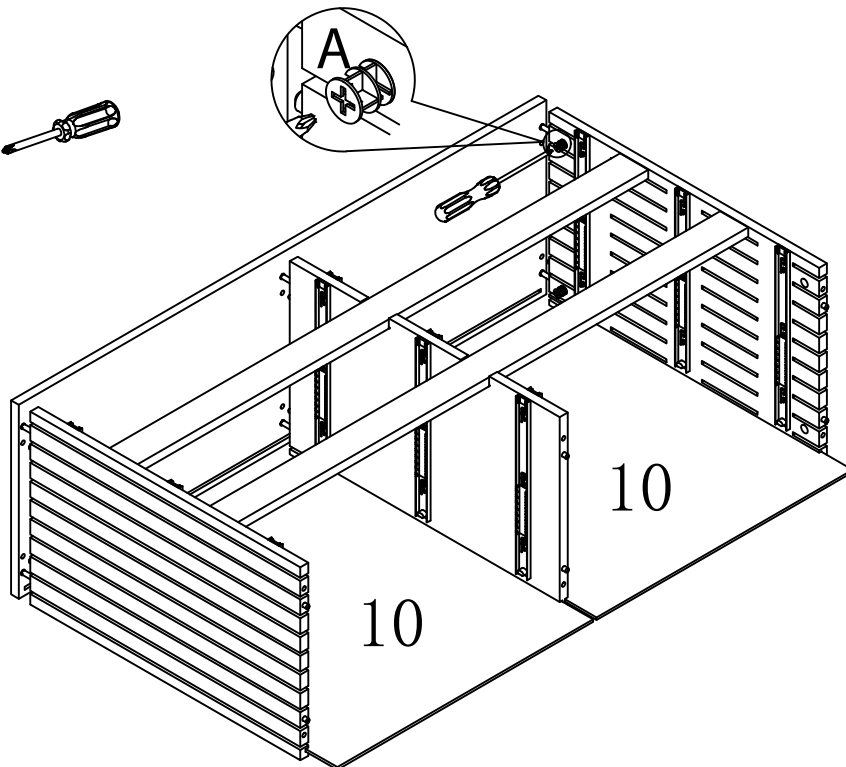
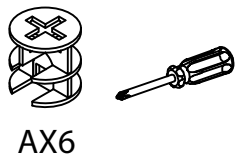
HAIKU

HK-0101R

5



6



BANAK

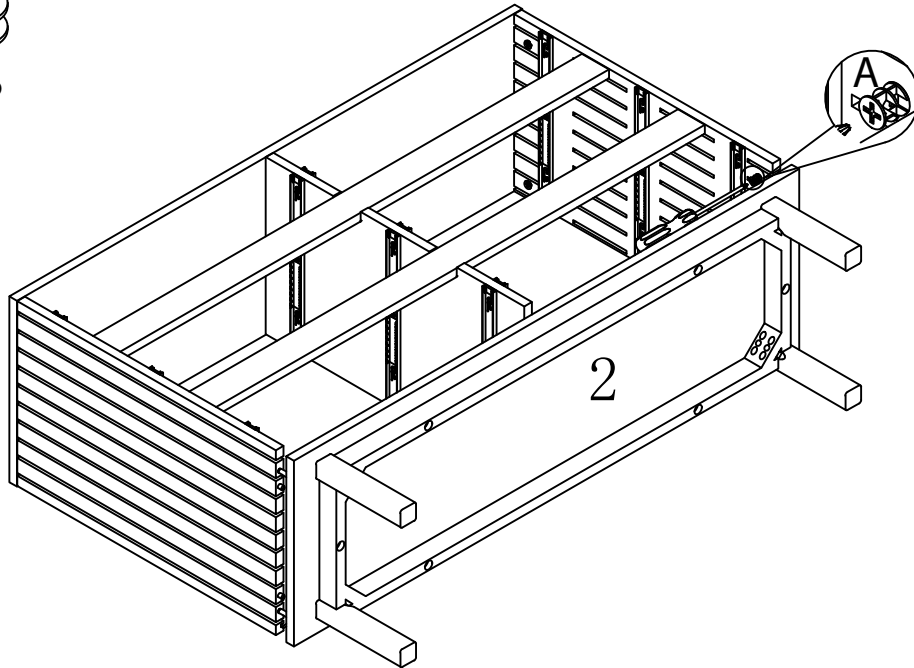
HAIKU

HK-0101R

7



AX6



8



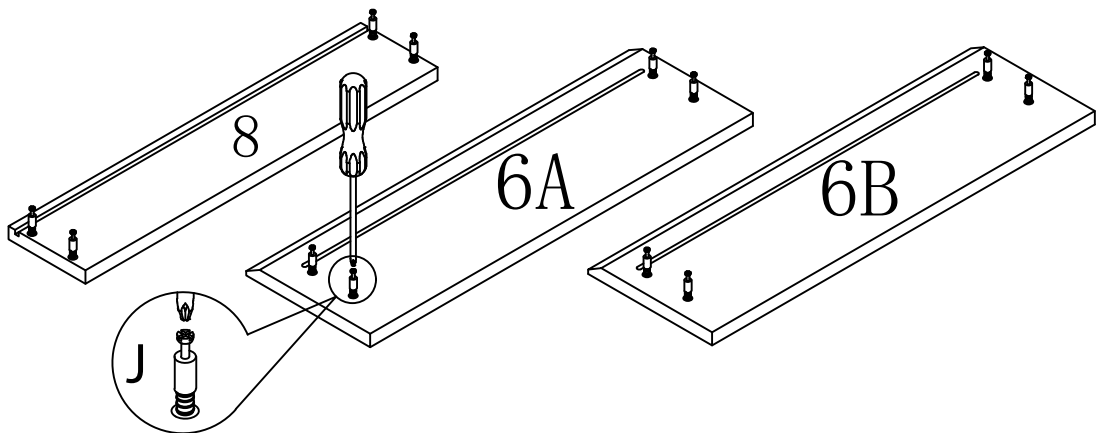
JX48



6Ax3

6Bx3

8x6



BANAK

HAIKU

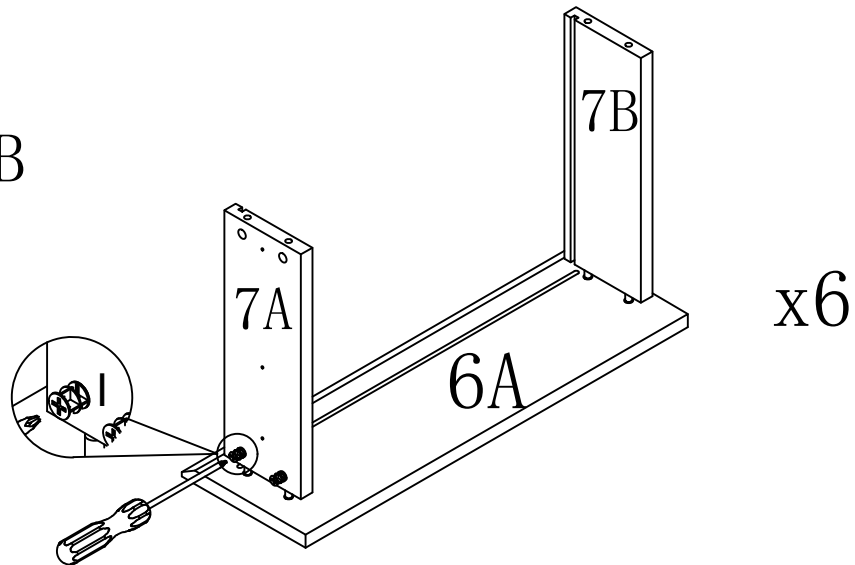
HK-0101R

9



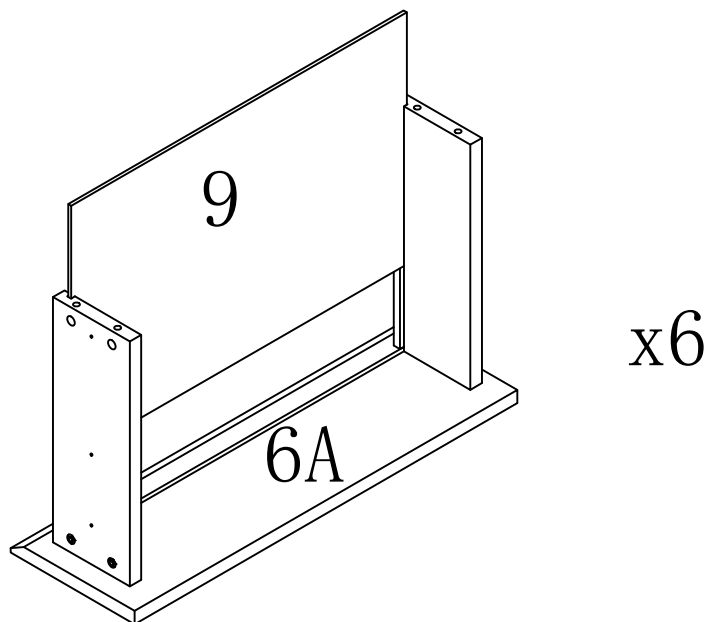
IX24

6A/6B



10

6A/6B



BANAK

HAIKU

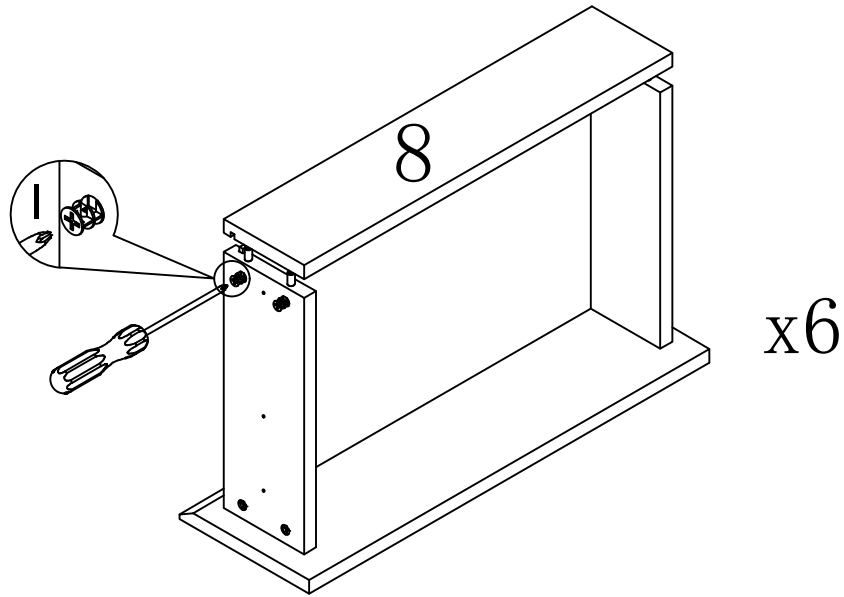
HK-0101R

11



IX24

6A/6B



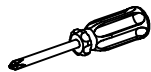
12



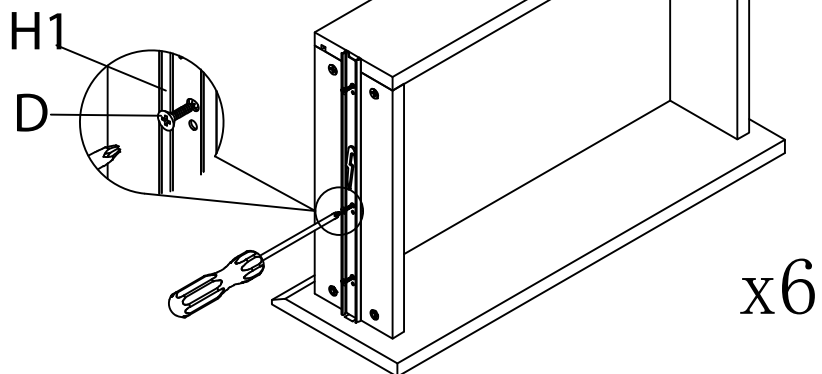
DX36



H1X12



6A/6B

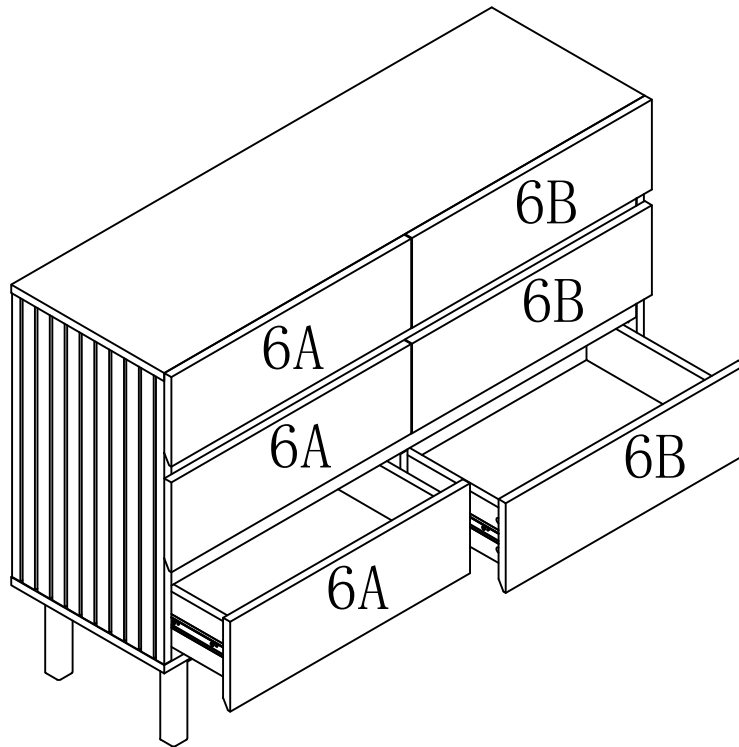


BANAK

HAIKU

HK-0101R

13



14



LX8



DX8

