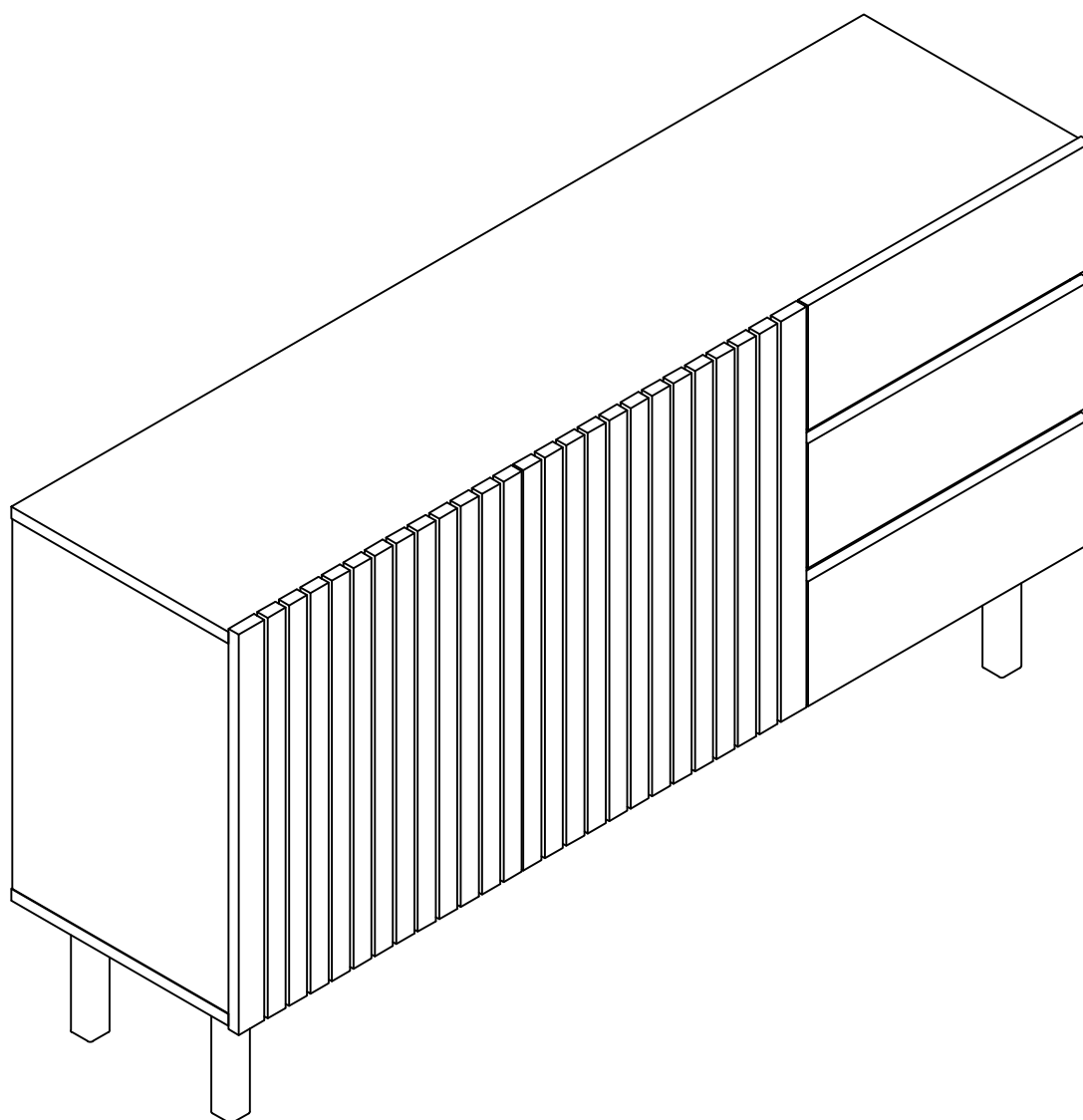


# BANAK

# HAIKU

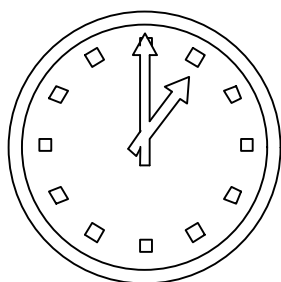
HK-0105R



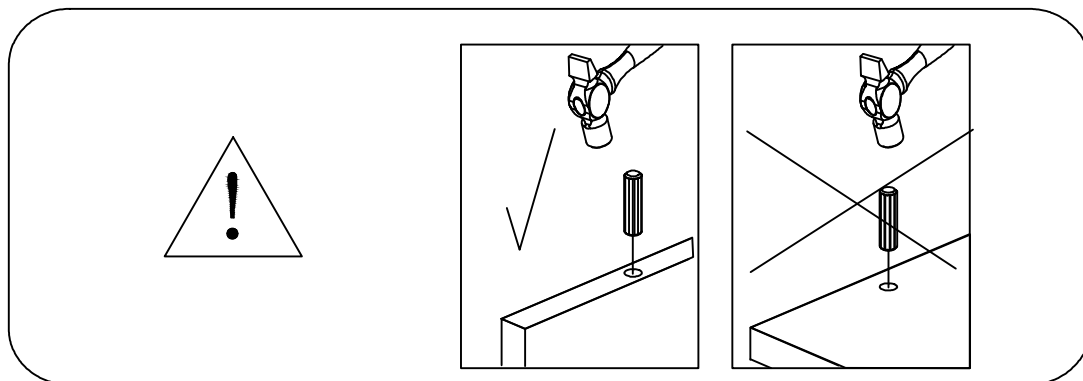
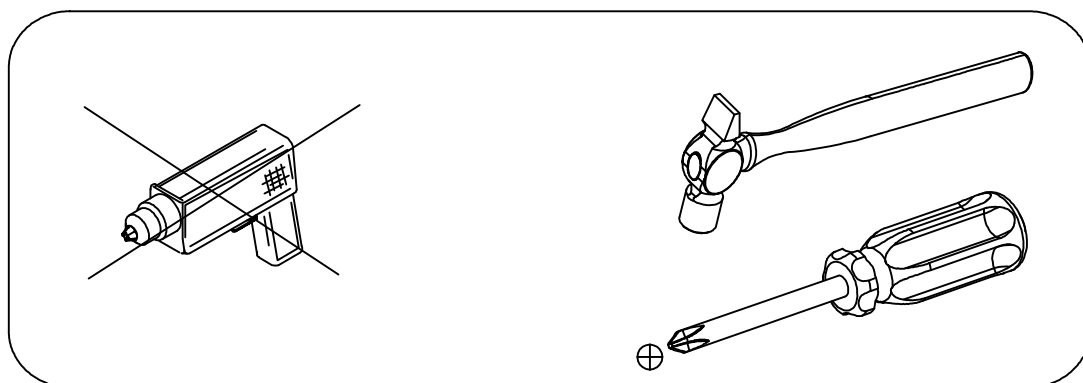
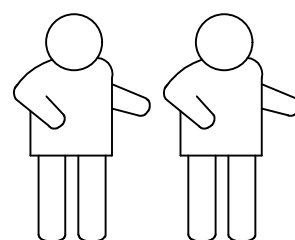
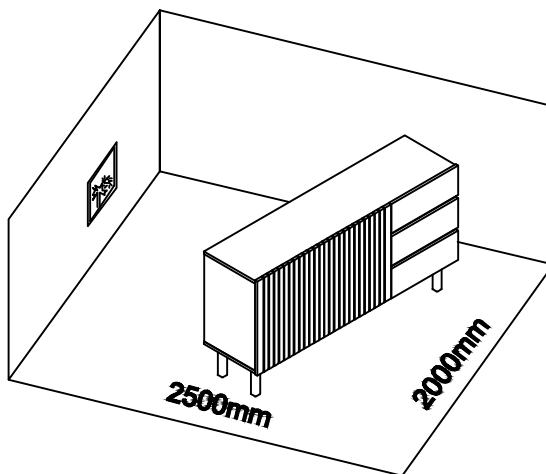
# BANAK

# HAIKU

HK-0105R



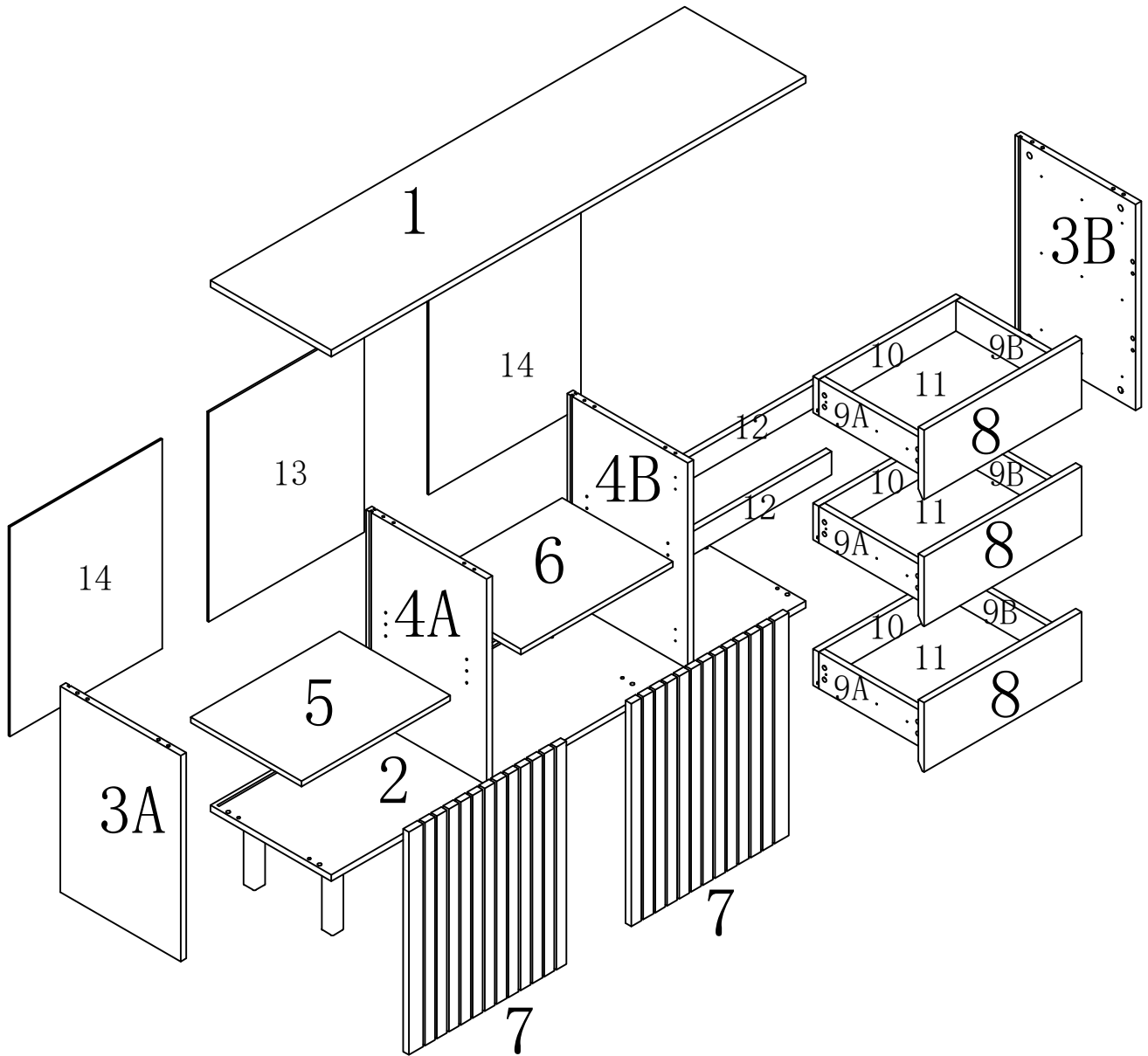
60 min



# BANAK

# HAIKU

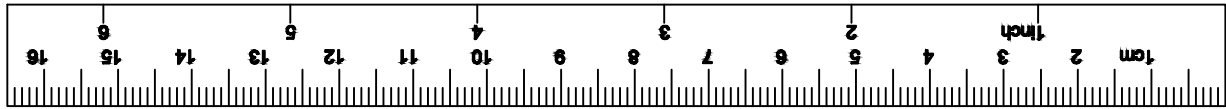
HK-0105R



# BANAK

# HAIKU

HK-0105R

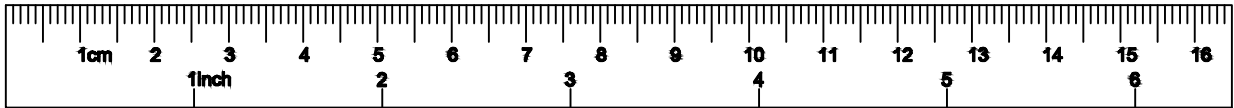







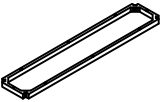

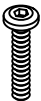
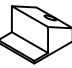
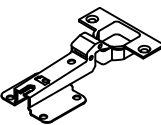

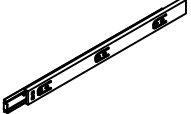

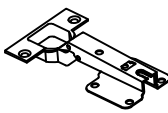
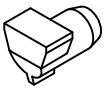


1	1	1500*382*18MM
2	1	1500*382*18MM
3A	1	381*564*18MM
3B	1	381*564*18MM
4A	1	381*564*18MM
4B	1	381*564*18MM
5	1	470*350*15
6	1	480*350*15
7	2	498*610*18MM
8	3	498*190*18MM
9A	3	332*100*18MM
9B	3	332*100*18MM
10	3	451*100*18MM
11	3	425*342*5MM
12	2	471*64*18MM
13	1	492*574*18MM
14	2	482*574*18MM

# BANAK

# HAIKU

HK-0105R



 $\phi 15*12$	<input type="checkbox"/>  M6*35	<input type="checkbox"/>  $\phi 8*40$	<input type="checkbox"/>  M3.5*15
<input type="checkbox"/>  EX4	<input type="checkbox"/>  FX1	<input type="checkbox"/>  GX16	<input type="checkbox"/>  M6*45
<input type="checkbox"/>  IX12	<input type="checkbox"/>  JX2	<input type="checkbox"/>  KX1	<input type="checkbox"/>  LX6
<input type="checkbox"/>  MX24	<input type="checkbox"/>  NX2	<input type="checkbox"/>  OX8	<input type="checkbox"/>  PX24
<input type="checkbox"/>  M6*50	<input type="checkbox"/> QX8		

# BANAK

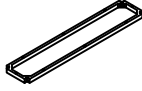
# HAIKU

HK-0105R

1



EX4



FX1



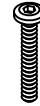
GX16



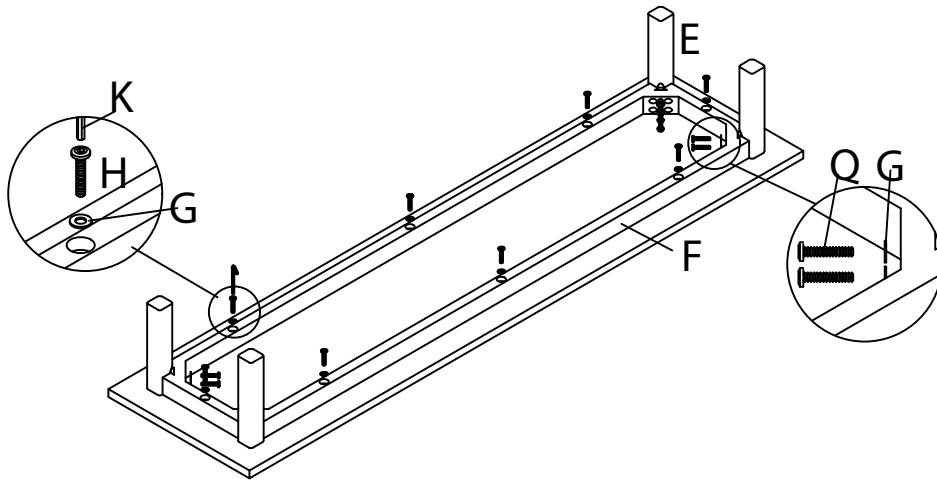
HX8



KX1



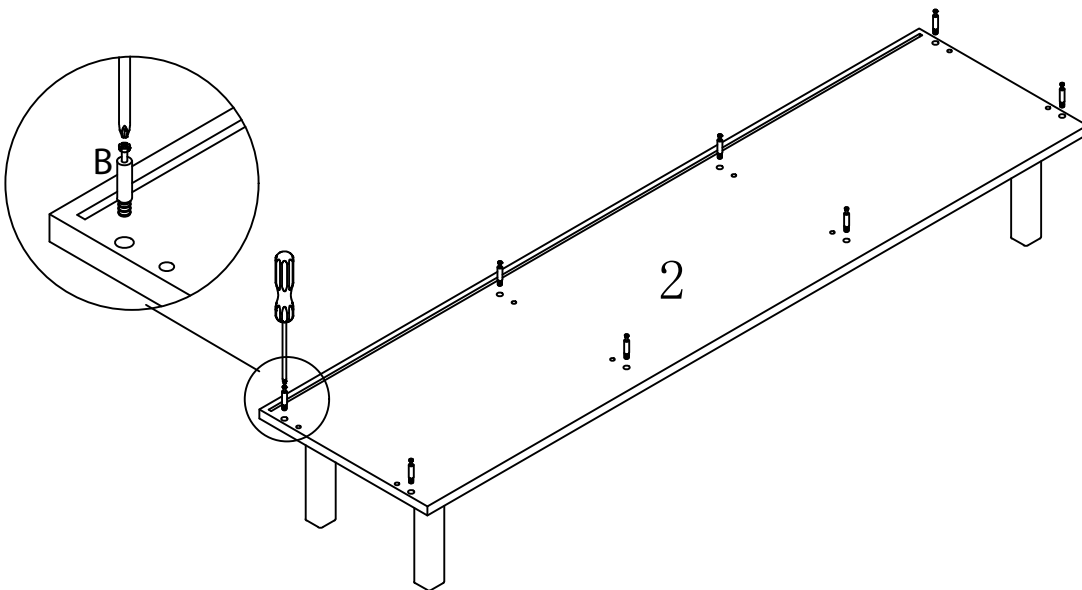
QX8



2



BX8

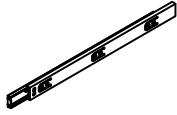


# BANAK

# HAIKU

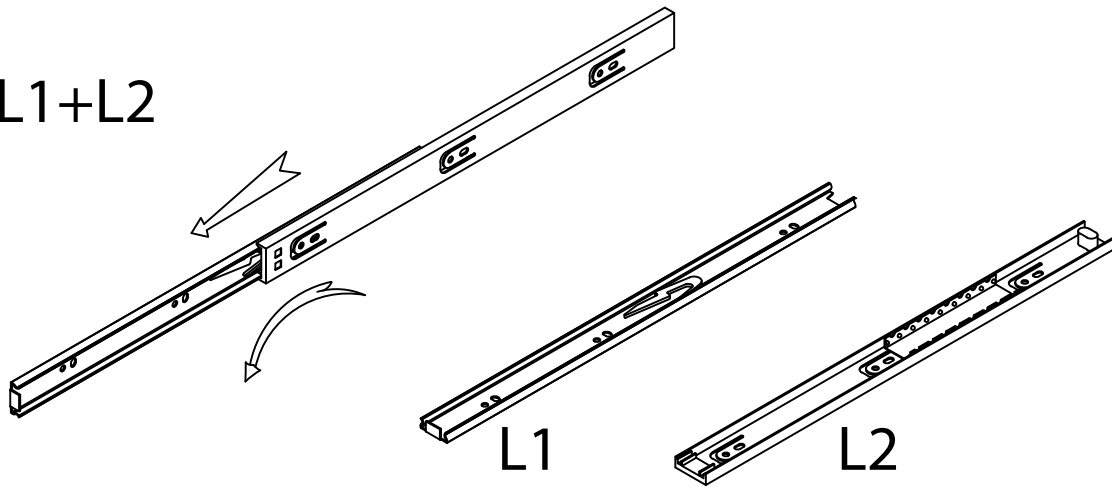
HK-0105R

3



LX6

$L=L1+L2$



4



BX4



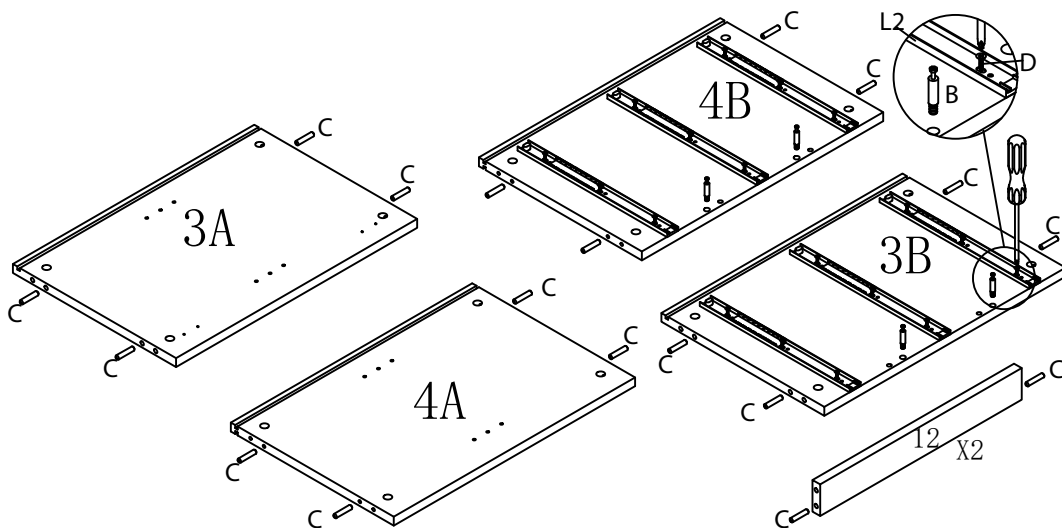
CX20



DX18



L2X6

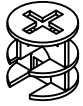


# BANAK

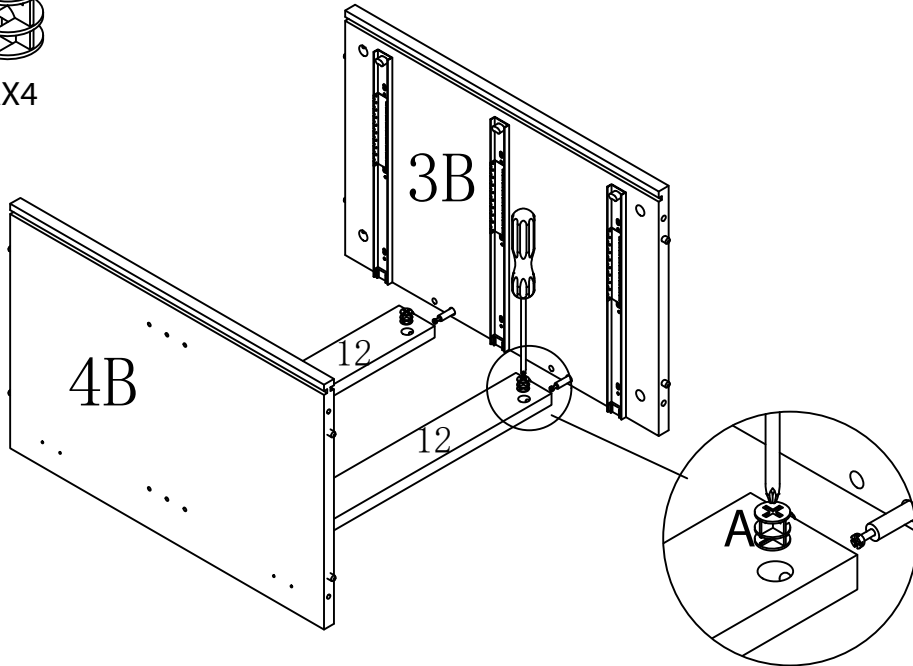
# HAIKU

HK-0105R

5



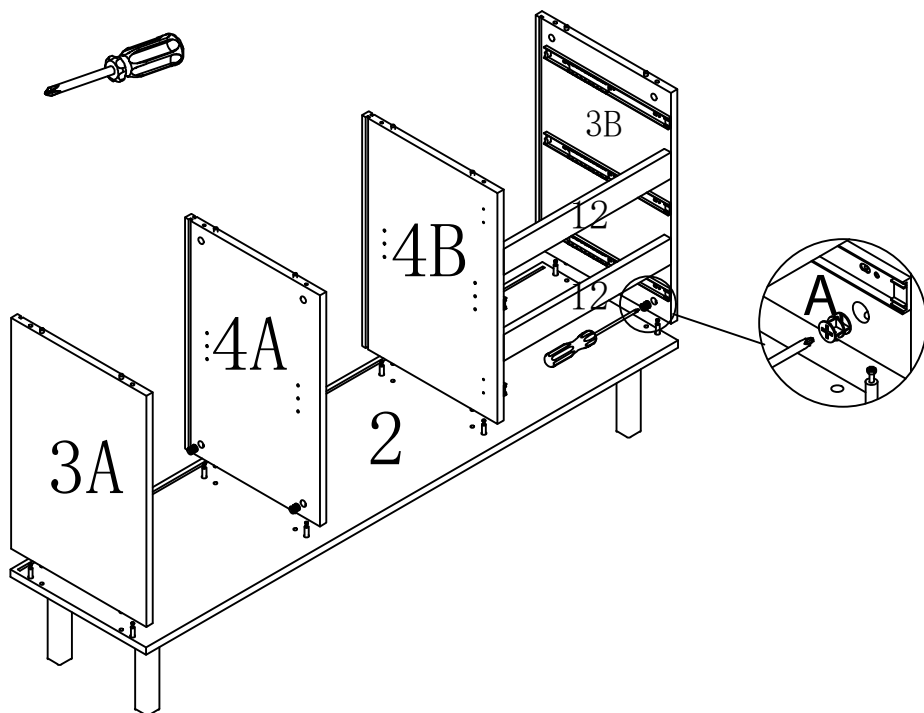
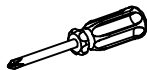
AX4



6



AX8



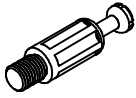


# BANAK

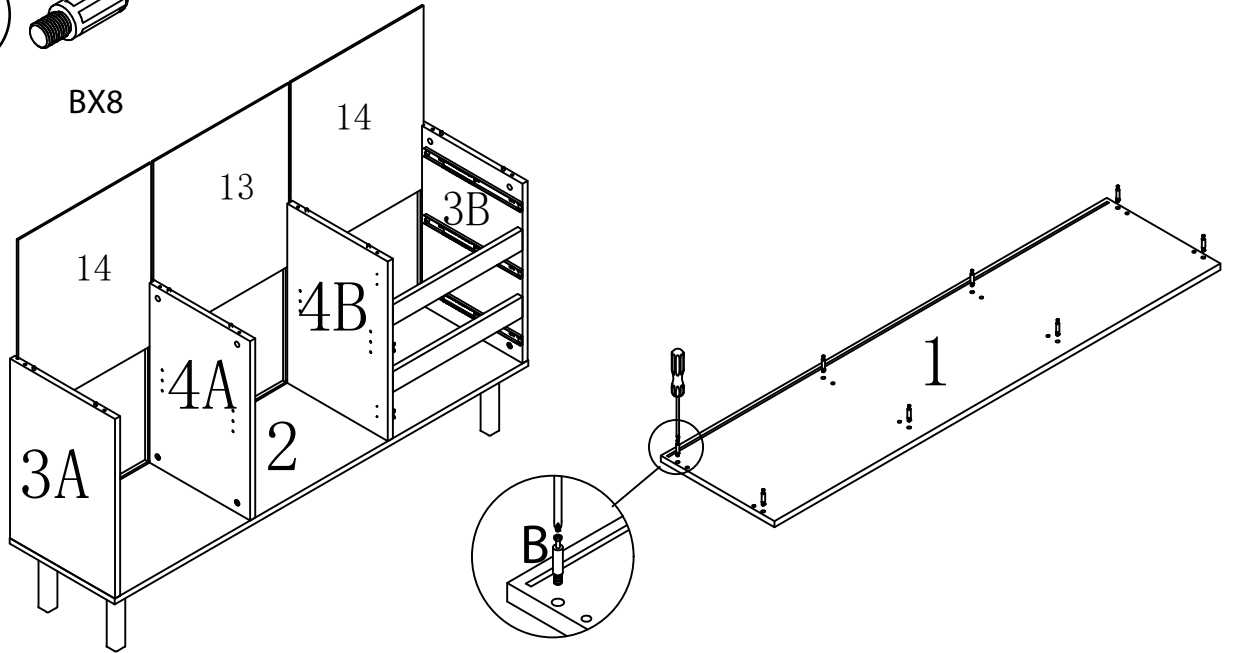
# HAIKU

HK-0105R

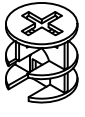
7



BX8



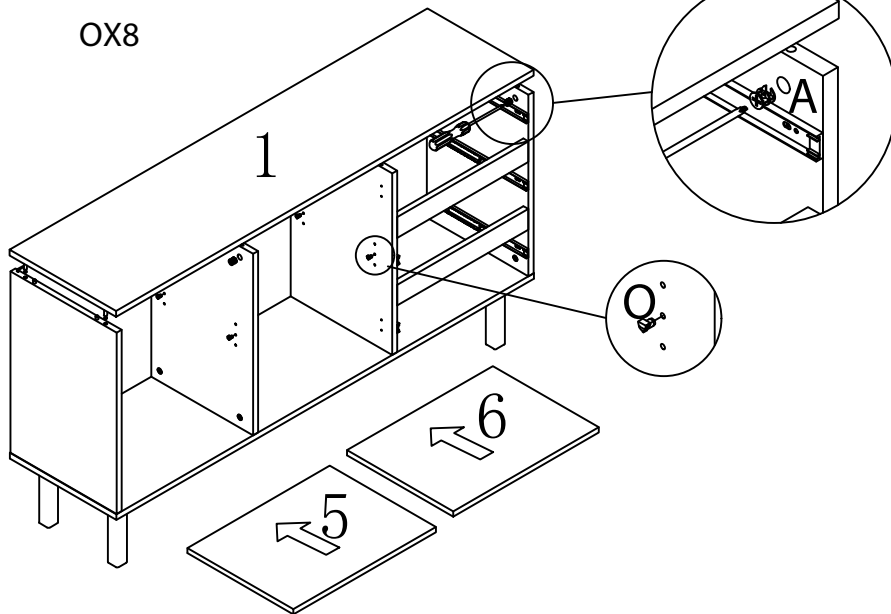
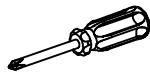
8



AX8



OX8



# BANAK

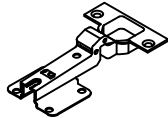
# HAIKU

HK-0105R

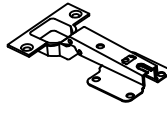
9



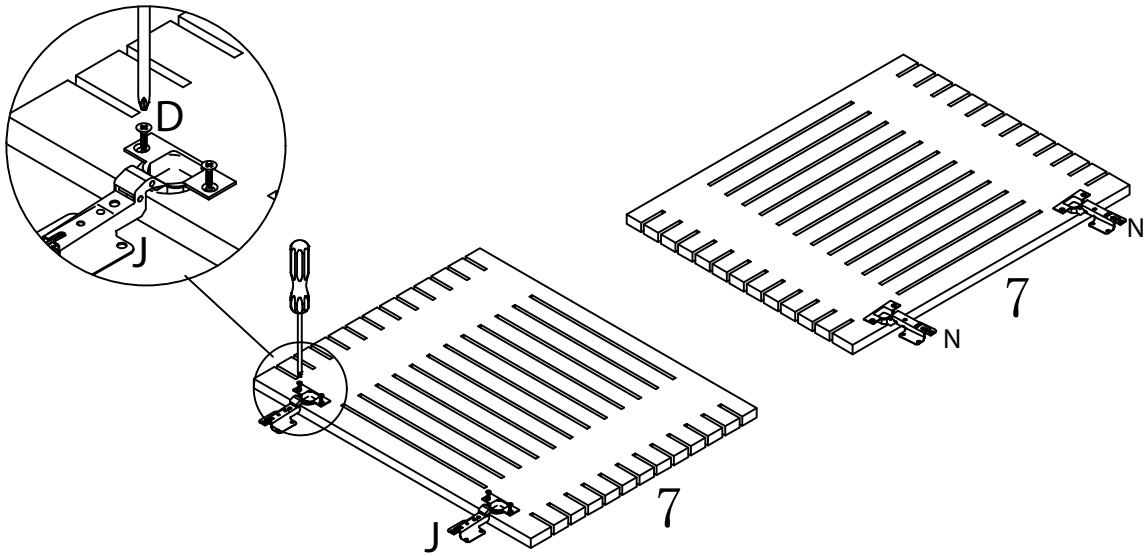
DX8



JX2



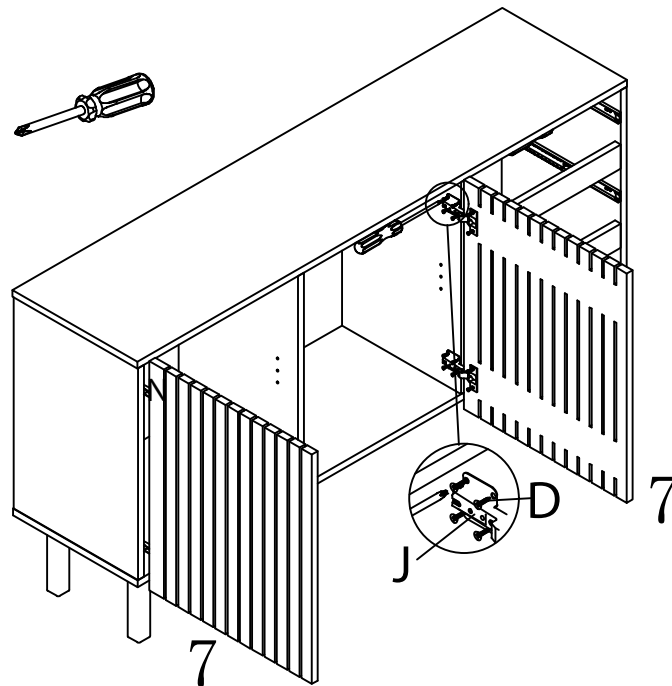
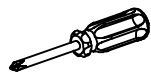
NX2



10



DX16



# BANAK

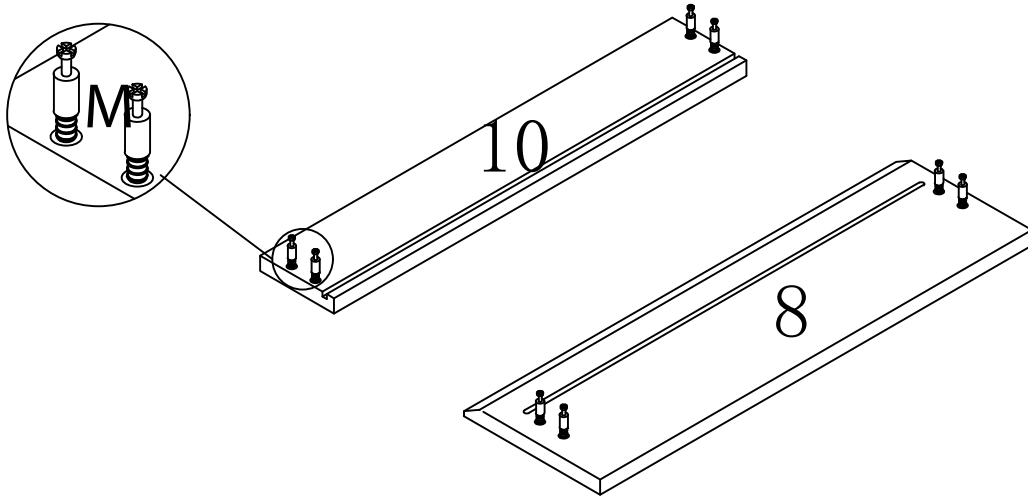
# HAIKU

HK-0105R

11



MX24

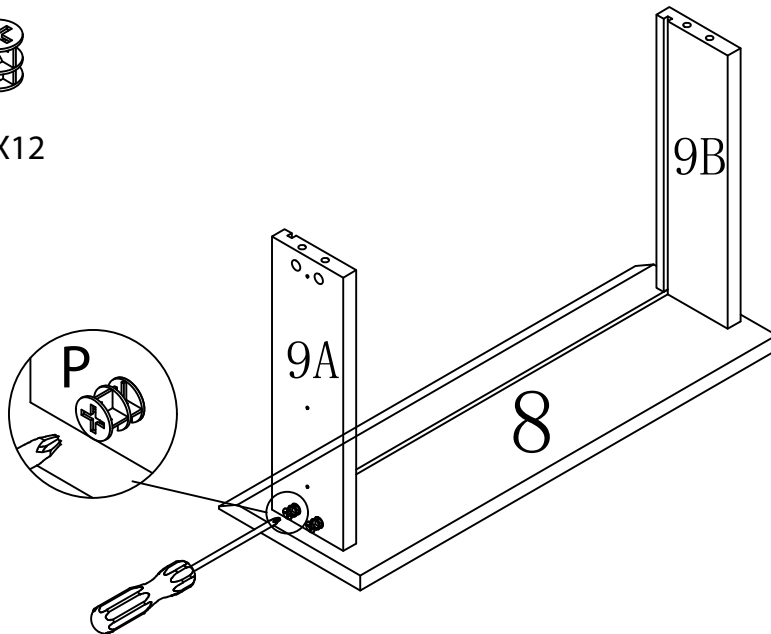


X3

12



PX12



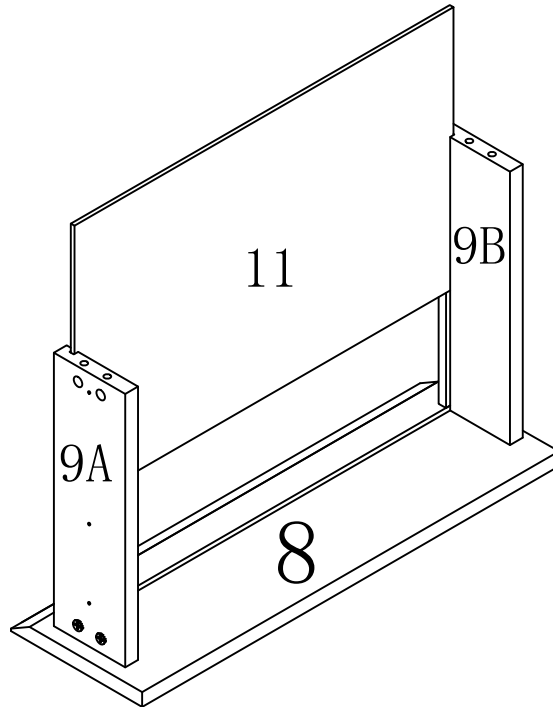
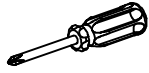
X3

# BANAK

# HAIKU

HK-0105R

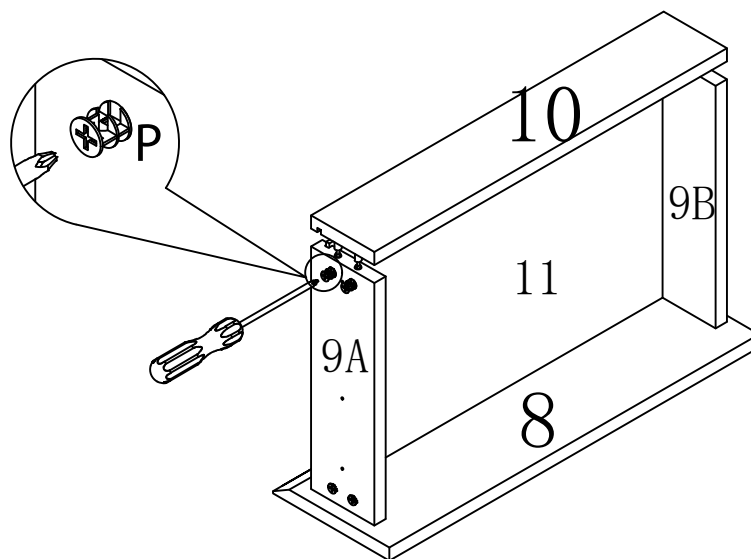
13



14



PX12



# BANAK

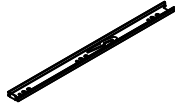
# HAIKU

HK-0105R

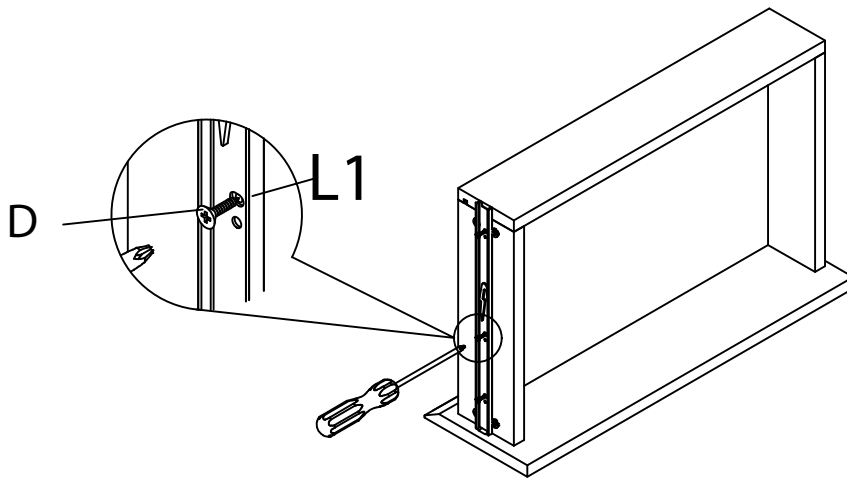
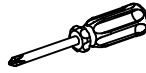
15



DX18



L1X6



16



DX12



IX12

