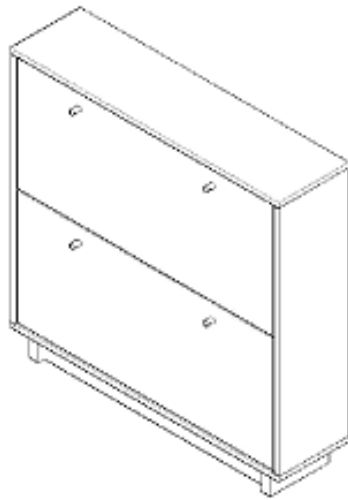


BANAK

HALTI

HL-0102



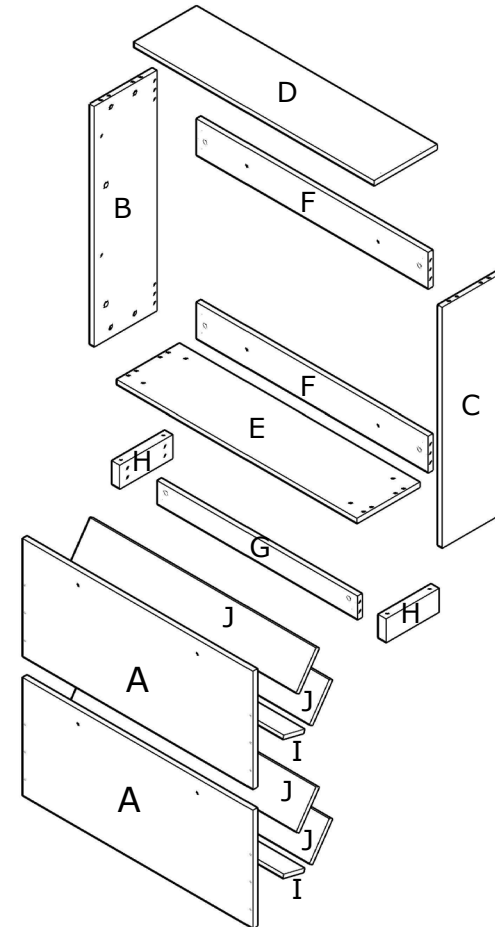
1/7

BANAK

HALTI

HL-0102

A	1PU9671	x2	920 x 408 x 16	E	1EN9533	x1	960 x 250 x 16	I	MCA0766	x2	903 x 83 x 12
B	1LA10248I	x1	832 x 249 x 16	F	1VA9183	x2	926 x 125 x 16	J	MCA0767	x4	903 x 140 x 12
C	1LA10248D	x1	832 x 249 x 16	G	1VA9184	x1	800 x 80 x 16				
D	1EN9532	x1	960 x 250 x 16	H	1VA9185	x2	210 x 80 x 30				



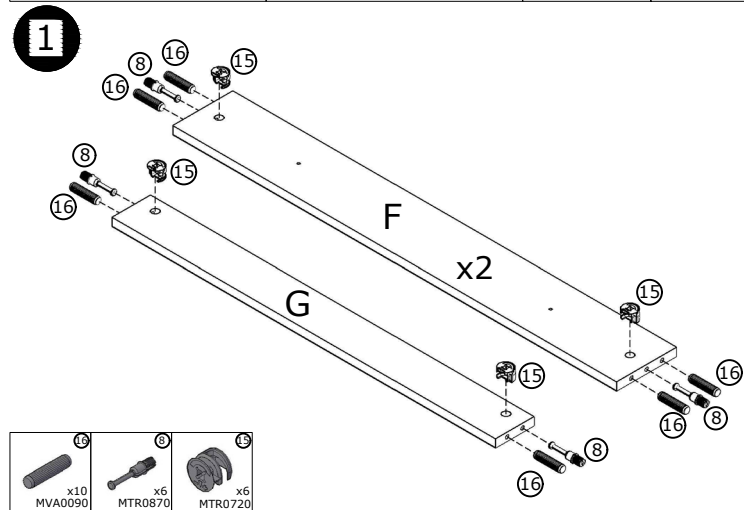
2/7

BANAK

HALTI

HL-0102

②	x32 3,5x16 MTR0420	⑥	x4 7X60 MTR0590	⑦	x2 4,5X50 MTR0150		
⑧	x14 MTR0870	⑮	x14 MTR0720	⑯	x18 MVA0090		
⑰	x4 MTA0020	⑳	x1 4MM MVA0865	⑥①	x4 MVA1825		
⑥②	x4 MVA1829	⑥③	x4 MVA1829	⑥④	x4 MVA1829		
⑥⑤	x4 MVA1829	⑦①	x16 D:17 MVA1736	⑦②	x2 6 mm MTA0010	⑦③	x4 MPM0855

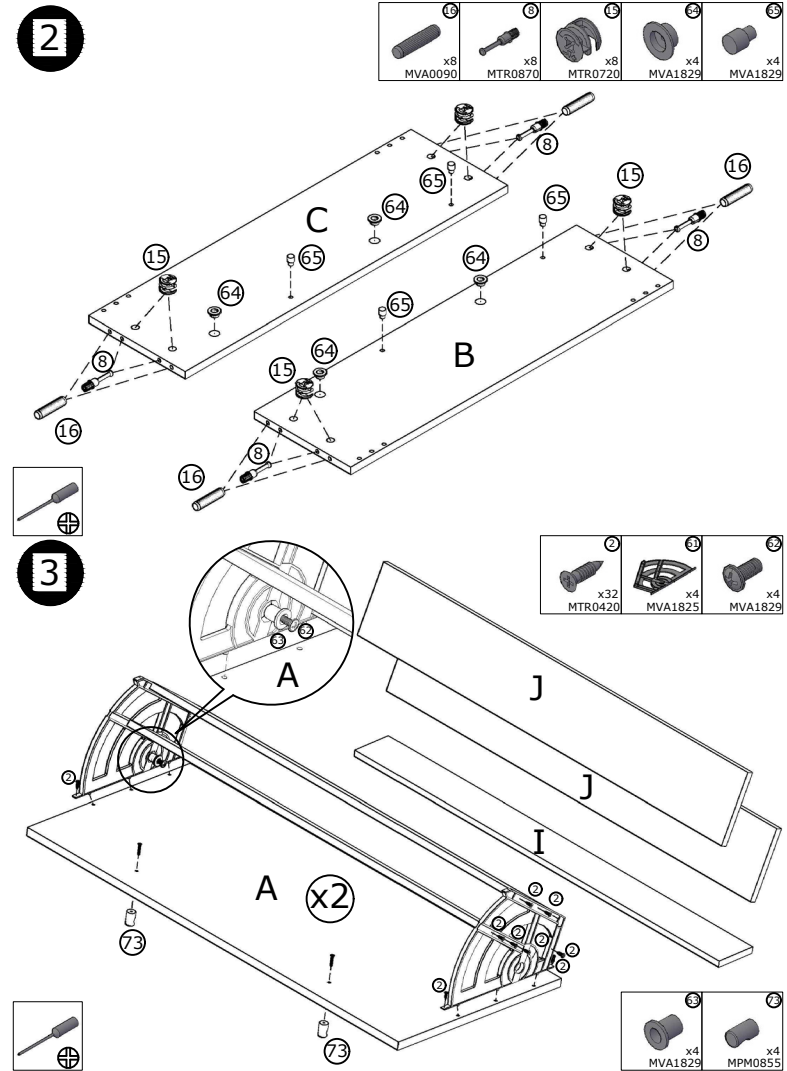


3/7

BANAK

HALTI

HL-0102

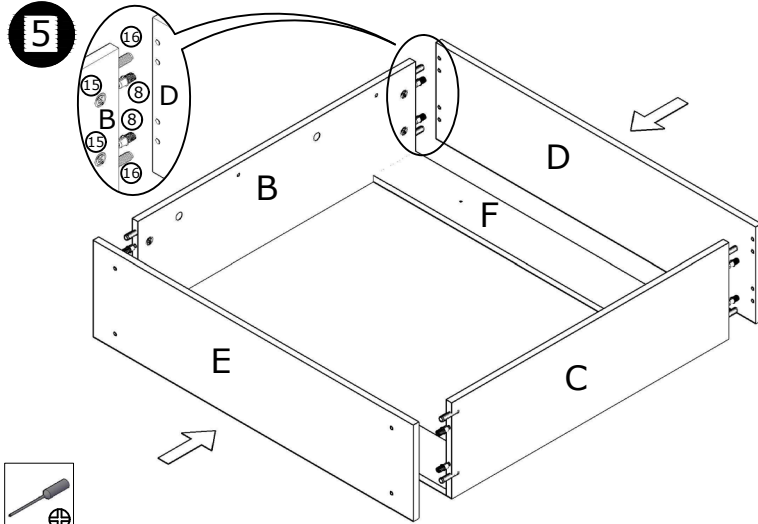
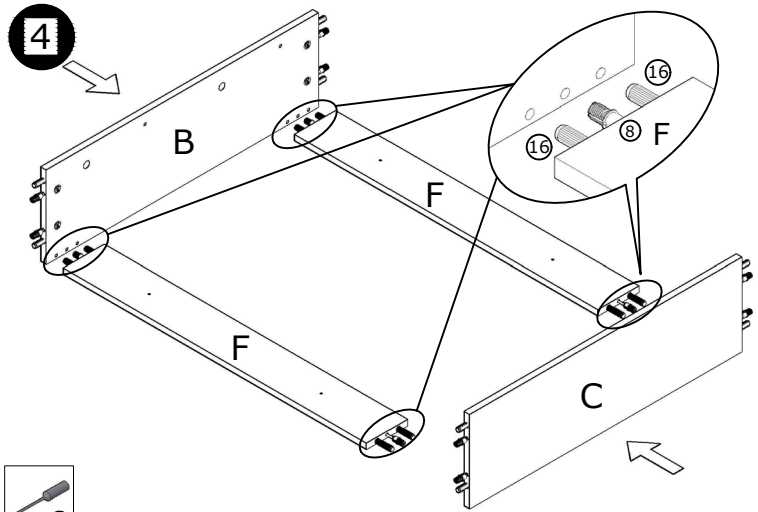


4/7

BANAK

HALTI

HL-0102

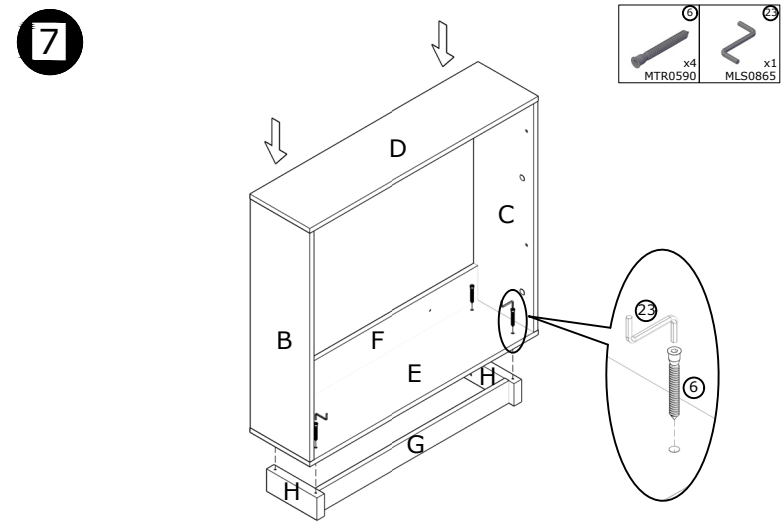
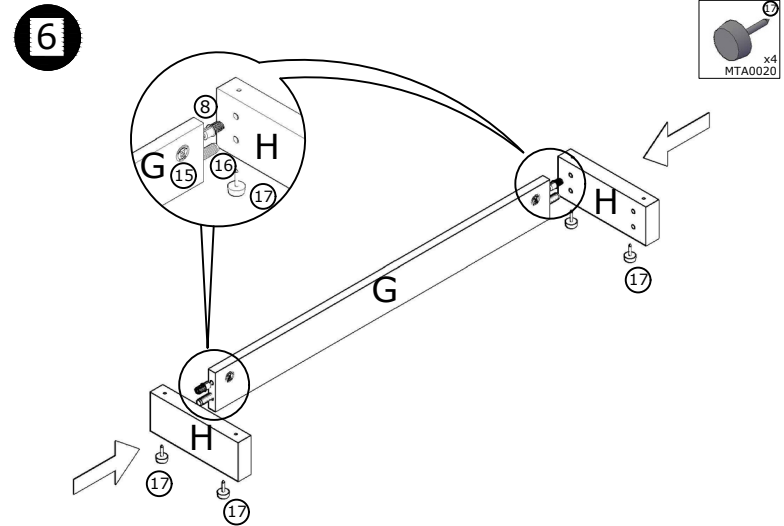


5/7

BANAK

HALTI

HL-0102



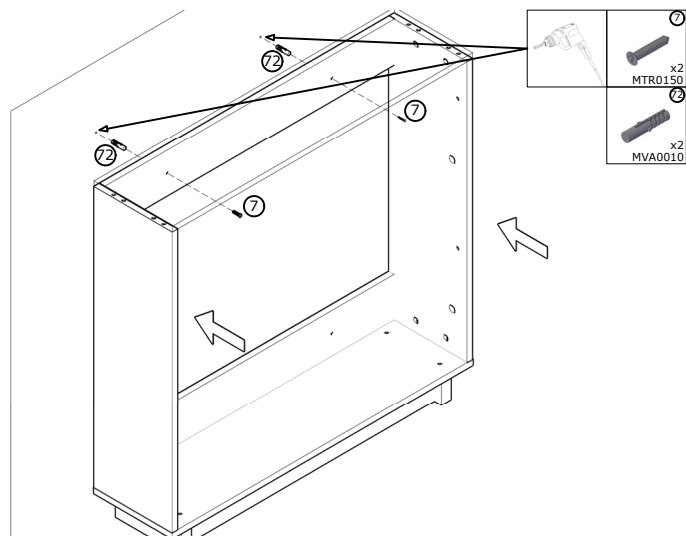
6/7

BANAK

HALTI

HL-0102

8



9

