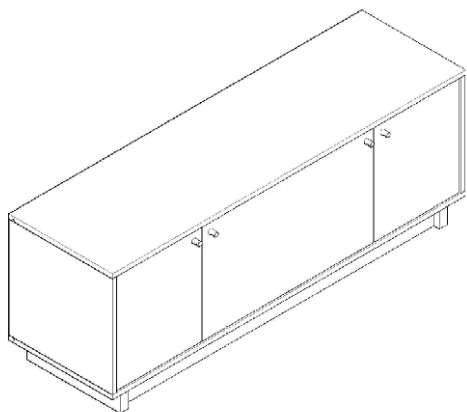


BANAK

HALTI

HL-0103



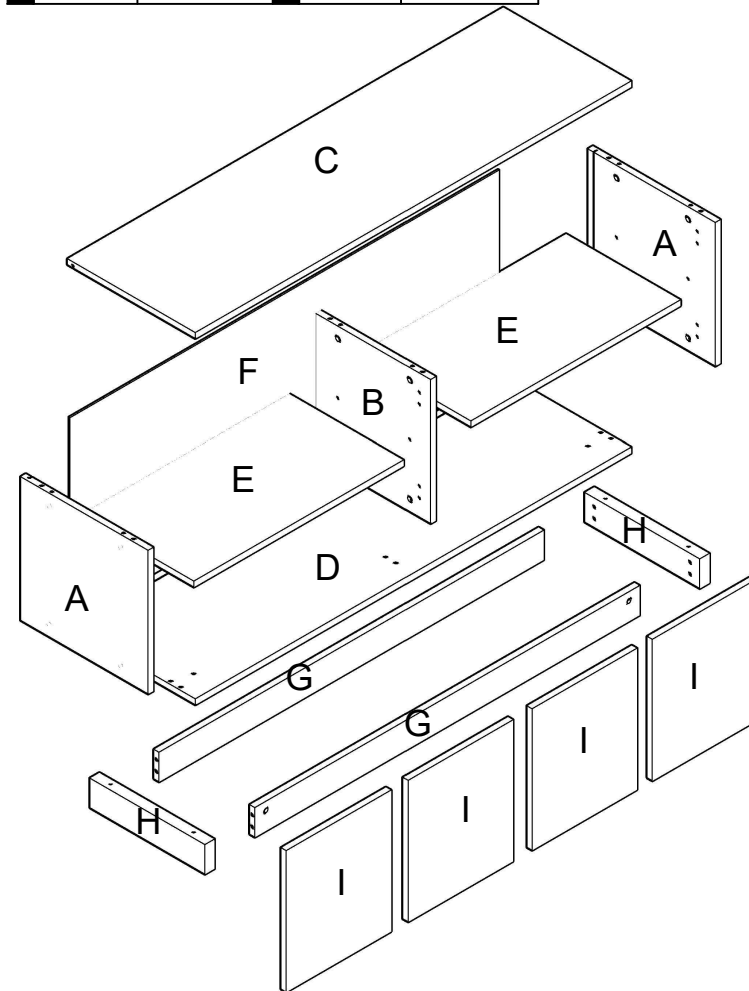
1/8

BANAK

HALTI

HL-0103

A	1LA10241	389 x 399 x 16	E	1SI10148	656 x 358 x 16	I	1PU9667	383 x 328 x 16
B	1LA10242	389 x 359 x 16	F	MTB5025	1341 x 401 x 3			
C	1EN9517	1363 x 400 x 16	G	1VA9178	1203 x 80 x 16			
D	1EN9518	1363 x 400 x 16	H	1VA9179	360 x 80 x 30			



2/8

