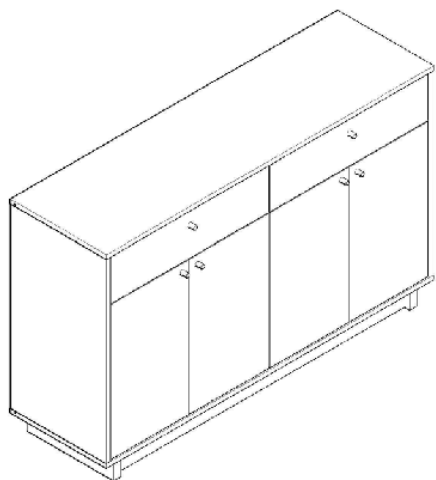


# BANAK

# HALTI

HL-0106



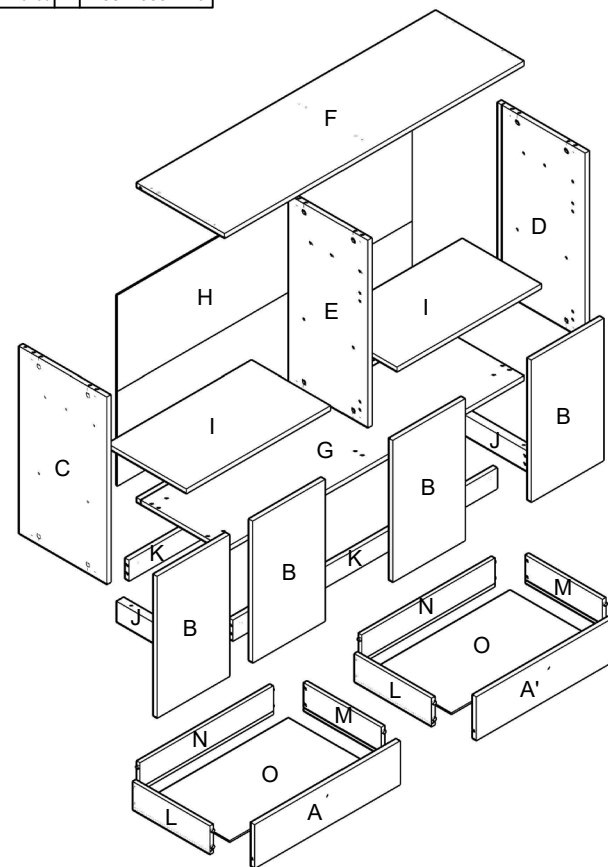
1/12

# BANAK

# HALTI

HL-0106

<b>A</b>	1FR9028	x1	660 x 170 x 16	<b>F</b>	1EN9534	x1	1363 x 400 x 16	<b>K</b>	1VA9178	x2	862 x 170 x 16
<b>A'</b>	1FR9029	x1	660 x 170 x 16	<b>G</b>	1EN9535	x1	1363 x 400 x 16	<b>L</b>	MCA0827I	x2	350 x 110 x 12
<b>B</b>	1PU9672	x4	558 x 328 x 16	<b>H</b>	MTB5026	x1	1341 x 750 x 3	<b>M</b>	MCA0827D	x2	350 x 110 x 12
<b>C</b>	1LA10249I	x1	738 x 399 x 16	<b>I</b>	1SI10158	x2	656 x 358 x 16	<b>N</b>	MCA4331	x2	606 x 110 x 12
<b>D</b>	1LA10249D	x1	738 x 399 x 16	<b>J</b>	1VA9179	x2	360 x 80 x 30	<b>O</b>	MTB5027	x2	618 x 350 x 3
<b>E</b>	1LA10250	x1	738 x 359 x 16								



2/12

# BANAK

# HALTI

HL-0106

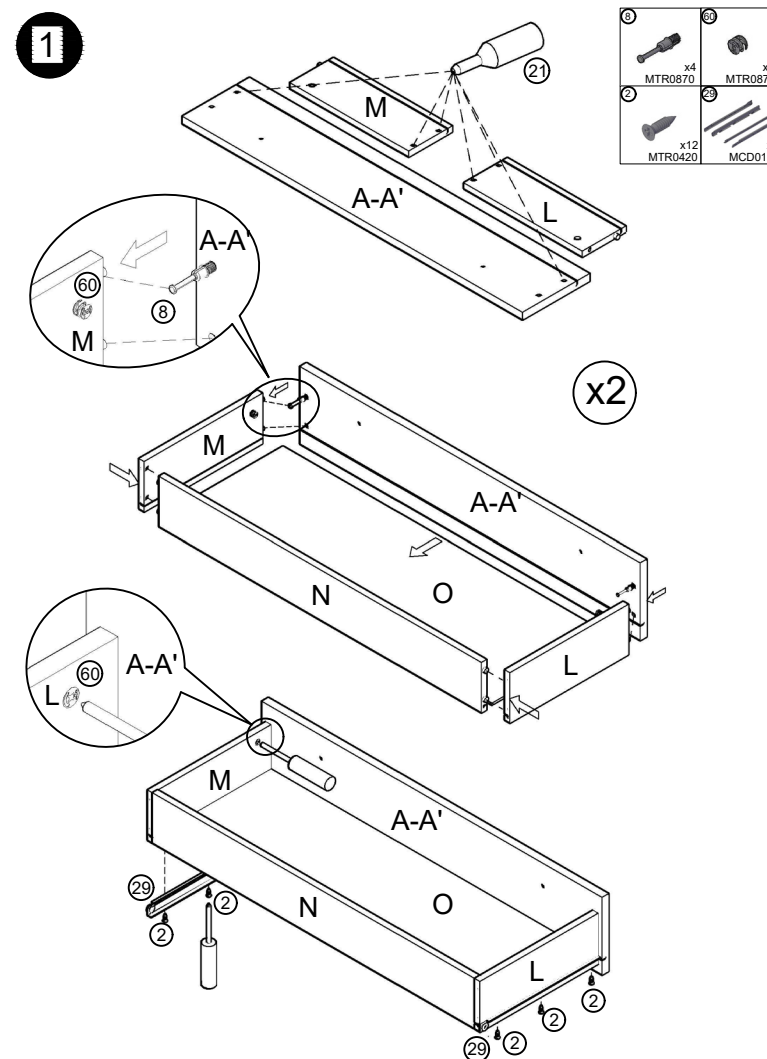
②	x44	⑤	x12	⑧	x20
	3,5x15 MTR0420		6,3x11 MTR0641		MTR0870
⑮	x16	⑮	x16	⑰	x6
	15x12 MTR0720		8x30 MVA0090		MTA0020
⑳	x1	㉕	x8	㉔	x4
	MCL0090		MBB0402		MBB0402
㉘	x4	㉙	x4	㉚	x4
	MBB0273		MCD0060		7x60 MTR0590
㉛	x1	①	x4	②	x6
	4MM MVA0865		12x10 MTR0871		MVA0971
②	x1	③	x6	④	x8
	MVA2387		MPM0855		MTR0630
⑦	x8				
	D: 17mm MVA1736				

3/12

# BANAK

# HALTI

HL-0106

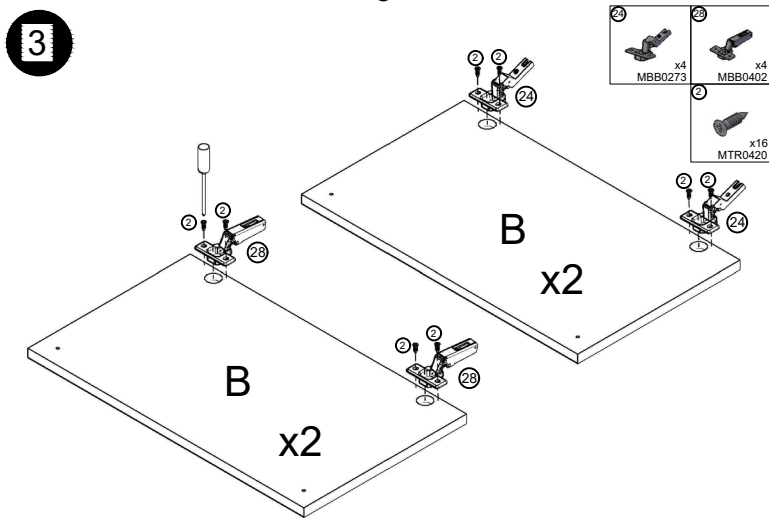
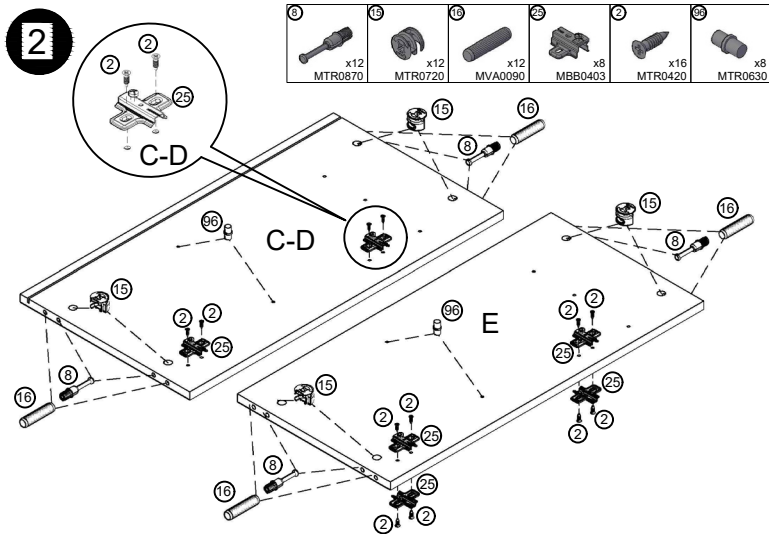


4/12

# BANAK

# HALTI

HL-0106

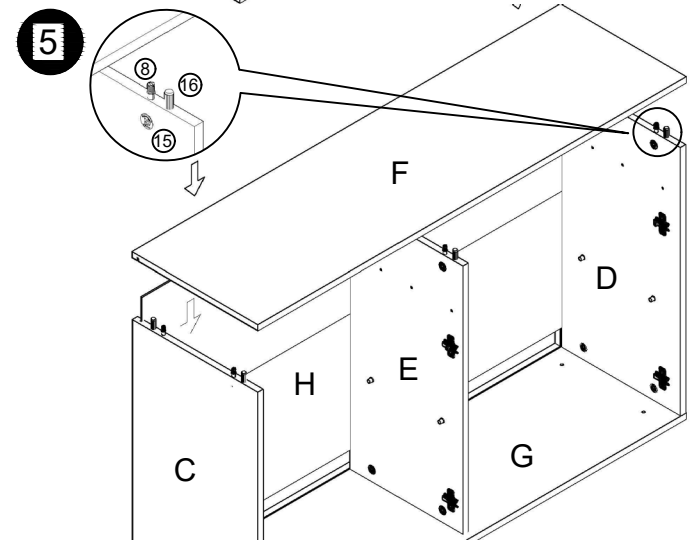
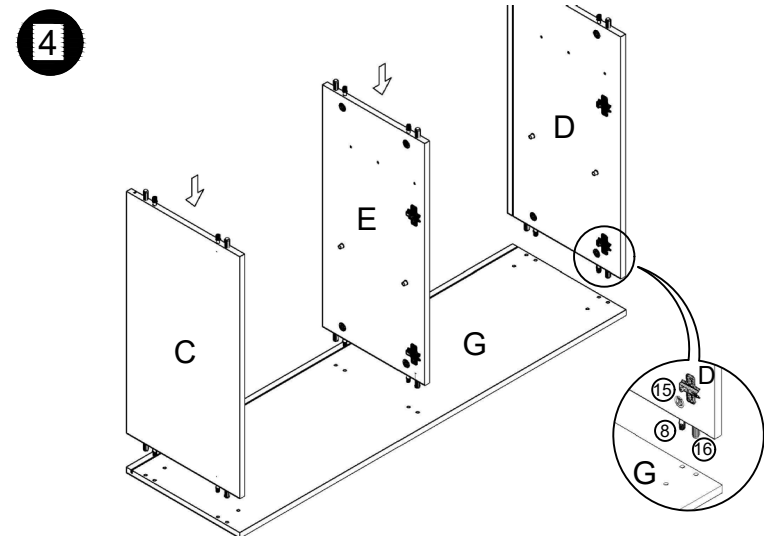


5/12

# BANAK

# HALTI

HL-0106



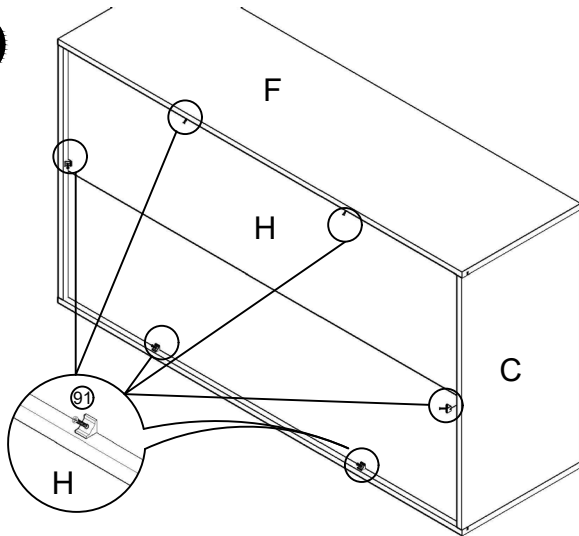
6/12

# BANAK

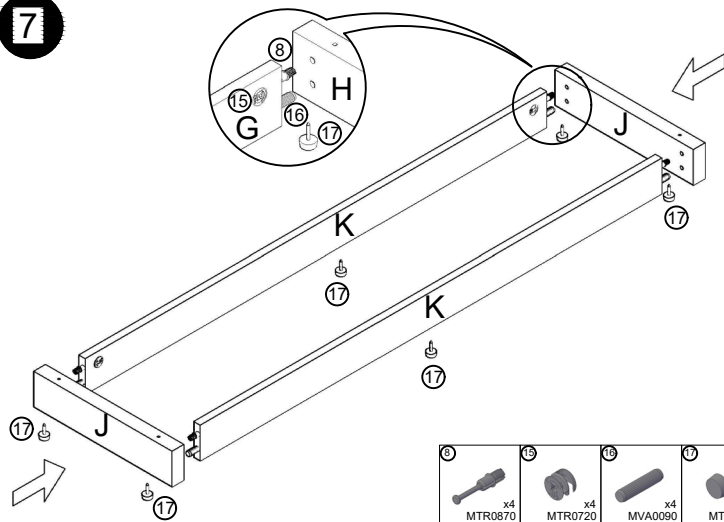
# HALTI

HL-0106

6



7



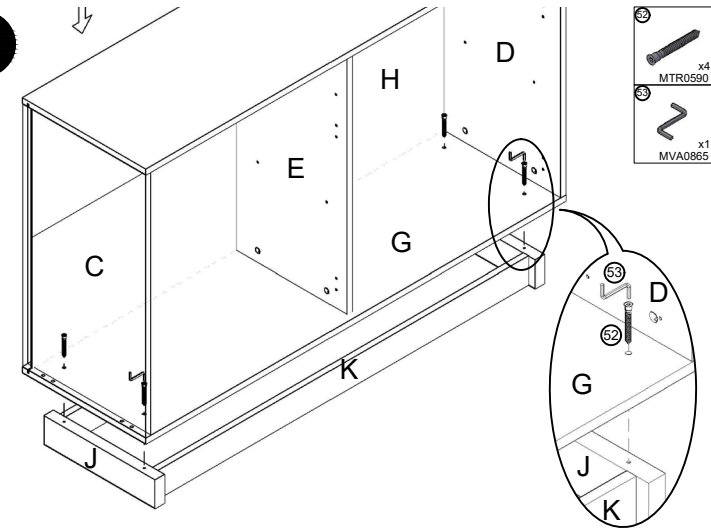
7/12

# BANAK

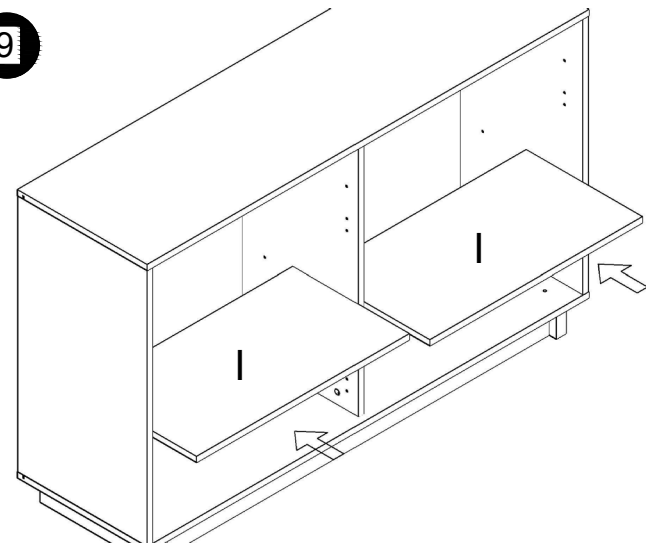
# HALTI

HL-0106

8



9



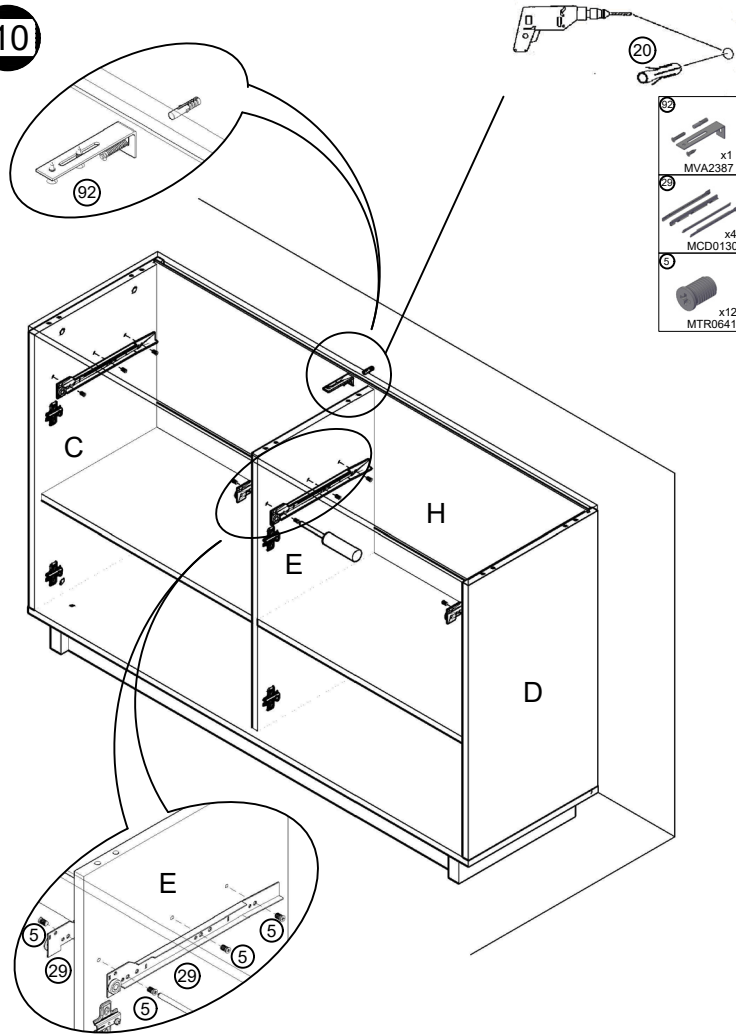
8/12

# BANAK

# HALTI

HL-0106

10



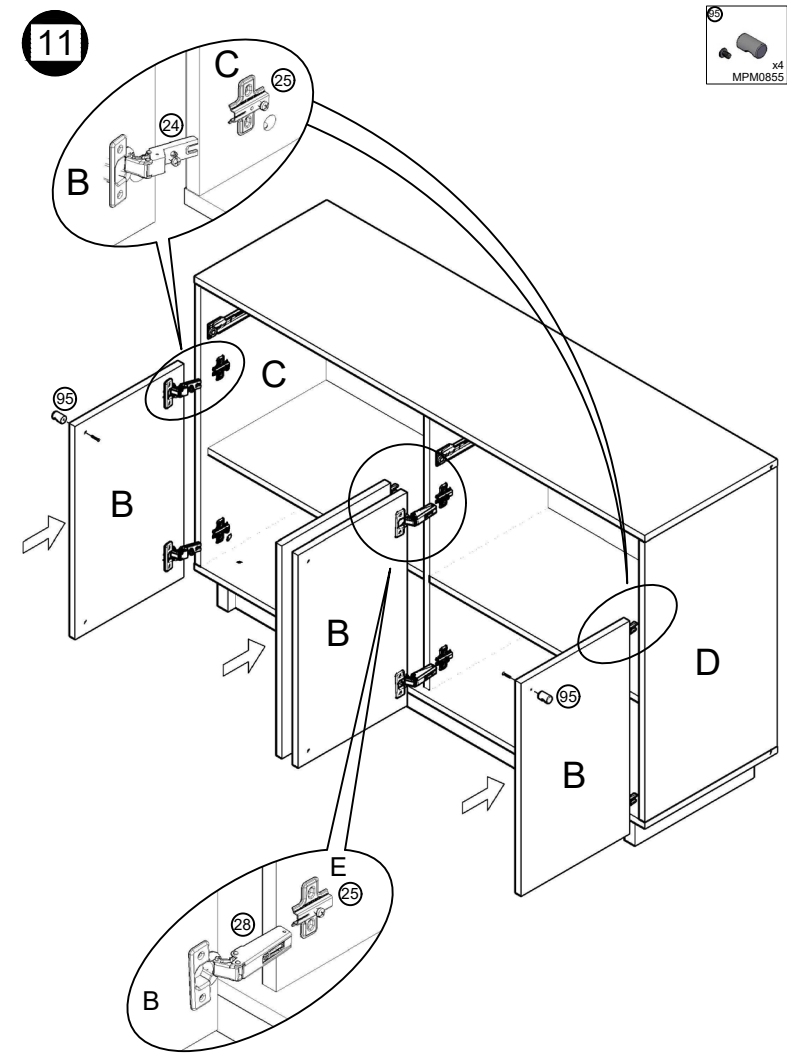
9/12

# BANAK

# HALTI

HL-0106

11



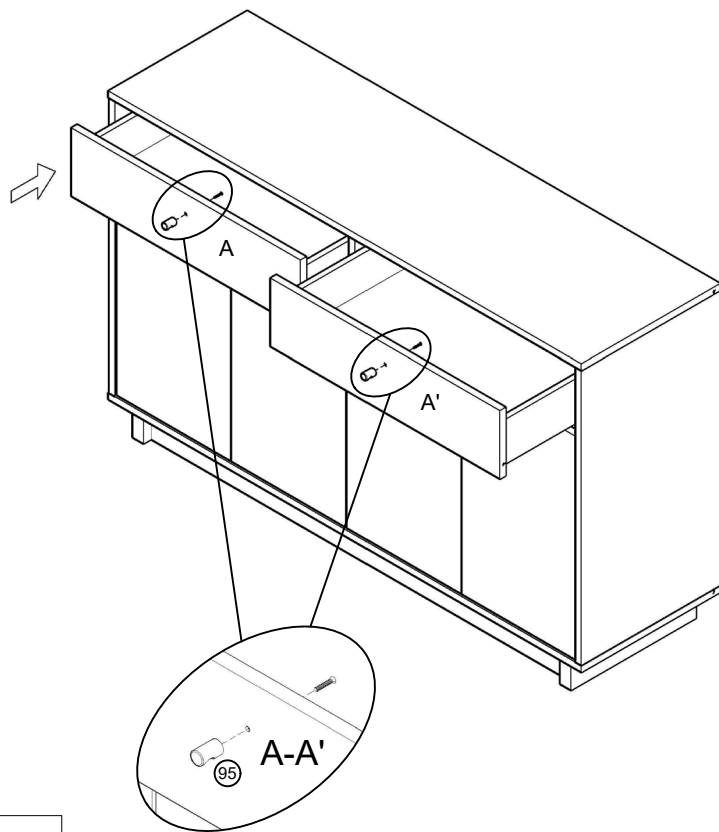
10/12

# BANAK

# HALTI

HL-0106

12

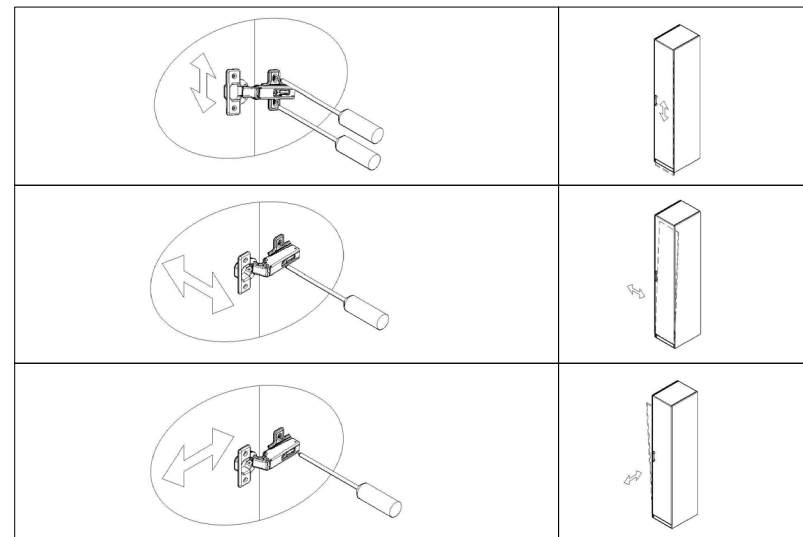


11/12

# BANAK

# HALTI

HL-0106



12/12