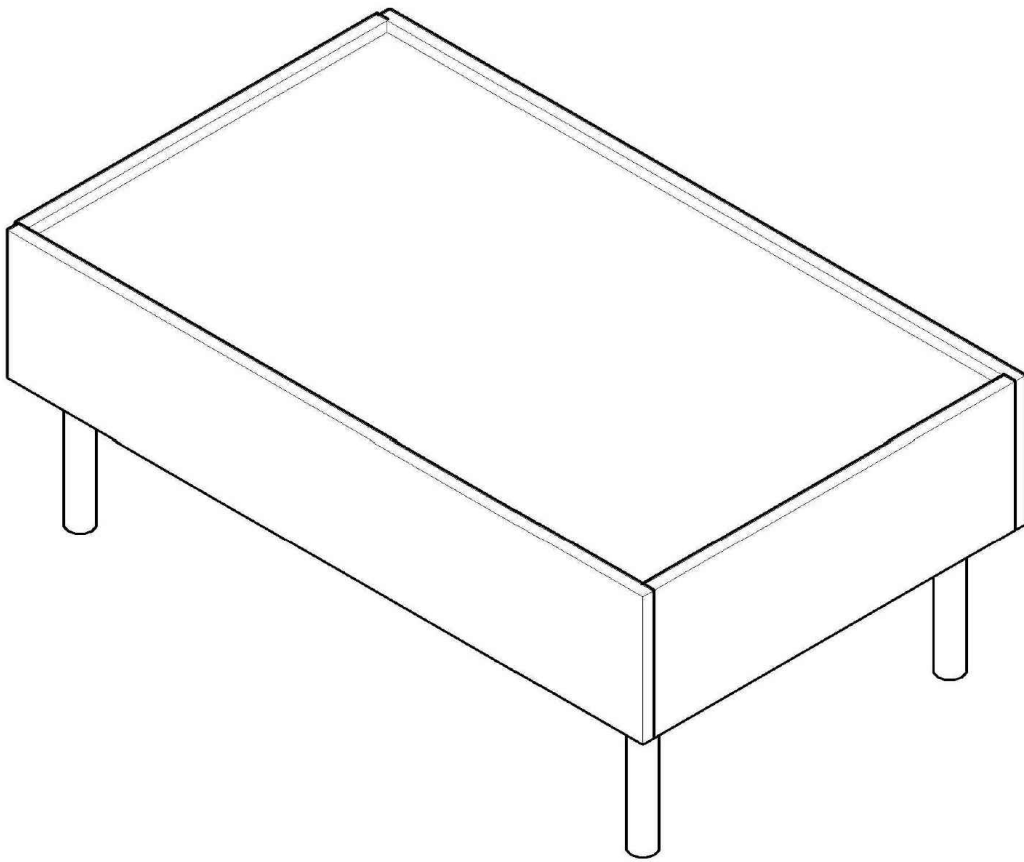


# BANAK

# CANES


JX-0102-2

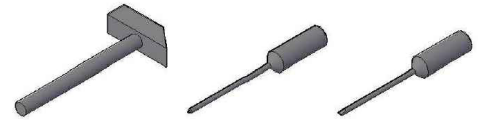


# BANAK

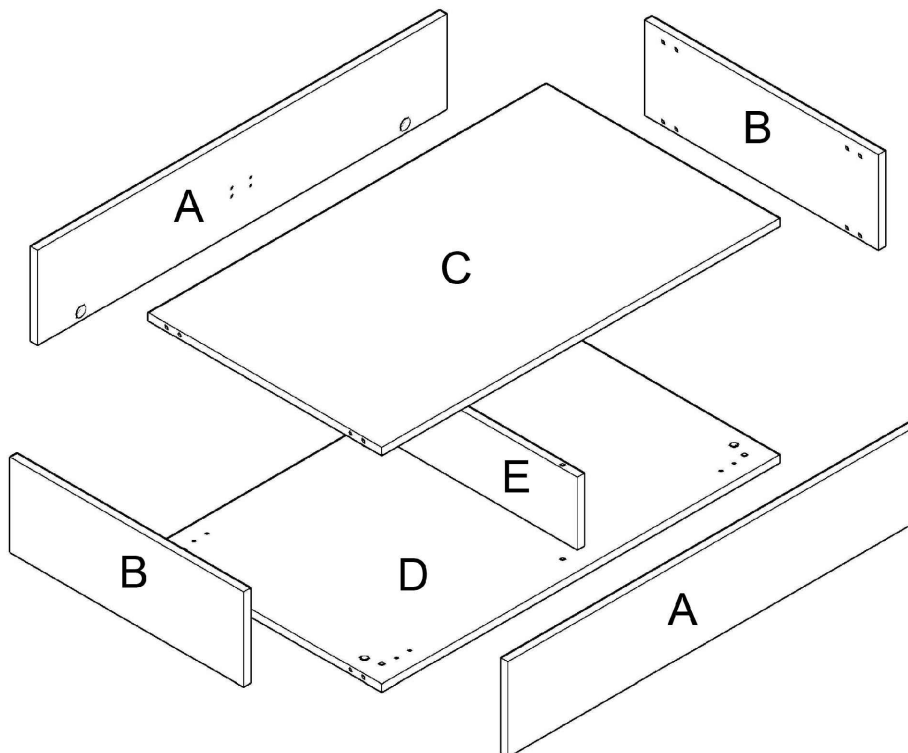
# CANES

JX-0102-2

②	 x24	⑧	 x8	⑮	 x8
⑮	 x12	⑰	 x4	⑱	 x4
⑳	 x4	㉘	 x4	⑤⑨	 x4 - BN x4 - PA
⑥①	 x2	⑧⑤	 x1		



1H:00MN

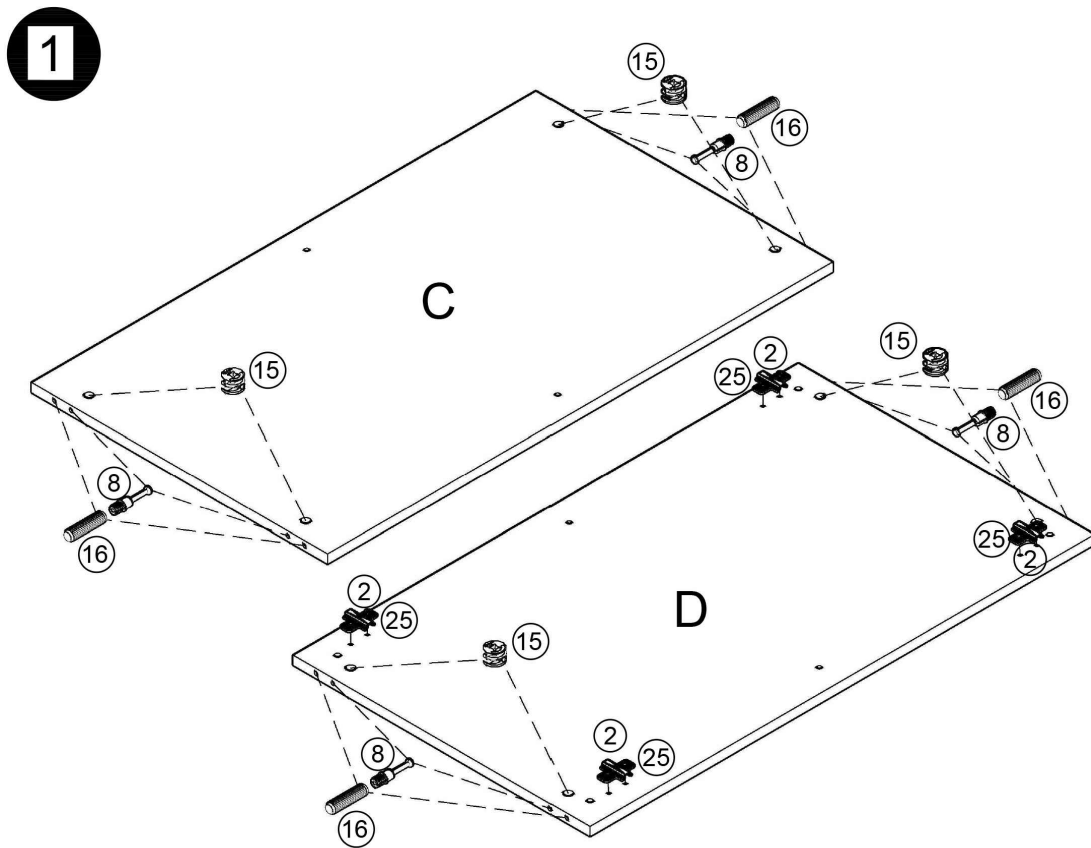


<b>A</b>	x2	1000 x 200 x 16	<b>C</b>	968 x 568 x 16	<b>E</b>	568 x 152 x 16
<b>B</b>	x2	568 x 200 x 16	<b>D</b>	968 x 568 x 16		

# BANAK

# CANES

JX-0102-2

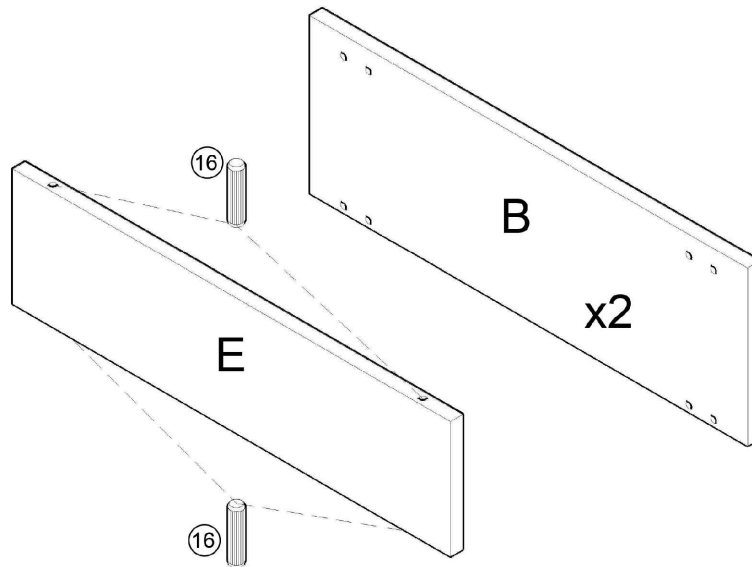


# BANAK

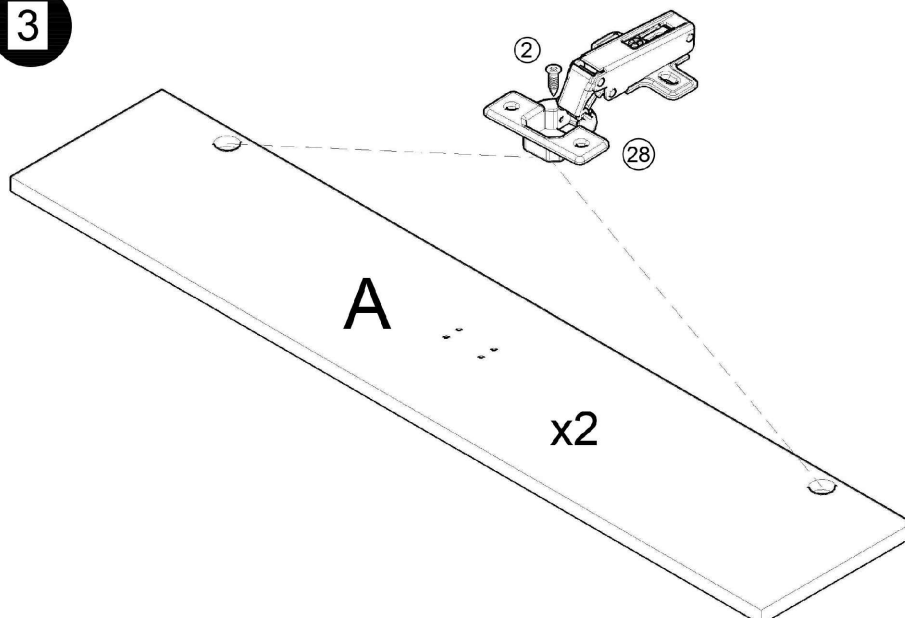
# CANES

JX-0102-2

2



3

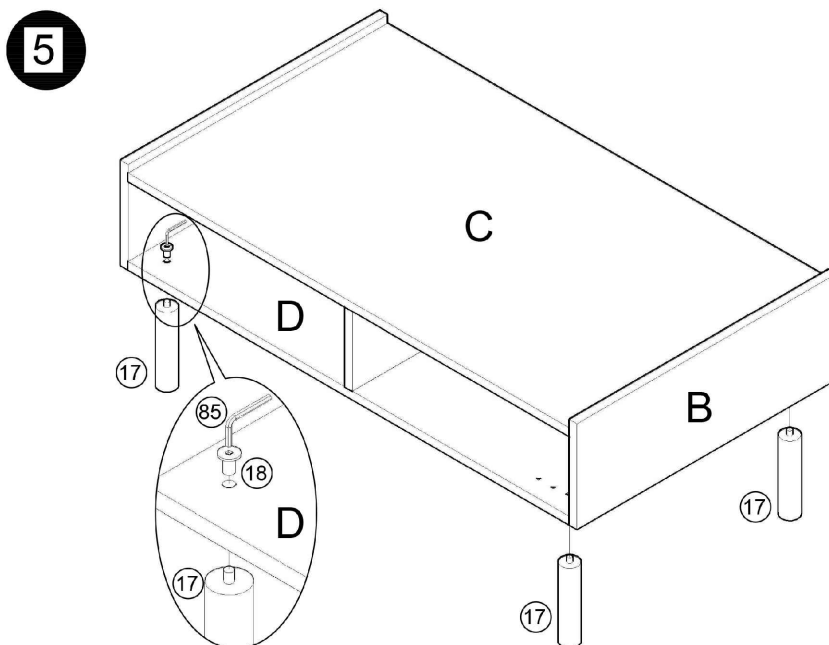
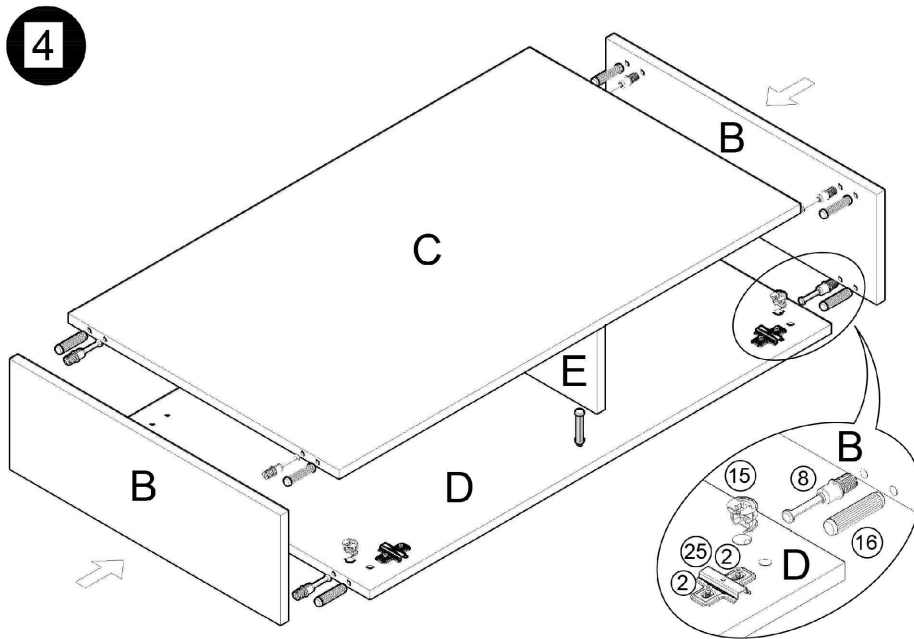




# BANAK

# CANES

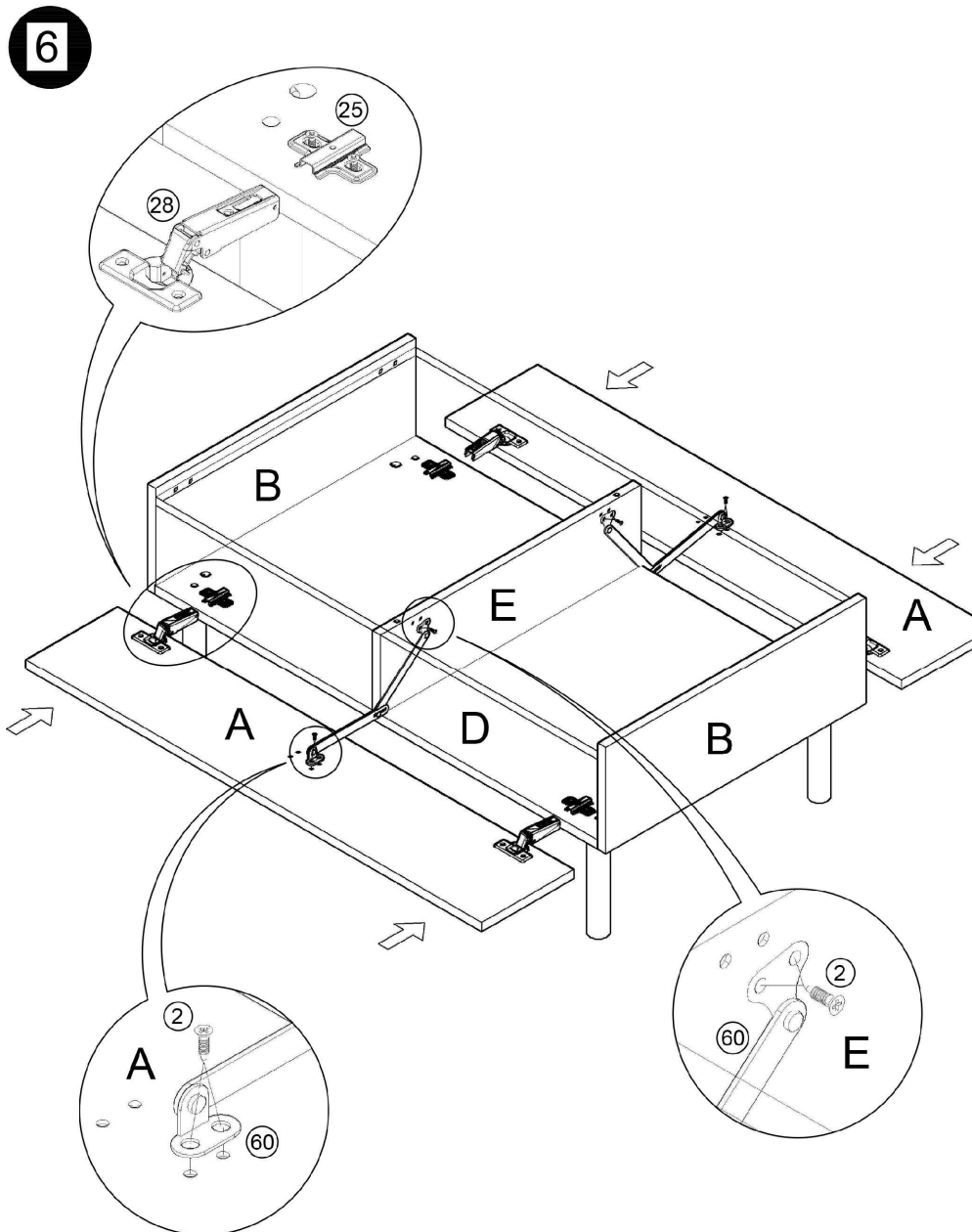
JX-0102-2



# BANAK

# CANES

JX-0102-2



# BANAK

# CANES

JX-0102-2

