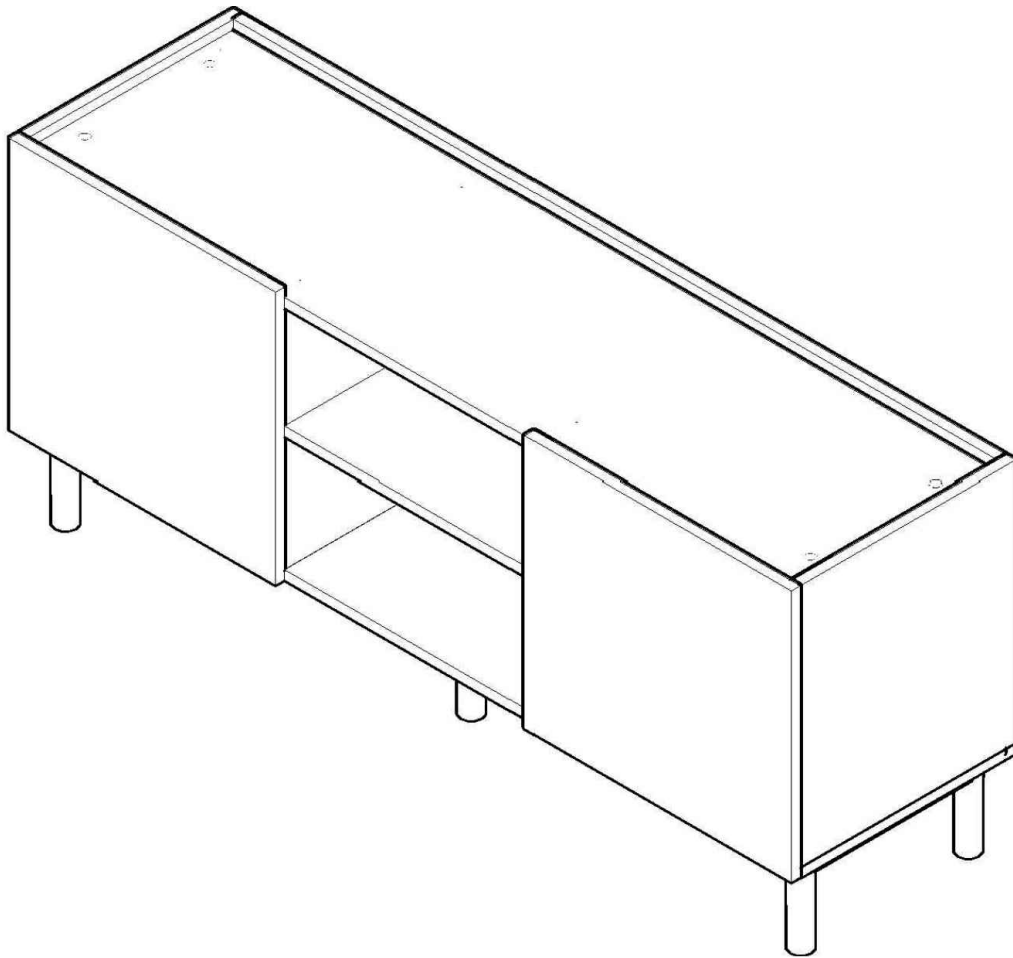


BANAK

CANES

JX-0103-2



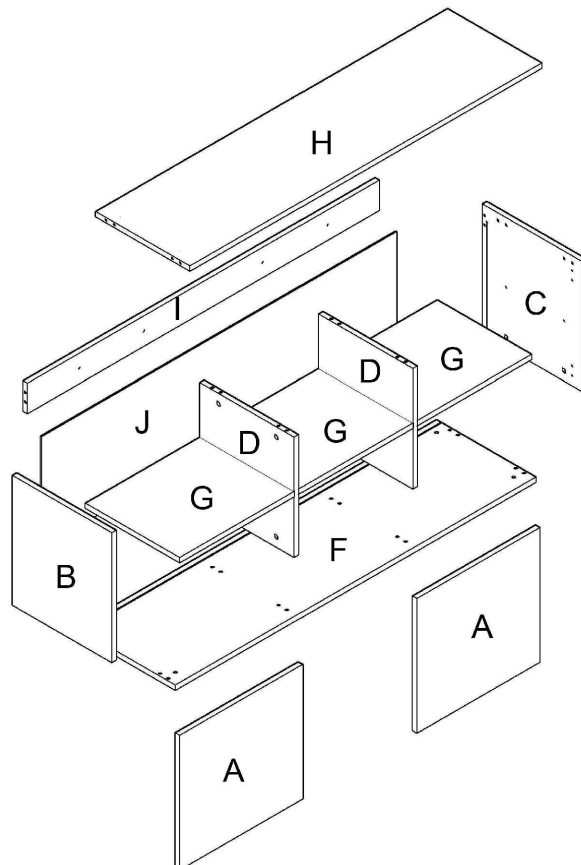
BANAK

CANES

JX-0103-2



1H:10MN



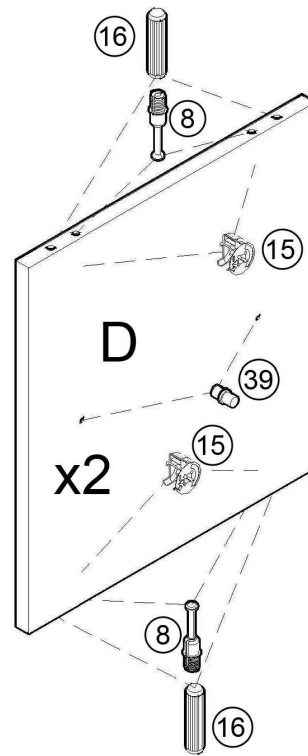
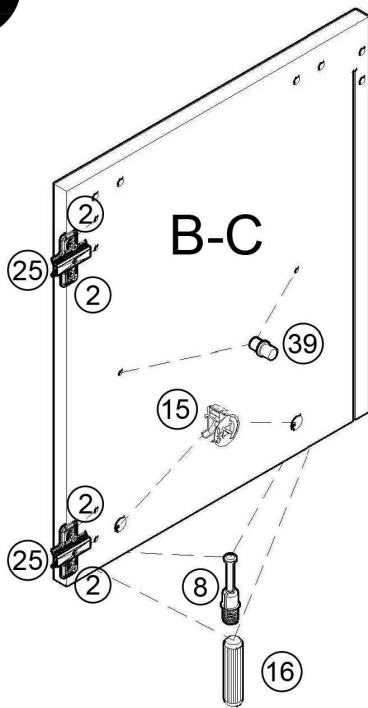
A	x2	475 x 450 x 16	F	1395 x 384 x 16	J	1373 x 370 x 3
B		384 x 434 x 16	G	x3	443 x 364 x 16	
C		384 x 434 x 16	H		1361 x 361 x 16	
D	x2	364 x 402 x 16	I		1361 x 100 x 16	

BANAK

CANES

JX-0103-2

1

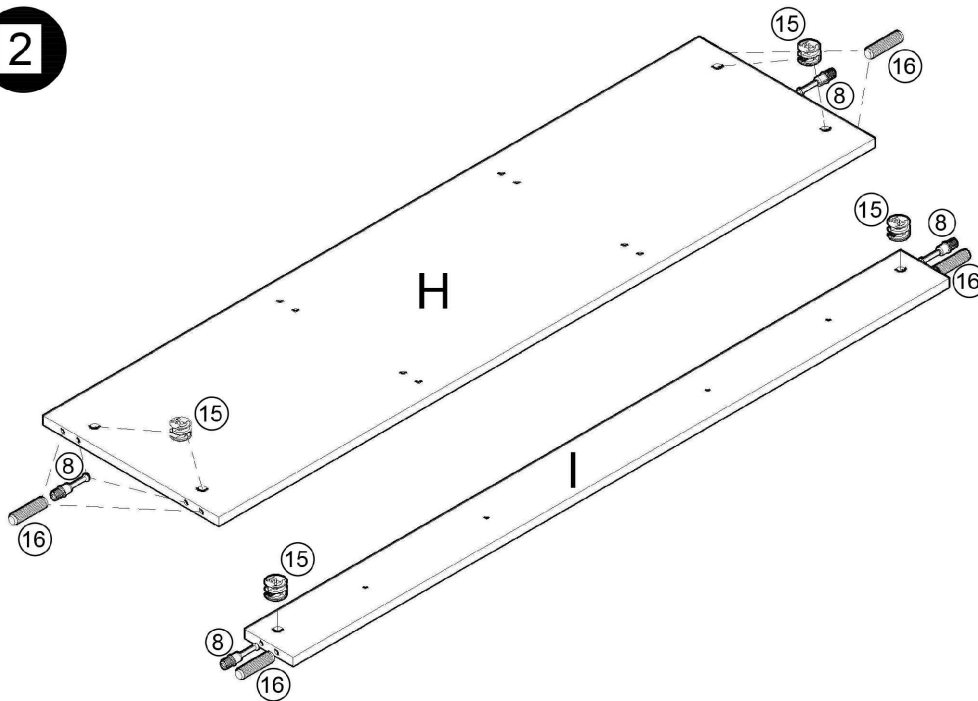


BANAK

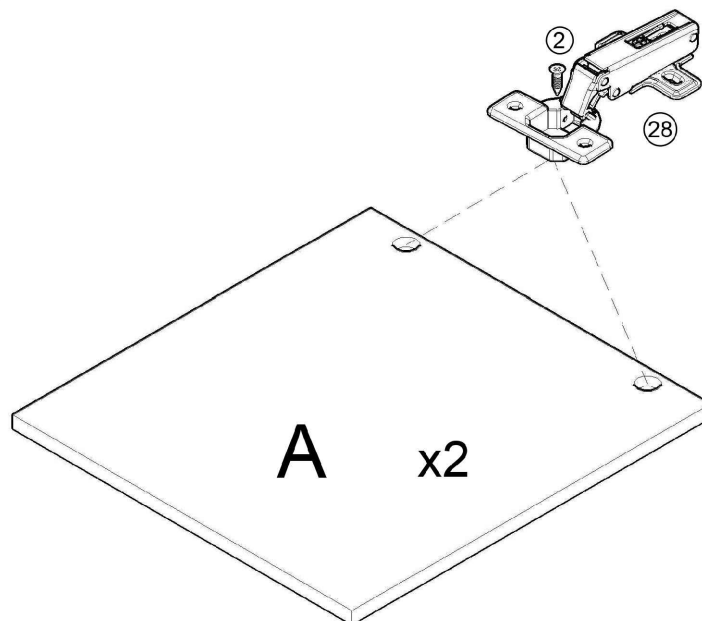
CANES

JX-0103-2

2



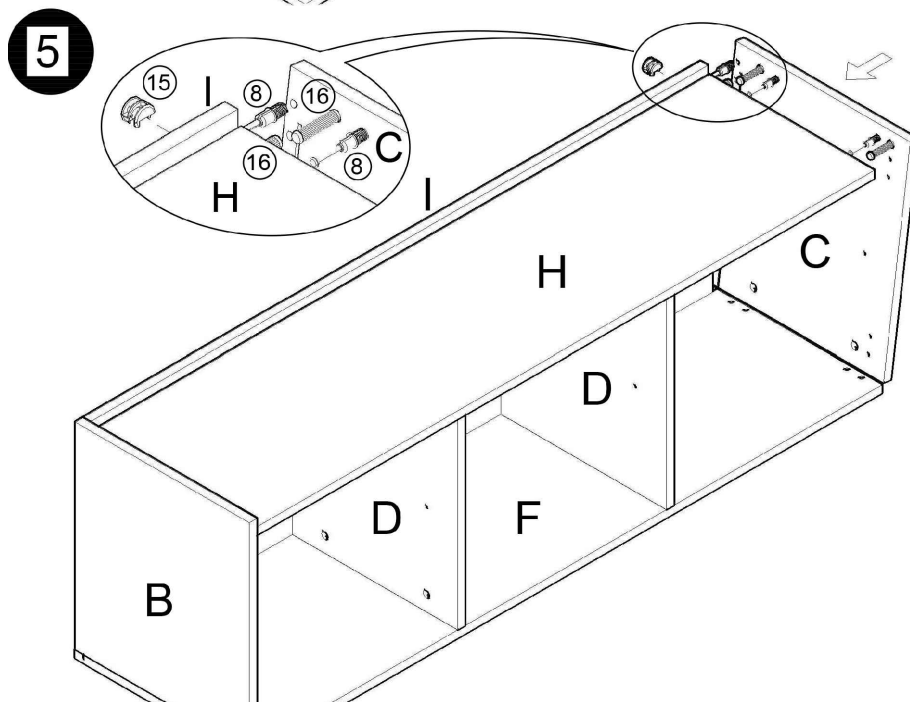
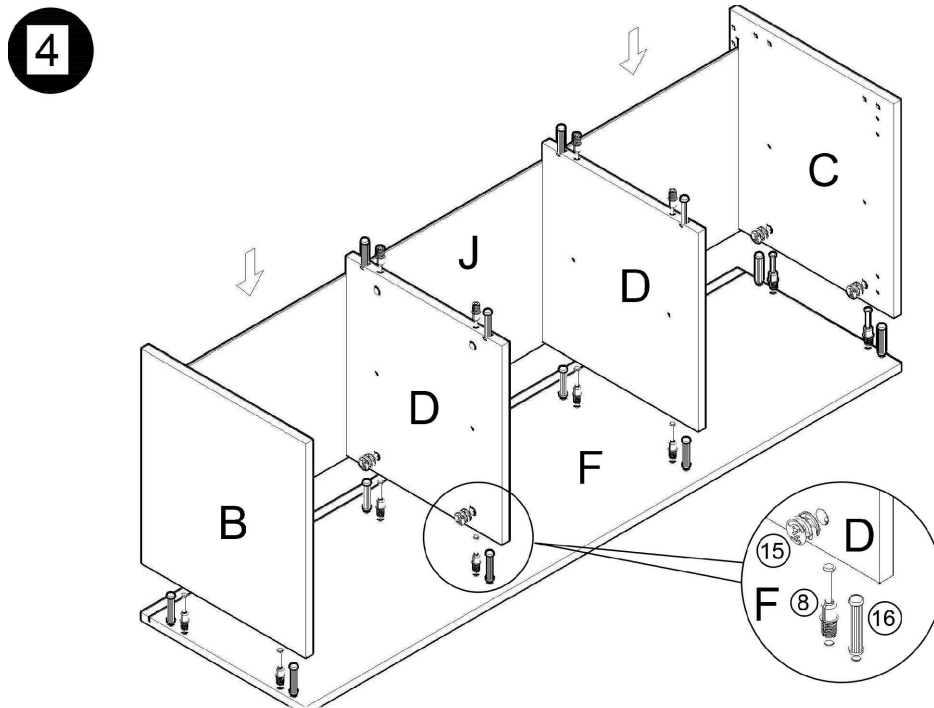
3



BANAK

CANES

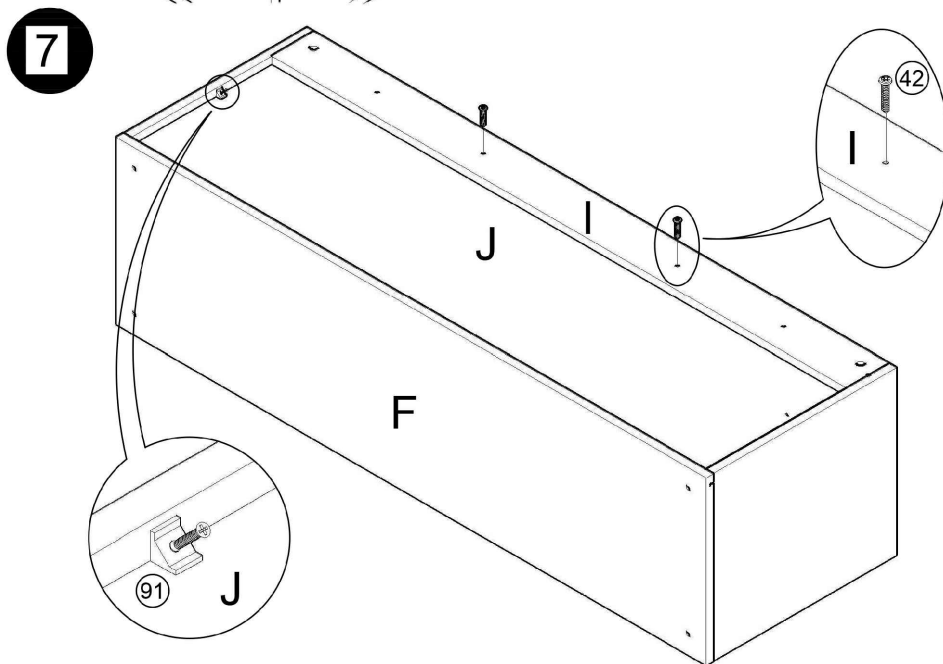
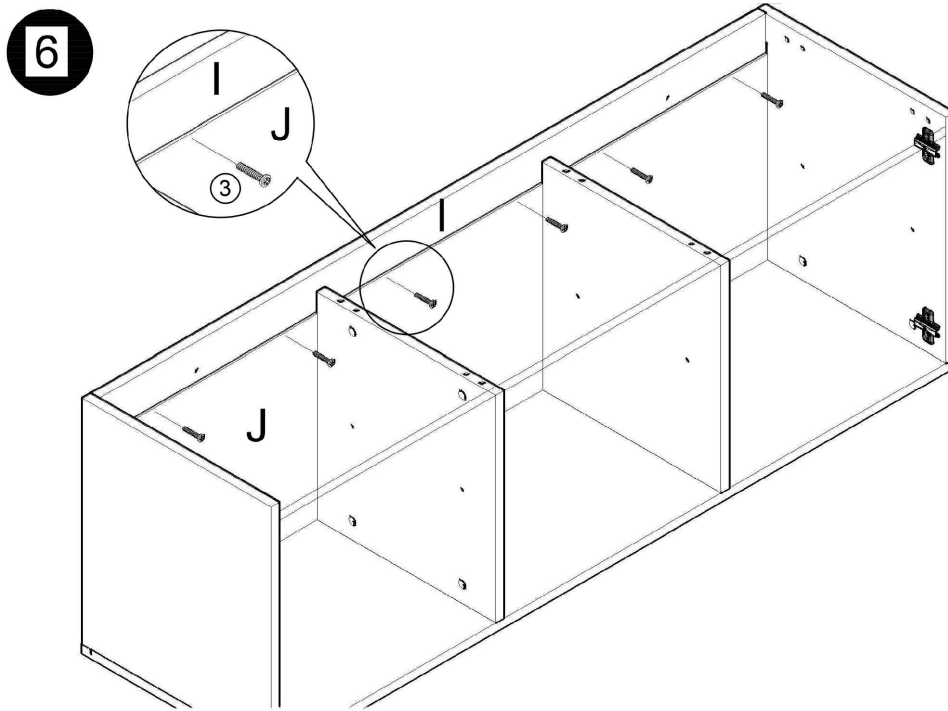
JX-0103-2



BANAK

CANES

JX-0103-2



BANAK

CANES

JX-0103-2

