

BANAK

WAYNE

JX-0260

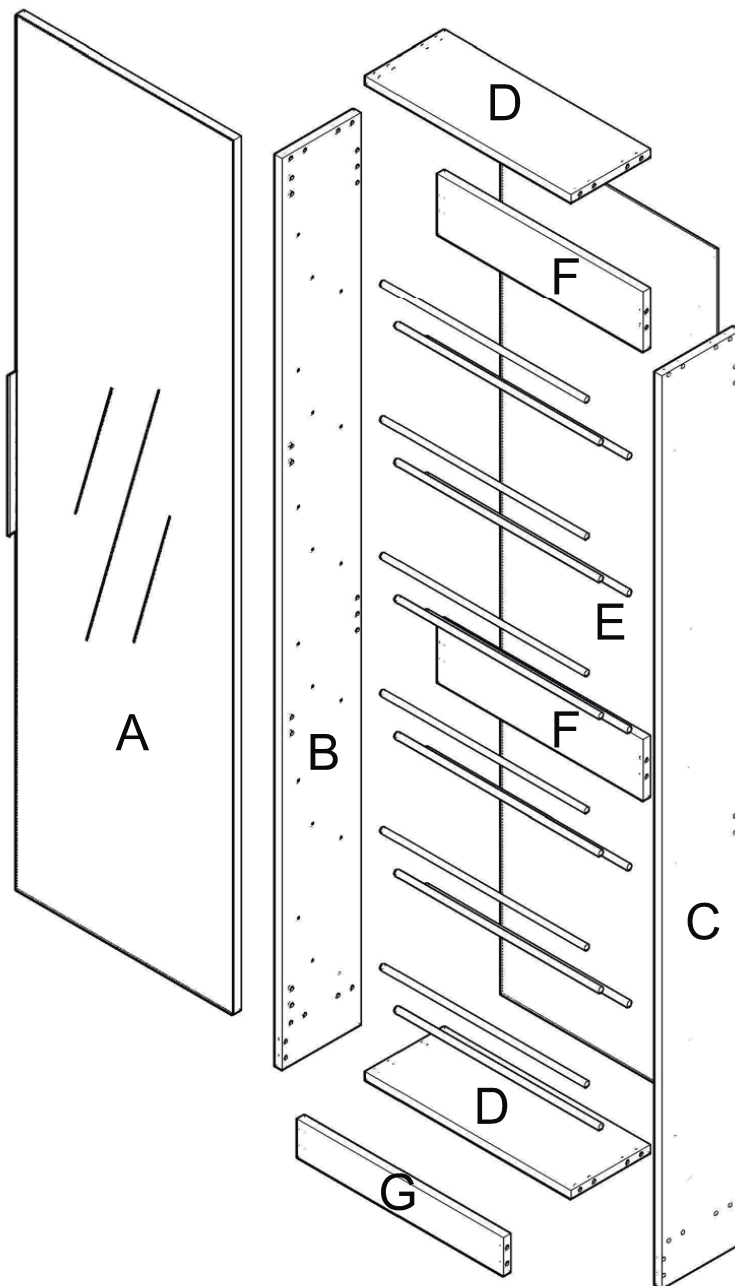


BANAK

WAYNE

JX-0260









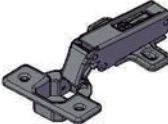


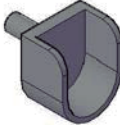
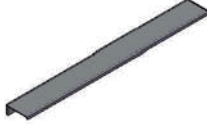

A	5EA5A002	1725 x 494 x 16	E	MTB3031	1724 x 492 x 3			
B	1LA9333I	1800 x 180 x 16	F	1VA8721	468 x 120 x 16			
C	1LA9333D	1800 x 180 x 16	G	1ZA8259	468 x 75 x 16			
D	1SI9080	468 x 180 x 16						



BANAK

WAYNE

~~XX-0260~~

<p>②</p>  <p>x16</p> <p>MTR0420 3,5x15</p>	<p>③</p>  <p>x24</p> <p>MTR0610 3x20</p>	<p>⑧</p>  <p>x12</p> <p>MTR0715</p>
<p>⑮</p>  <p>x12</p> <p>MTR0720</p>	<p>⑮</p>  <p>x20</p> <p>MVA0090</p>	<p>⑰</p>  <p>x4</p> <p>MTA0020</p>
<p>⑳</p>  <p>x4</p> <p>MTA0010</p>	<p>⑳</p>  <p>x4</p> <p>MBB0410</p>	<p>⑳</p>  <p>x4</p> <p>MBB0269</p>
<p>⑳</p>  <p>x4</p> <p>MTR0150 4,5x50</p>	<p>⑳</p>  <p>x4</p> <p>MVA1736</p>	<p>⑳</p>  <p>x34</p> <p>MVA1488</p>
<p>⑳</p>  <p>x1</p> <p>MPM2080</p>	<p>⑳</p>  <p>x17</p> <p>MBC0301</p>	

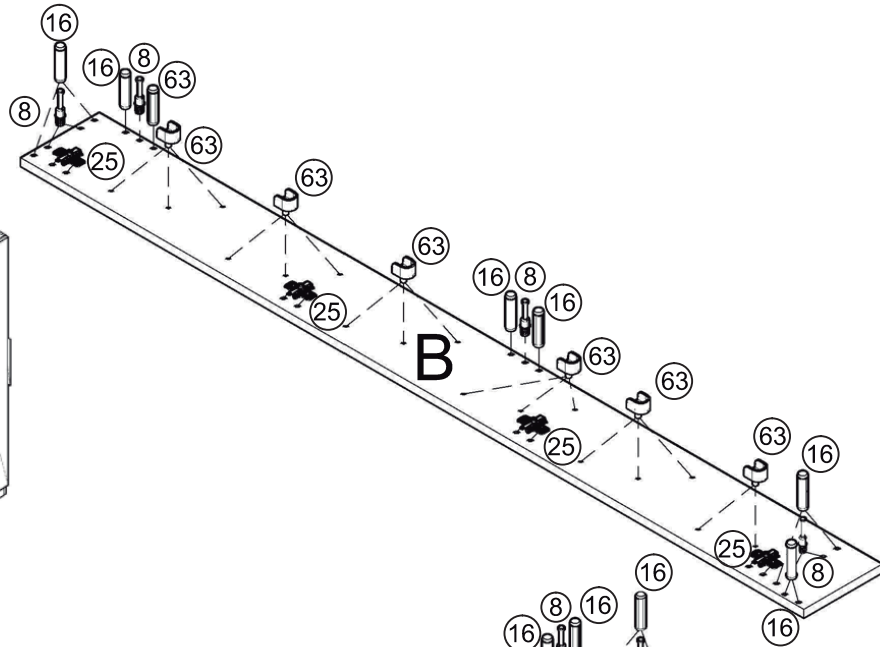
BANAK

WAYNE

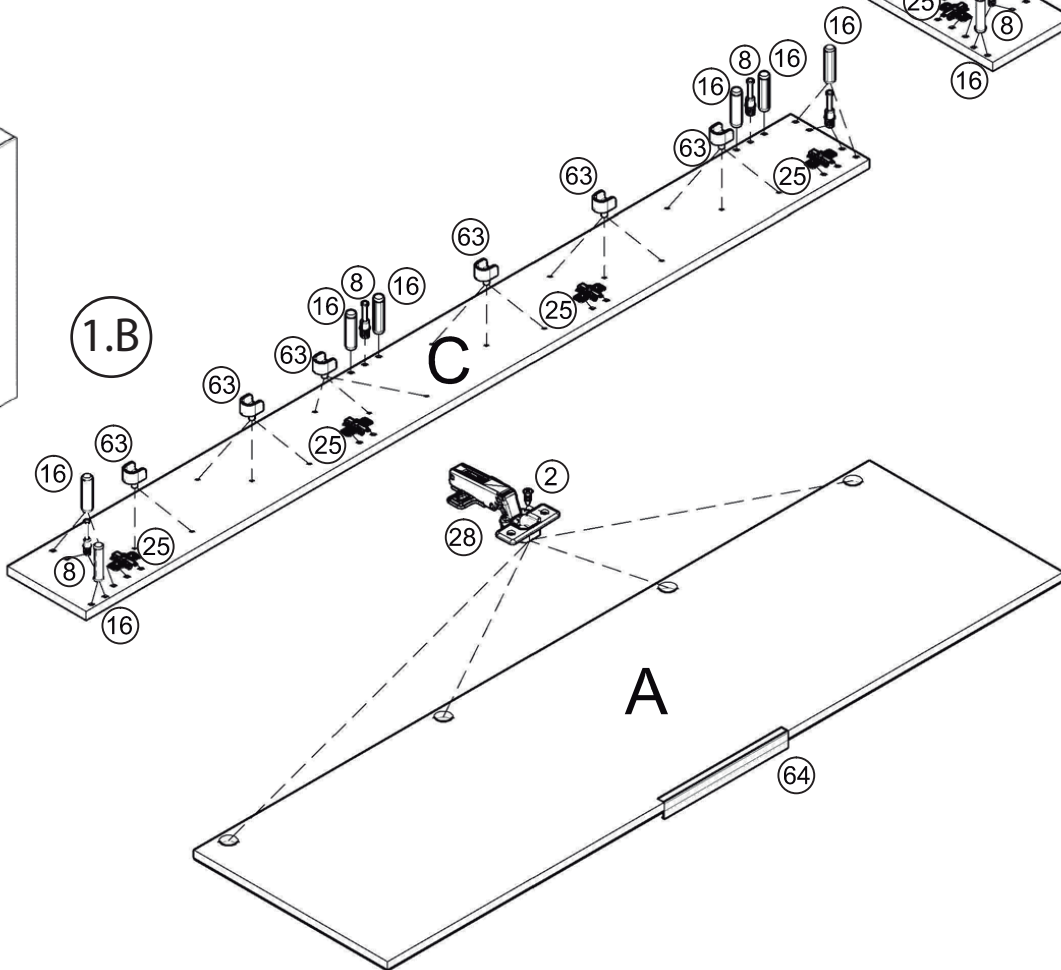
JX-0260

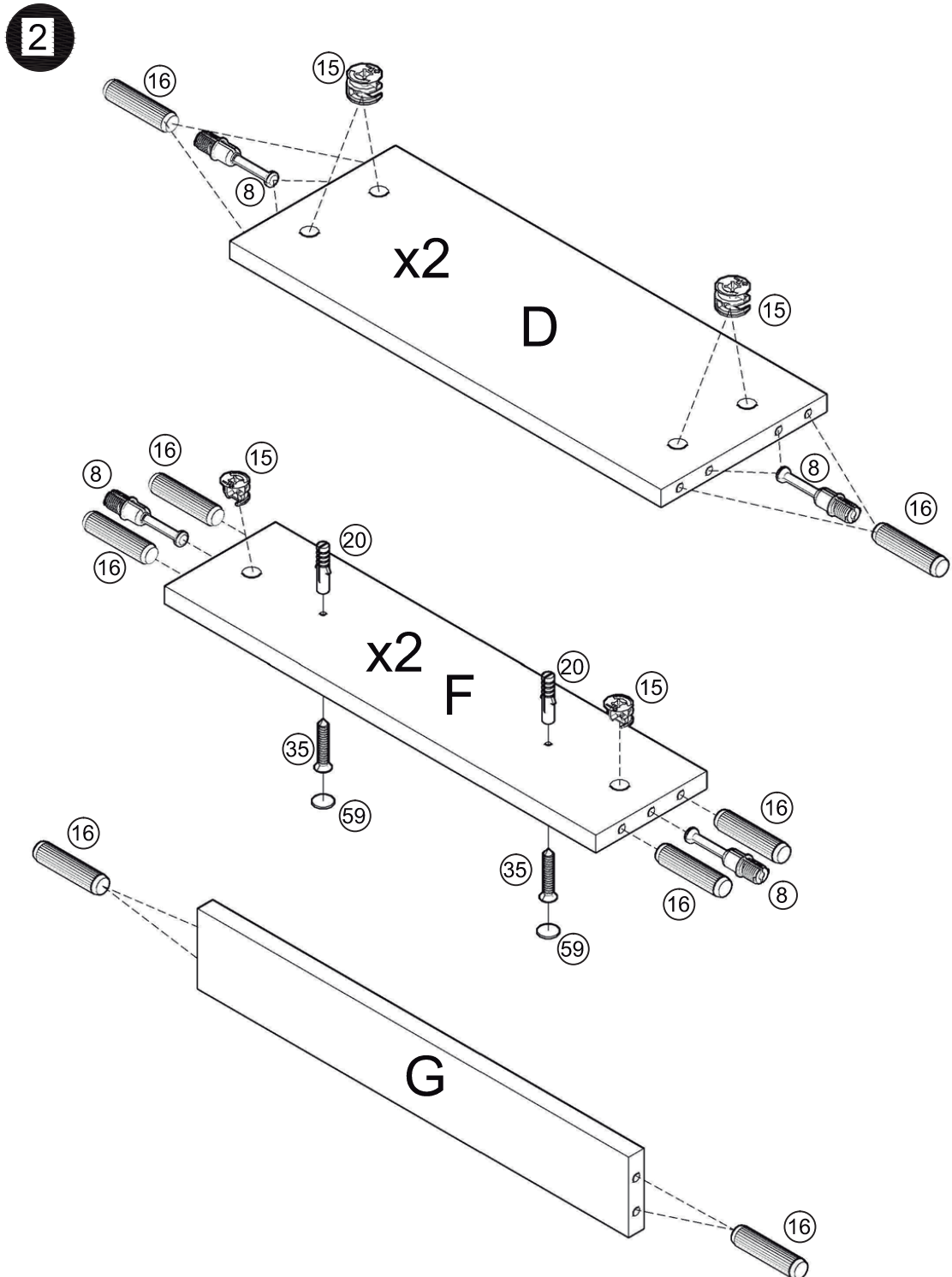
1

1.A



1.B



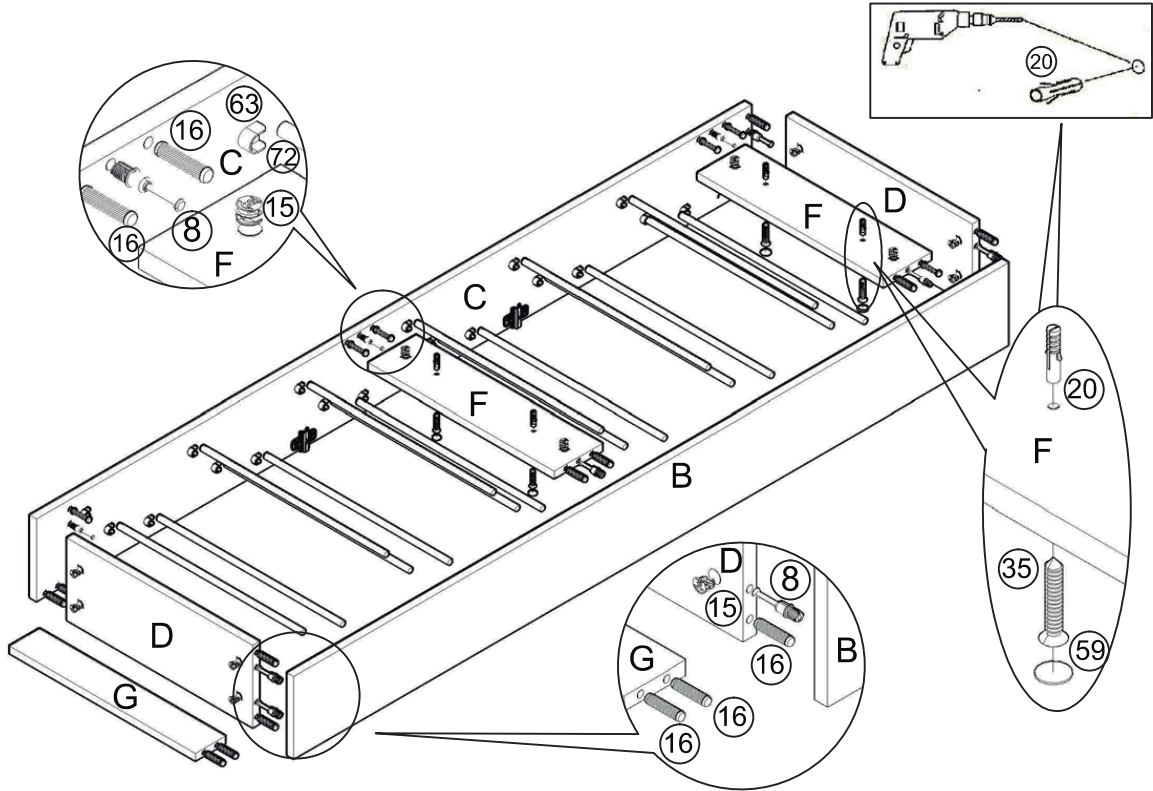


BANAK

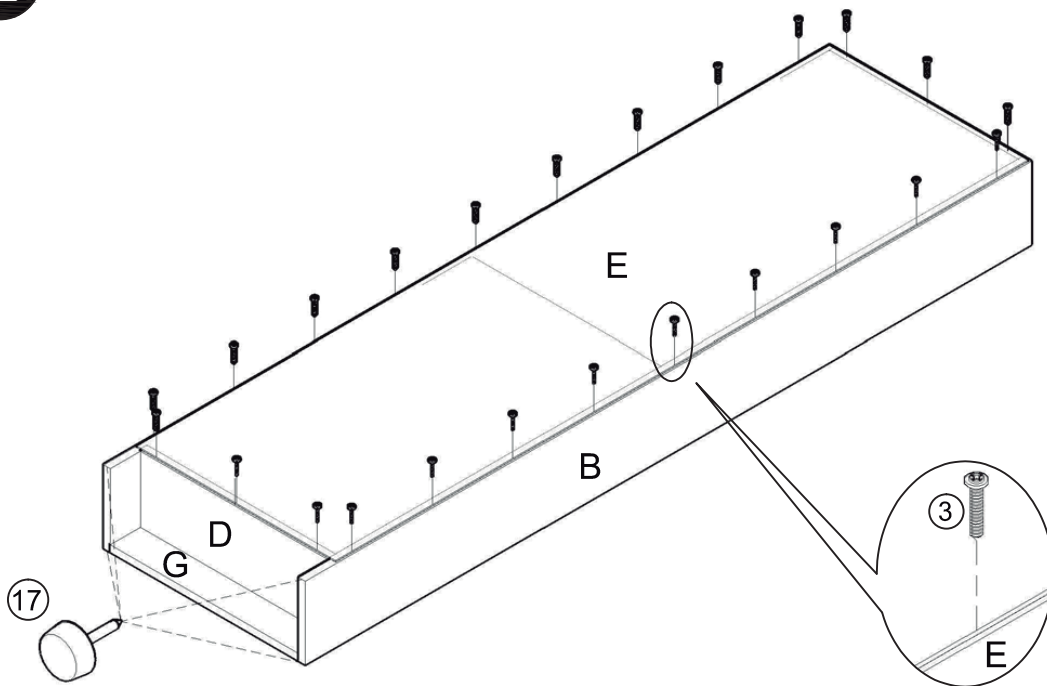
WAYNE

JX-0260

3



4



BANAK

WAYNE

JX-0260

