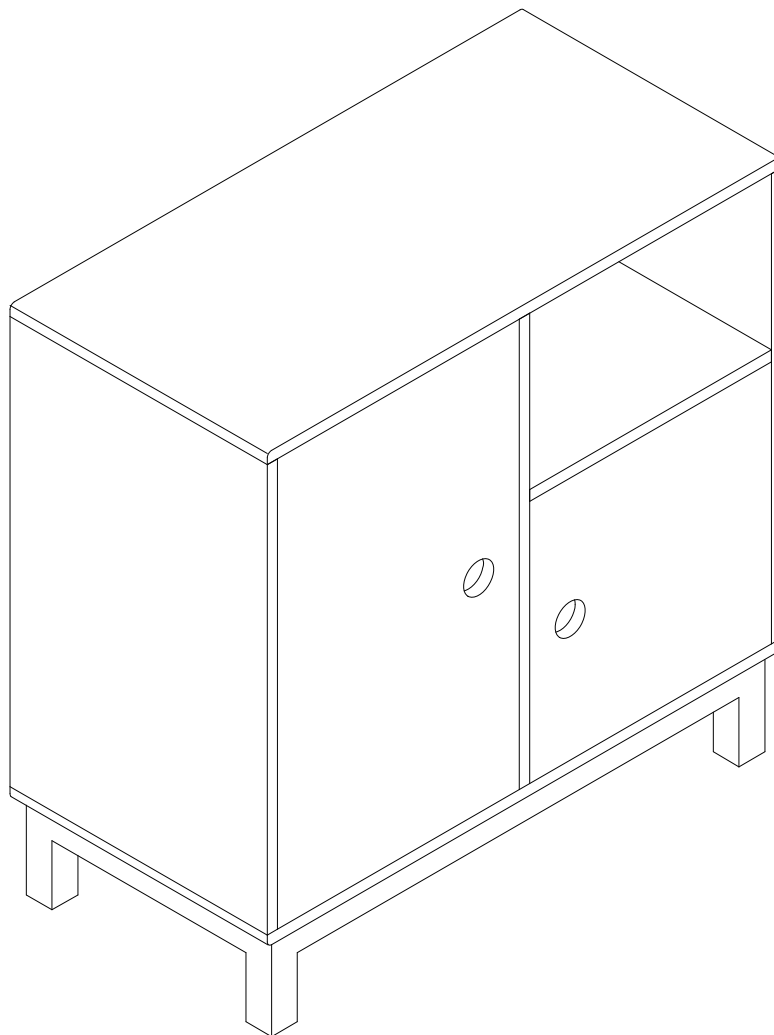


# BANAK

# KADI

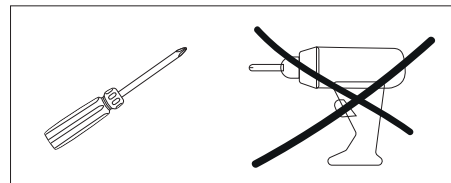
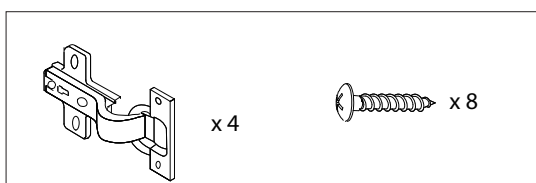
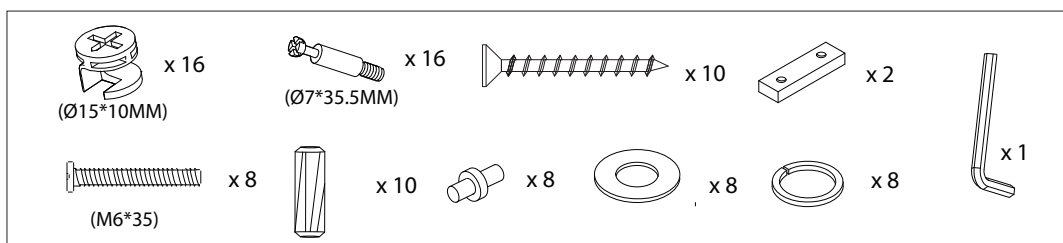
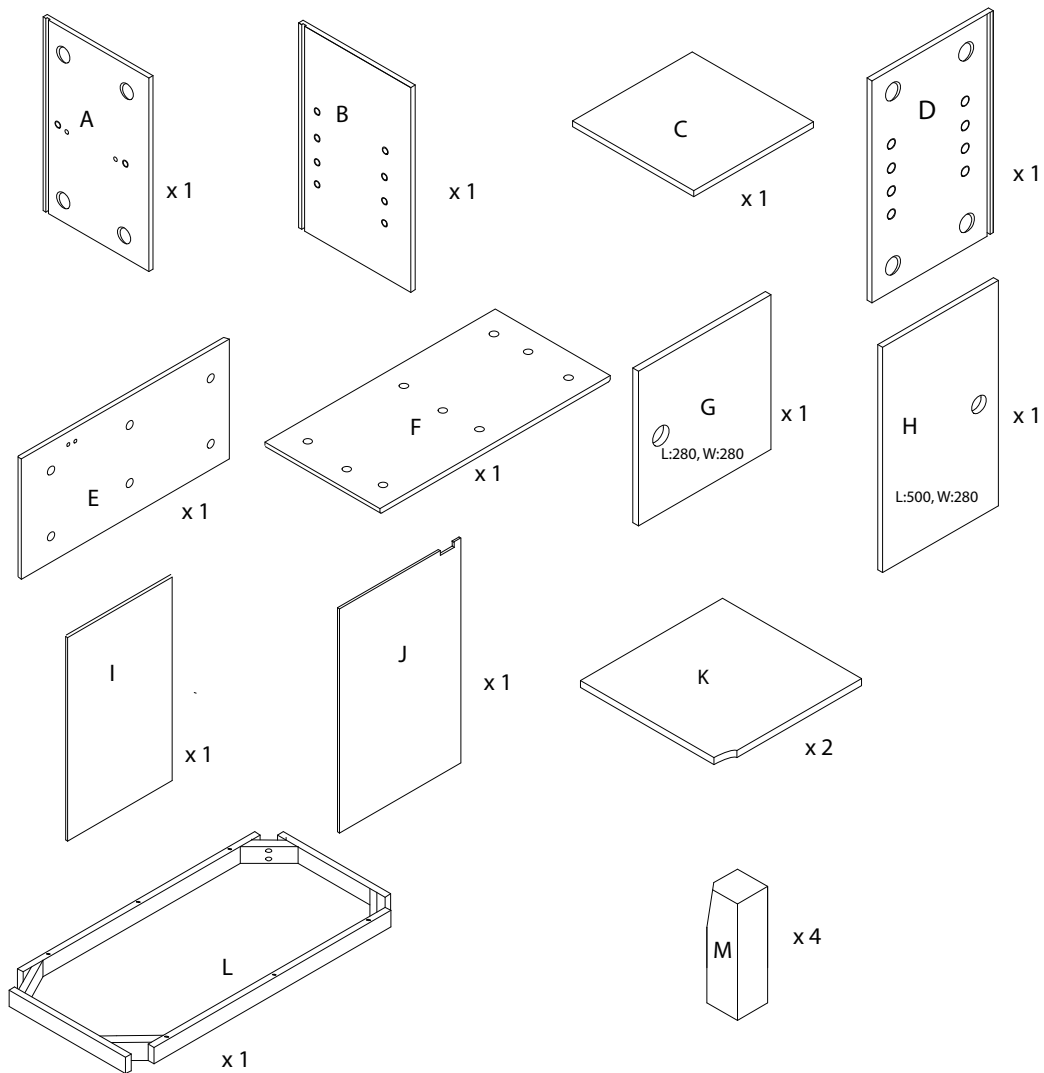
KCP-0012



# BANAK

# KADI

KCP-0012

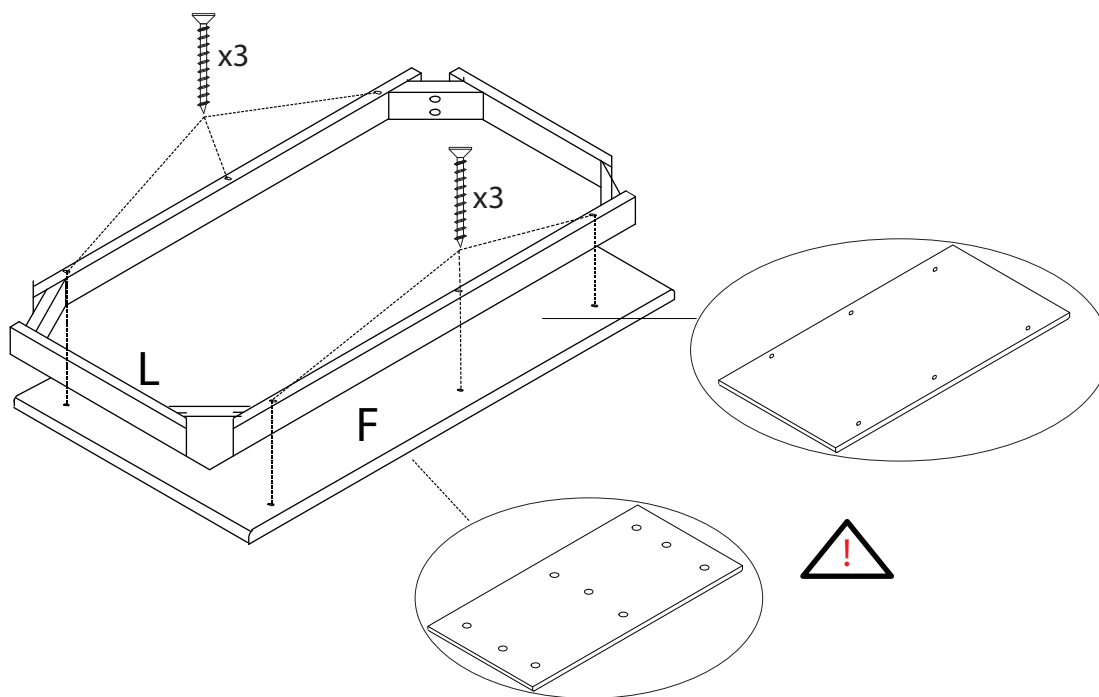


# BANAK

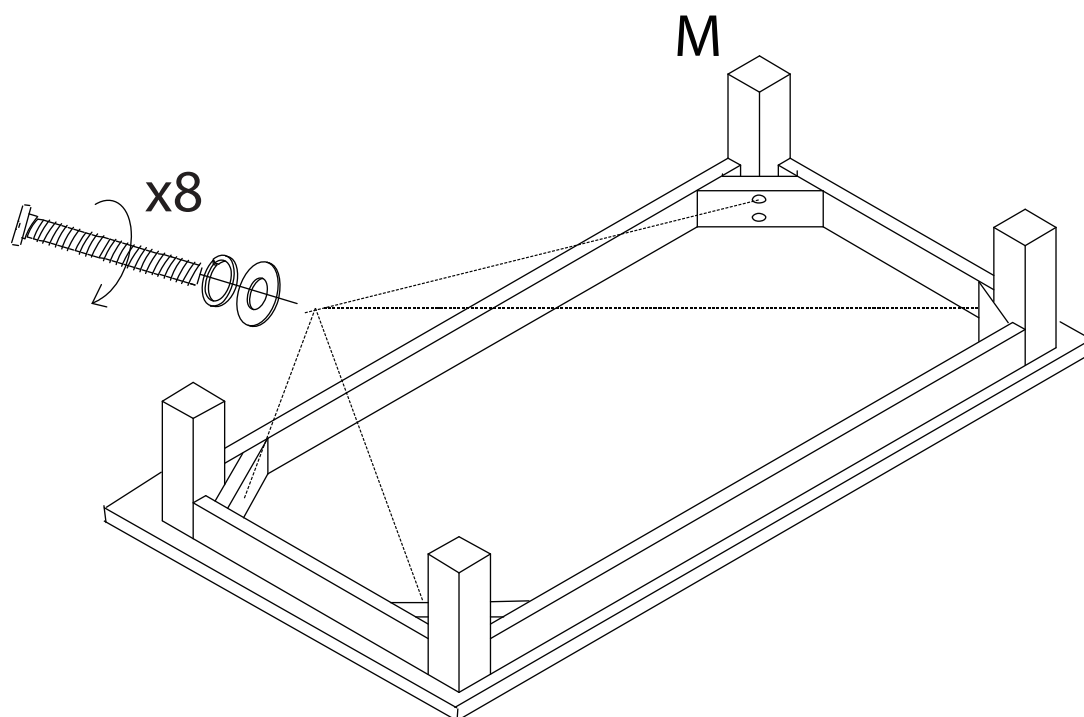
# KADI

KCP-0012

1



2

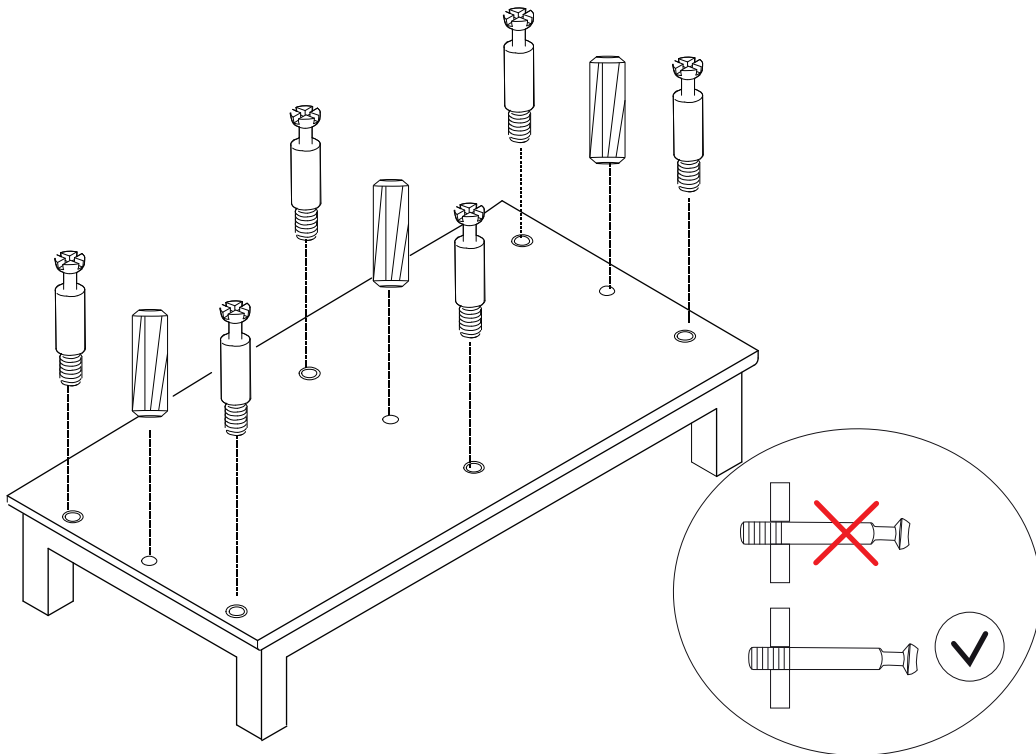


# BANAK

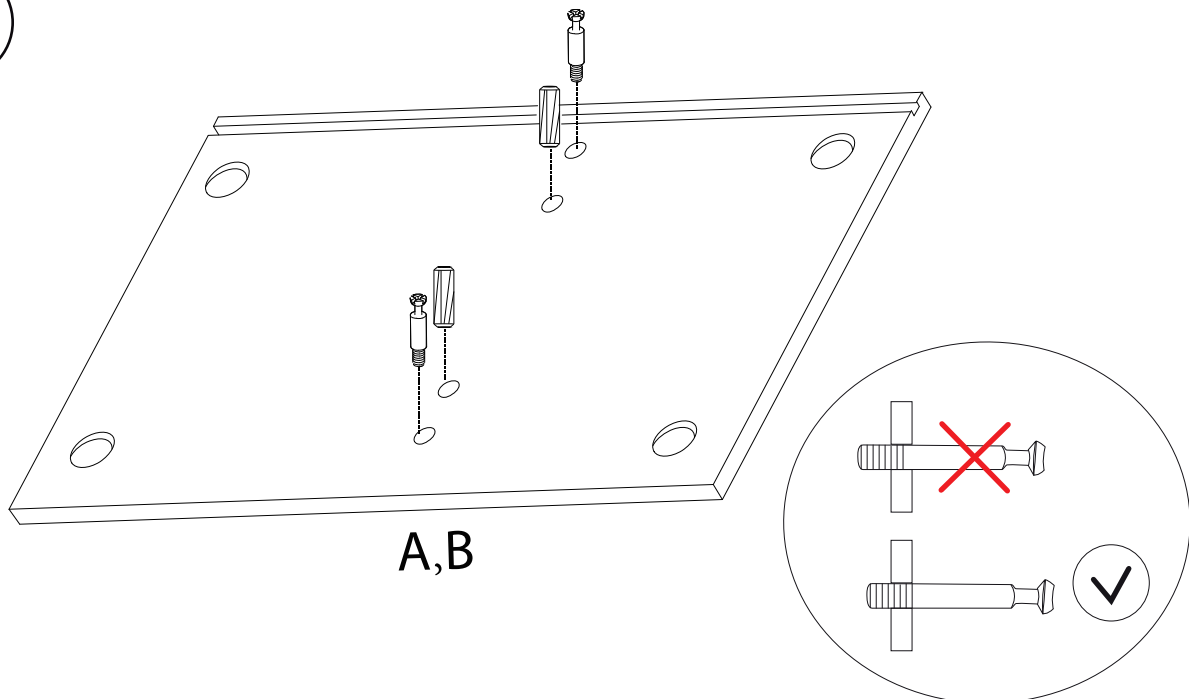
# KADI

KCP-0012

3



4

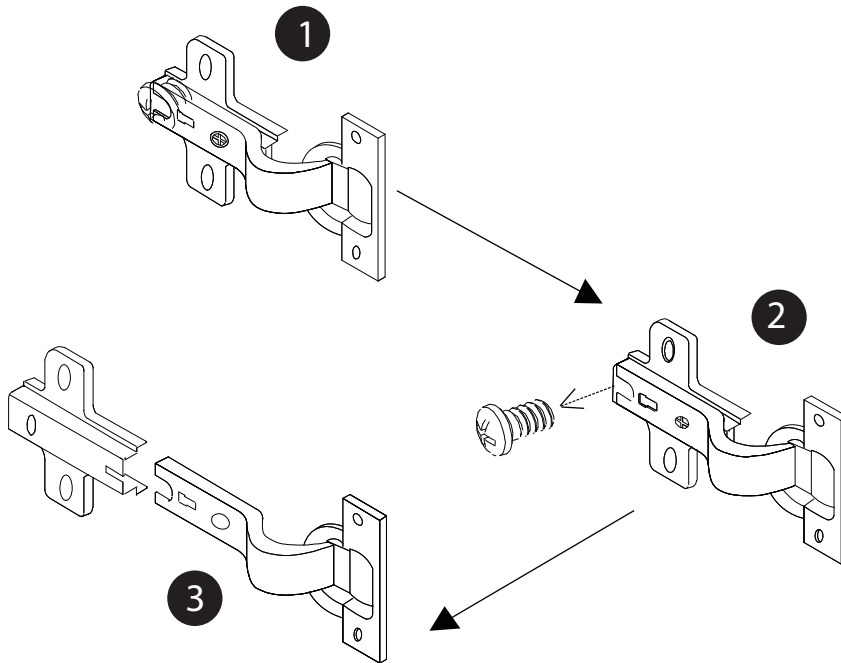


# BANAK

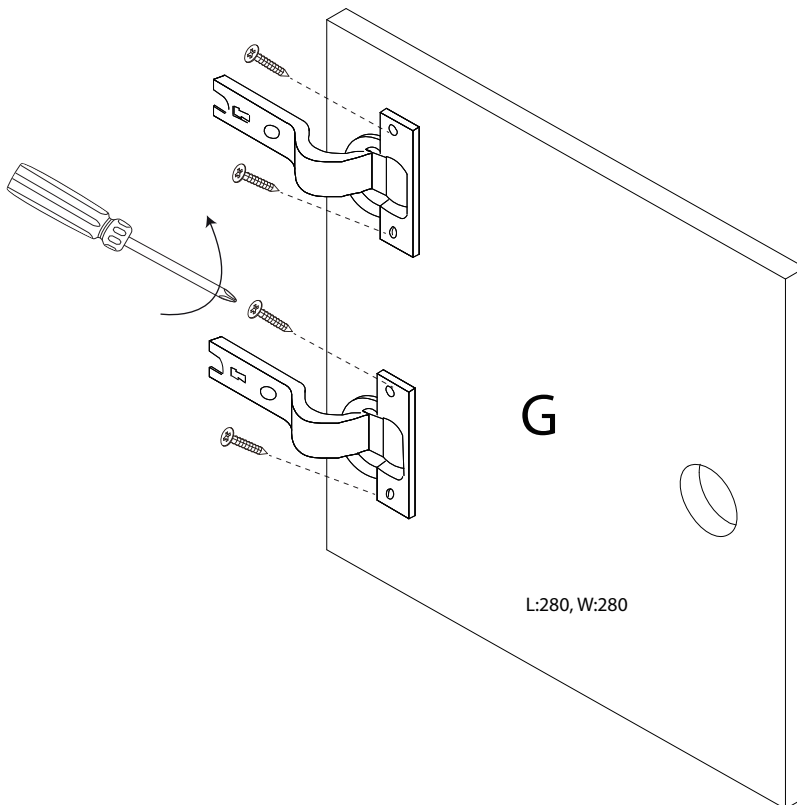
# KADI

KCP-0012

5



6

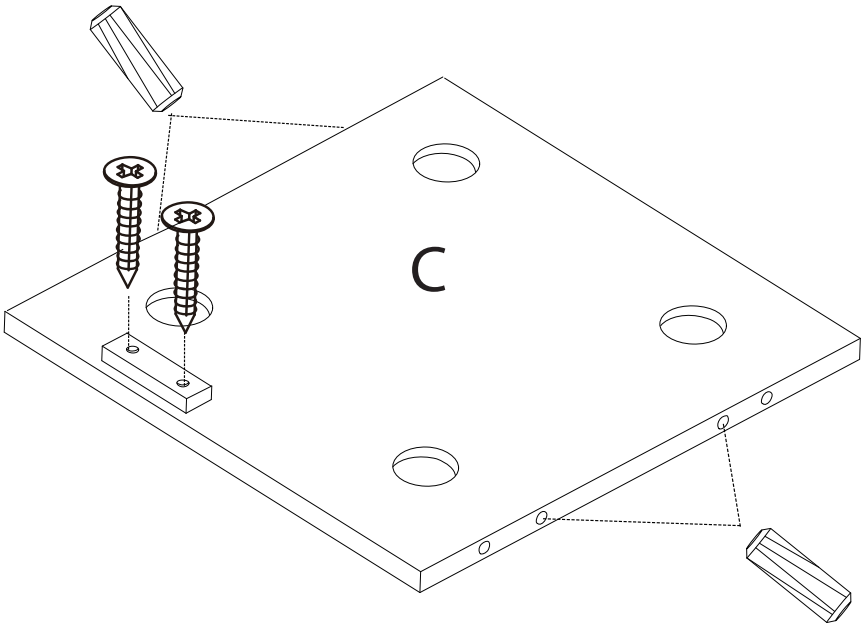


# BANAK

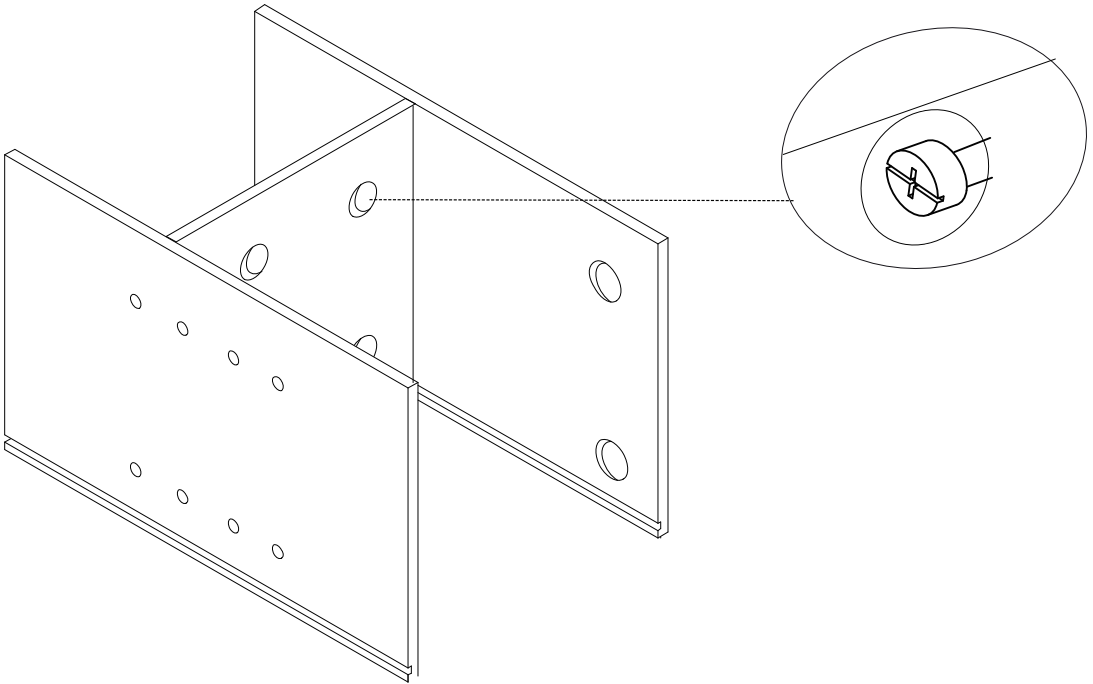
# KADI

KCP-0012

7



8

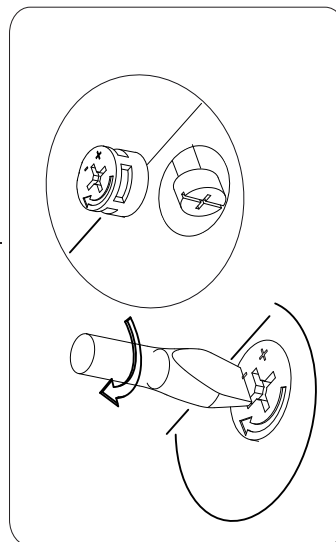
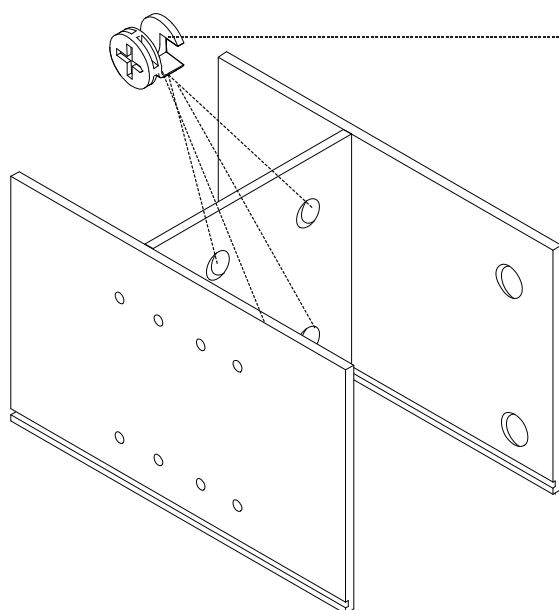


# BANAK

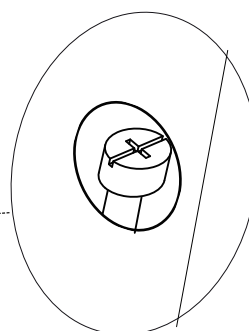
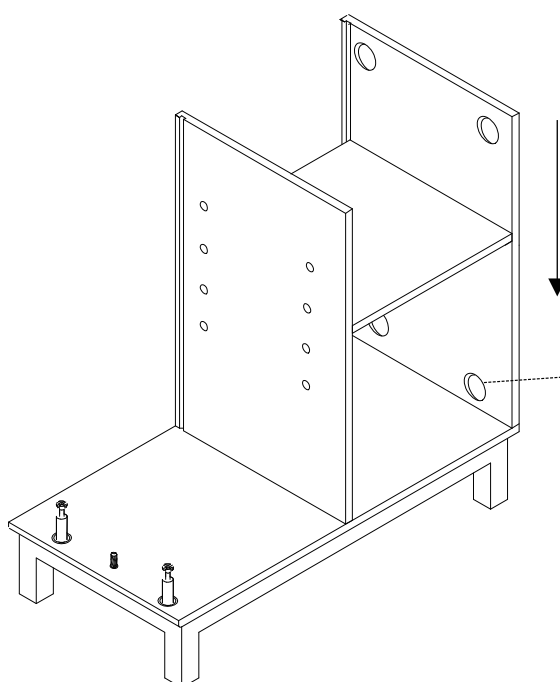
# KADI

KCP-0012

9



10

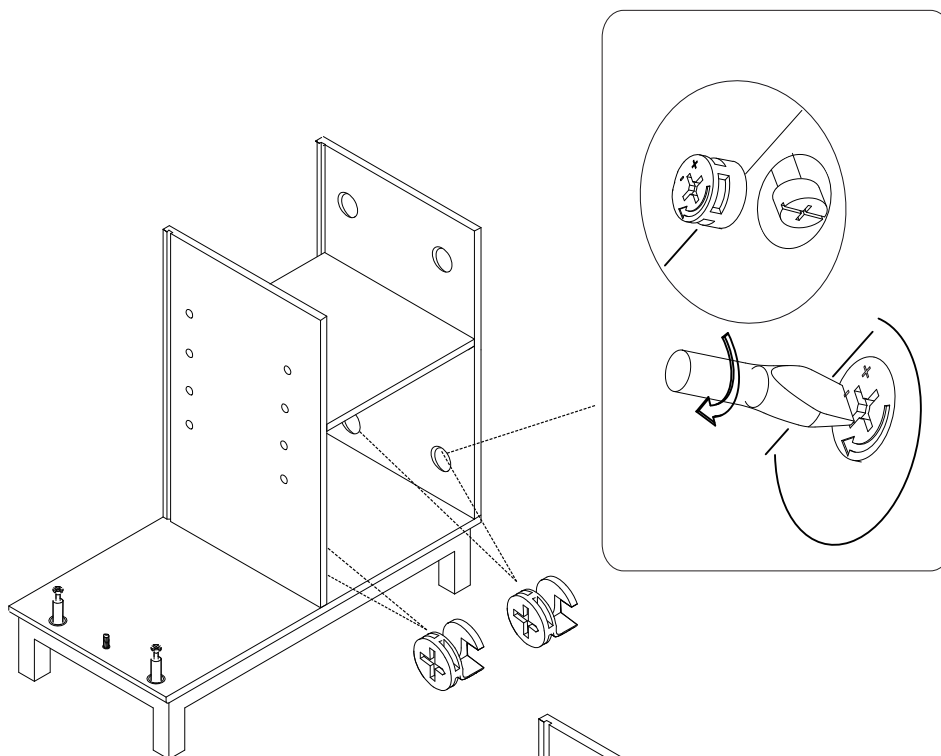


# BANAK

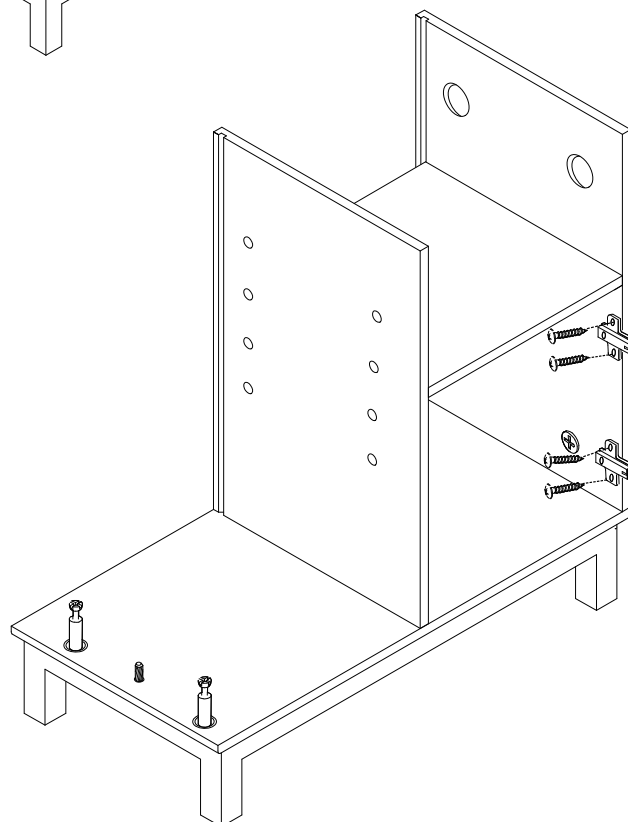
# KADI

KCP-0012

11



12



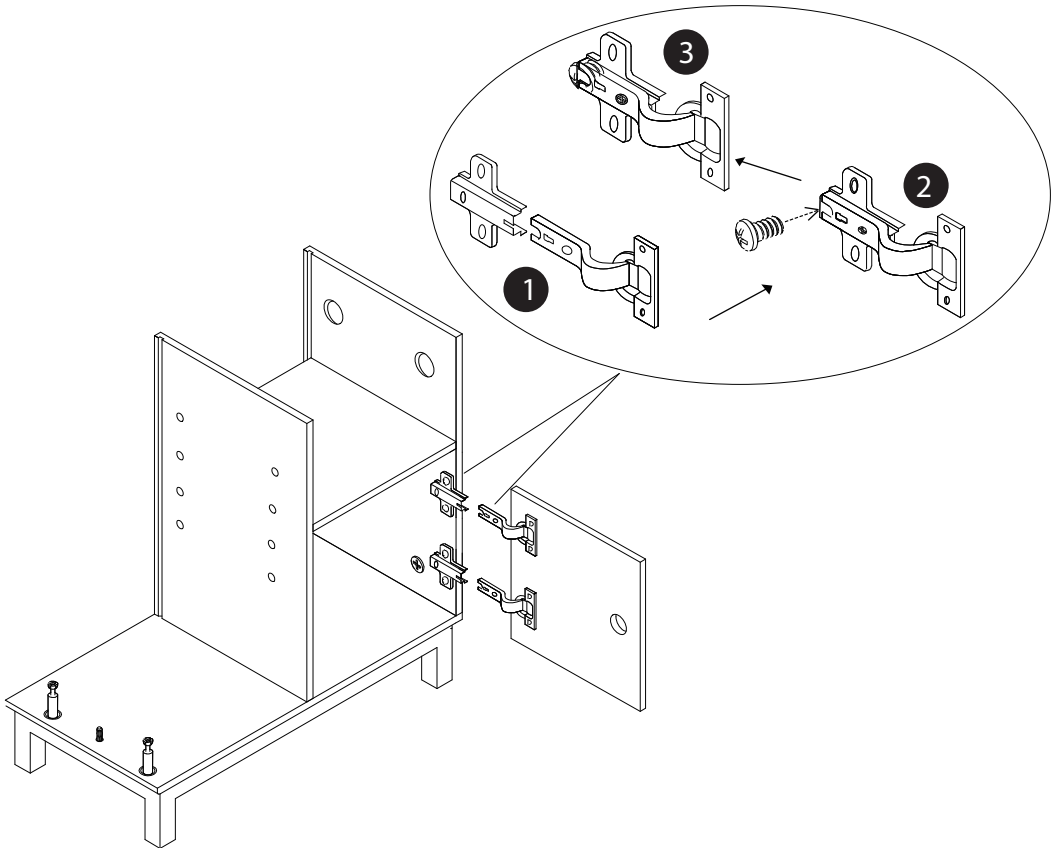


# BANAK

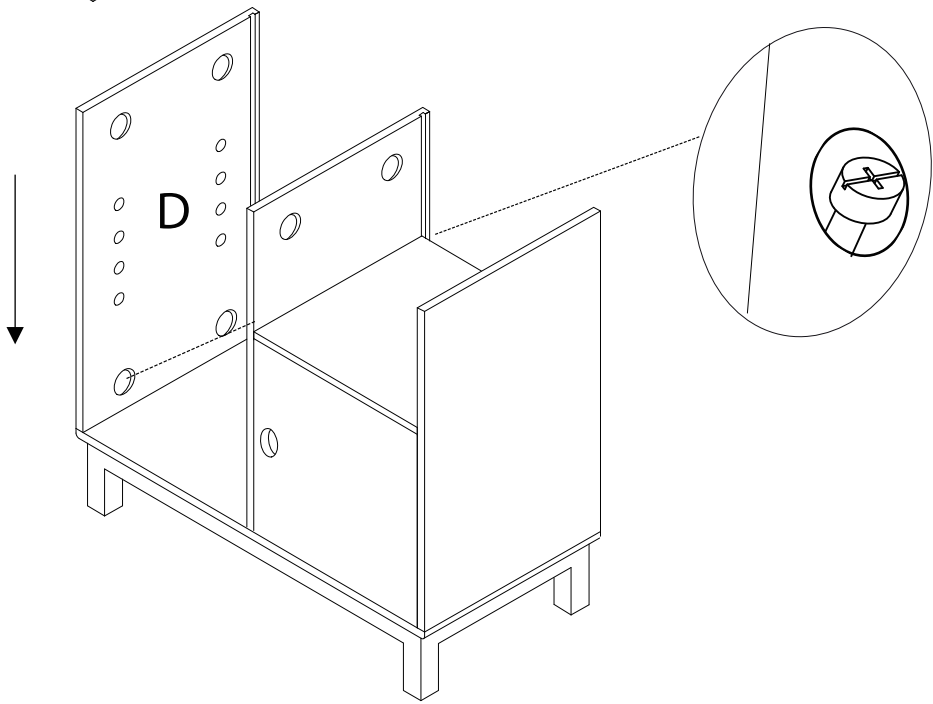
# KADI

KCP-0012

13



14

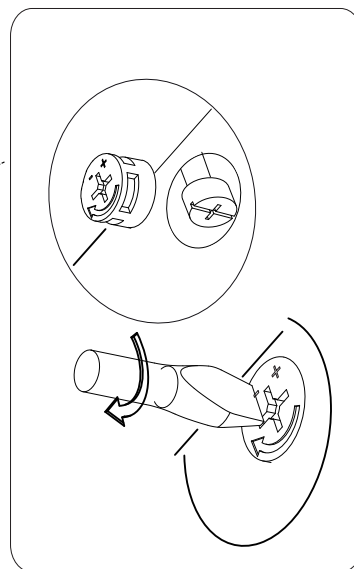
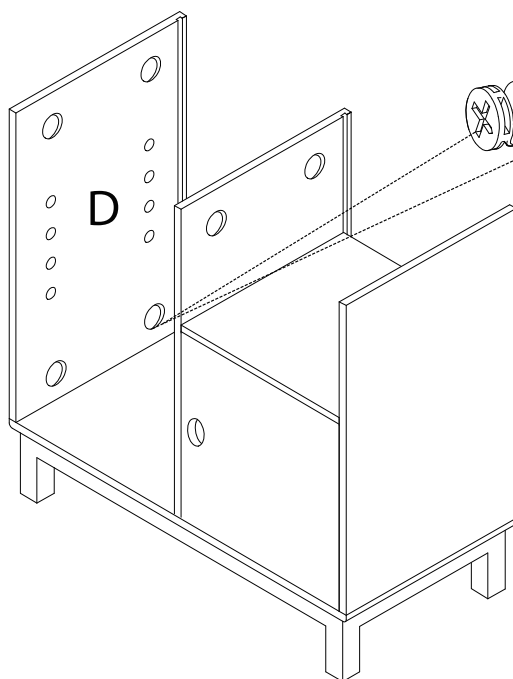


# BANAK

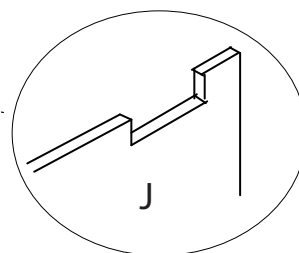
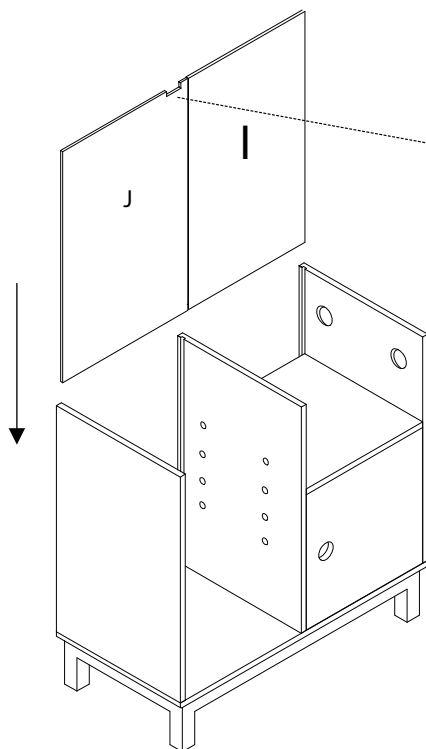
# KADI

KCP-0012

15



16

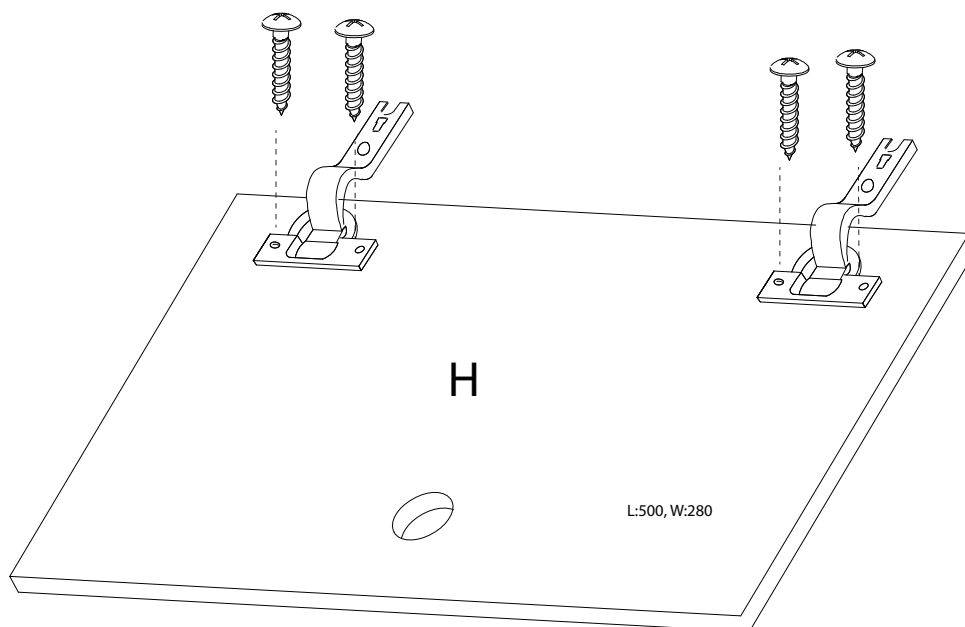


# BANAK

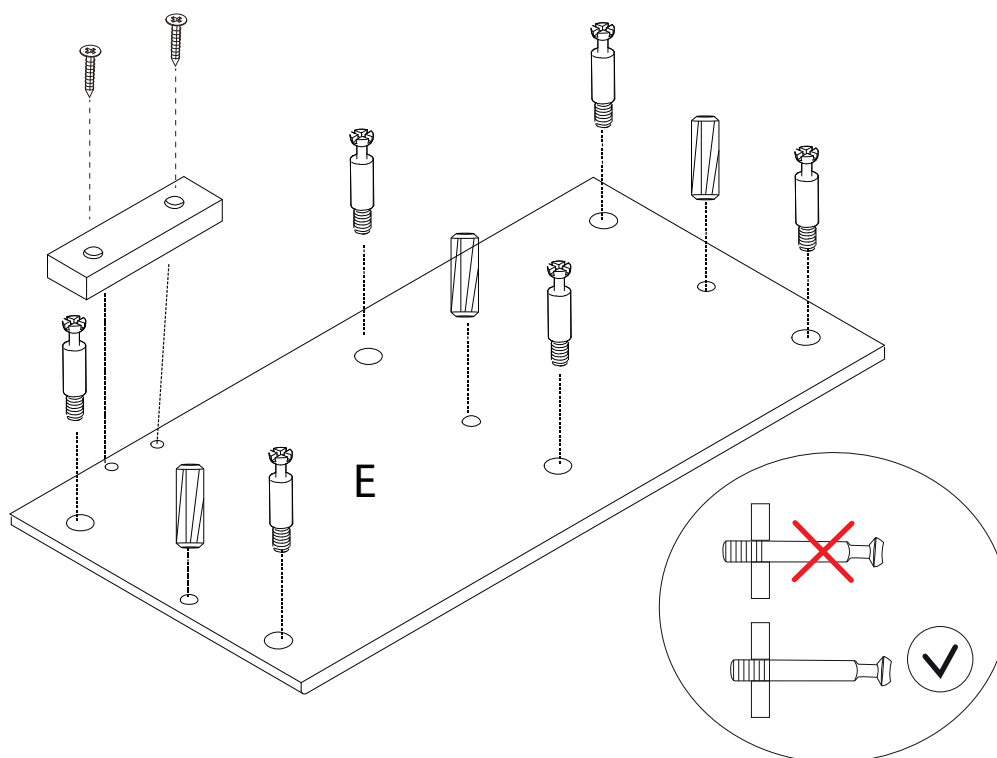
# KADI

KCP-0012

17



18

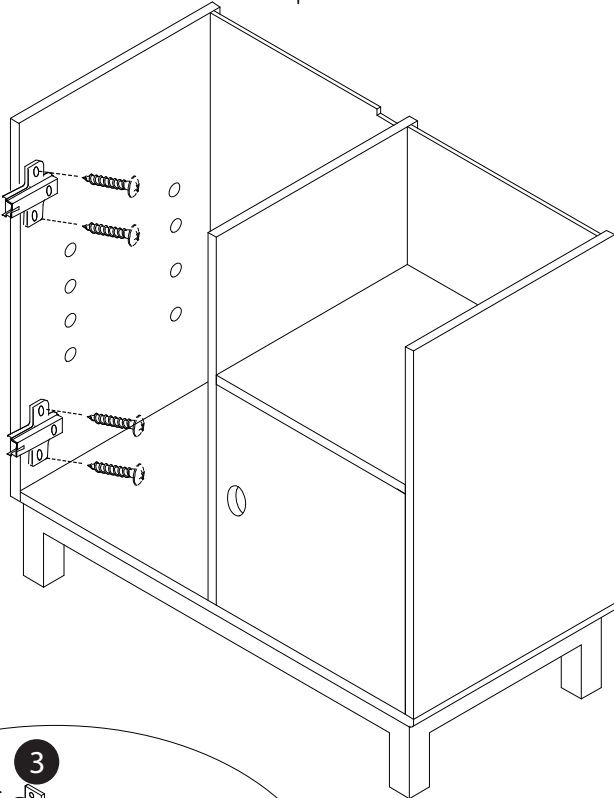


# BANAK

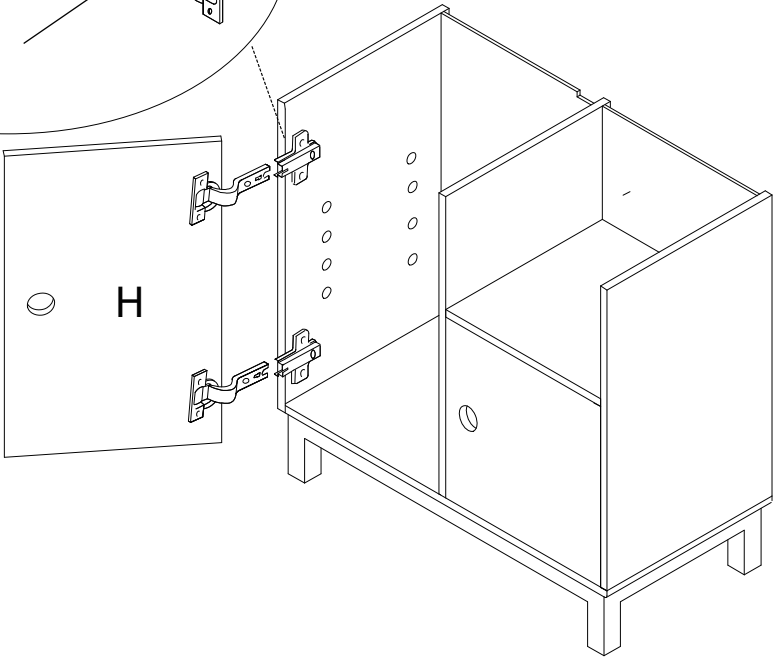
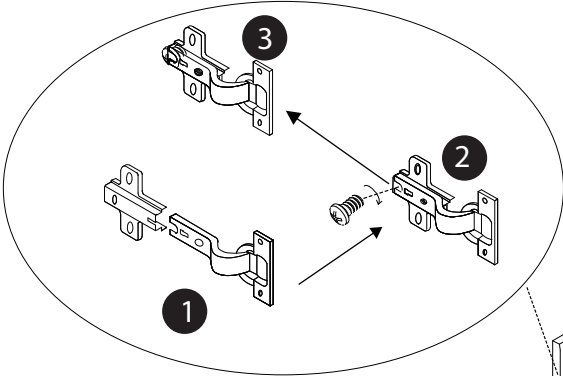
# KADI

KCP-0012

19



20

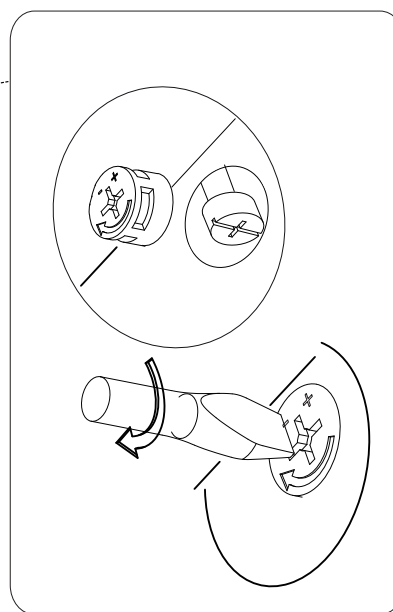
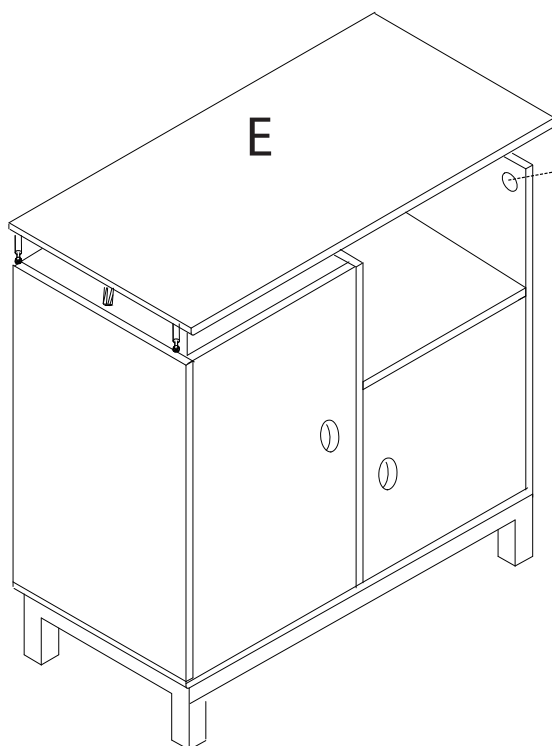


# BANAK

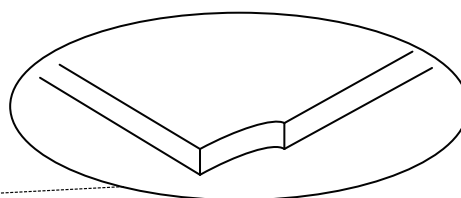
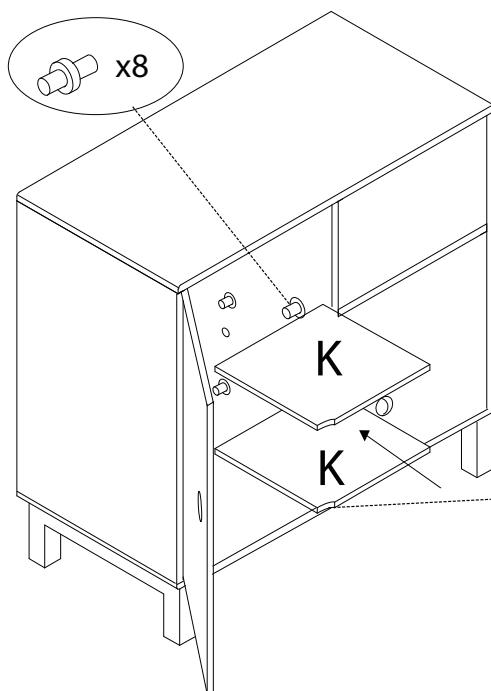
# KADI

KCP-0012

21



22



# BANAK

# KADI

KCP-0012

23

