

BANAK

KEHRA

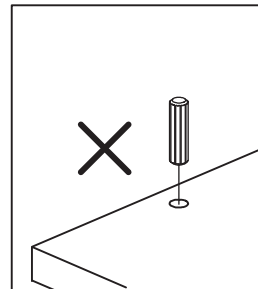
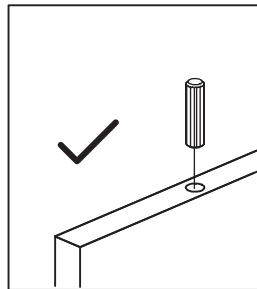
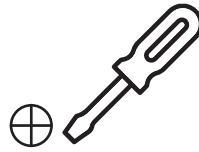
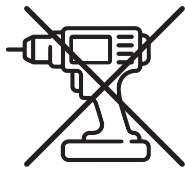
KR-0103BC



BANAK

KEHRA

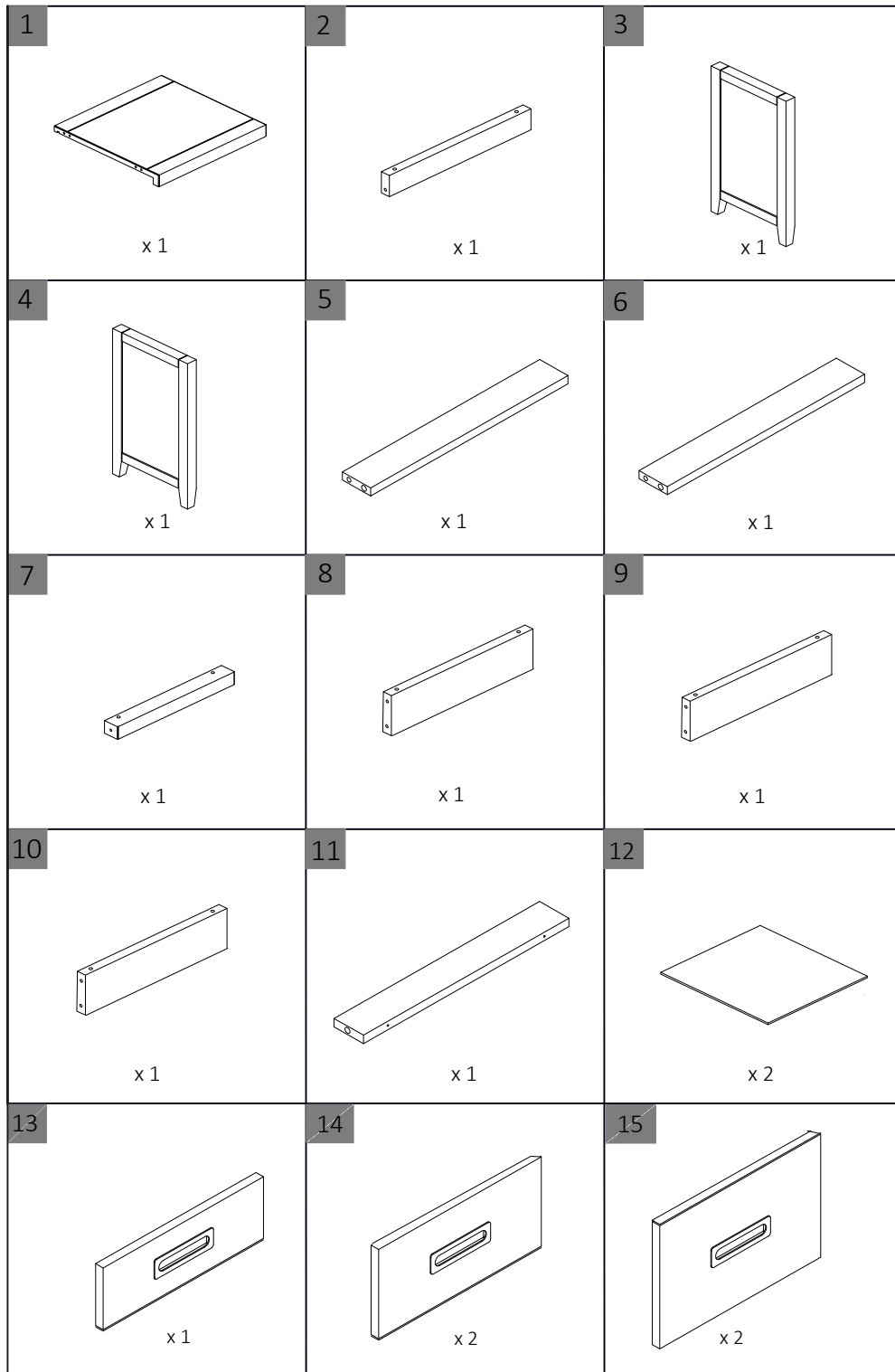
KR-0103BC



BANAK

KEHRA

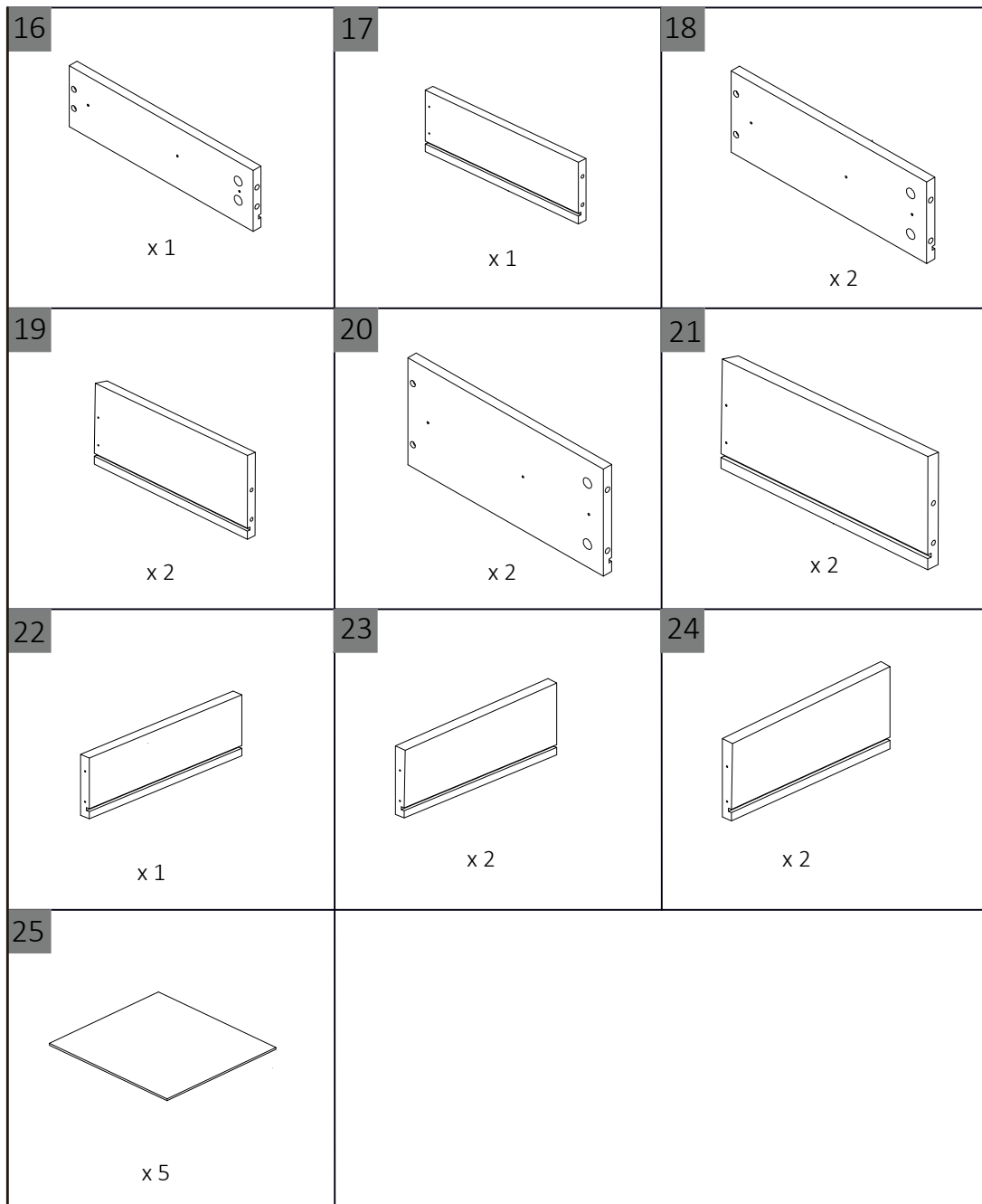
KR-0103BC



BANAK

KEHRA

KR-0103BC

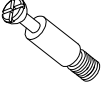
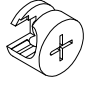
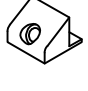





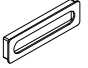



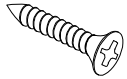
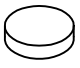


BANAK

KEHRA

KR-0103BC

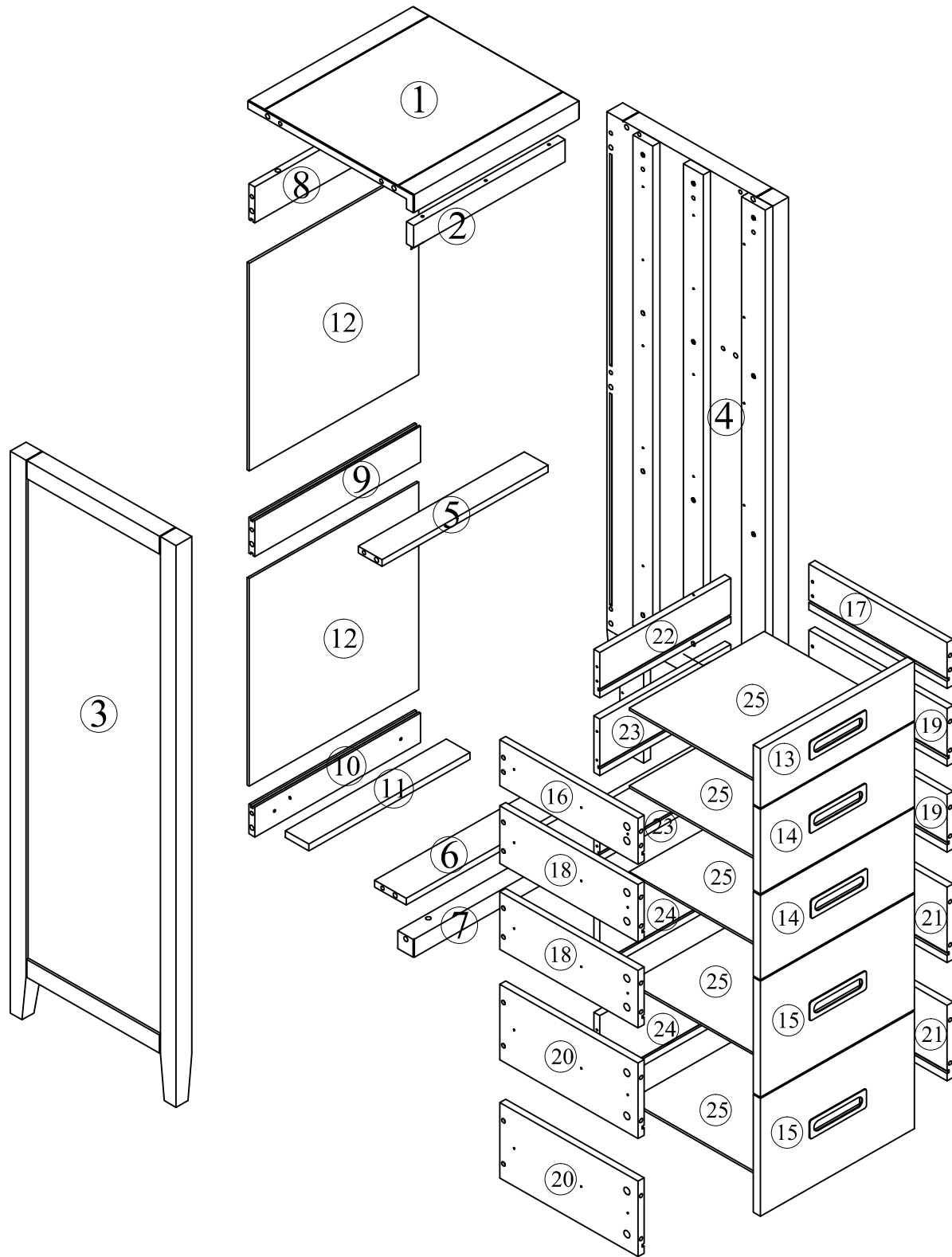


 L=35 Ax42	 Ø15 Bx42	 Cx8	 Ø3x18 Dx8	 Ø3.5x12 Ex60	 Ø3.5x30 Fx22
 Ø8x30 Gx14	 M4x14 Hx10	 Ix5	 Ø20x5 Jx42	 L=350 Kx10	 L=350 Lx10
 Ø4x45 Nx3	 Ø25x5 Ox4				

BANAK

KEHRA

KR-0103BC

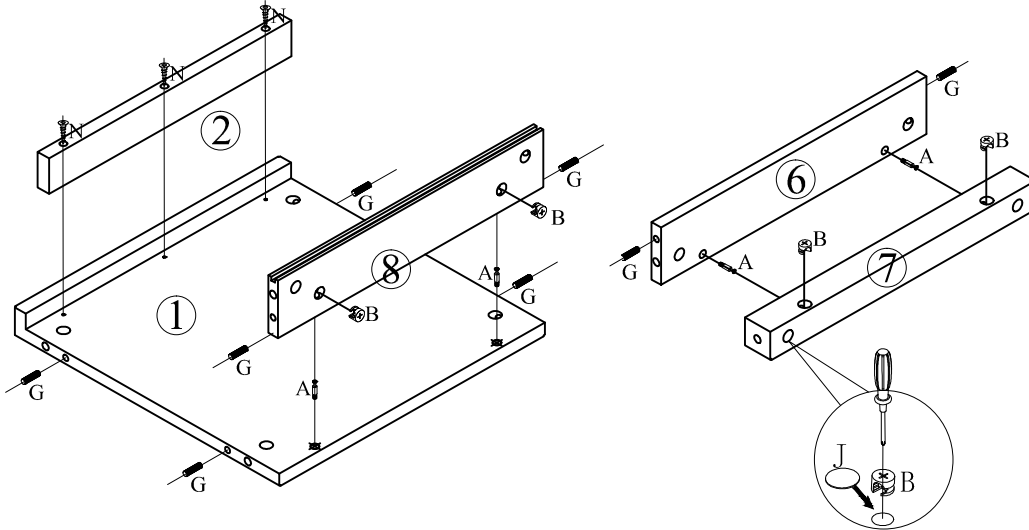
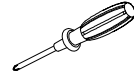
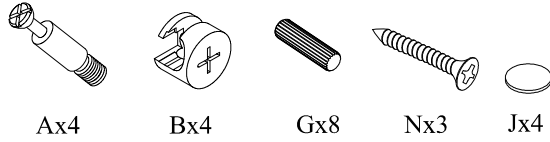


BANAK

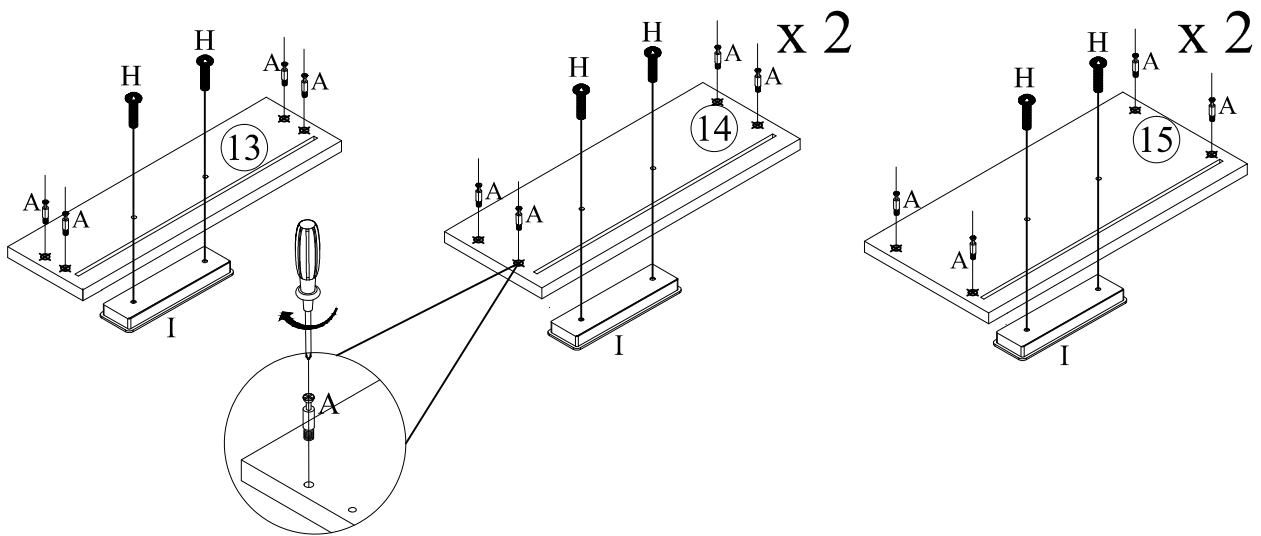
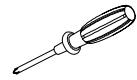
KEHRA

KR-0103BC

1



2

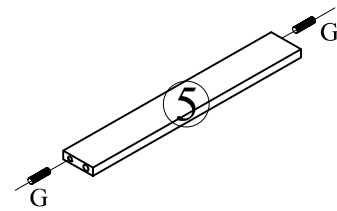
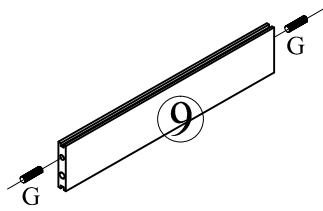
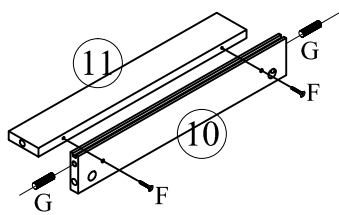
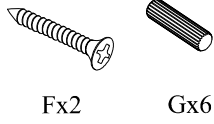


BANAK

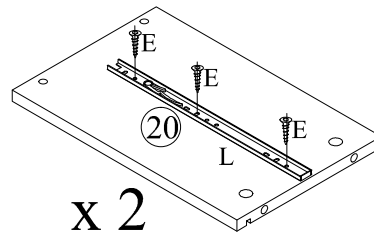
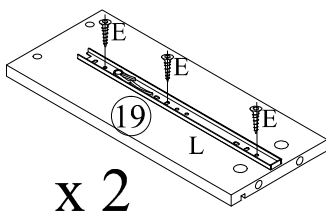
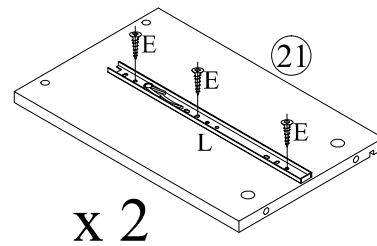
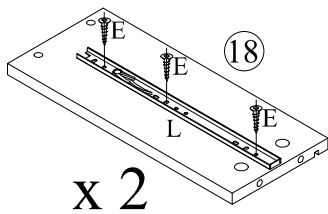
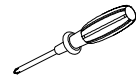
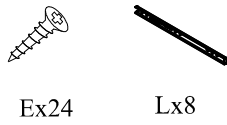
KEHRA

KR-0103BC

3



4

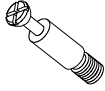


BANAK

KEHRA

KR-0103BC

5



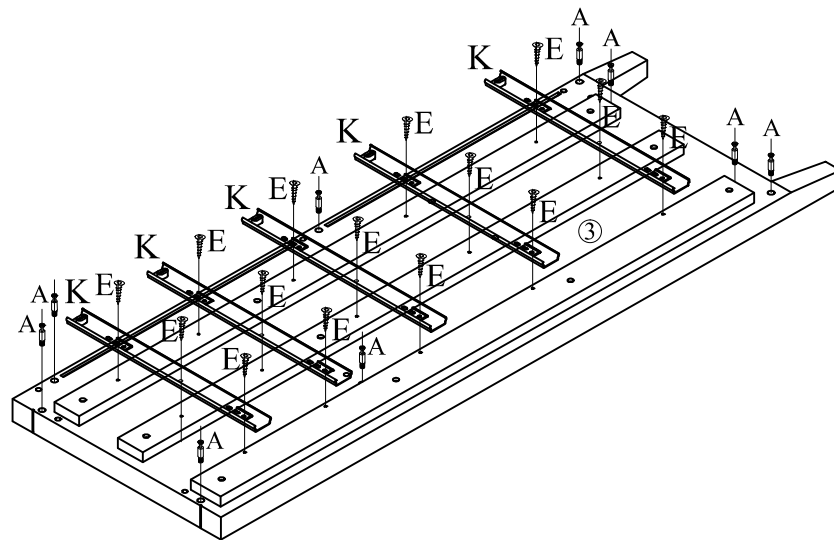
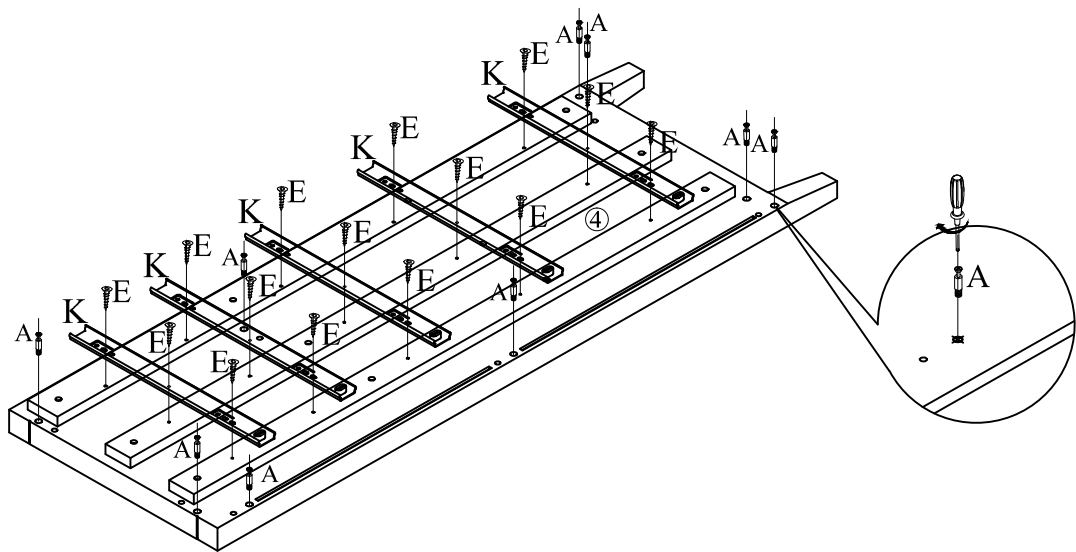
Ax18



Ex30



Kx10



BANAK

KEHRA

KR-0103BC

6



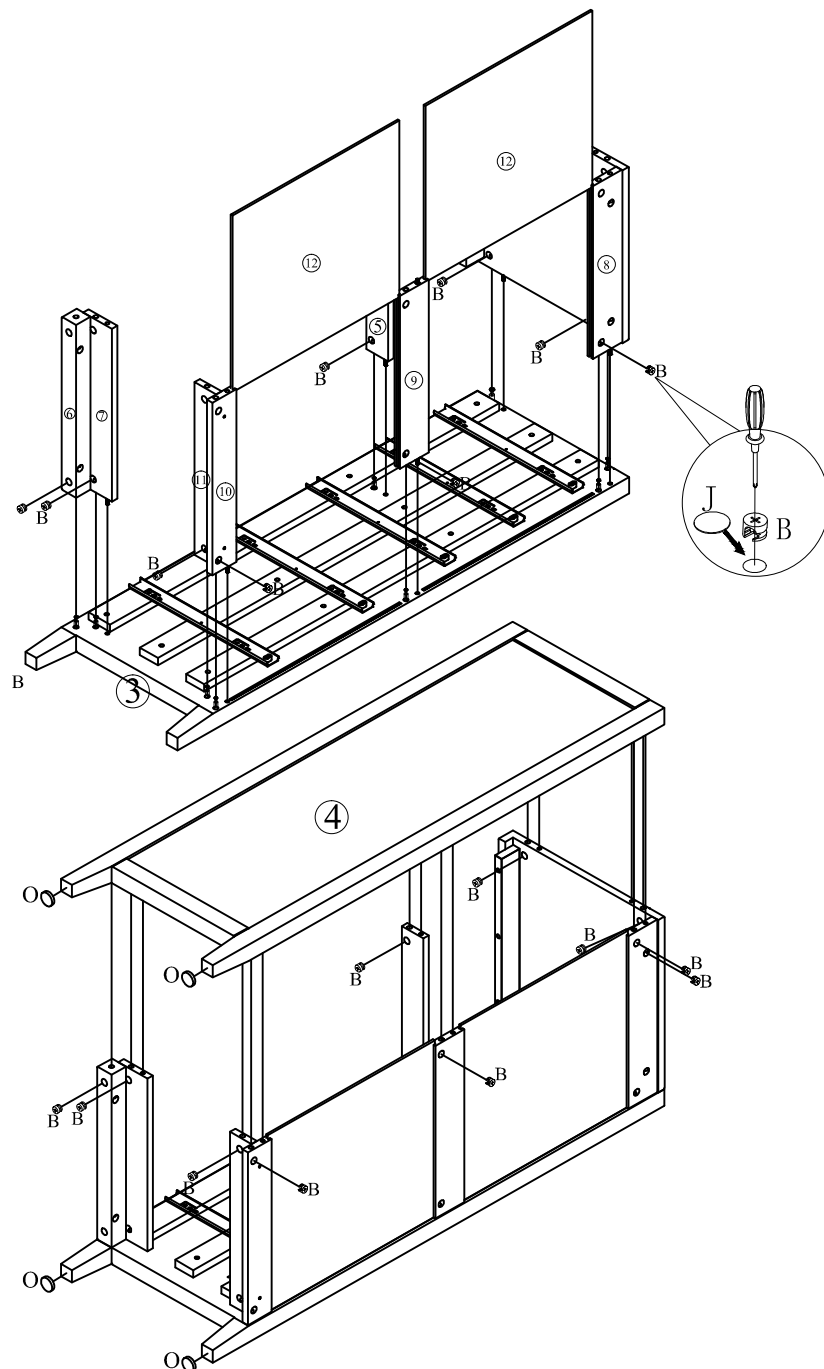
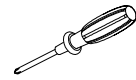
Bx18



Ox4



Jx18



BANAK

KEHRA

KR-0103BC

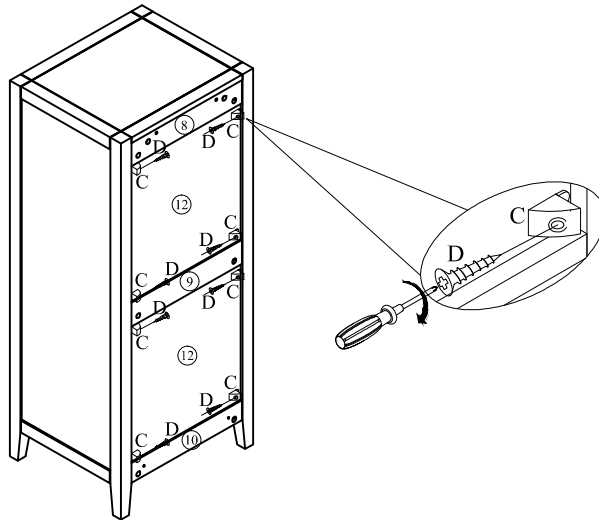
7



Cx8



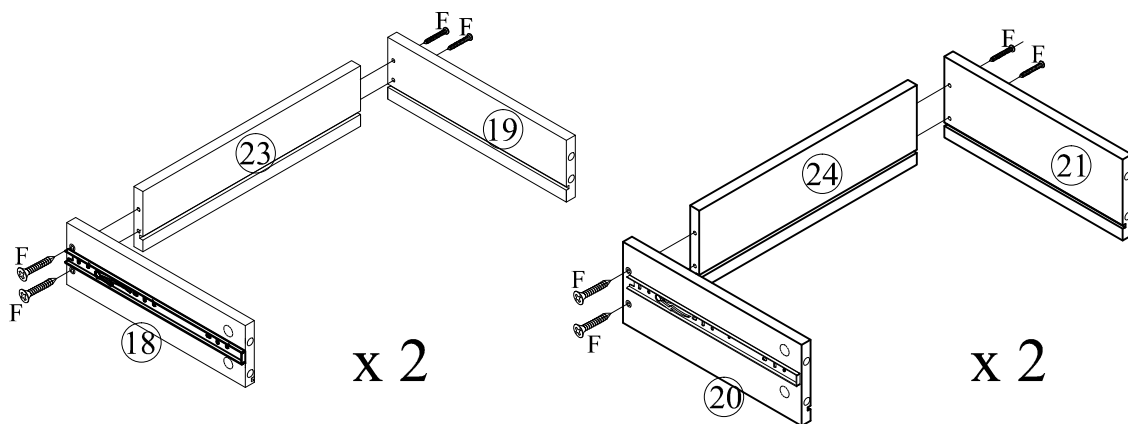
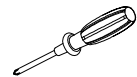
Dx8



8



Fx16

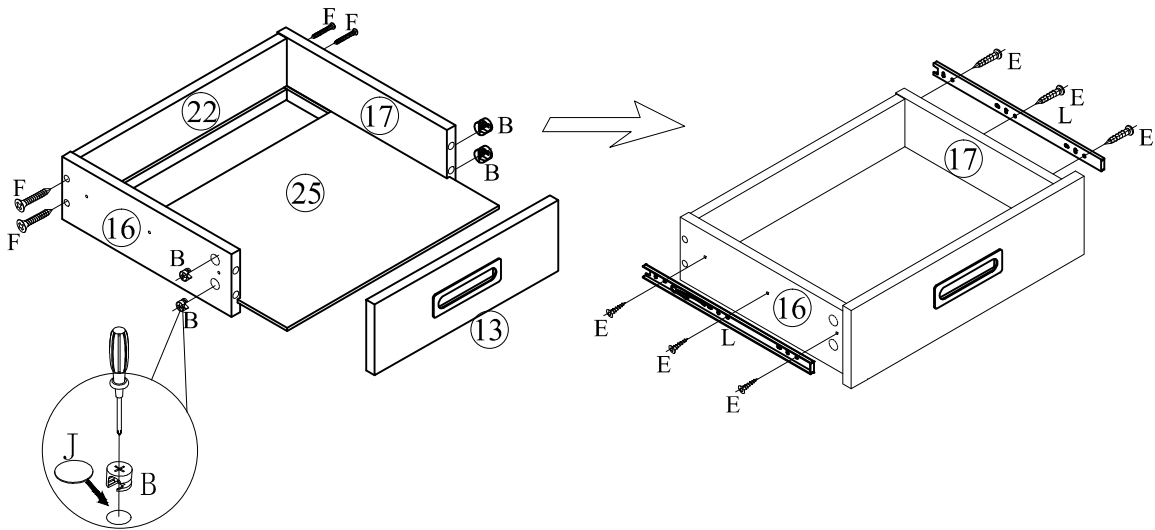
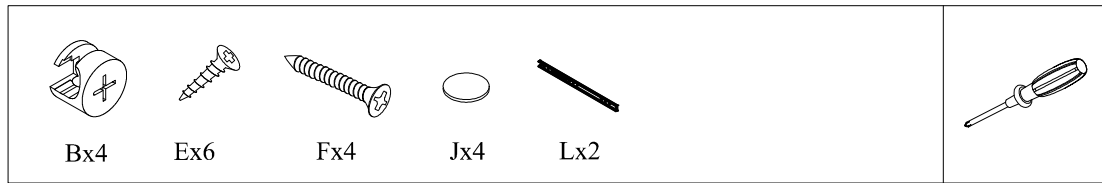


BANAK

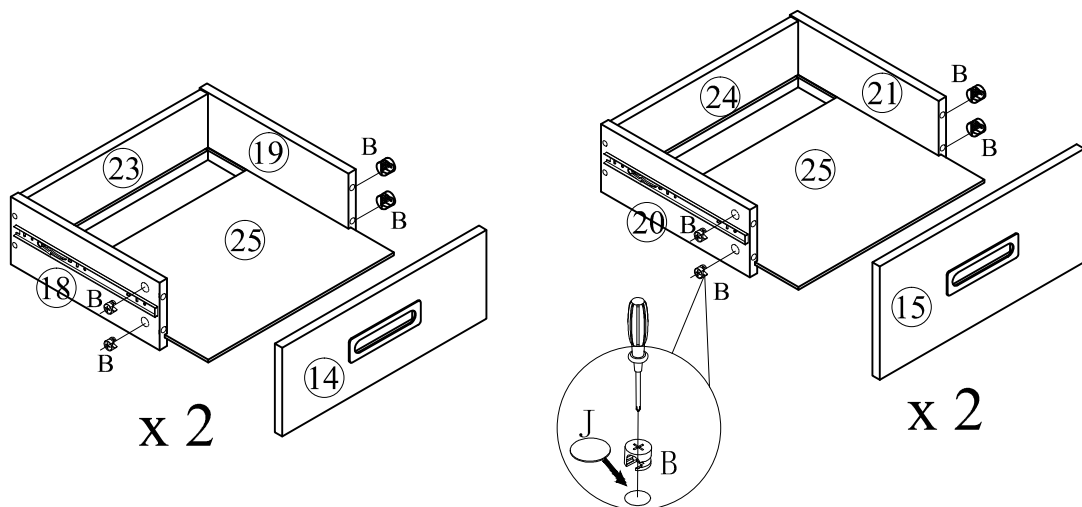
KEHRA

KR-0103BC

9



10



BANAK

KEHRA

KR-0103BC

11

