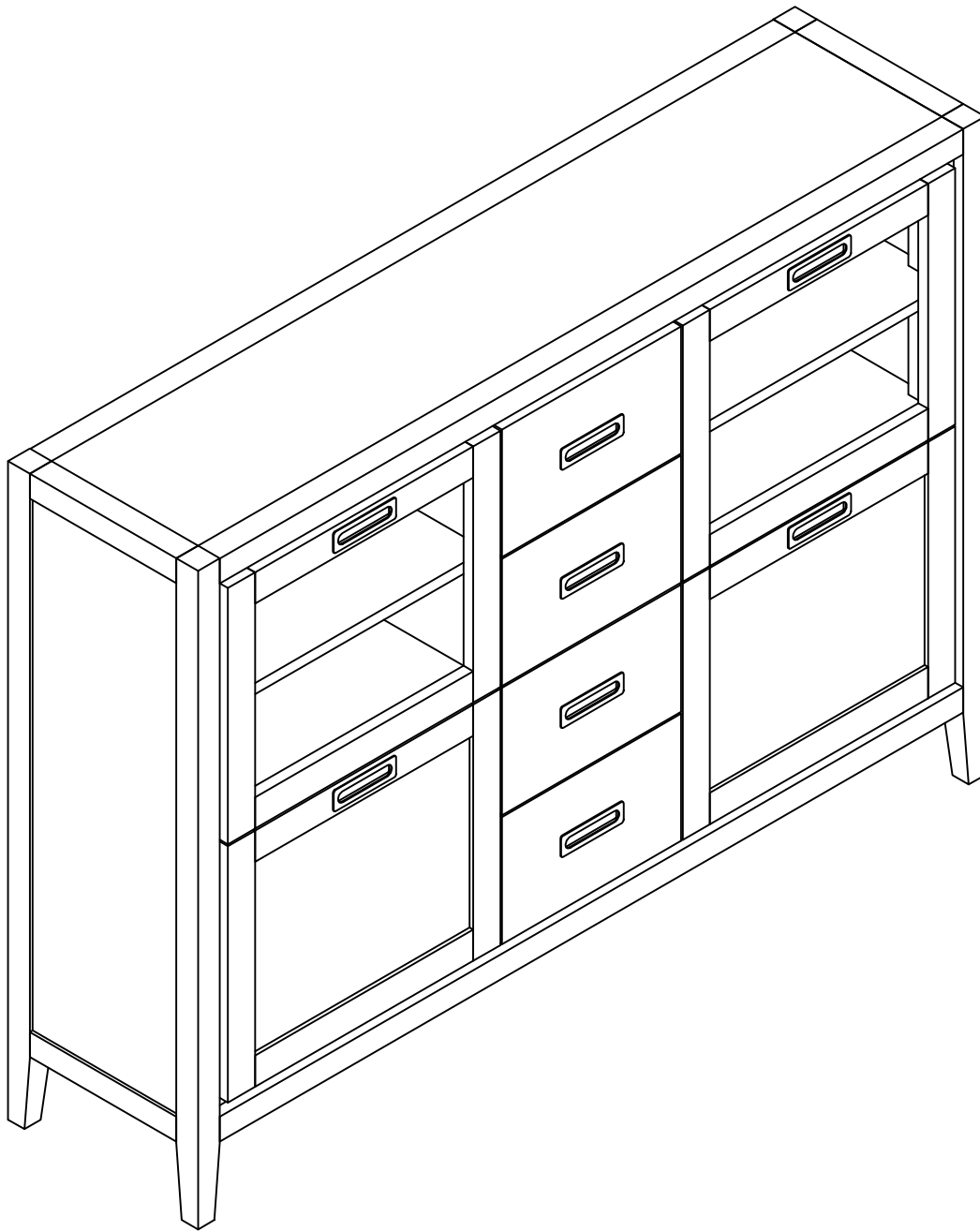


BANAK

KEHRA

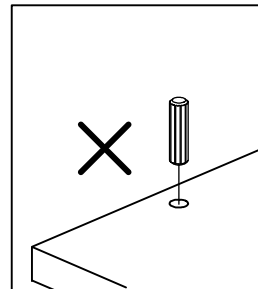
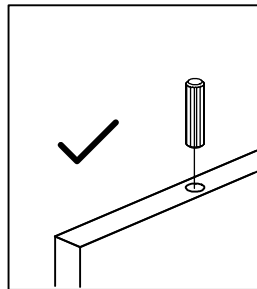
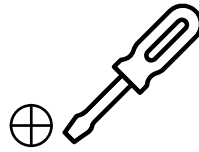
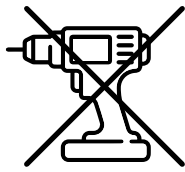
KR-0107BC



BANAK

KEHRA

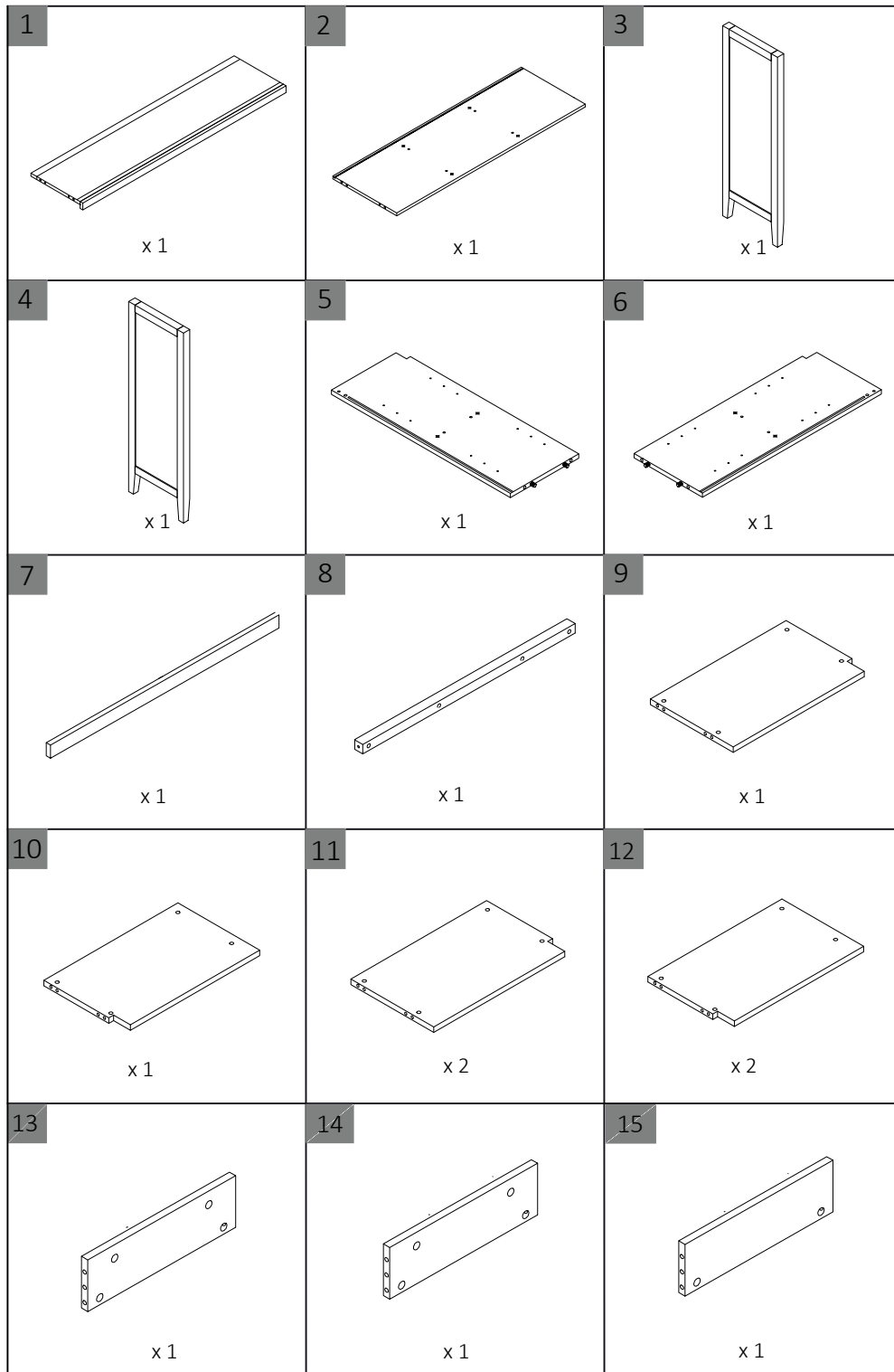
KR-0107BC



BANAK

KEHRA

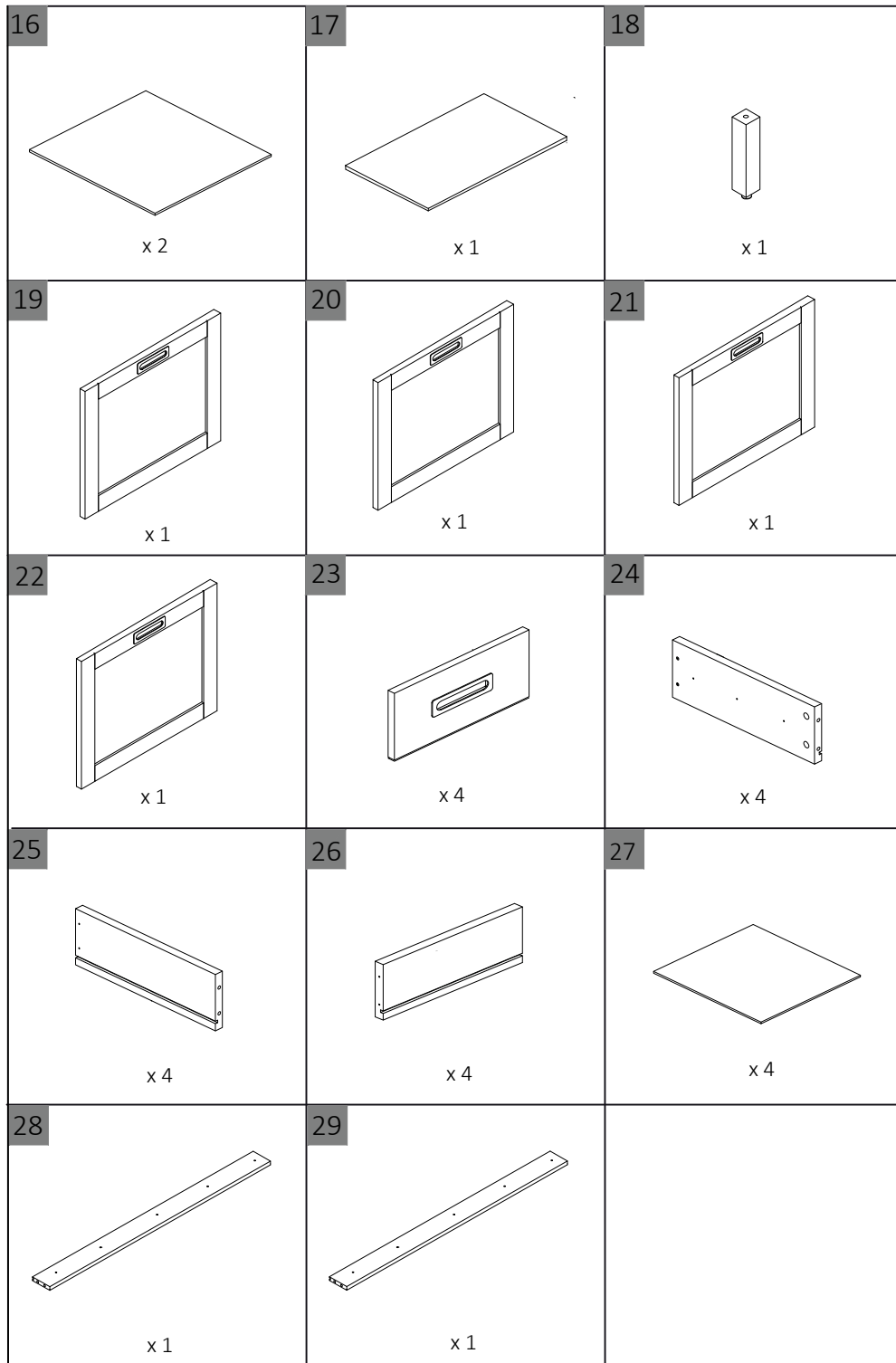
KR-0107BC



BANAK

KEHRA

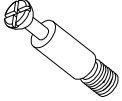
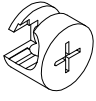
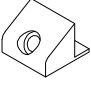


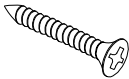
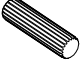





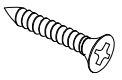
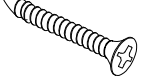


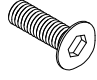

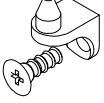
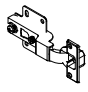
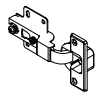

KR-0107BC



BANAK

KEHRA

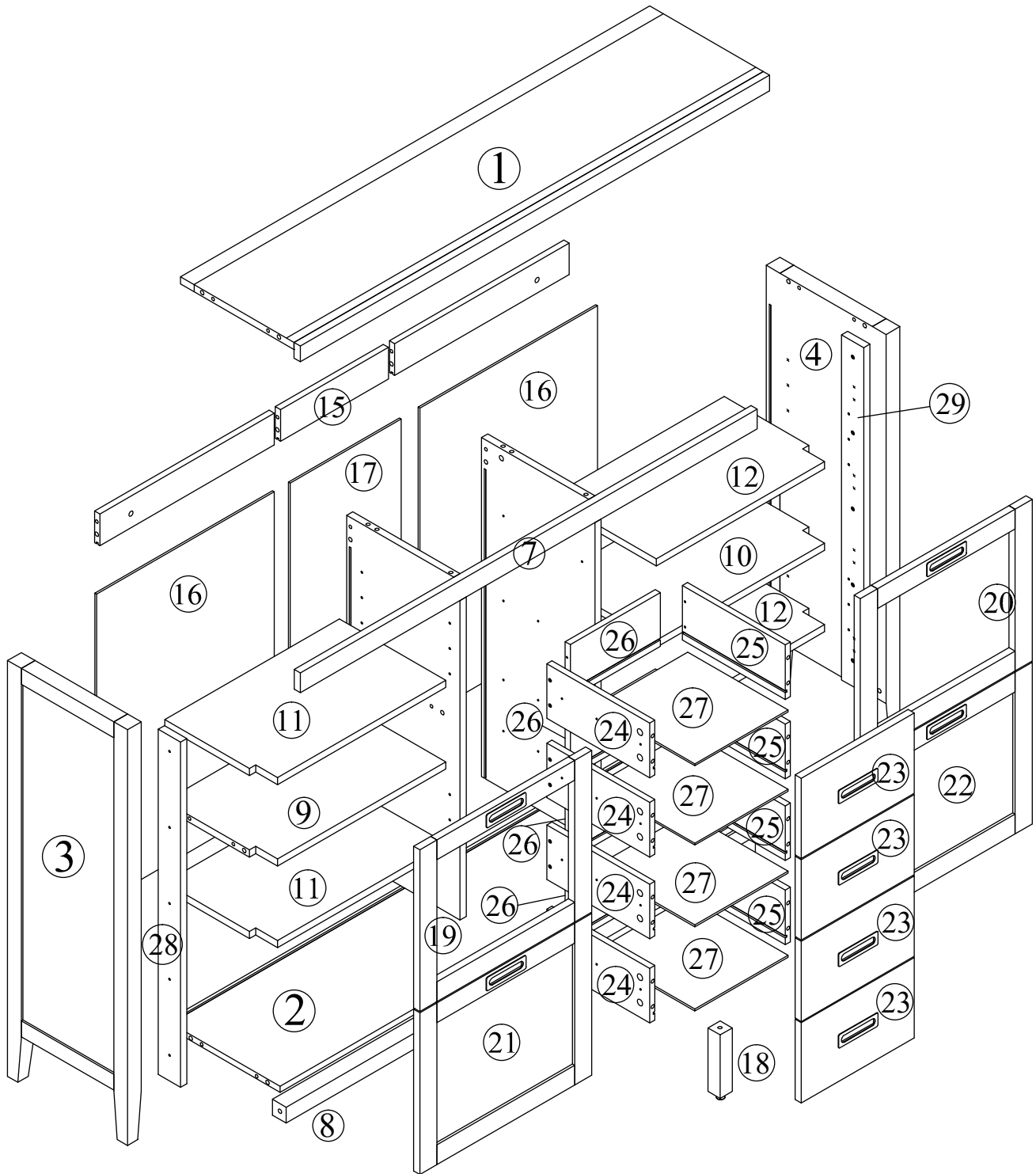
KR-0107BC

 L=35 Ax58	 Ø15 Bx58	 Cx12	 Ø3x18 Dx12	 Ø3.5x12 Ex48	 Ø3.5x30 Fx16
 Ø8x30 Gx30	 M4x15 Hx16	 Ix8	 Ø20 Jx50	 L=300 Kx8	 L=300 Lx8
 Ø4x25 Mx10	 Ø4x45 Nx5	 Ø25x5 Ox4	 Px1	 M6x30 Qx1	 Ø4x14 Rx48
 Sx16	 Ø26 Tx4	 Ø35 Ux4	 M4 Vx1		

BANAK

KEHRA

KR-0107BC

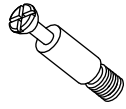


BANAK

KEHRA

KR-0107BC

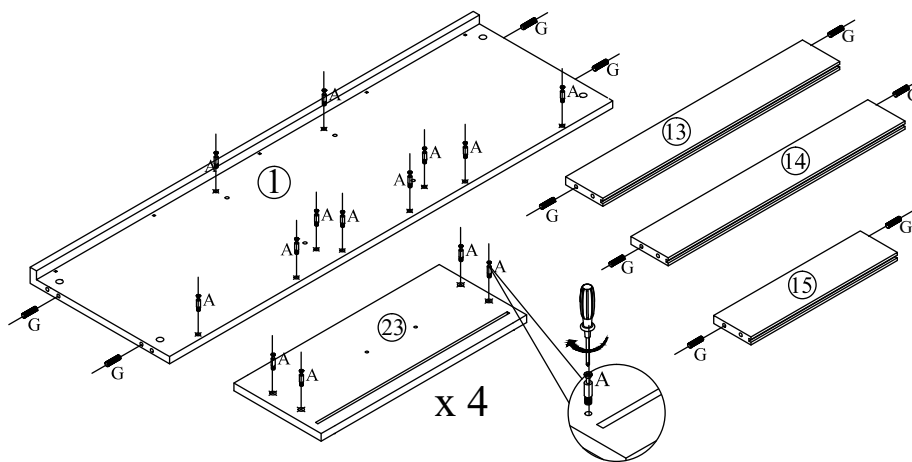
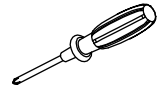
1



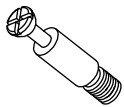
Ax26



Gx10



2



Ax4



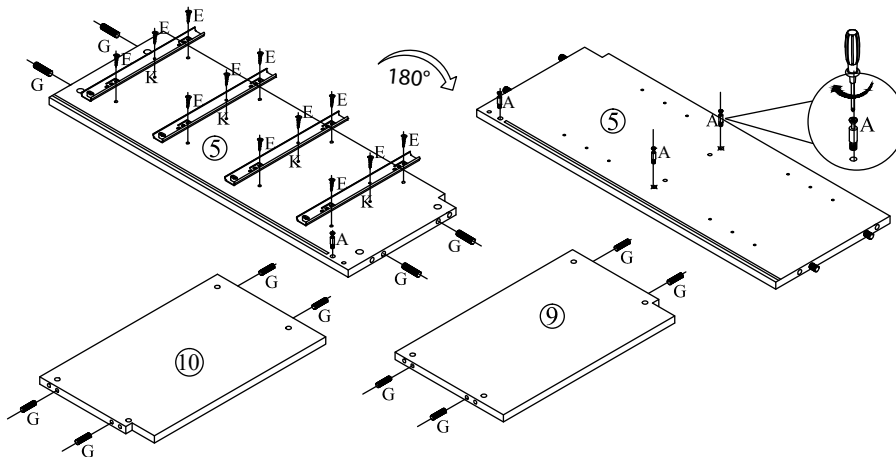
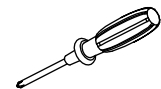
Ex12



Gx12



Kx4

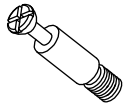


BANAK

KEHRA

KR-0107BC

3



Ax4



Ex36



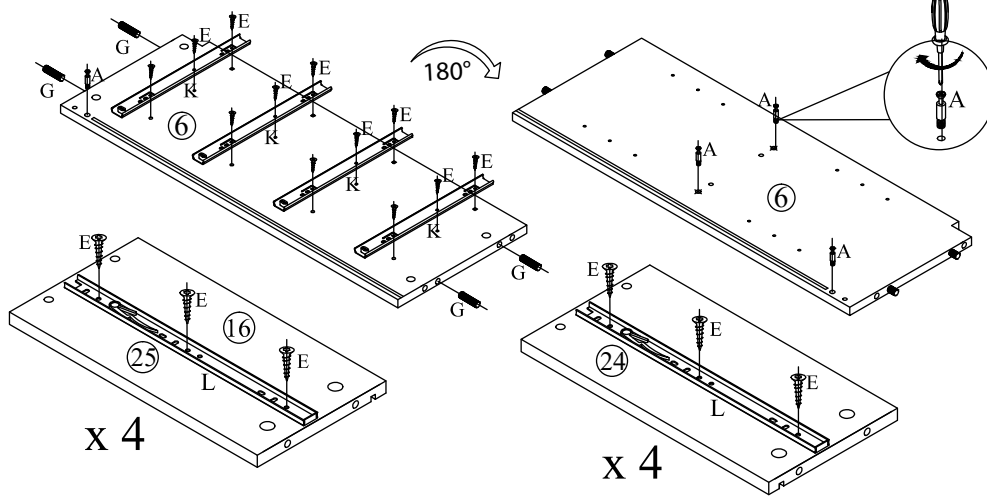
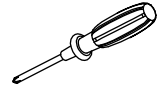
Gx4



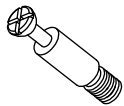
Kx4



Lx8



4



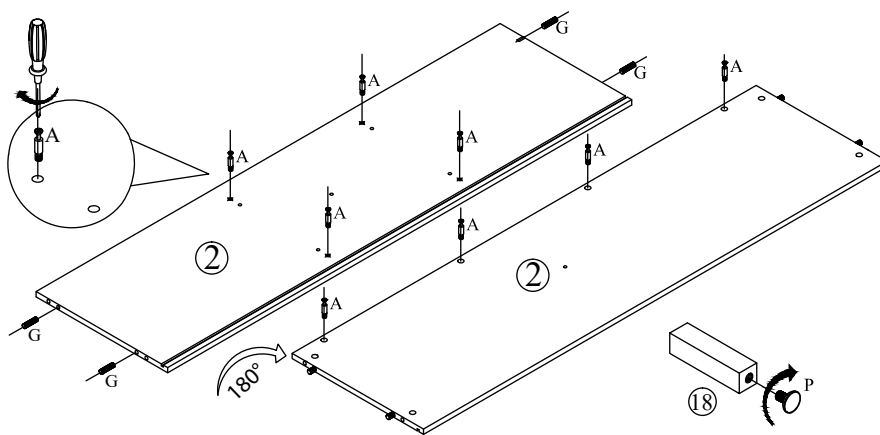
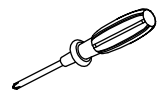
Ax8



Gx4



Px1

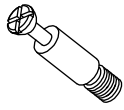


BANAK

KEHRA

KR-0107BC

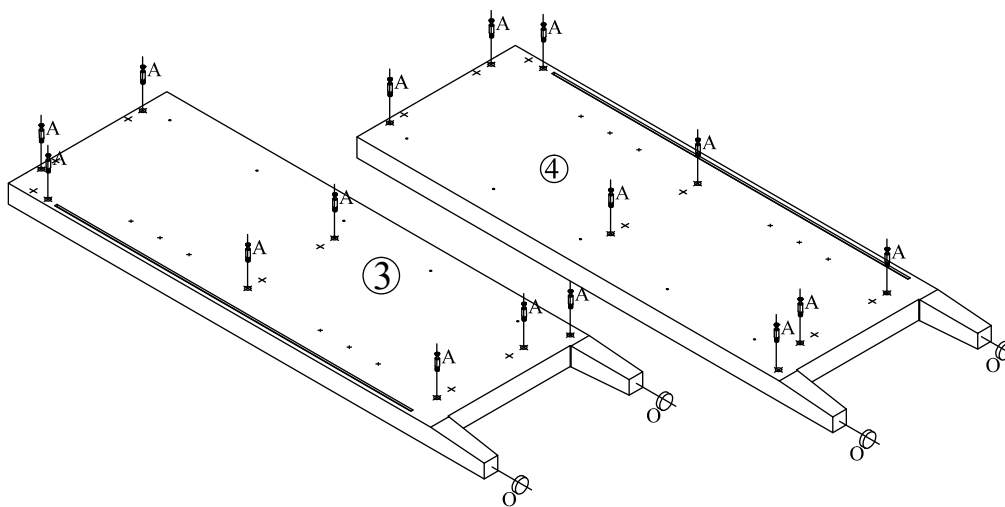
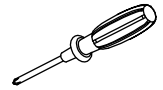
5



Ax16



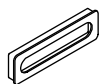
Ox4



6



Hx4



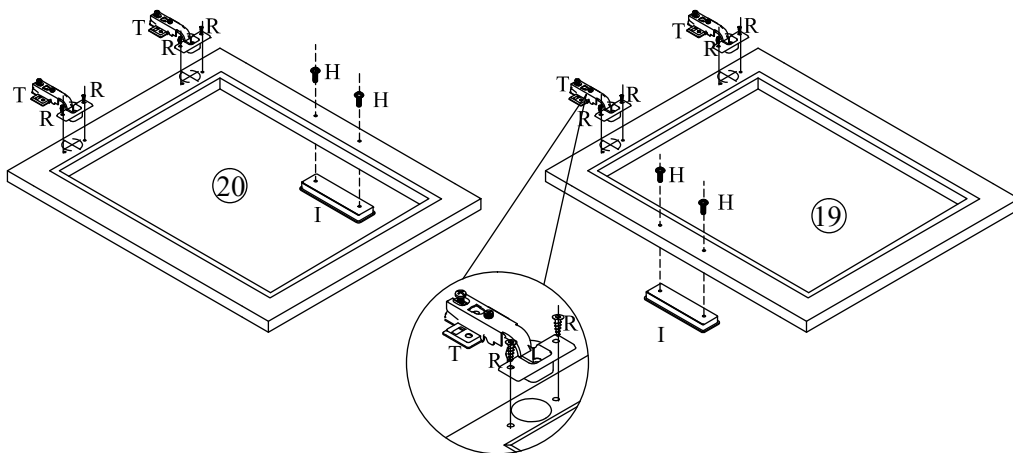
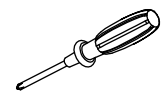
Ix2



Rx8



Tx4



BANAK

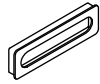
KEHRA

KR-0107BC

7



Hx4



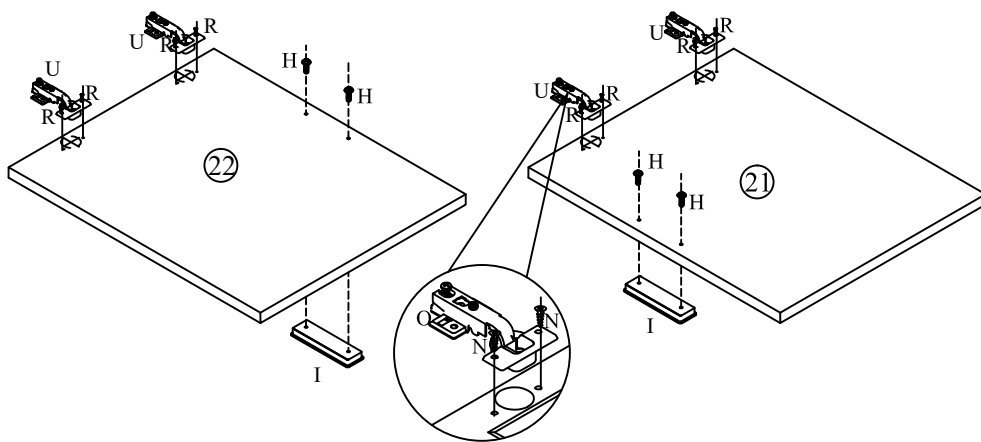
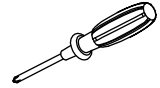
Ix2



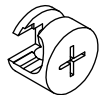
Rx8



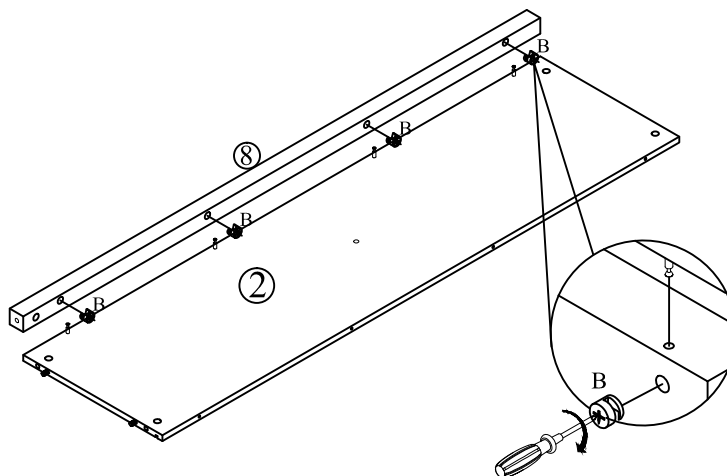
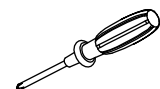
Ux4



8



Bx4



BANAK

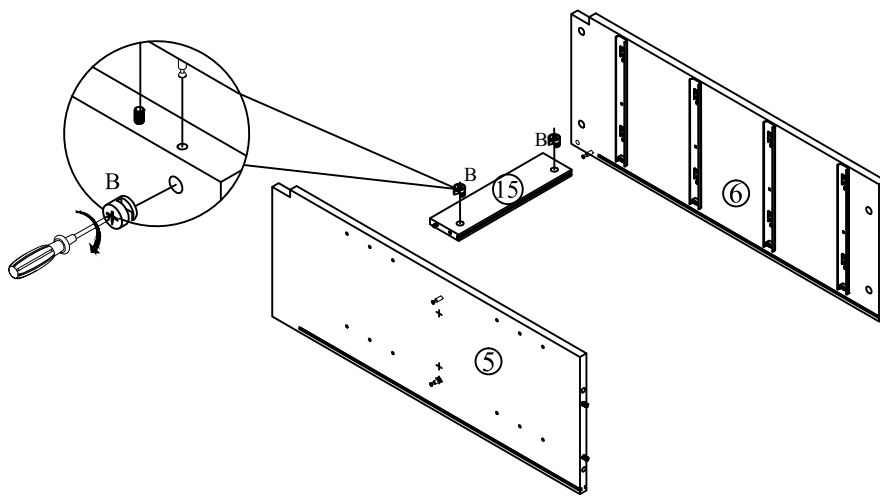
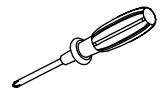
KEHRA

KR-0107BC

9



Bx2



10



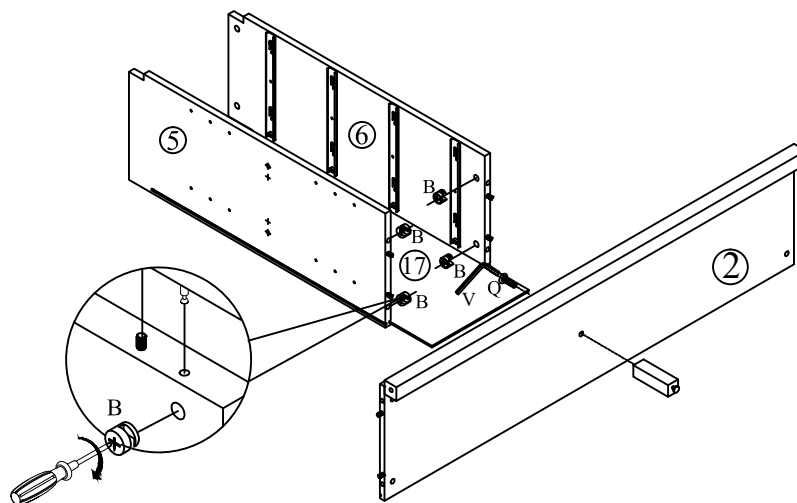
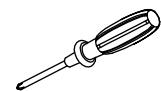
Bx4



Qx1



Vx1

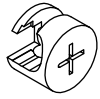


BANAK

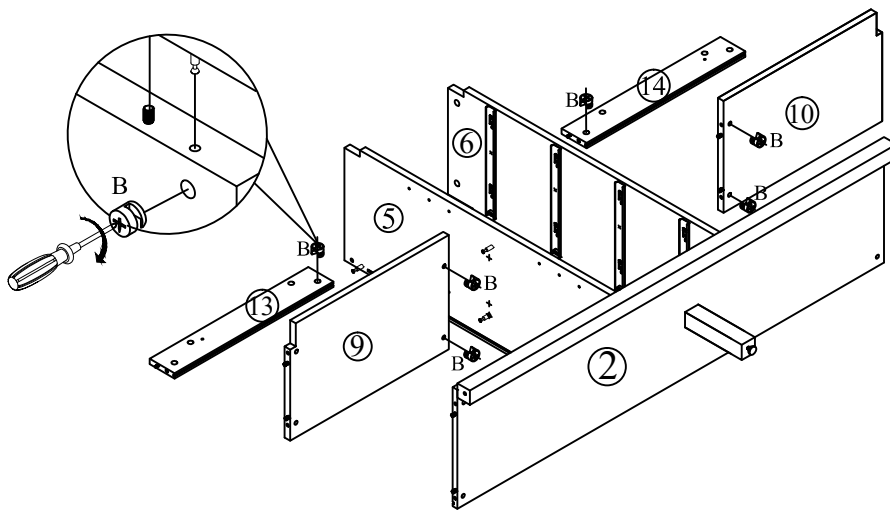
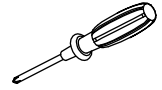
KEHRA

KR-0107BC

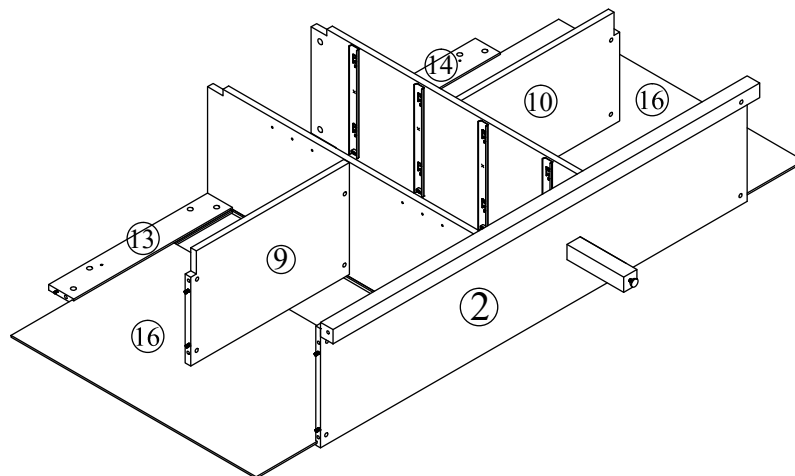
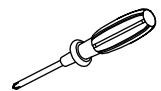
11



Bx6



12



BANAK

KEHRA

KR-0107BC

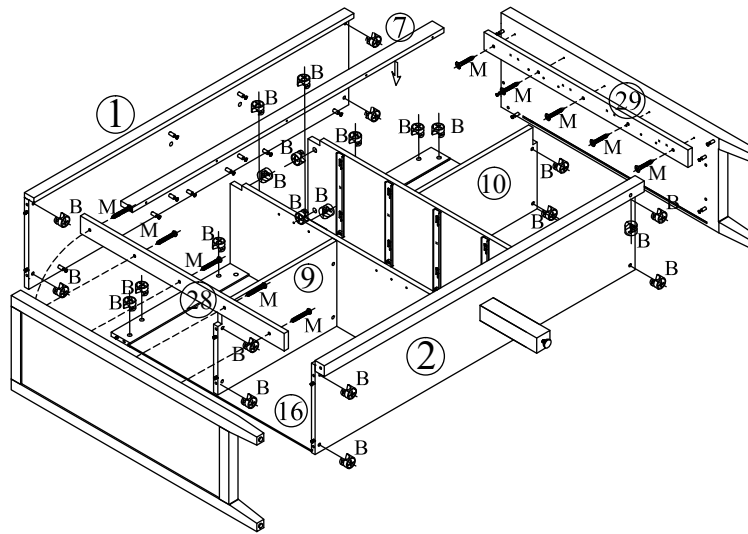
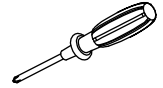
13



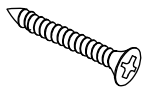
Bx26



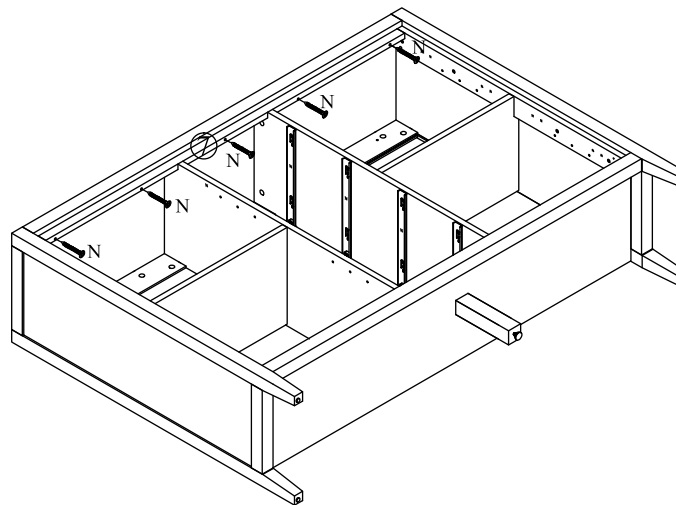
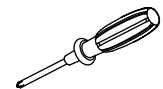
Mx10



14



Nx5



BANAK

KEHRA

KR-0107BC

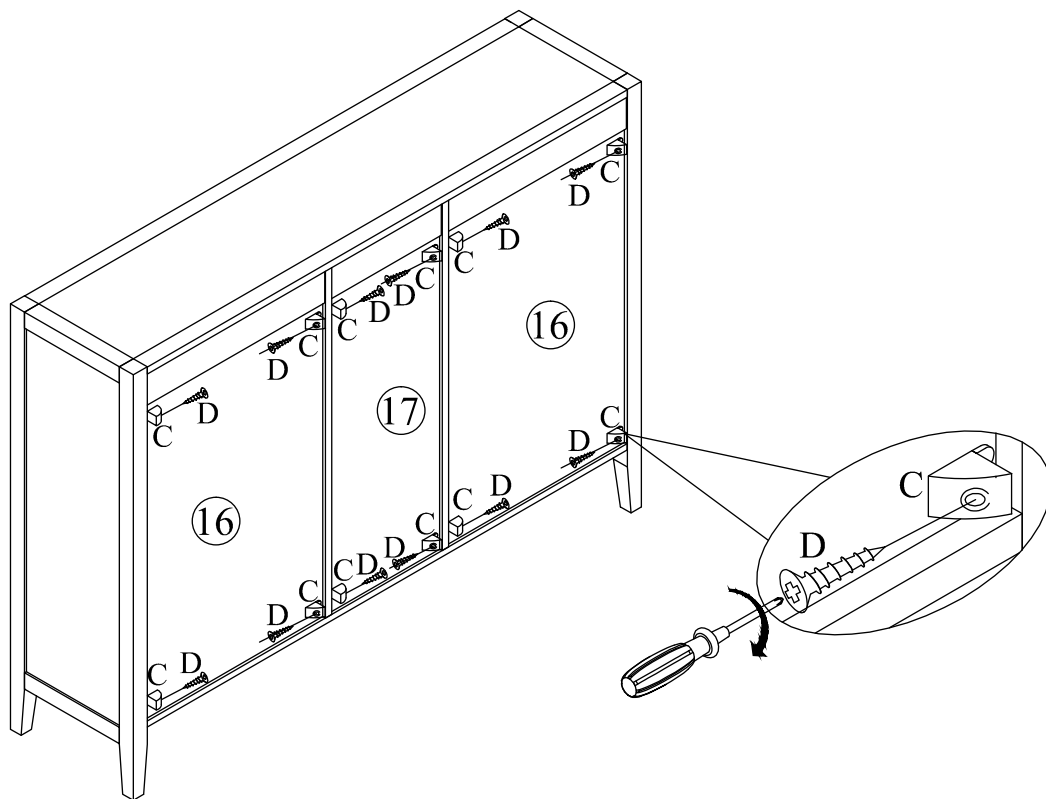
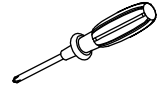
15



Cx12



Dx12



BANAK

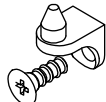
KEHRA

KR-0107BC

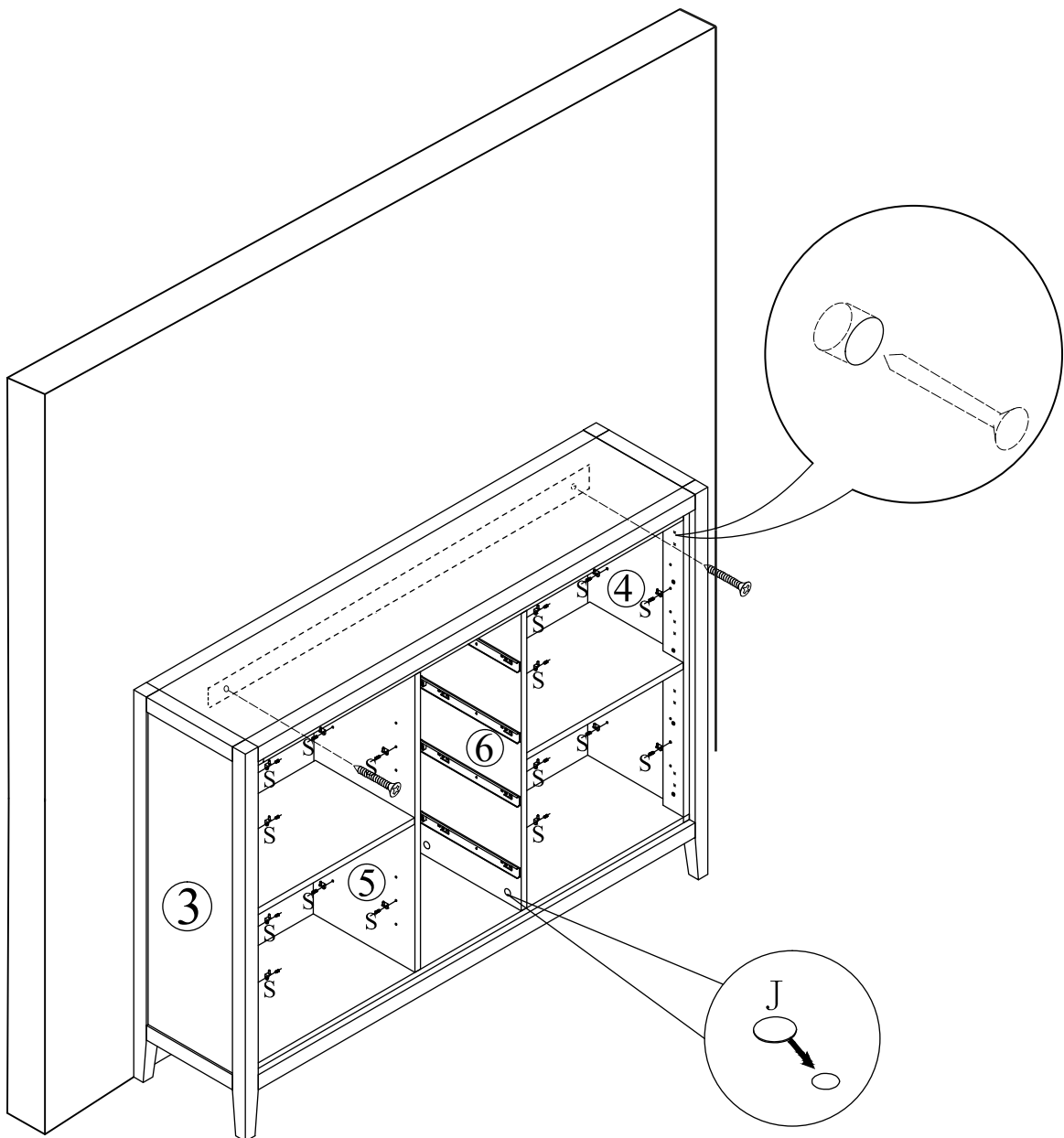
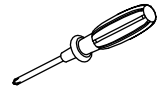
16



Jx34



Sx16

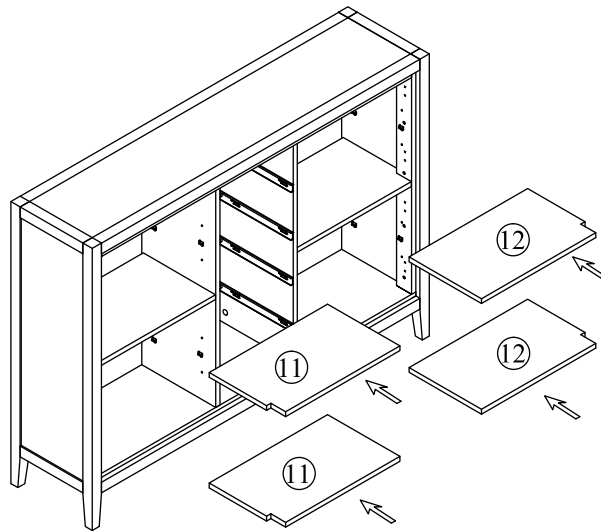
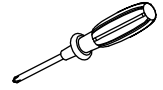


BANAK

KEHRA

KR-0107BC

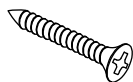
17



18



Bx16



Fx16



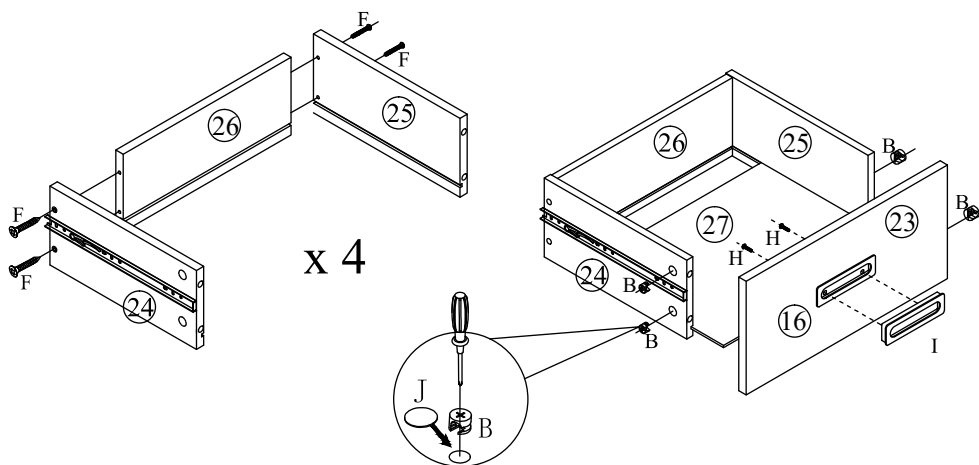
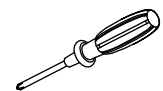
Hx8



Ix4



Jx16



BANAK

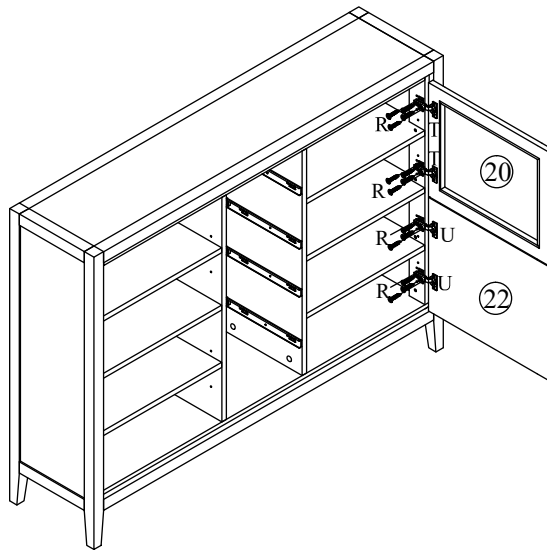
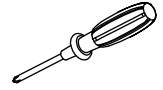
KEHRA

KR-0107BC

19



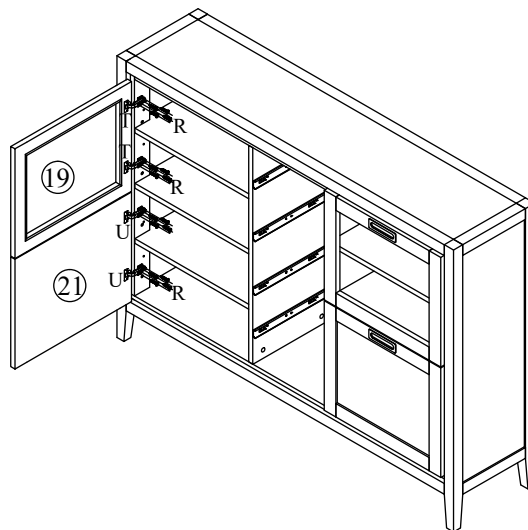
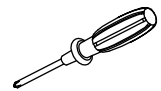
Rx16



20



Rx16



BANAK

KEHRA

KR-0107BC

21

