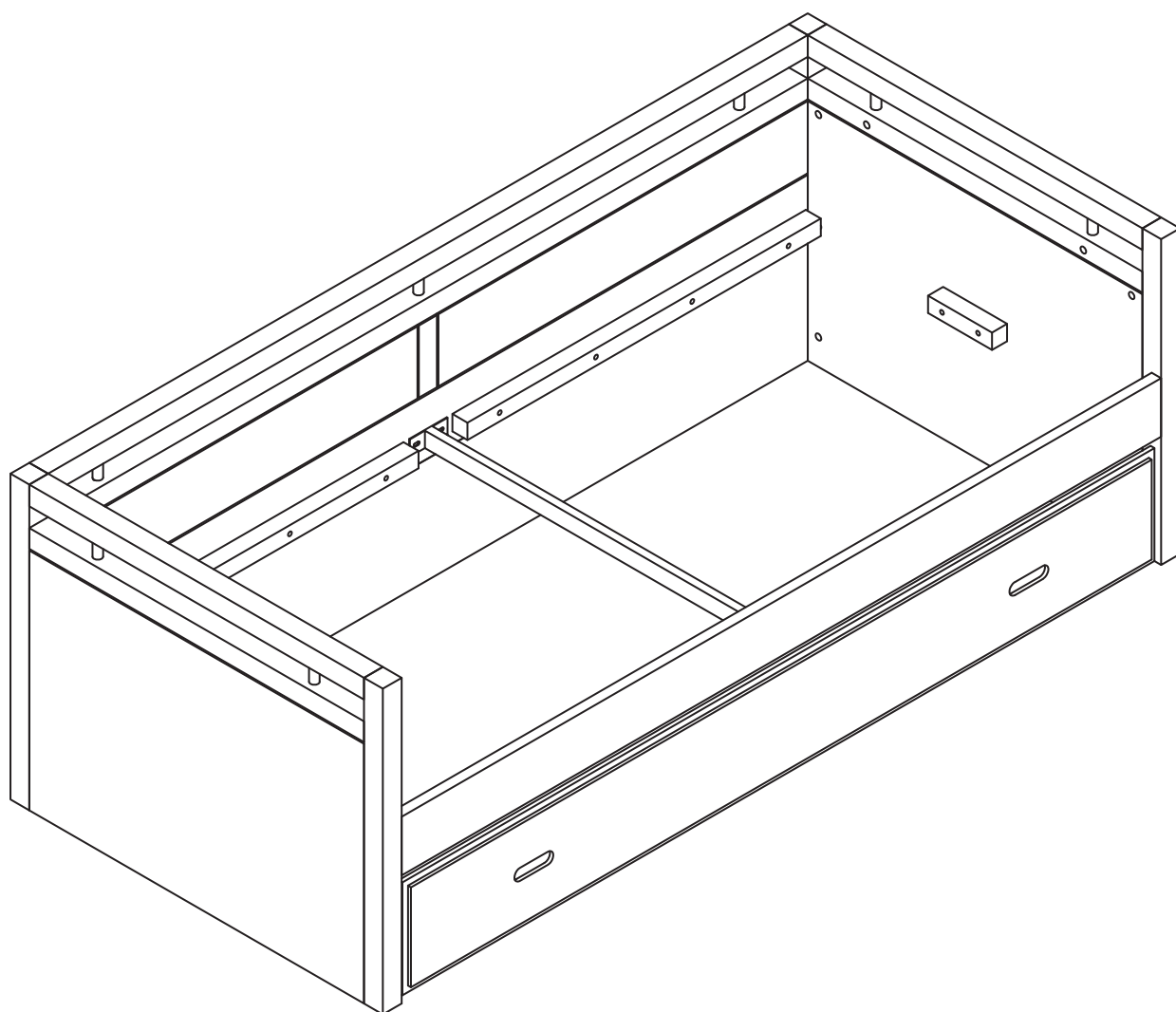


BANAK

KEHRA

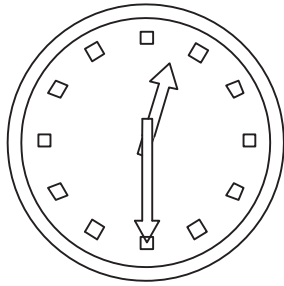
KR-0109BC



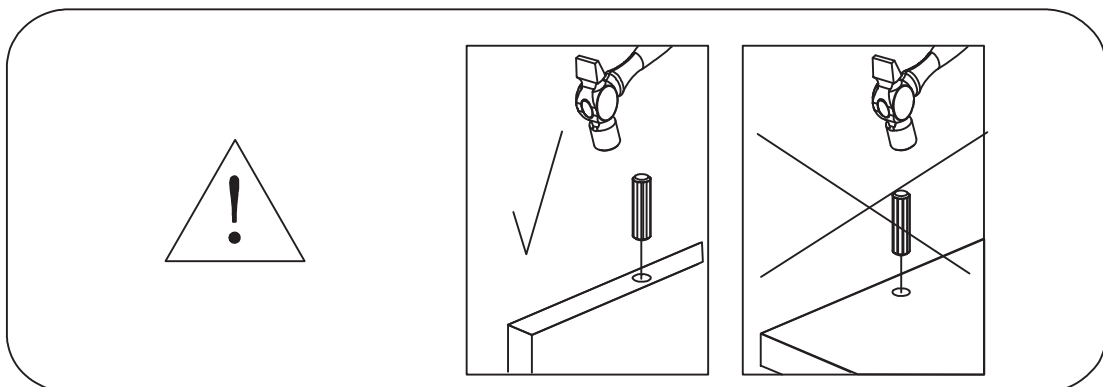
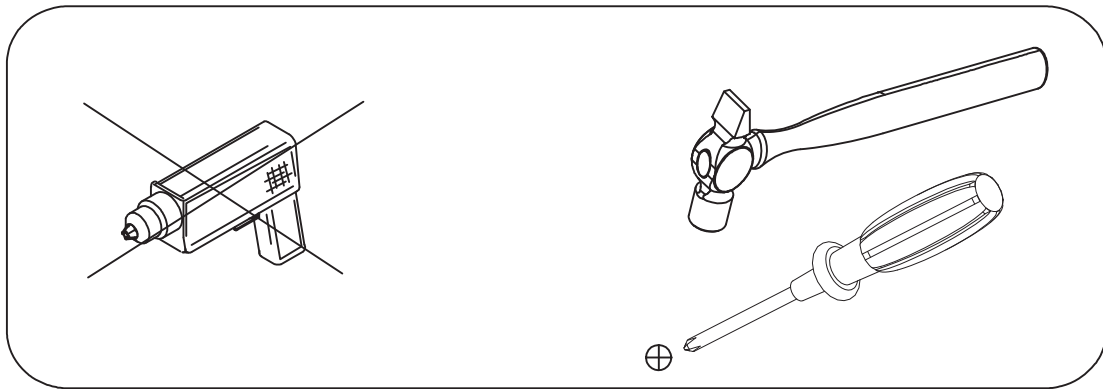
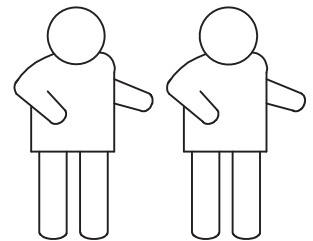
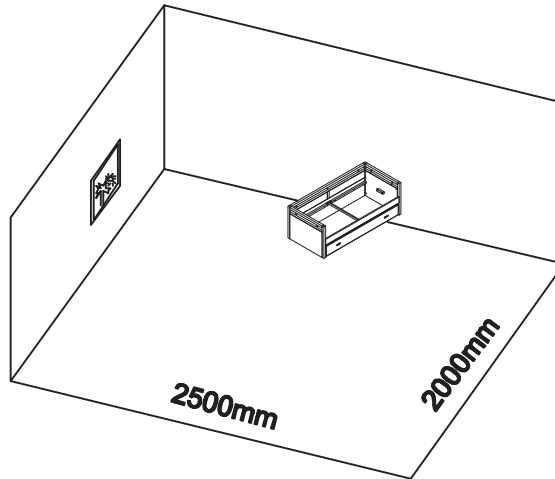
BANAK

KEHRA

KR-0109BC



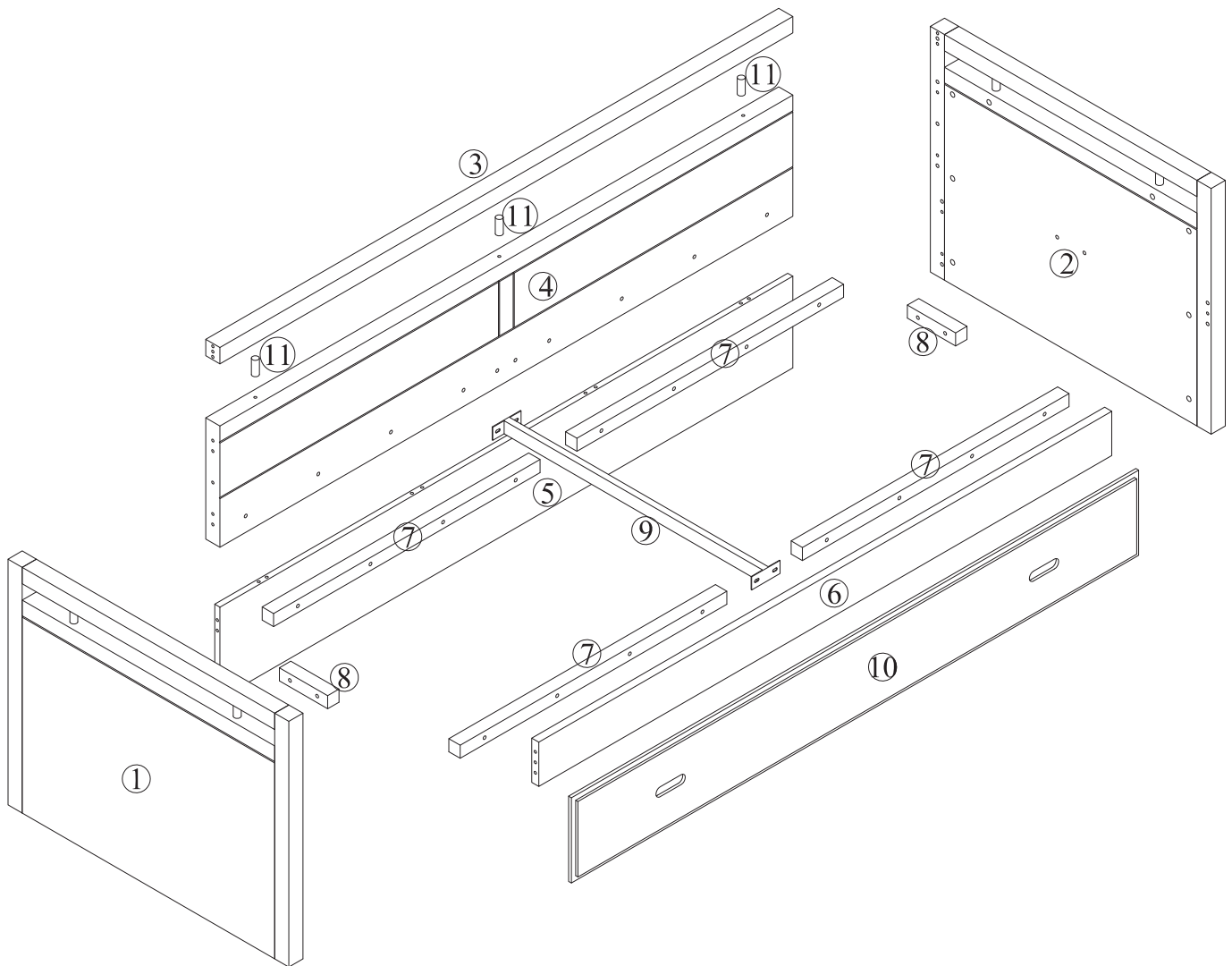
30min



BANAK

KEHRA

KR-0109BC

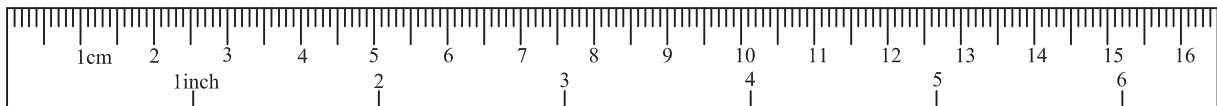


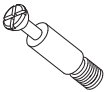





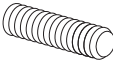
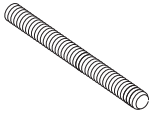

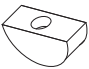
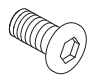
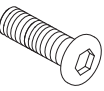
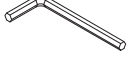



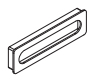
BANAK

KEHRA

KR-0109BC

1	x1	990x750x50
2	x1	990x750x50
3	x1	2020x50x50
4	x1	2020x370x50
5	x1	2020x280x18
6	x1	2020x135x25
7	x4	940x40x40
8	x2	170x40x40
9	x1	915x100x40
10	x1	2000x260x18
11	x3	Ø20x49



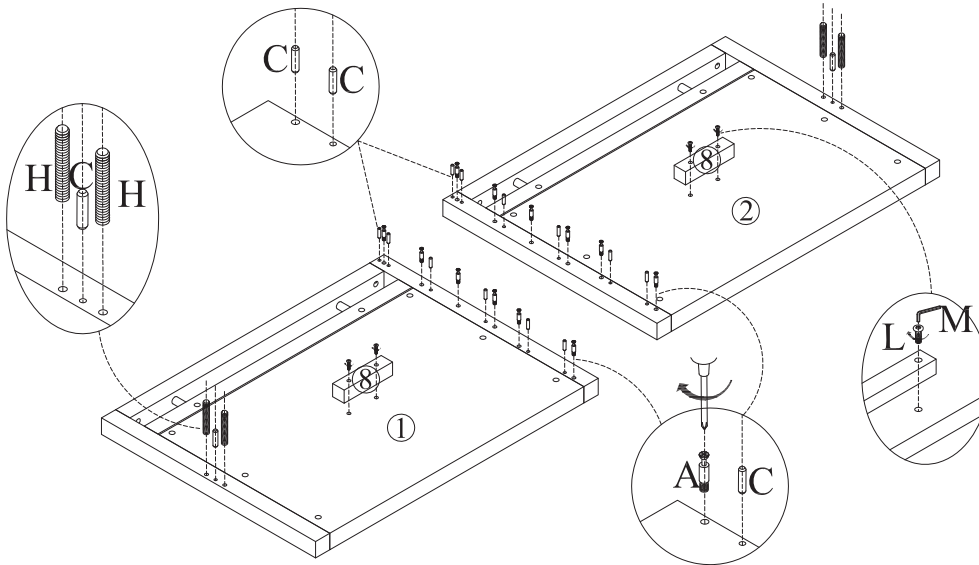
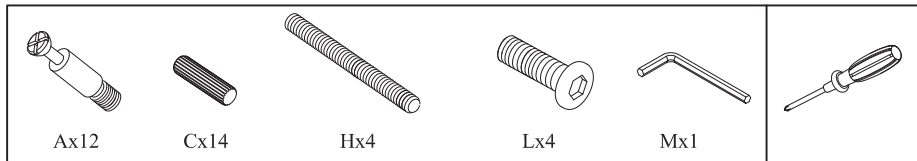
 L=35 Ax19	 Ø15 Bx19	 Ø8x30 Cx14	 Ø8x40 Dx4	 Ø3.5x16 Ex6	 M4x14 Fx4	 M6x30 Gx3
 M8x80 Hx4	 M8 Ix4	 M8 Jx4	 M6x15 Kx4	 M6x50 Lx20	 M4 Mx1	 M14 Nx1
 Ø38 Ox4	 Ø20 Px27	 Qx2				

BANAK

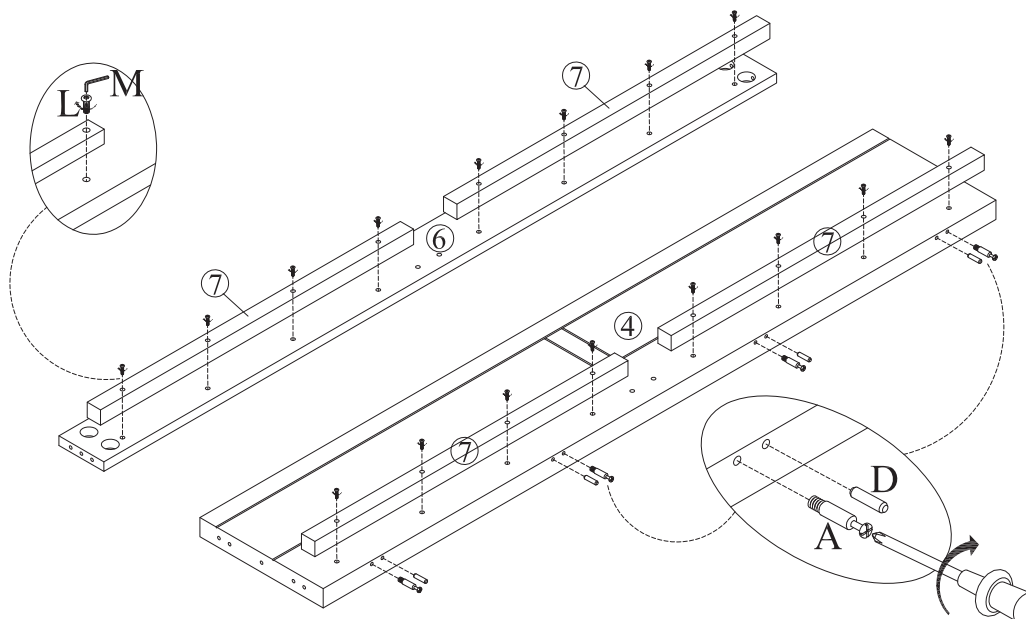
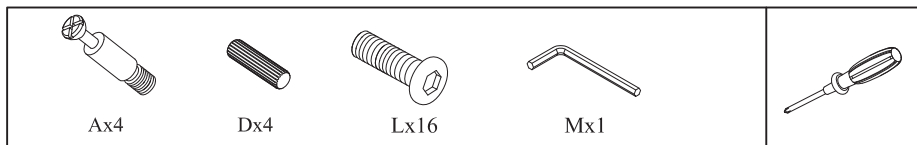
KEHRA

KR-0109BC

1



2

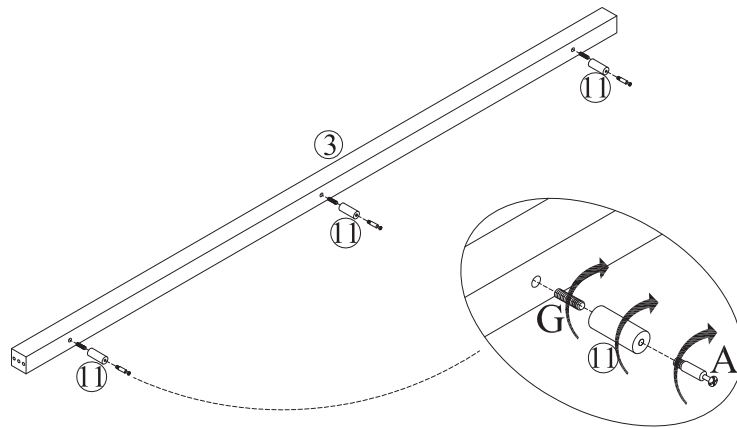


BANAK

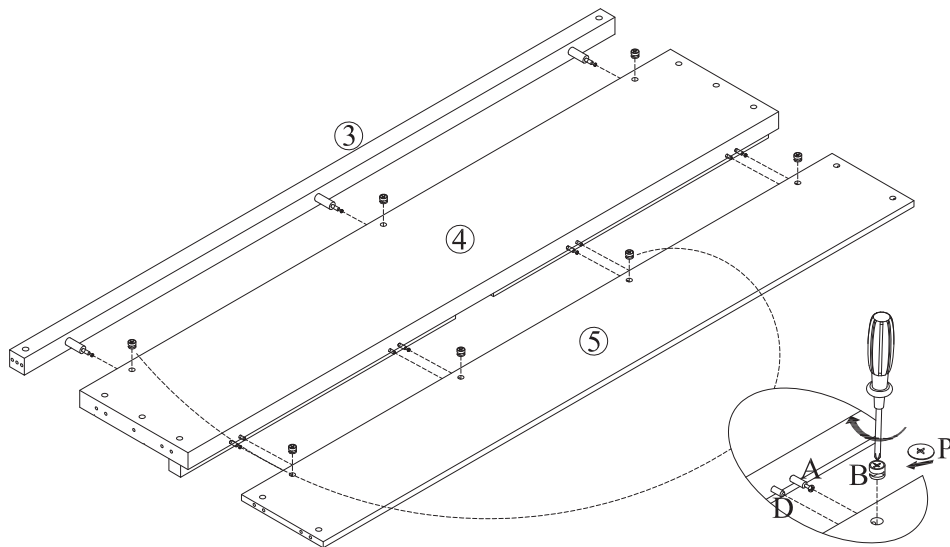
KEHRA

KR-0109BC

3



4

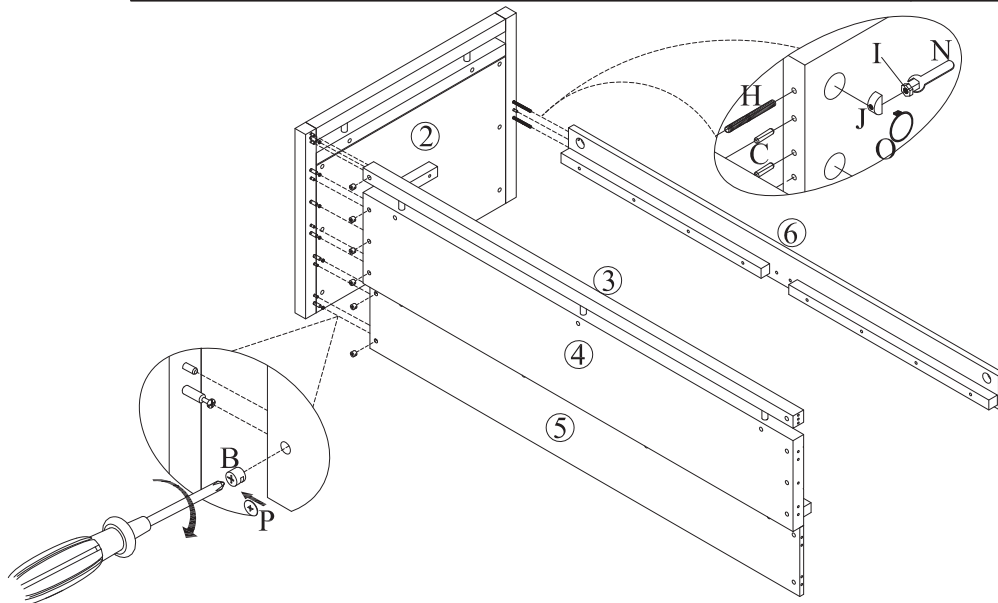
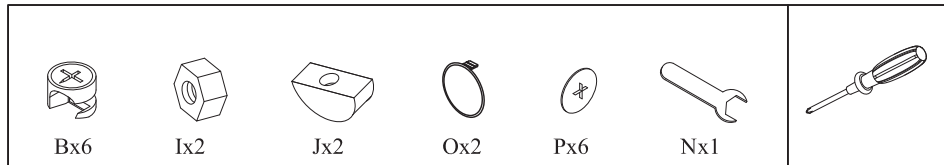


BANAK

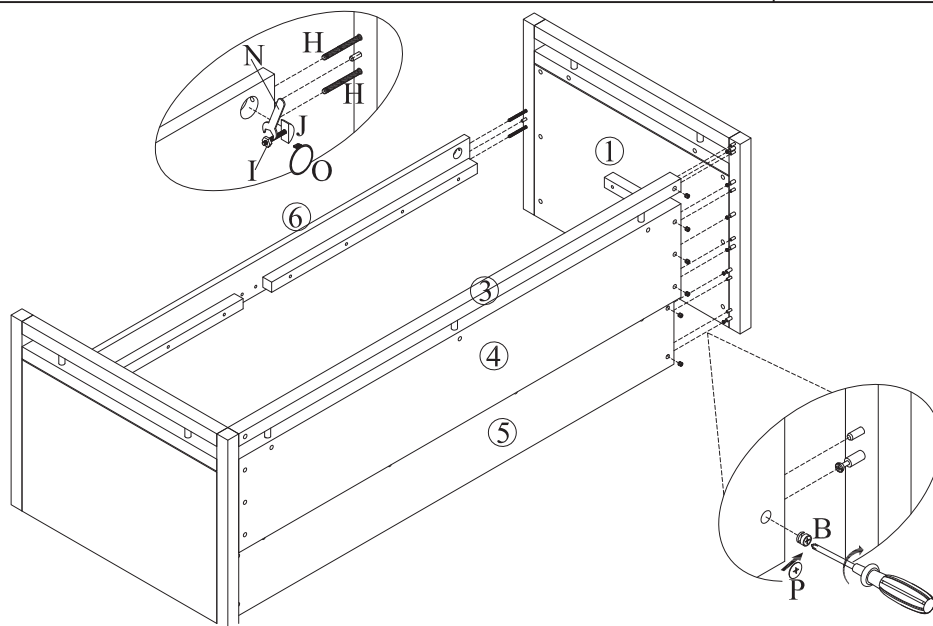
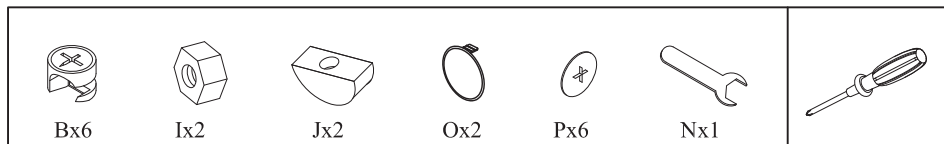
KEHRA

KR-0109BC

5



6



BANAK

KEHRA

KR-0109BC

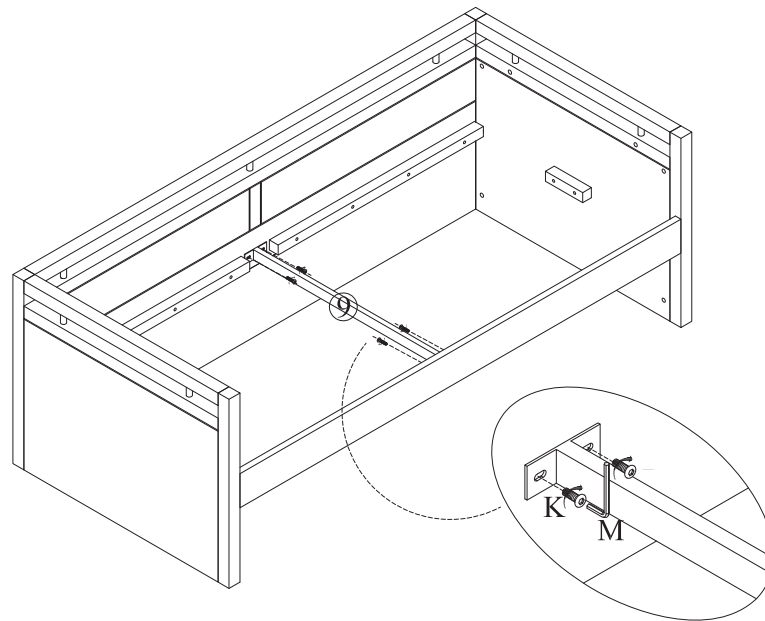
7



Kx4



Mx1



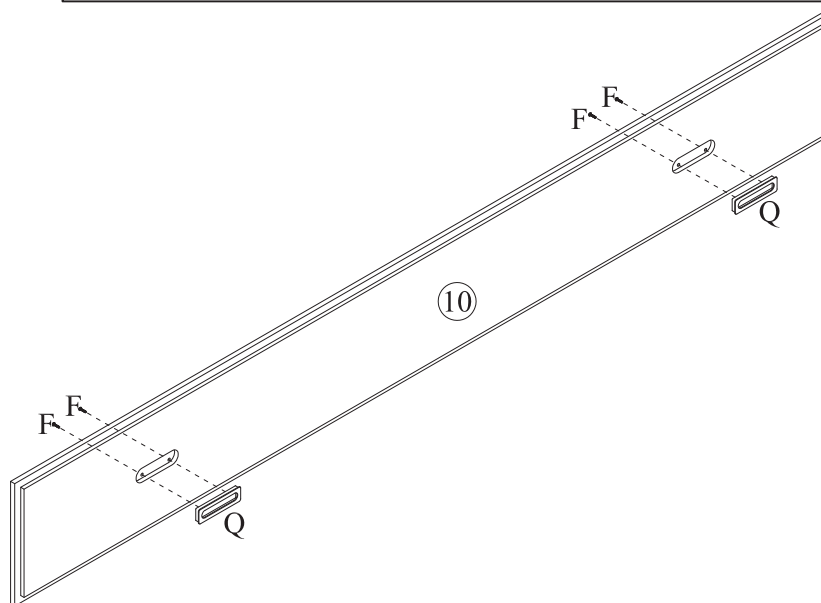
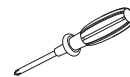
8



Fx4



Qx2



BANAK

KEHRA

KR-0109BC

