

BANAK

LILAND

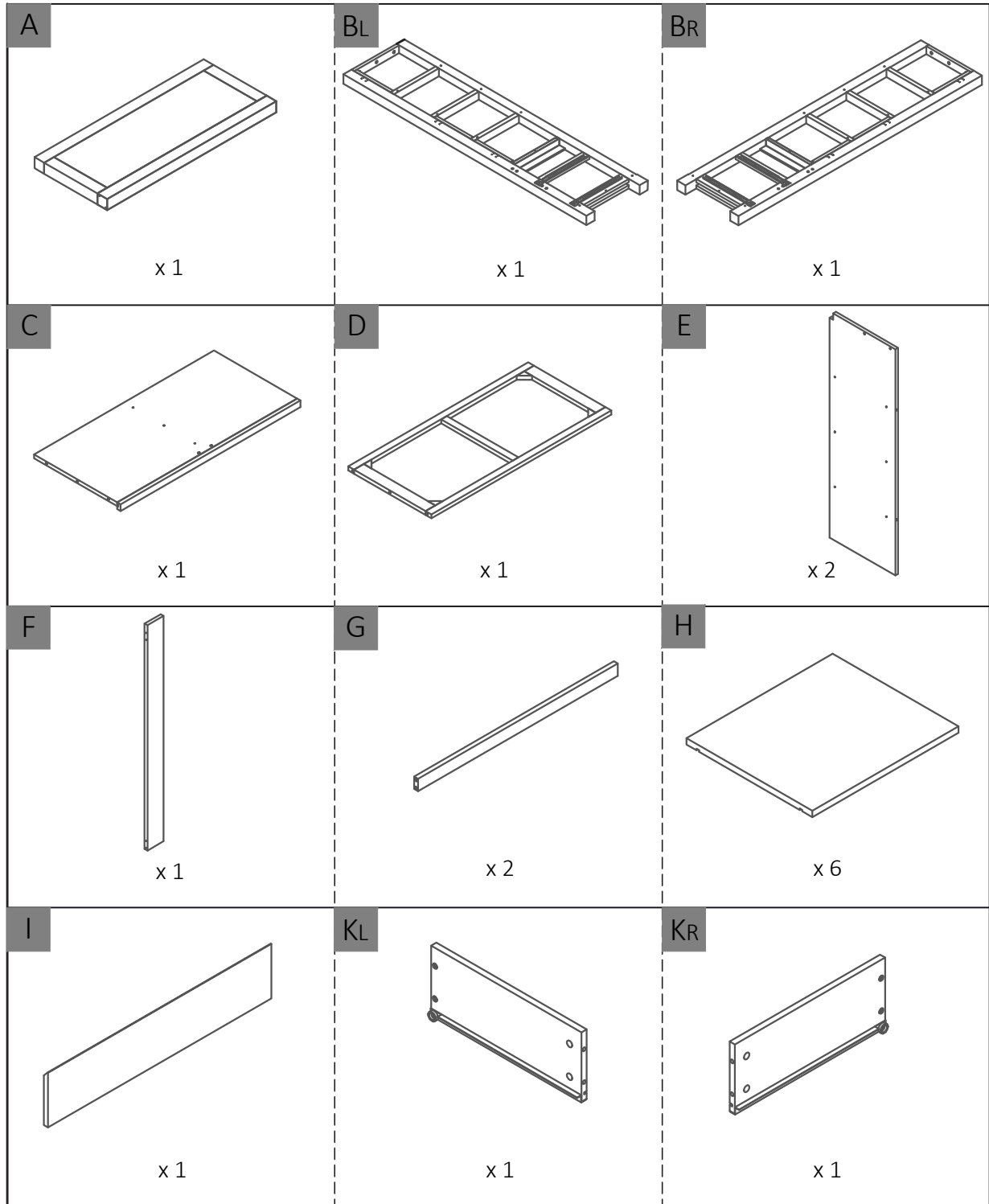
LD-0104



BANAK

LILAND

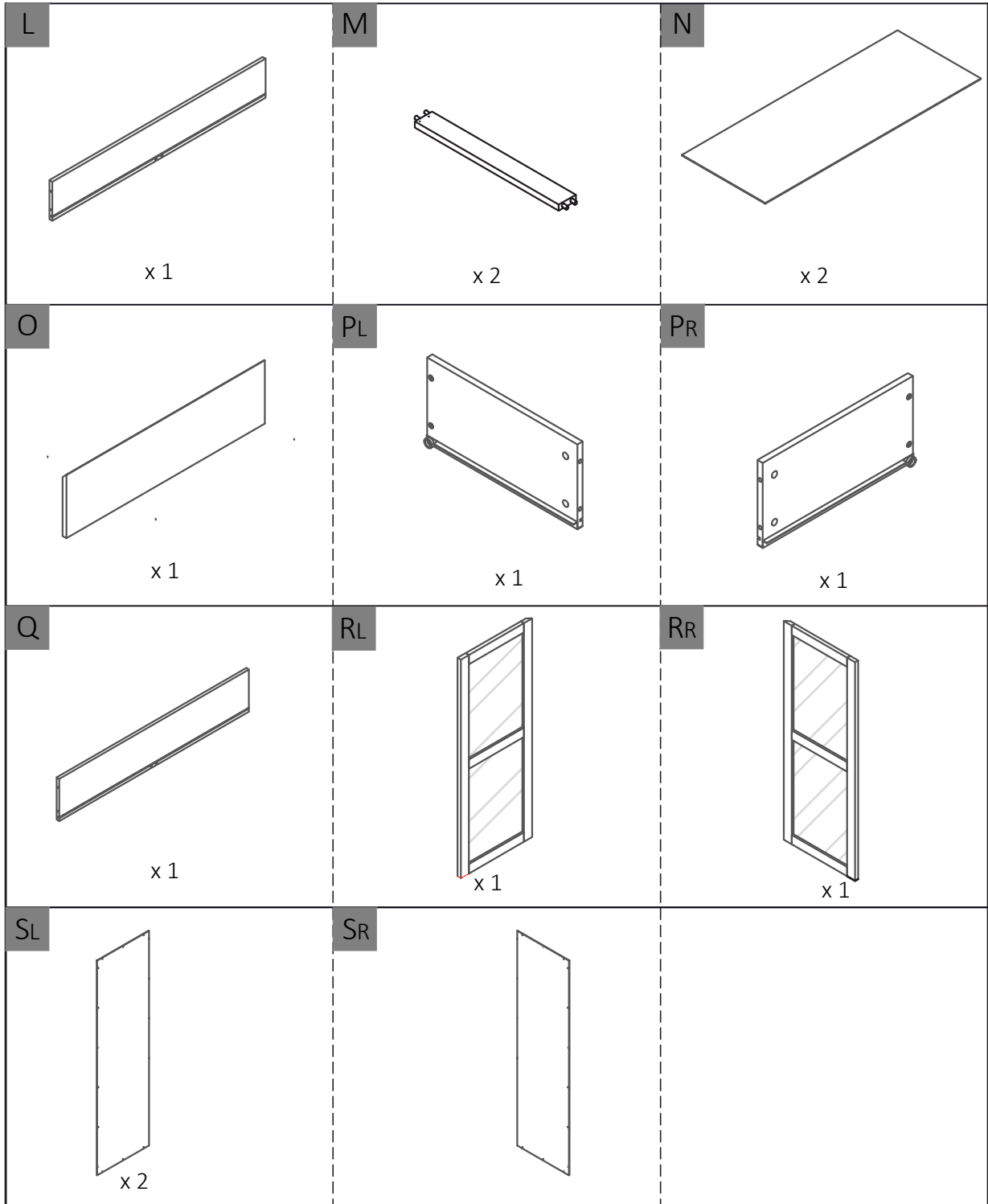
LD-0104



BANAK

LILAND

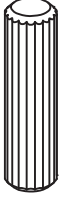

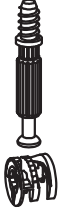
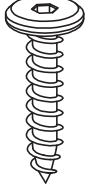


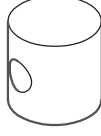
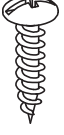

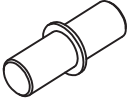

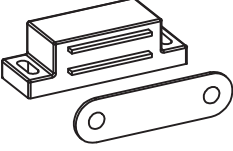
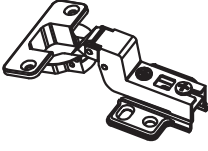
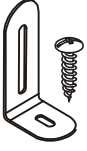

LD-0104



BANAK

LILAND

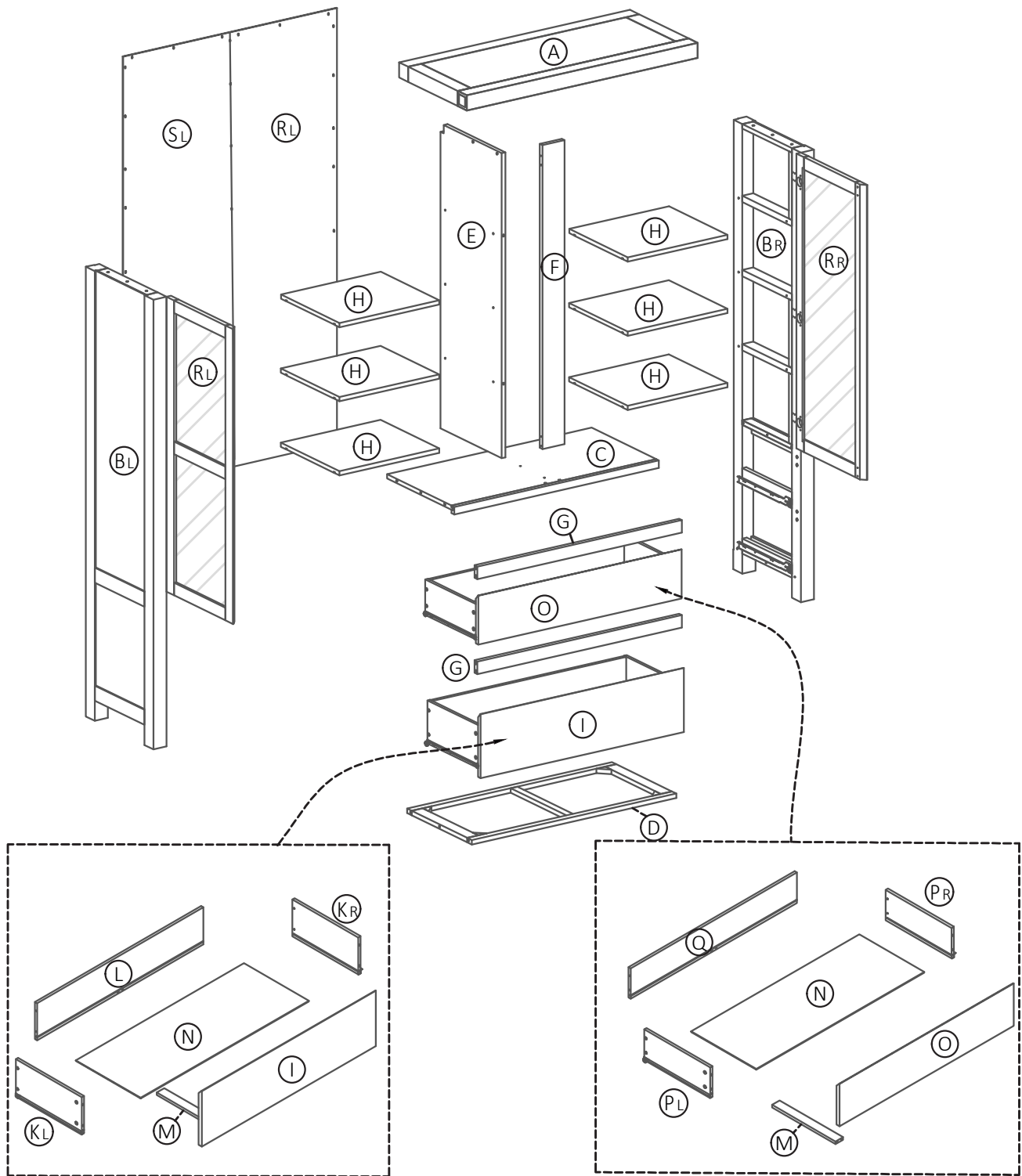
LD-0104

<p>1</p>  <p>Ø8X 30mm x 10</p>	<p>2</p>  <p>x 1</p>	<p>3</p>  <p>Ø15x10 x 17</p>	<p>4</p>  <p>M6 X 30mm x 9</p>
<p>5</p>  <p>Ø12x10 x 8</p>	<p>6</p>  <p>M4 X 30mm x 8</p>	<p>7</p>  <p>M8 X 8mm x 8</p>	<p>8</p>  <p>M4 X 15mm x 28</p>
<p>9</p>  <p>M3 X 15mm x 16</p>	<p>10</p>  <p>x 24</p>	<p>11</p>  <p>M4 X 15mm x 36</p>	<p>12</p>  <p>x 4</p>
<p>13</p>  <p>x 6</p>	<p>14</p>  <p>x 2</p>	<p>15</p>  <p>x 9</p>	

BANAK

LILAND

LD-0104

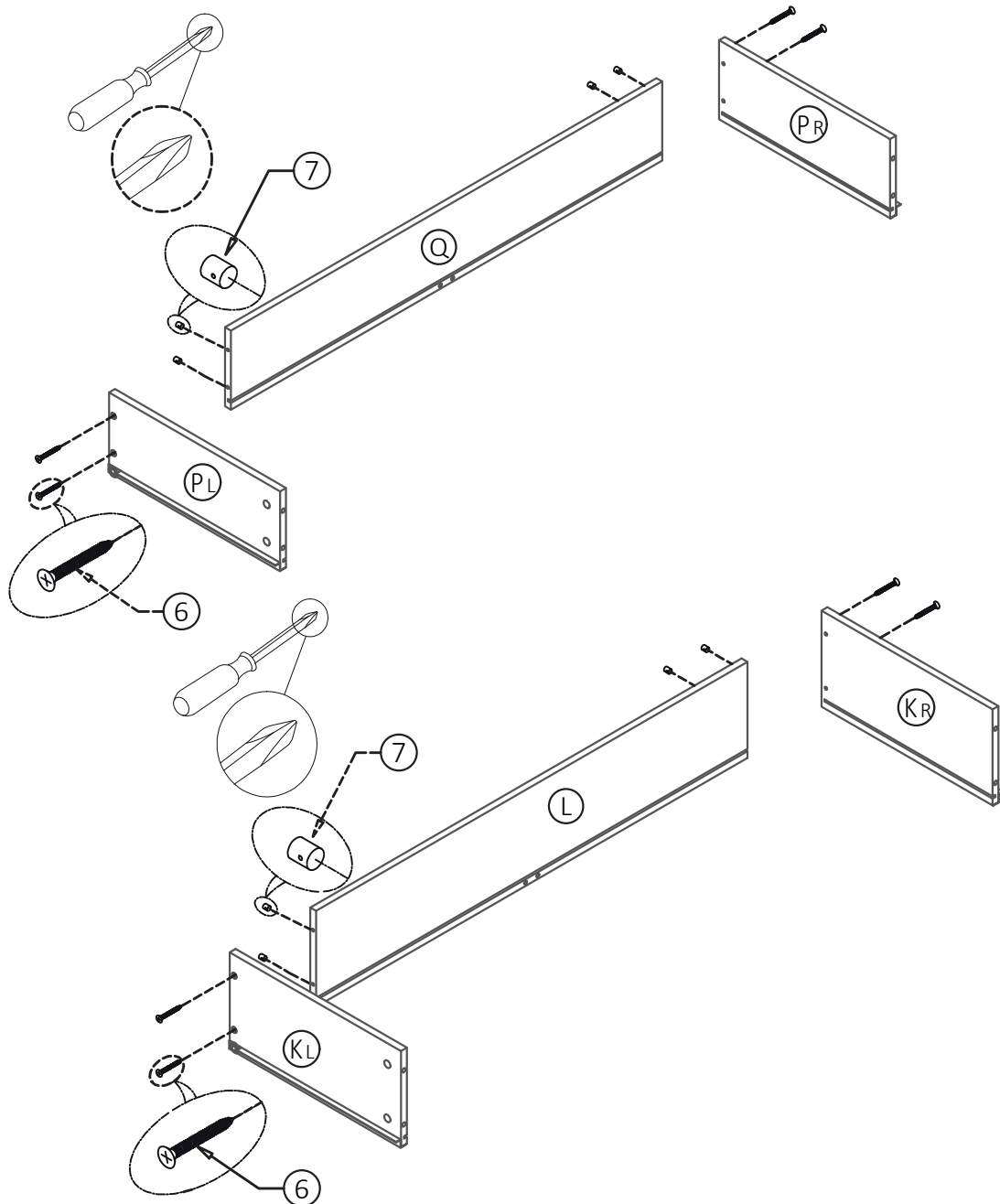


BANAK

LILAND

LD-0104

1

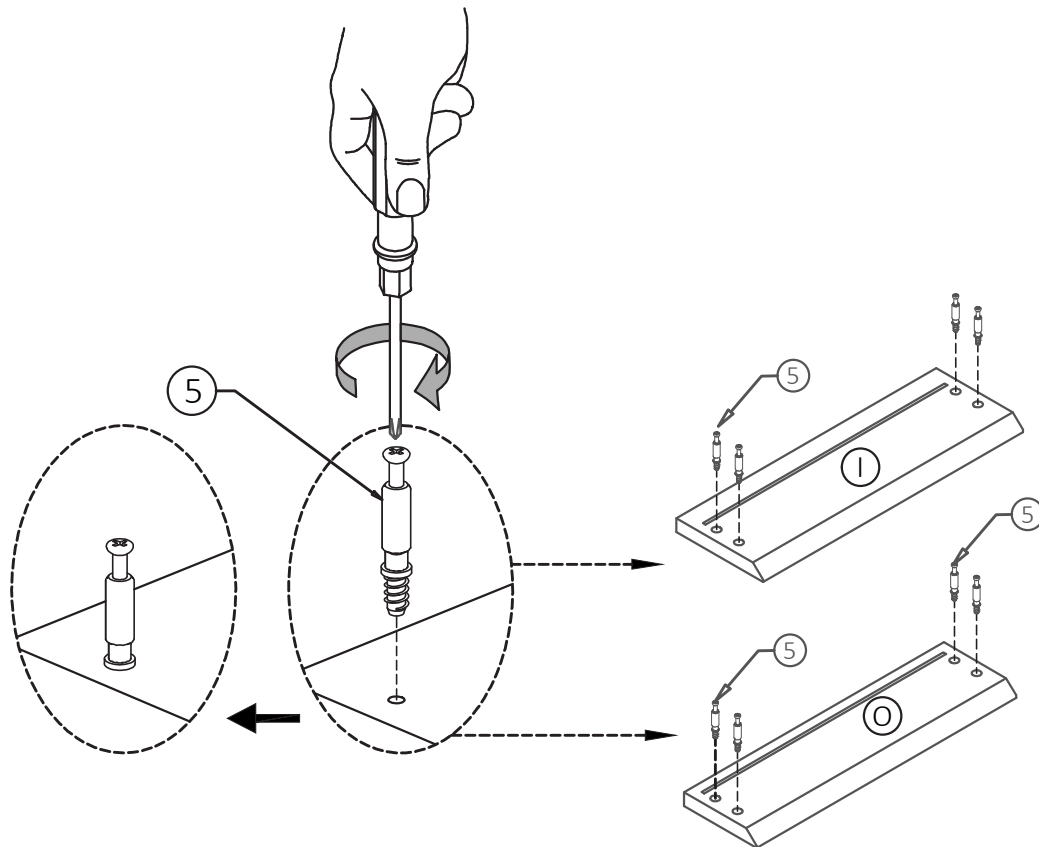
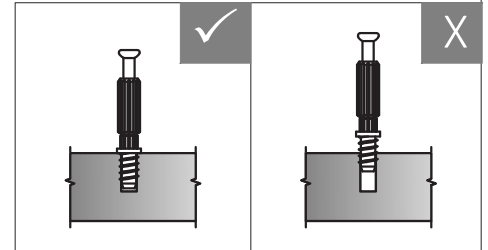


BANAK

LILAND

LD-0108

2

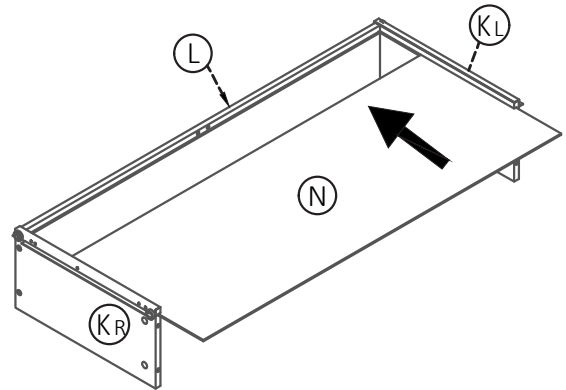
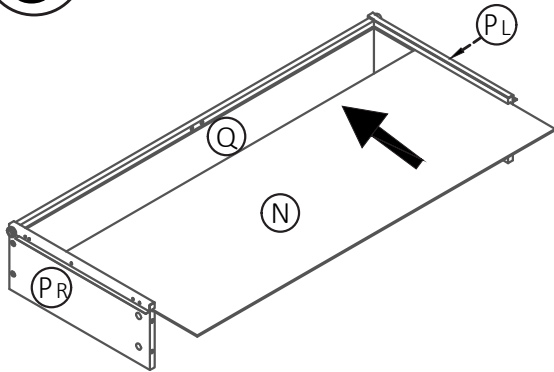


BANAK

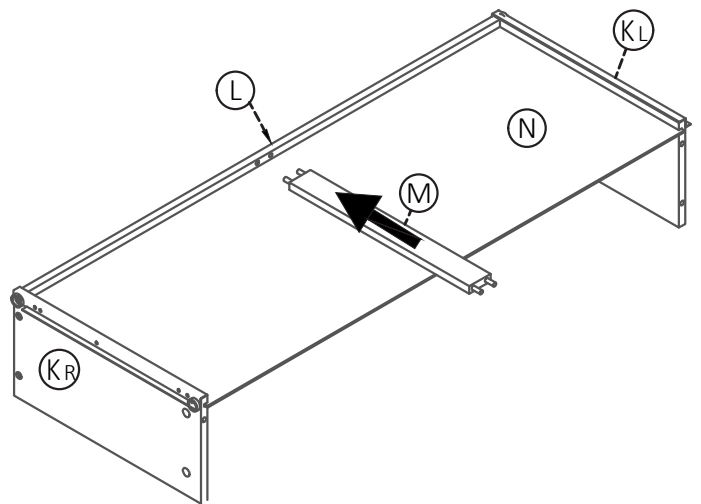
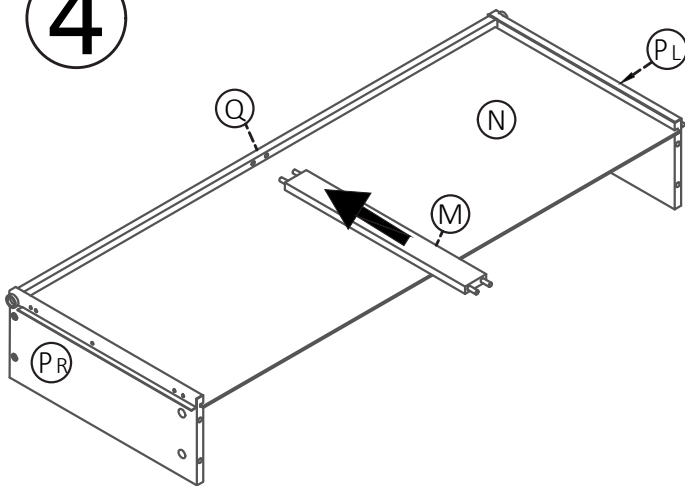
LILAND

LD-0104

3



4

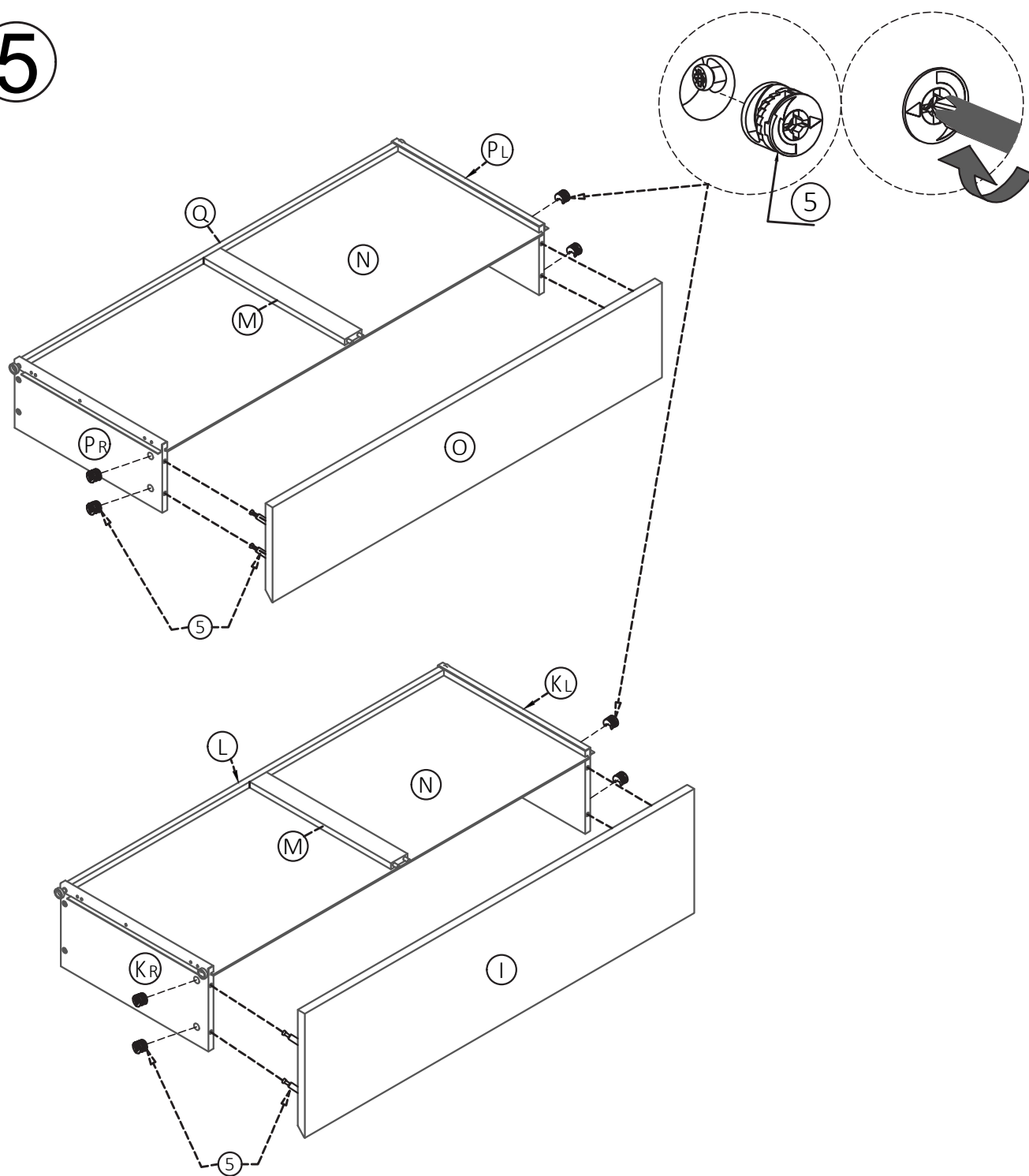


BANAK

LILAND

LD-0104

5

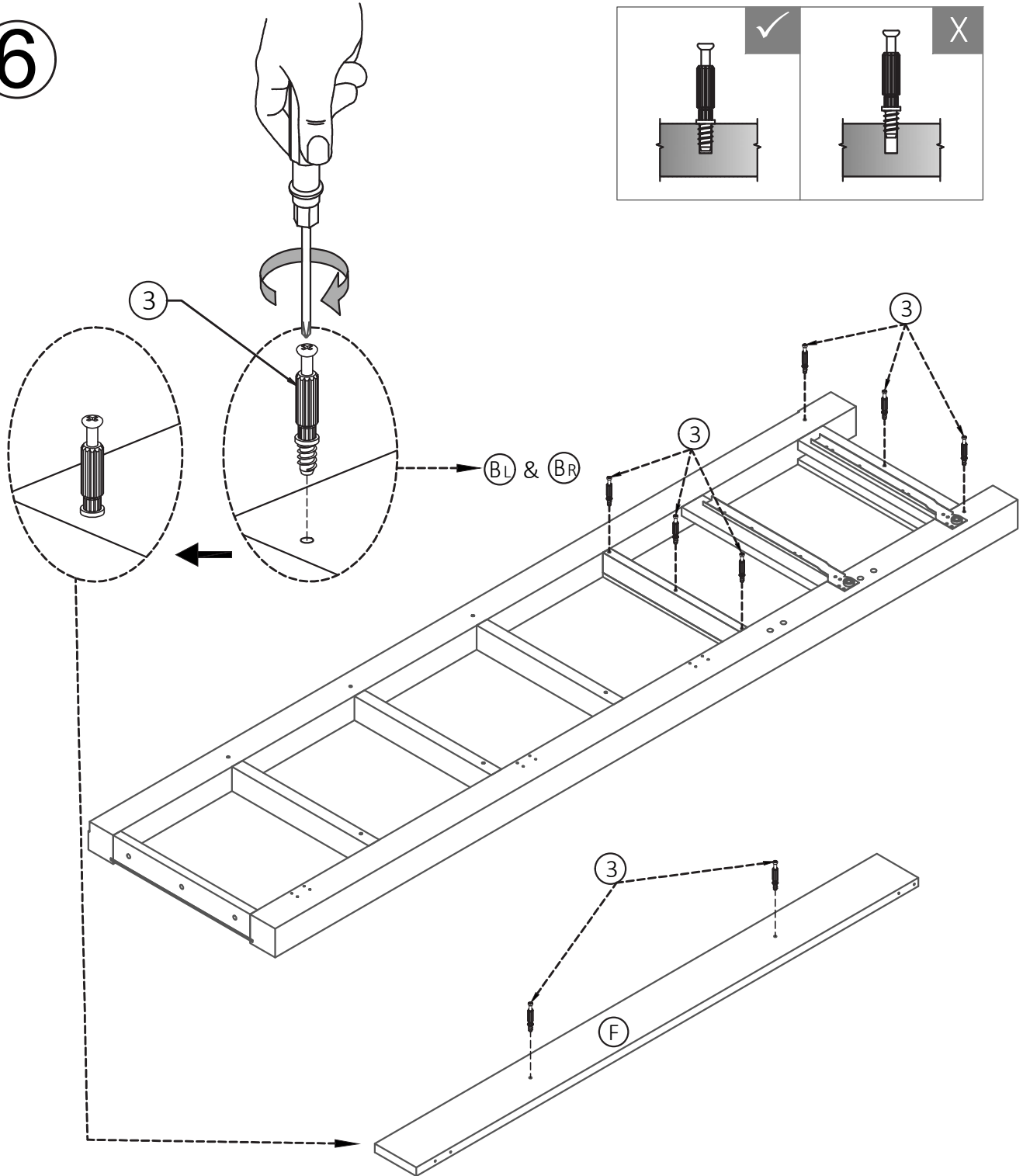


BANAK

LILAND

LD-0104

6

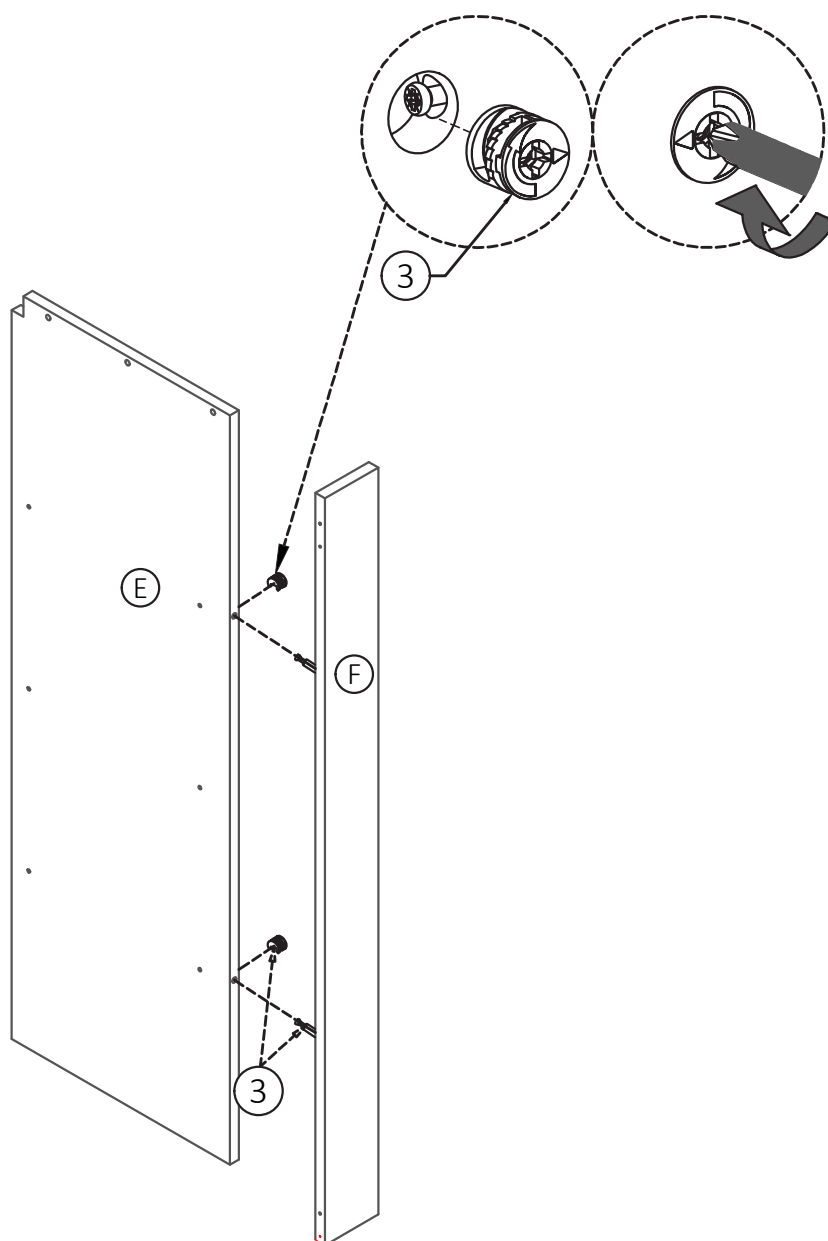


BANAK

LILAND

LD-0104

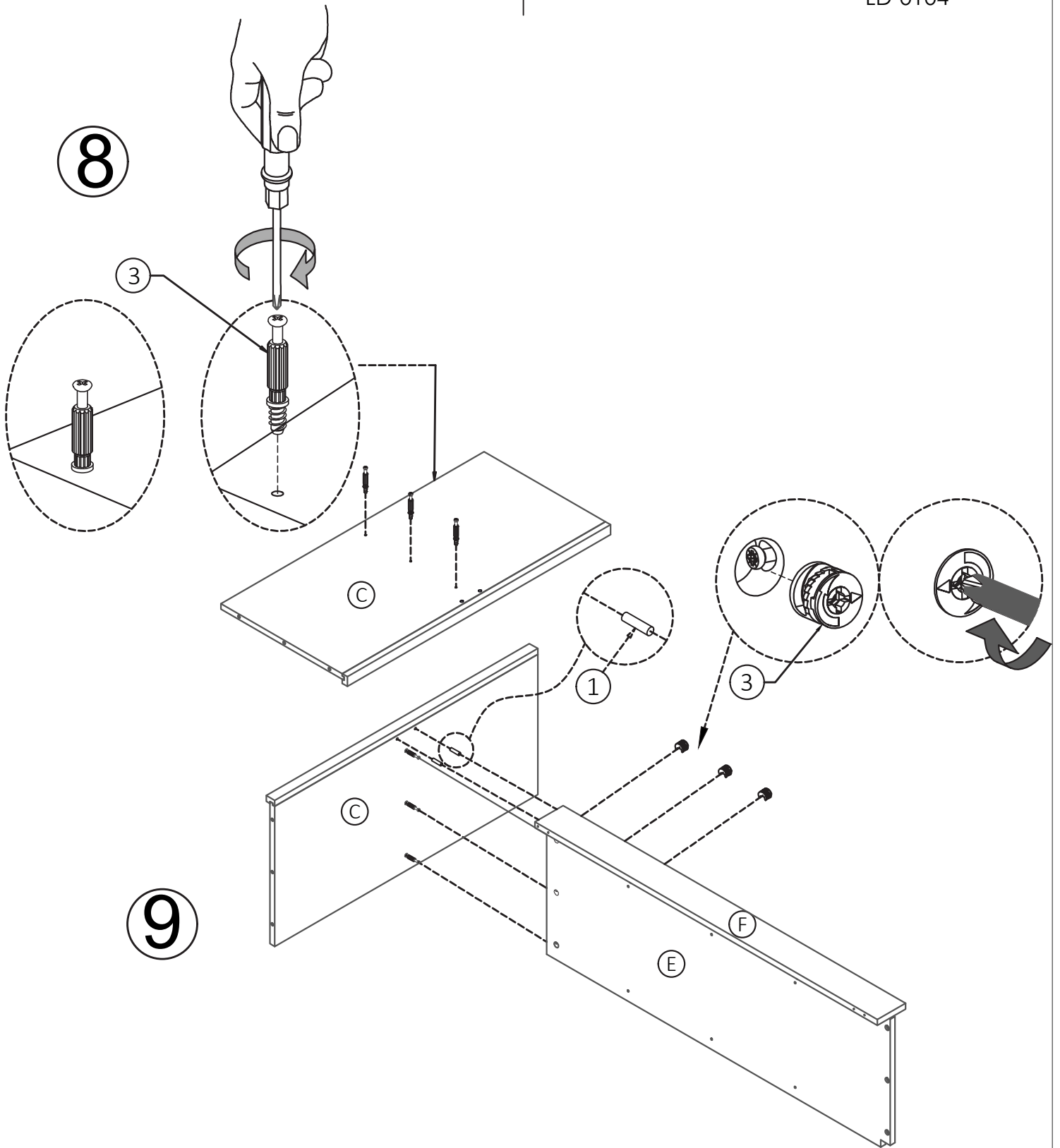
7



BANAK

LILAND

LD-0104

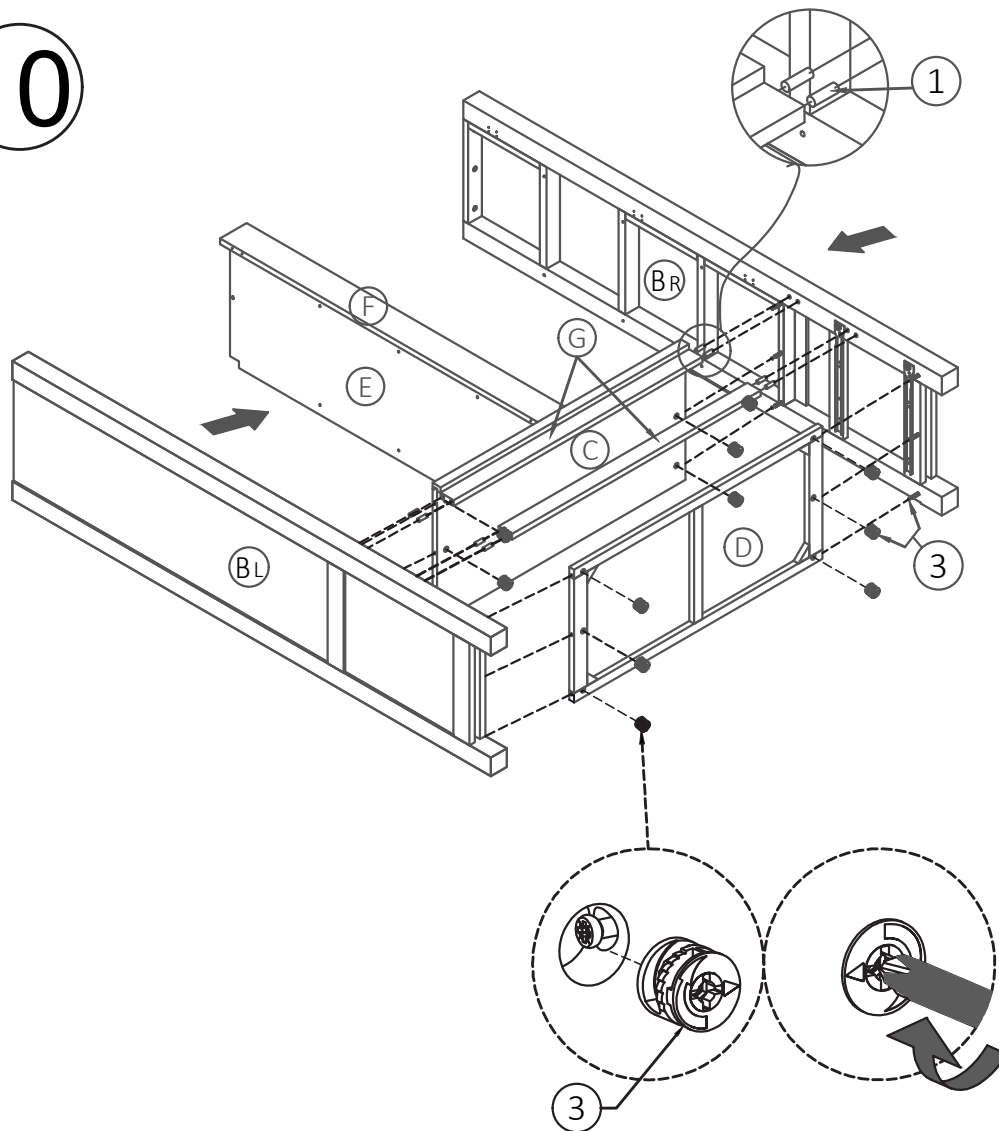


BANAK

LILAND

LD-0104

10

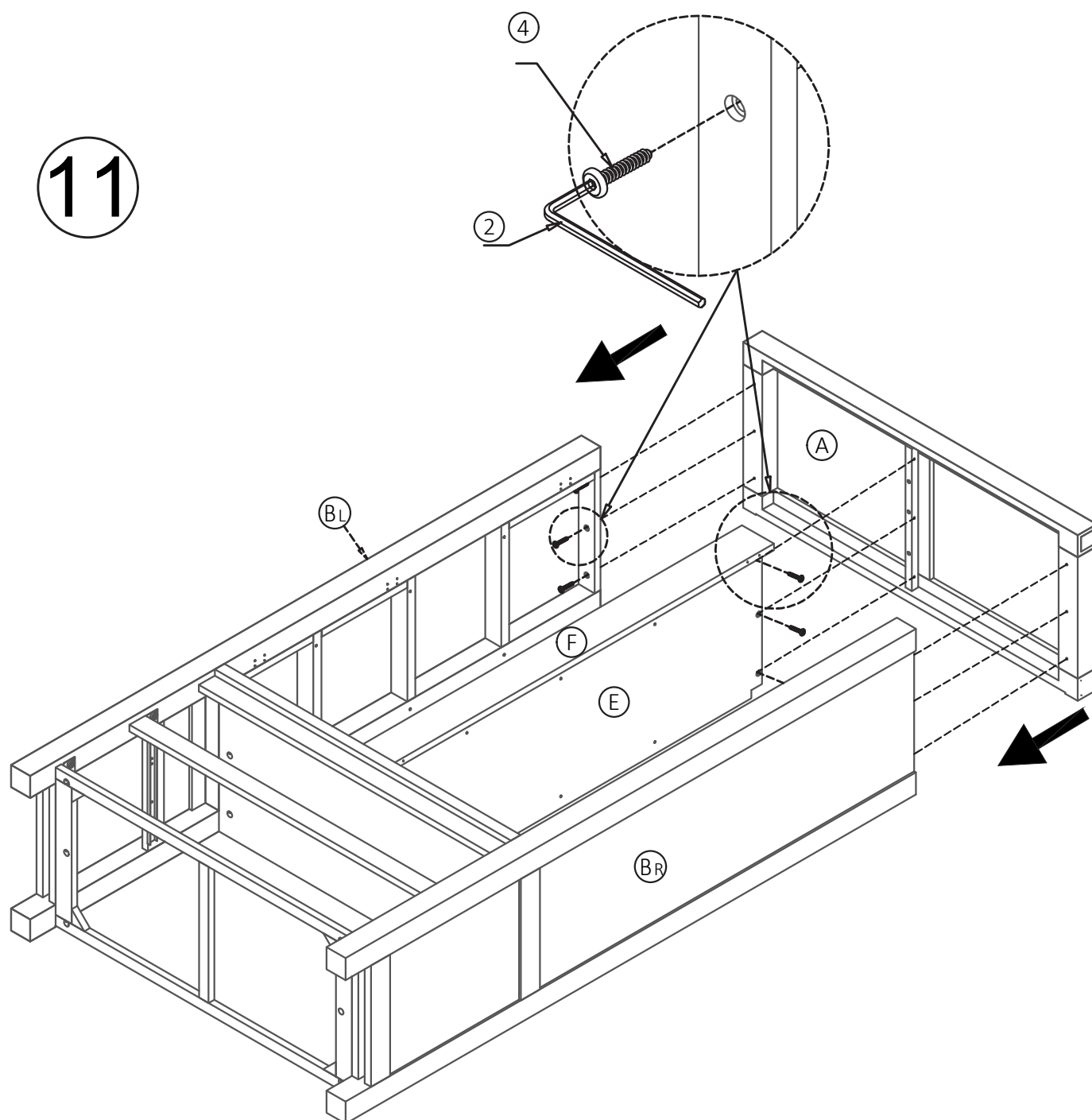


BANAK

LILAND

LD-0104

11

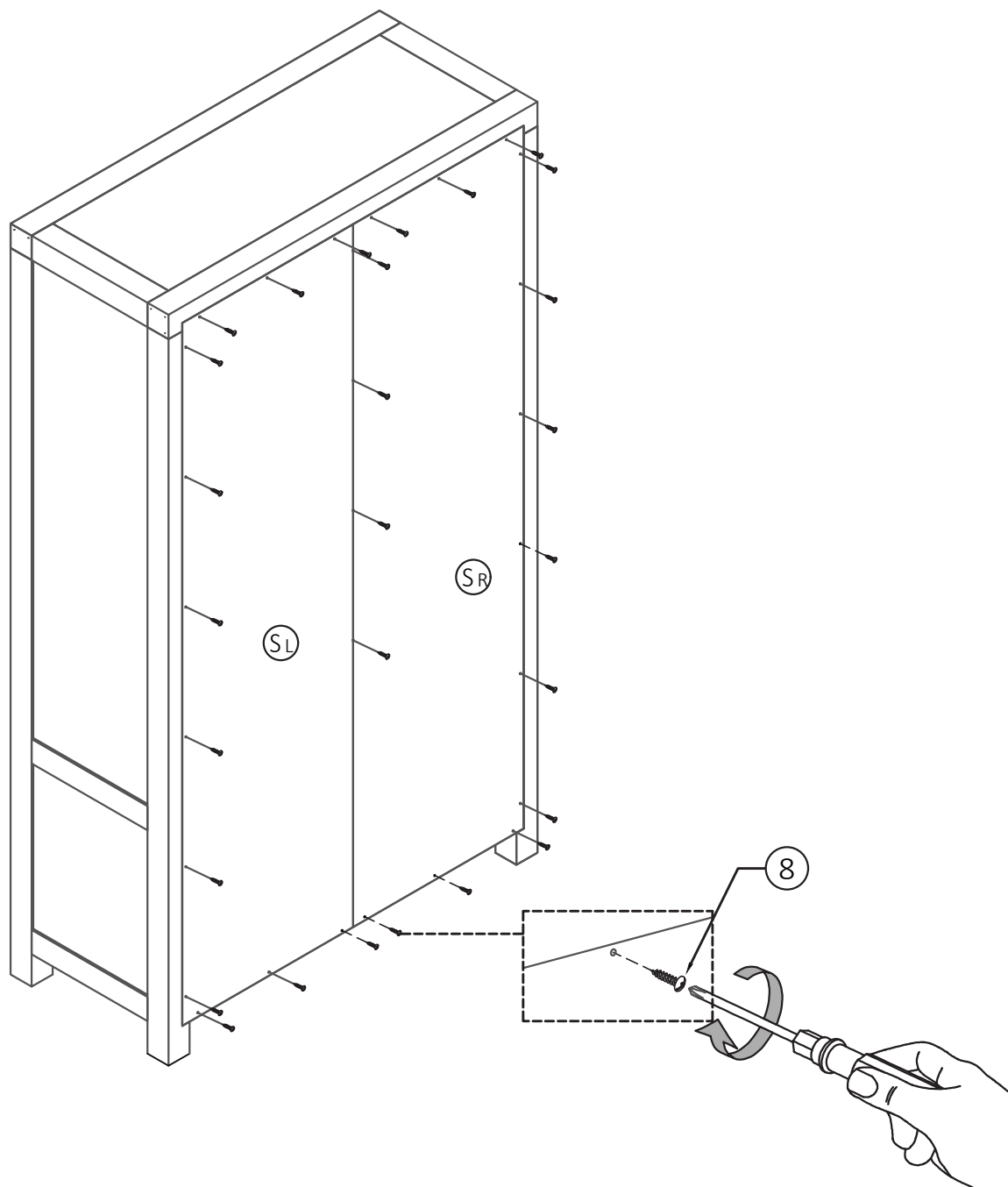


BANAK

LILAND

LD-0104

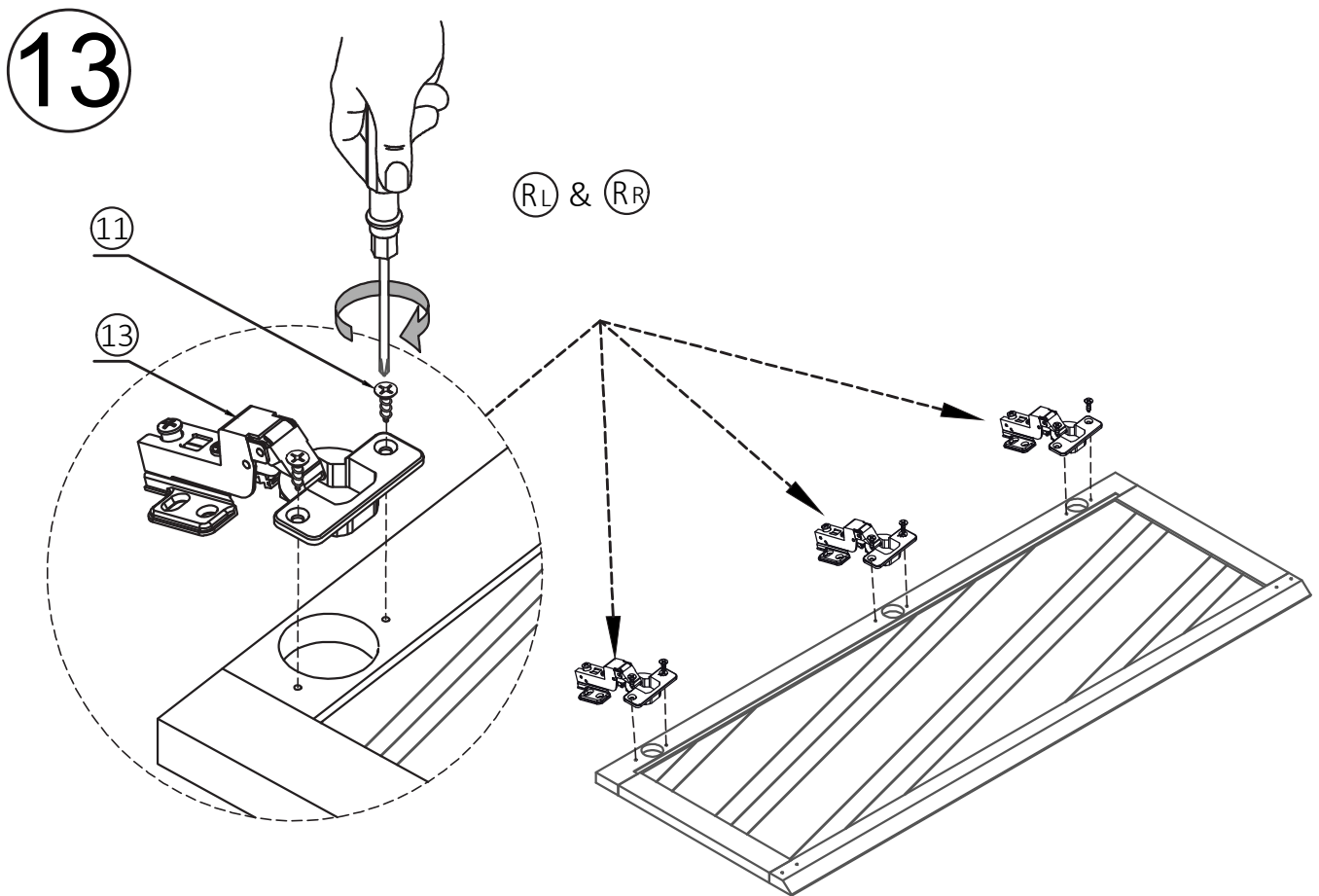
12



BANAK

LILAND

LD-0104

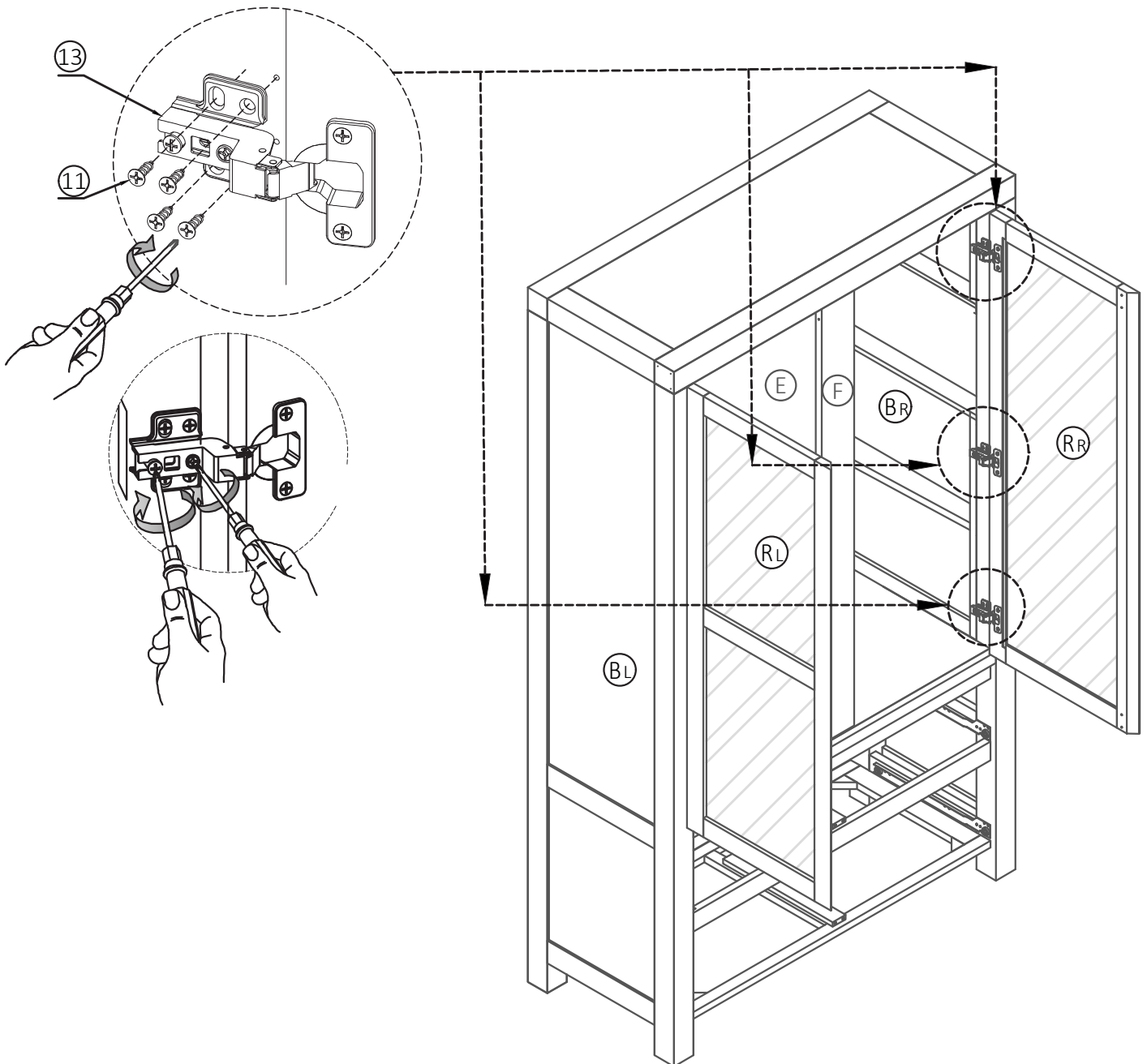


BANAK

LILAND

LD-0104

14

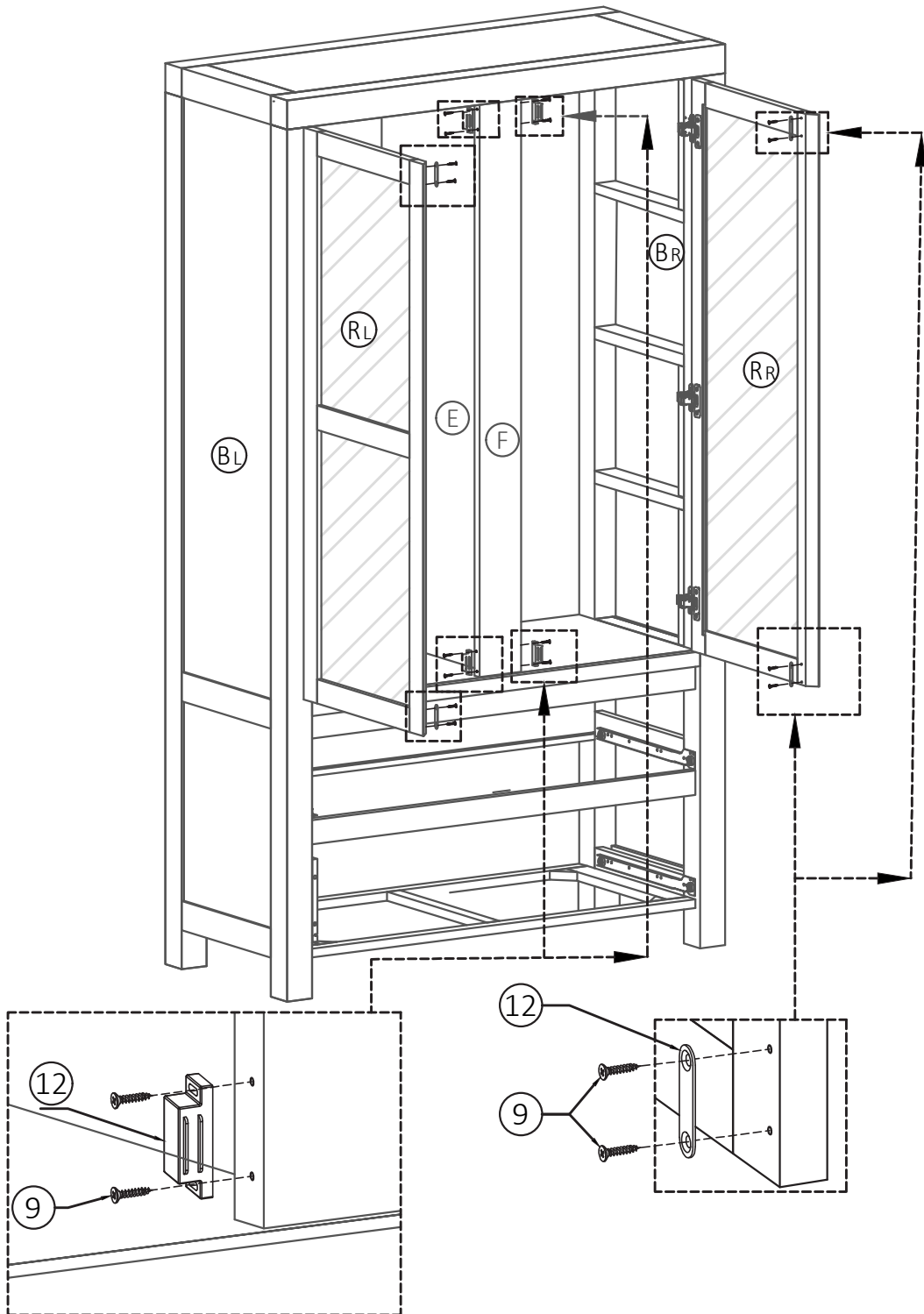


BANAK

LILAND

LD-0104

15

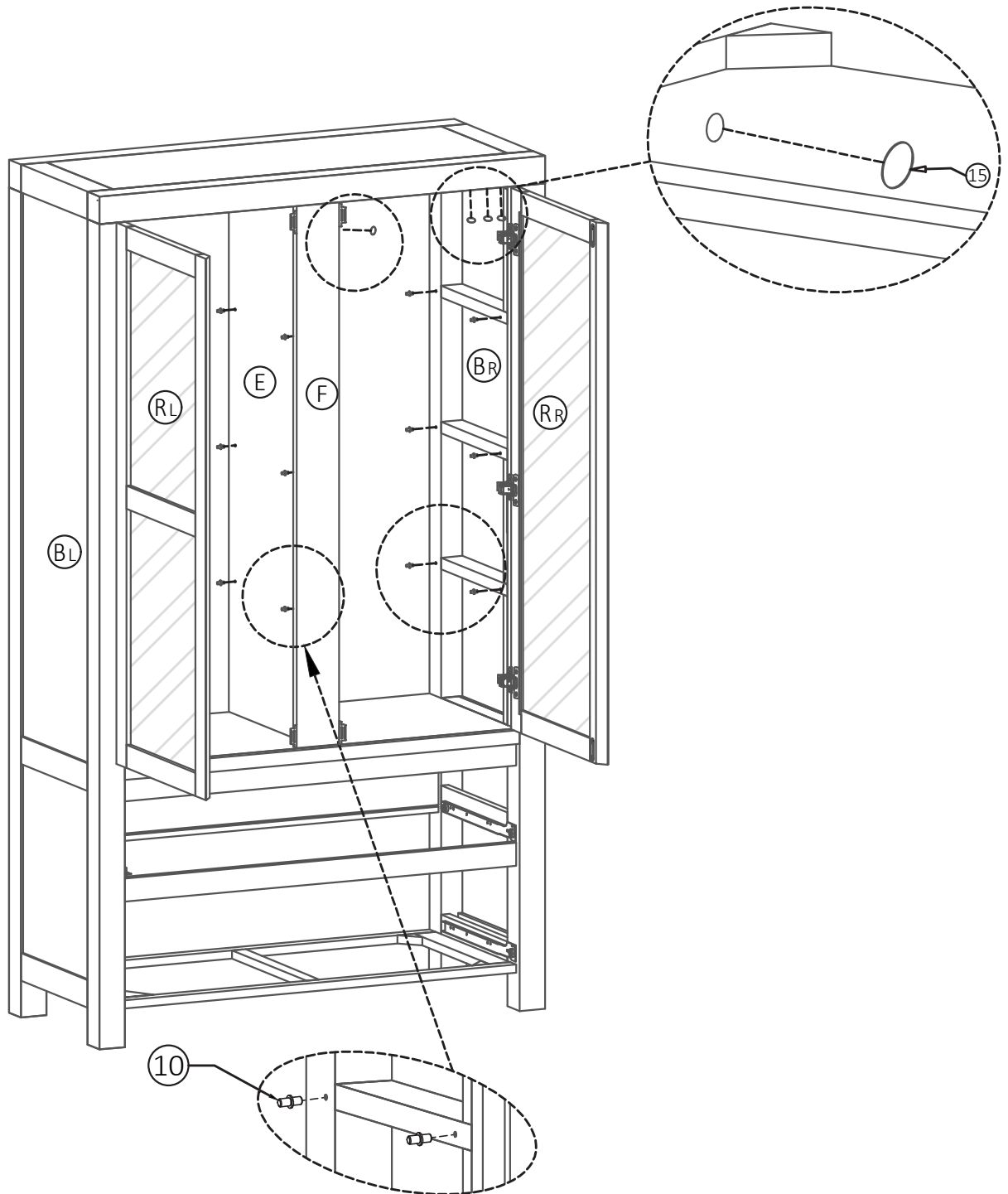


BANAK

LILAND

LD-0104

16

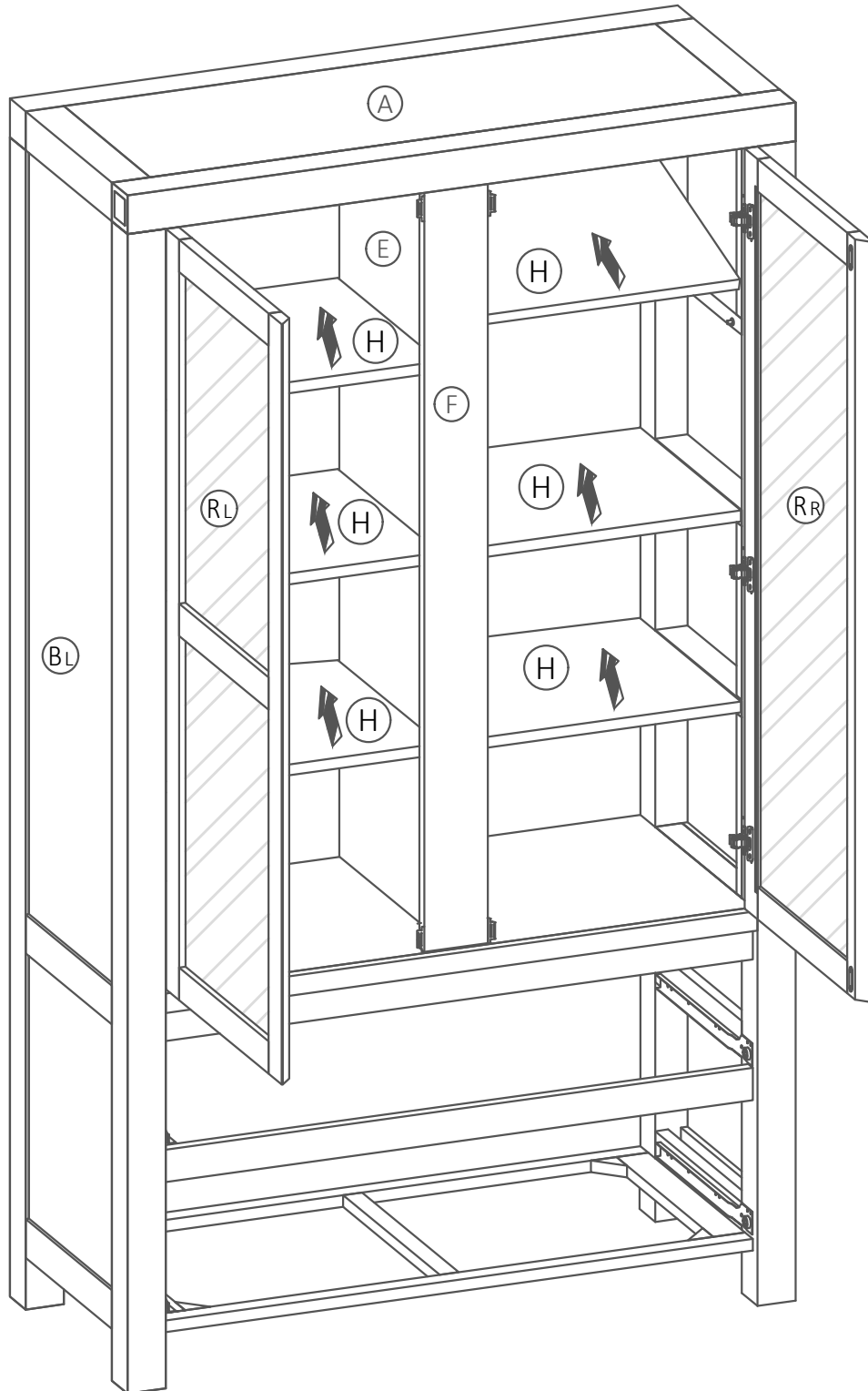


BANAK

LILAND

LD-0104

17

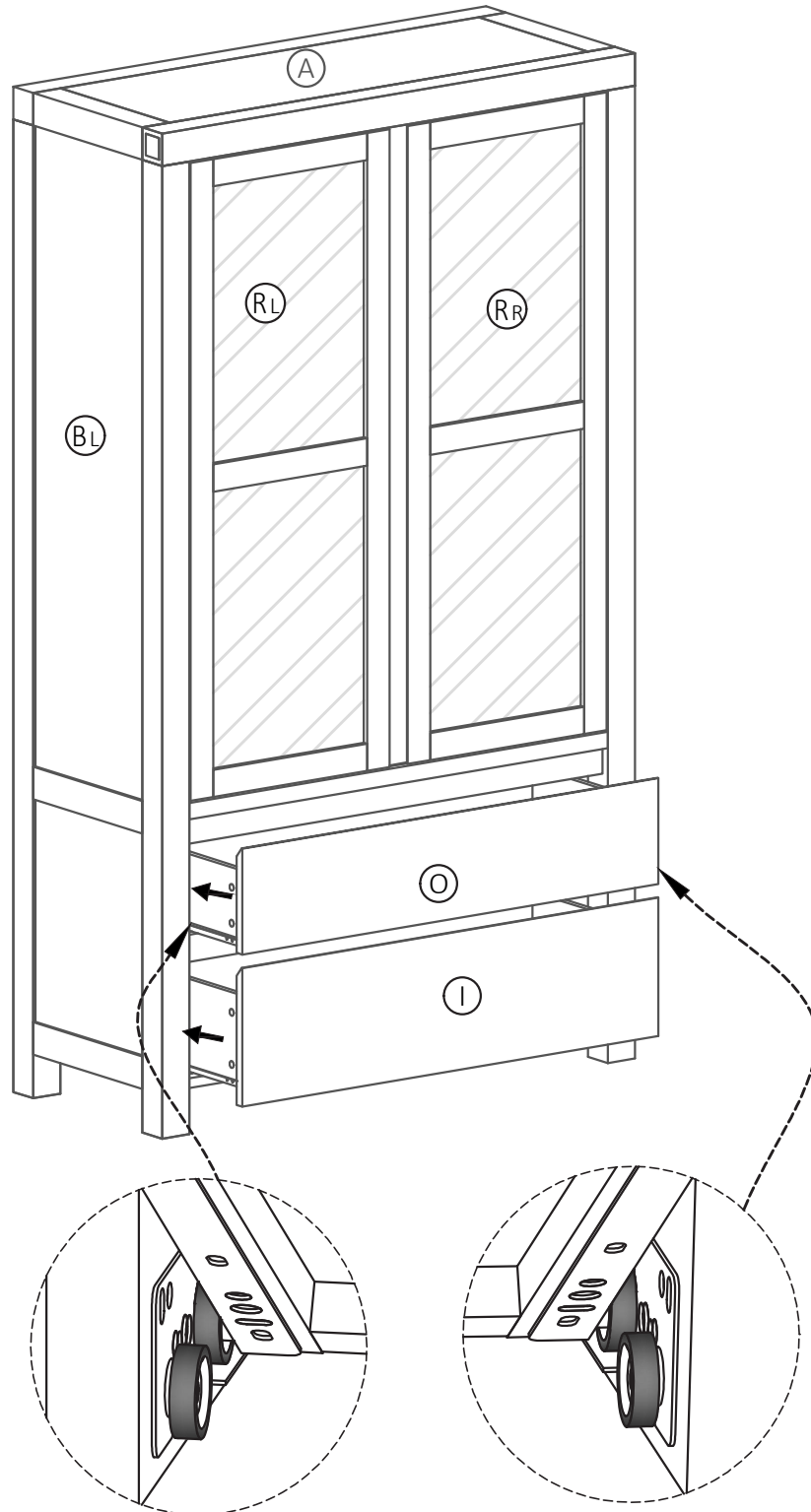


BANAK

LILAND

LD-0104

18



BANAK

LILAND

LD-0104

19

