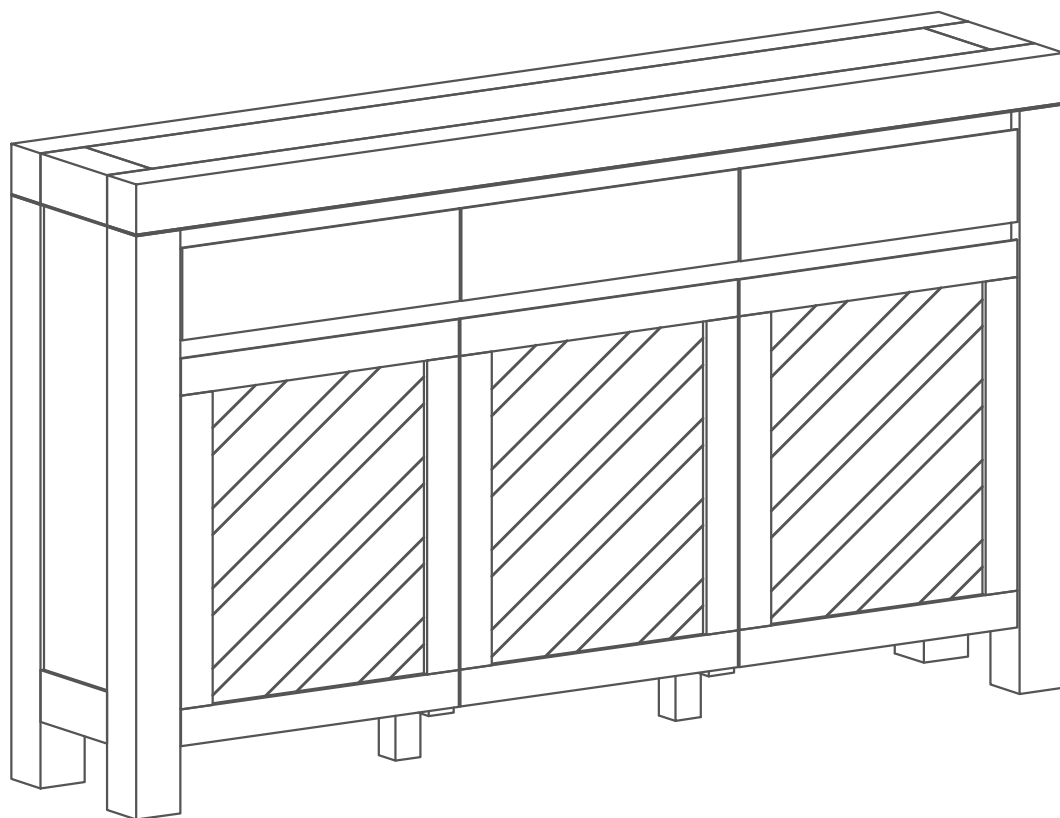


BANAK

LILAND

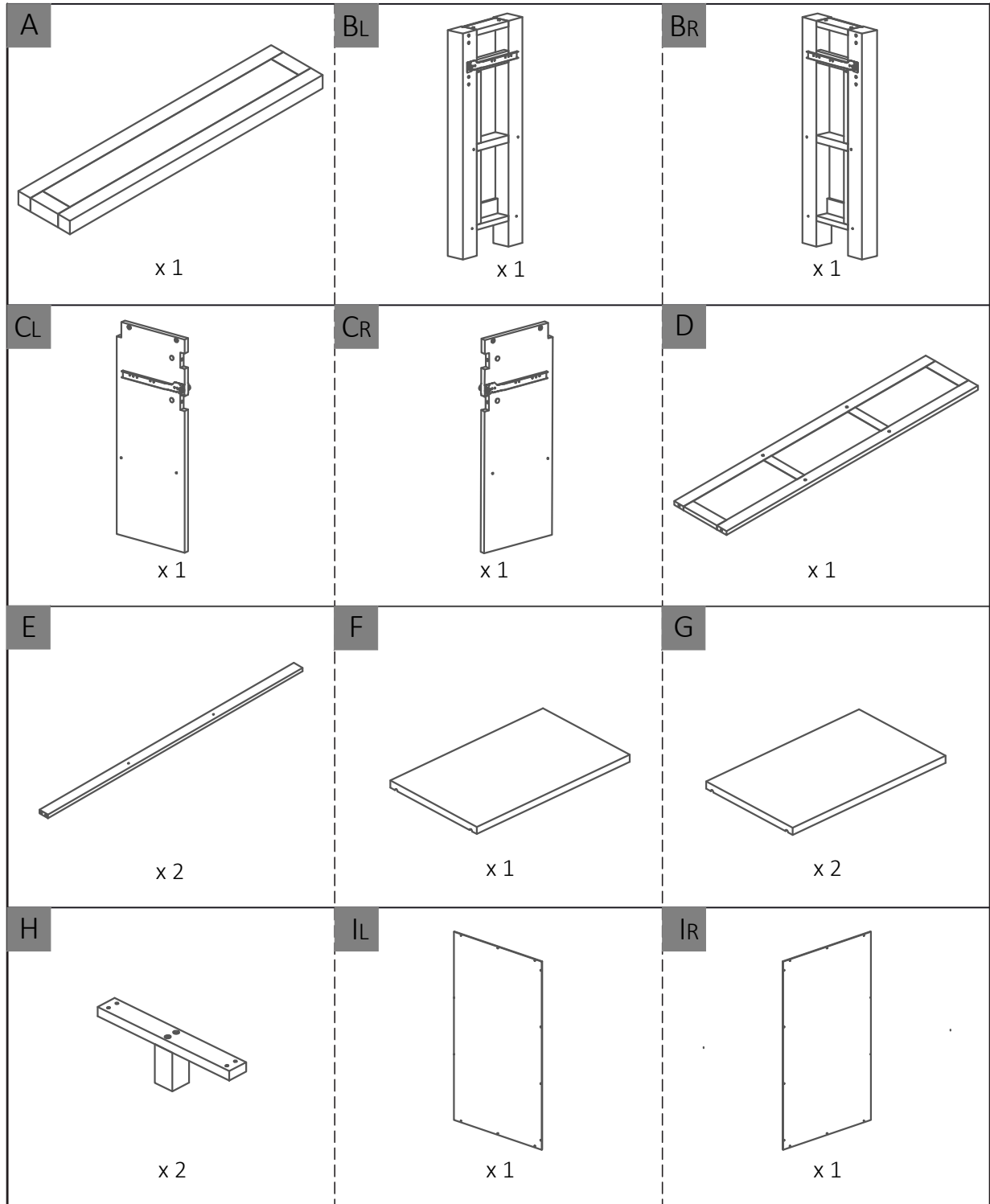
LD-0107



BANAK

LILAND

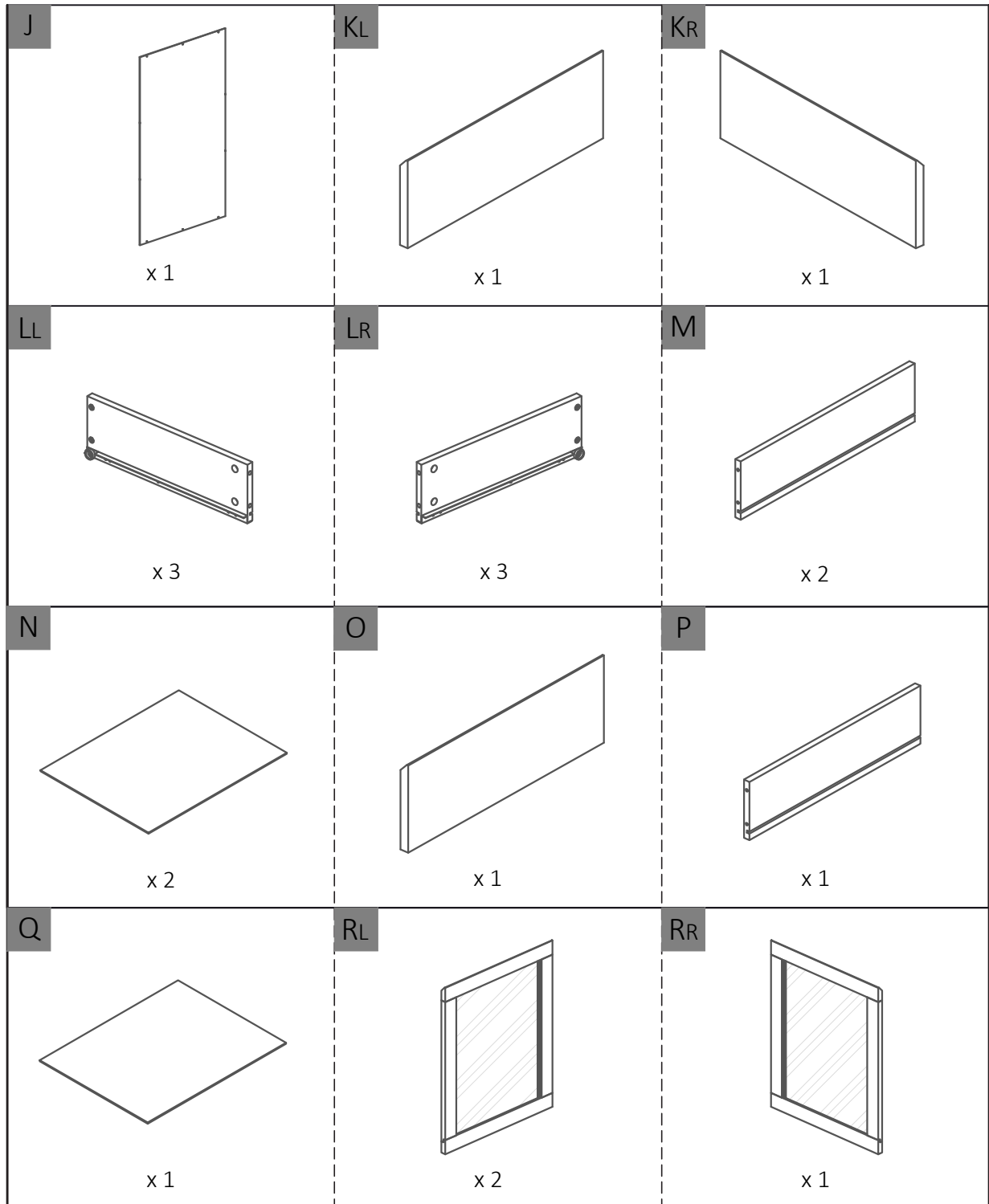
LD-0107



BANAK

LILAND

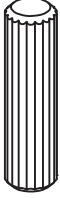
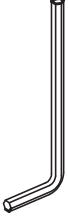
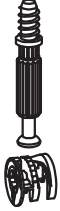
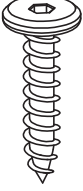

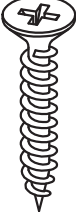



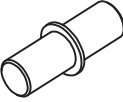

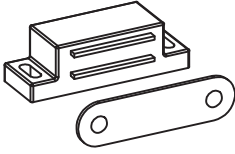
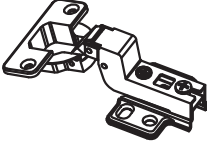
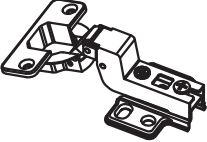
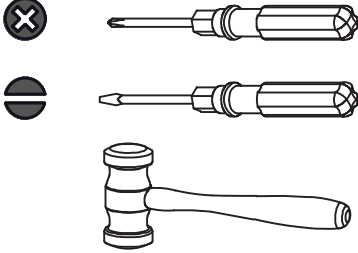

LD-0107



BANAK

LILAND

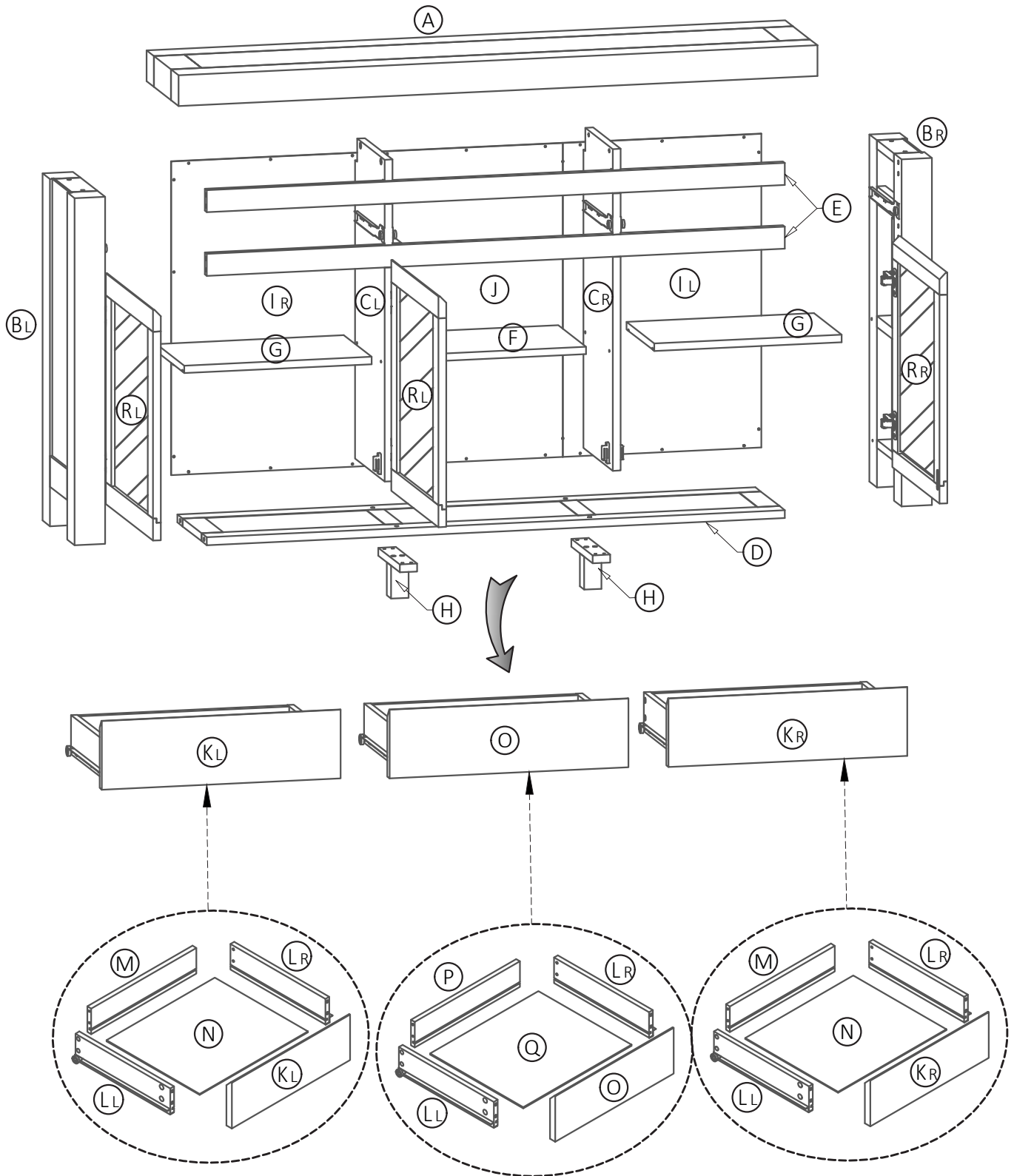
LD-0107

| | | | |
|--|---|--|---|
| <p>1</p>  <p>Ø8 X 30mm x 8</p> | <p>2</p>  <p>M4x100 x 1</p> | <p>3</p>  <p>Ø15x10 x 10</p> | <p>4</p>  <p>M6 X 30mm x 12</p> |
| <p>5</p>  <p>Ø12x10 x 12</p> | <p>6</p>  <p>M4 X 30mm x 20</p> | <p>7</p>  <p>M8 X 8mm x 12</p> | <p>8</p>  <p>M4 X 15mm x 34</p> |
| <p>9</p>  <p>M3 X 15mm x 12</p> | <p>10</p>  <p>x 12</p> | <p>11</p>  <p>M4 X 15mm x 36</p> | <p>12</p>  <p>x 3</p> |
| <p>13</p>  <p>x 4</p> | <p>14</p>  <p>x 2</p> |   | |

BANAK

LILAND

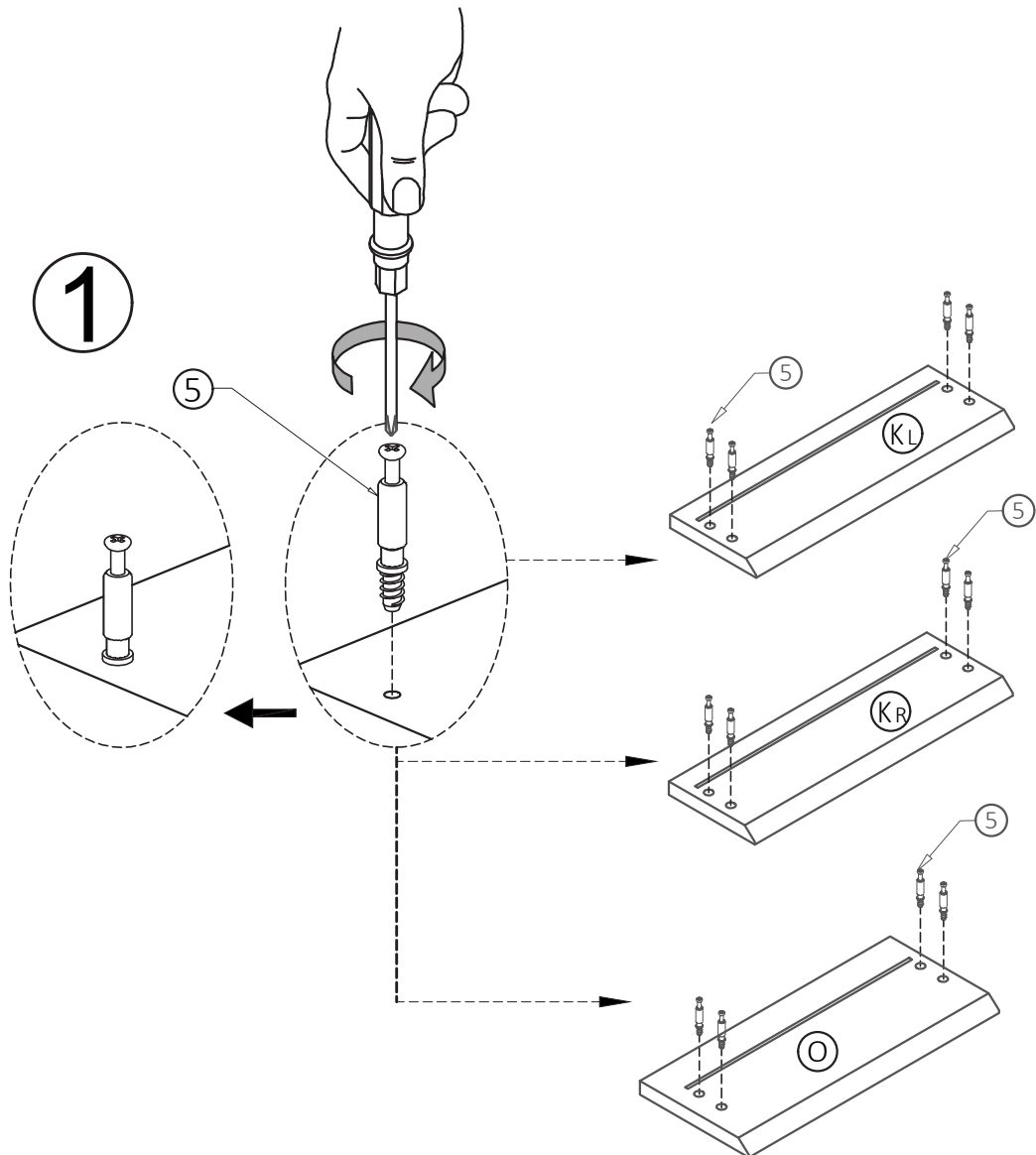
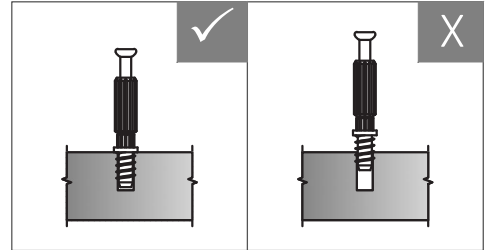
LD-0107



BANAK

LILAND

LD-0107

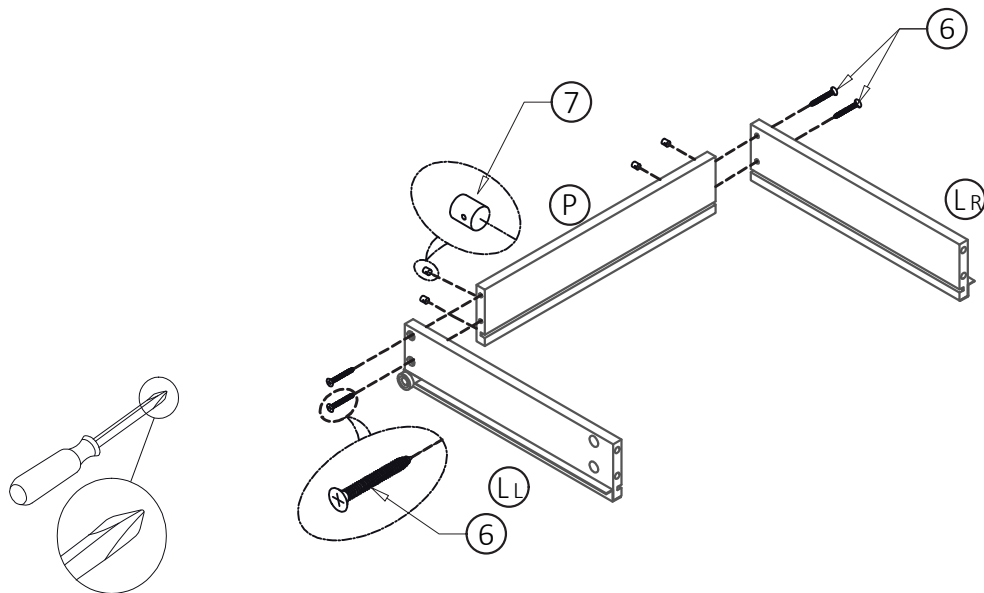
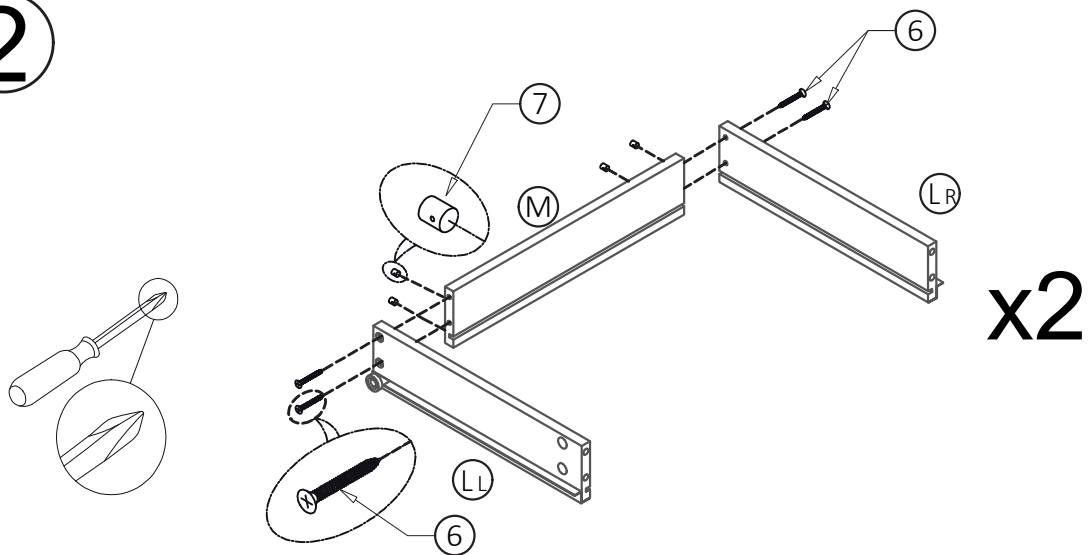


BANAK

LILAND

LD-0107

2



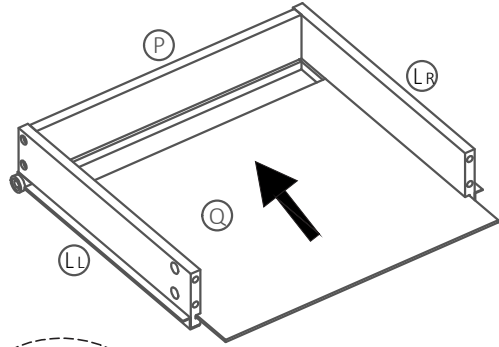
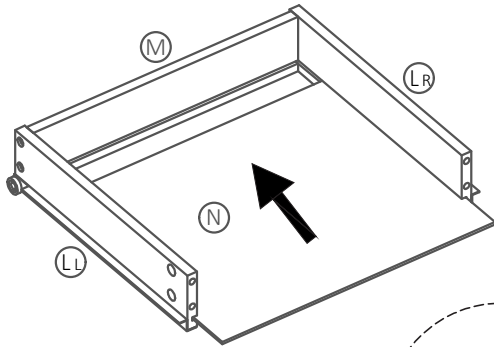
BANAK

LILAND

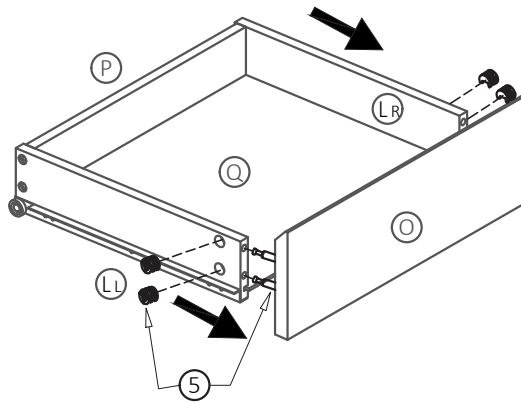
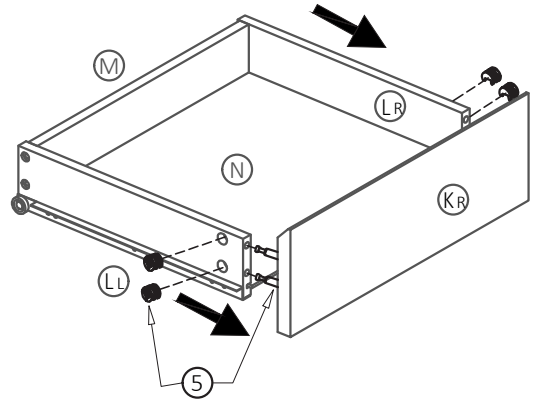
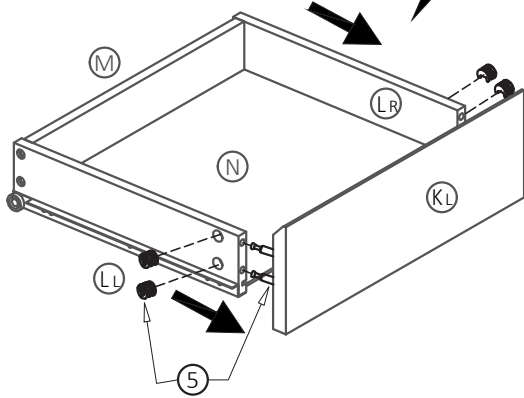
LD-0107

3

x2



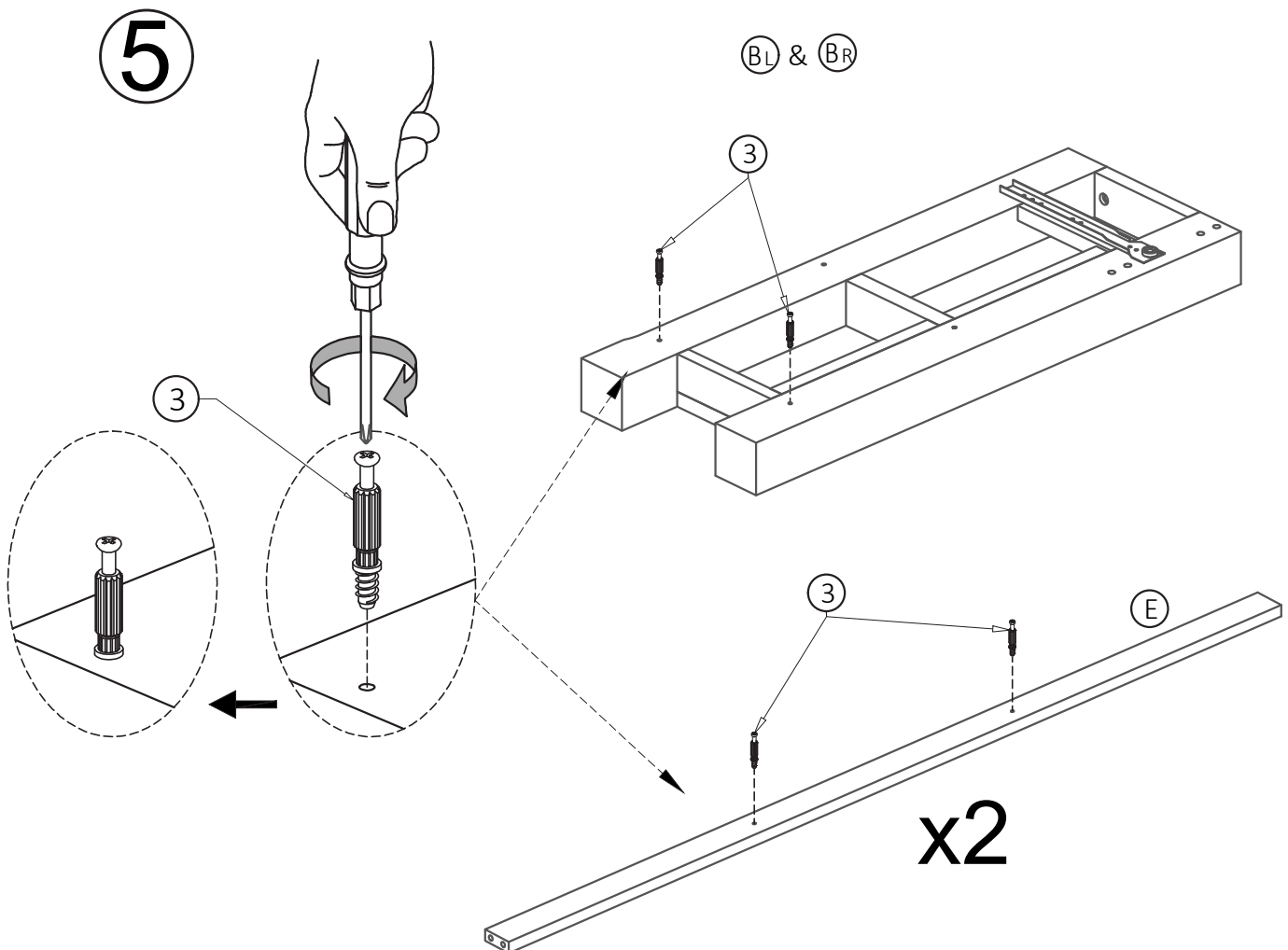
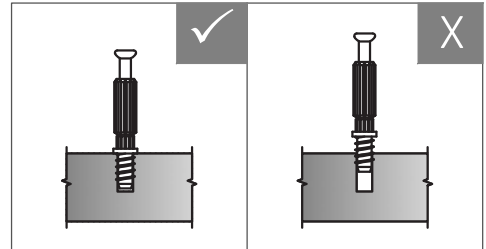
4



BANAK

LILAND

LD-0107

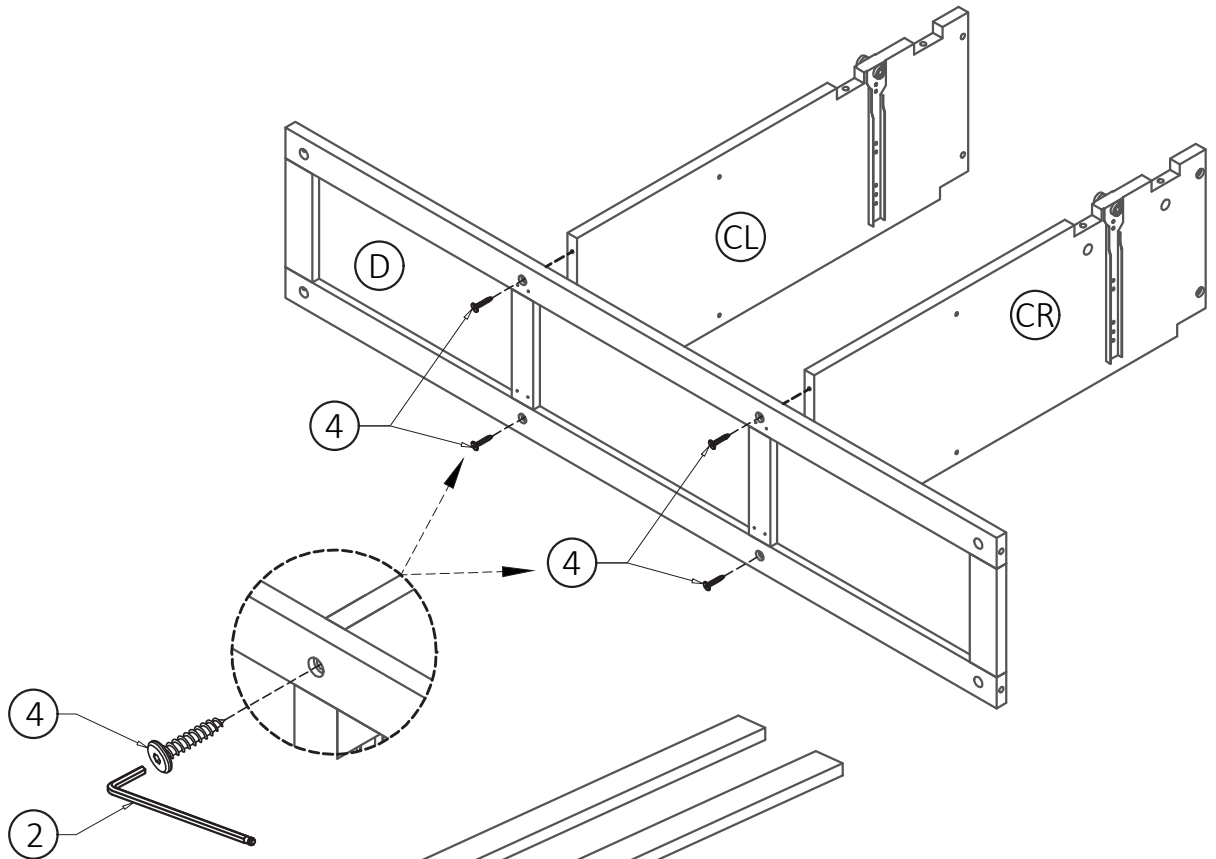


BANAK

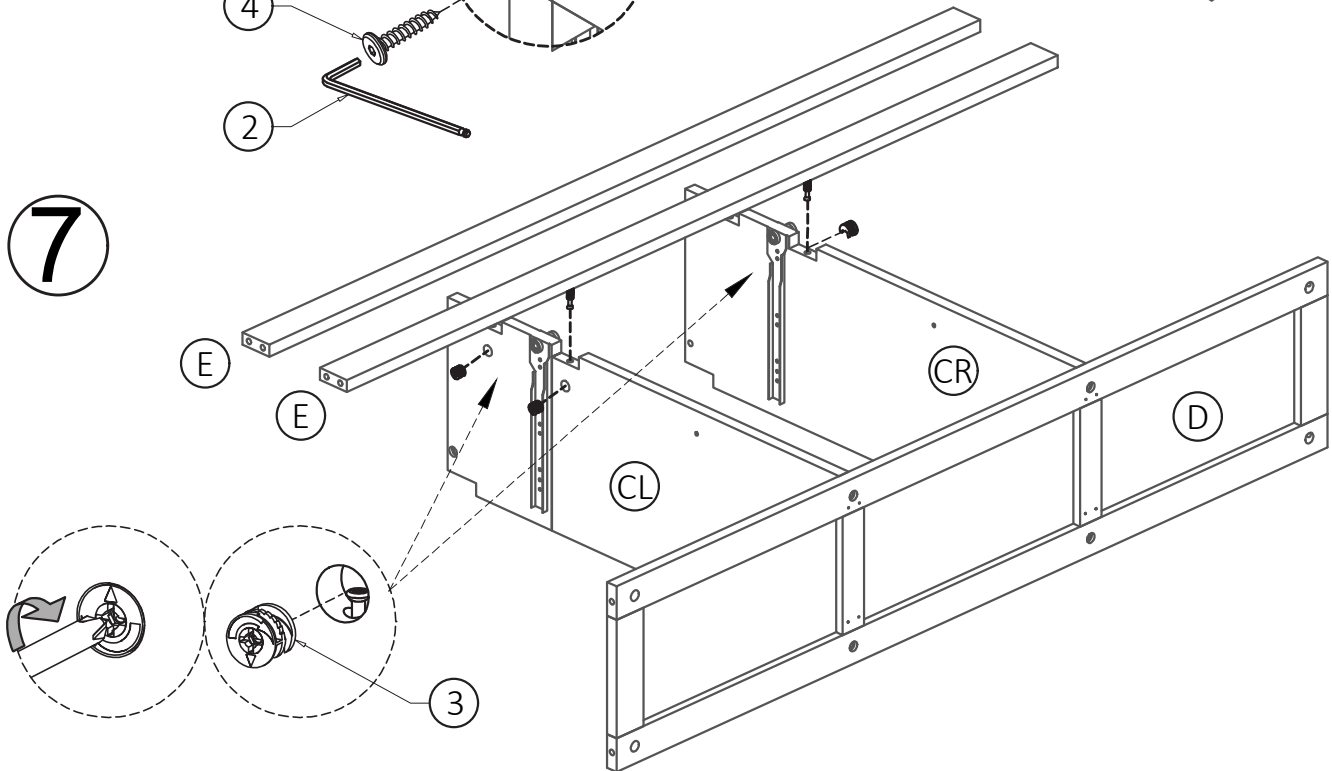
LILAND

LD-0107

6



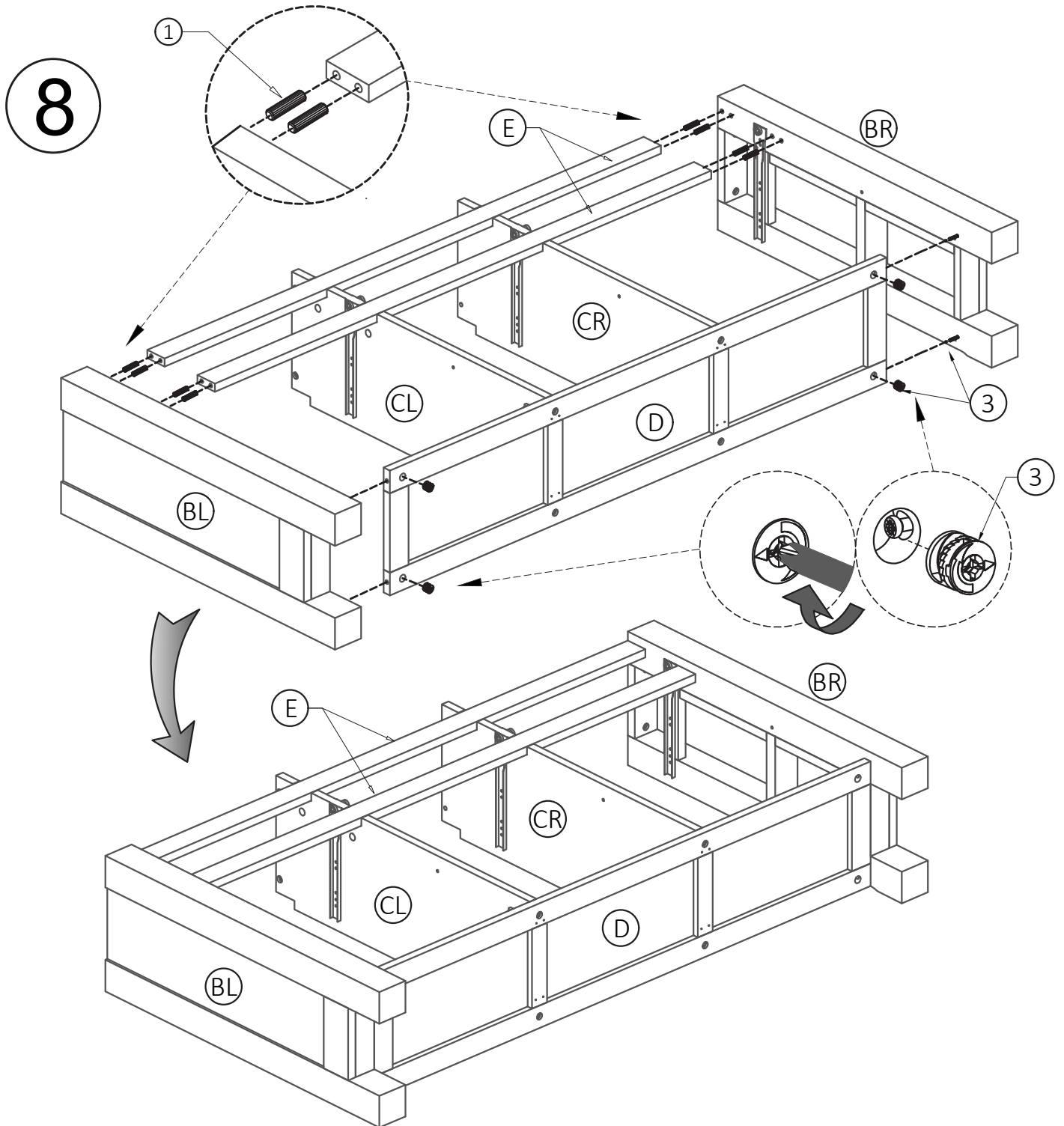
7



BANAK

LILAND

LD-0107

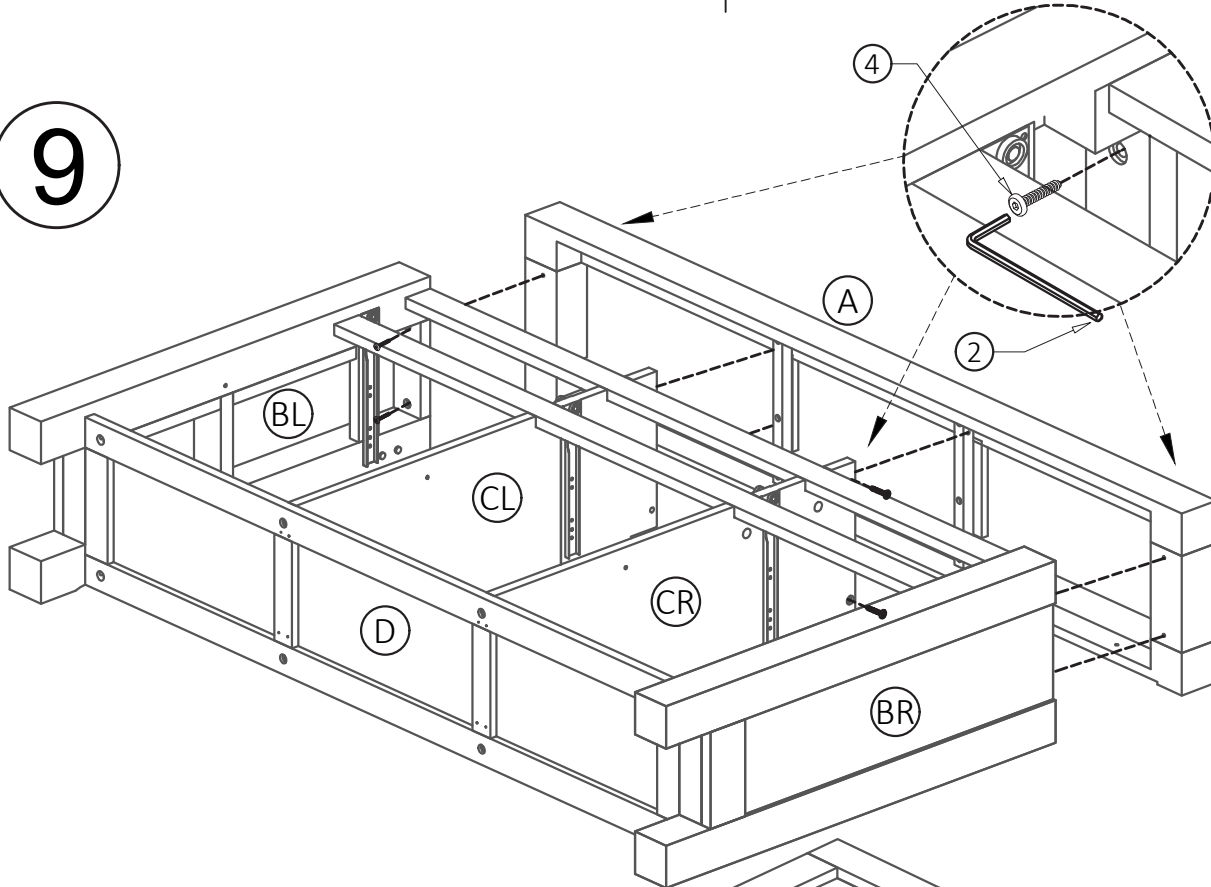


BANAK

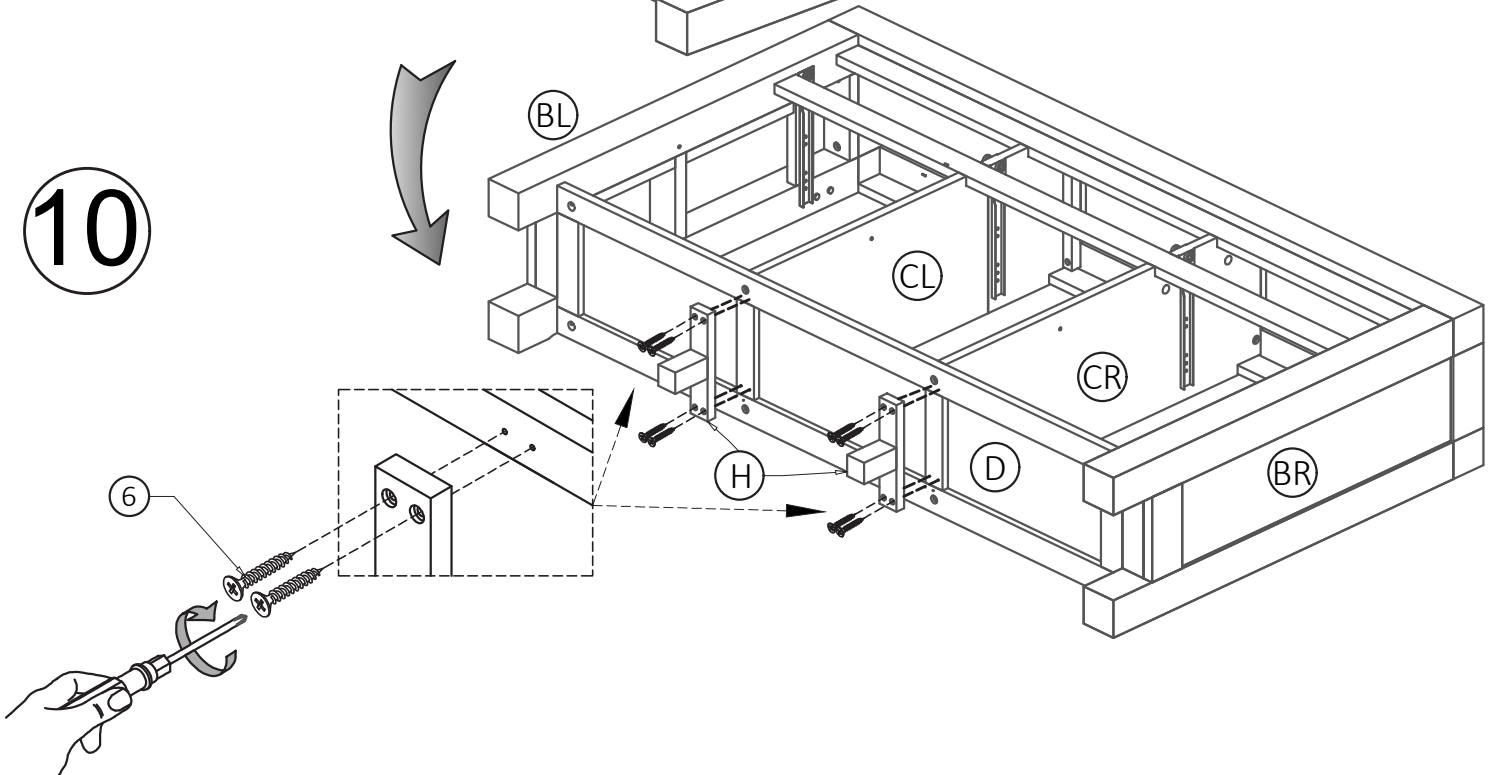
LILAND

LD-0107

9



10

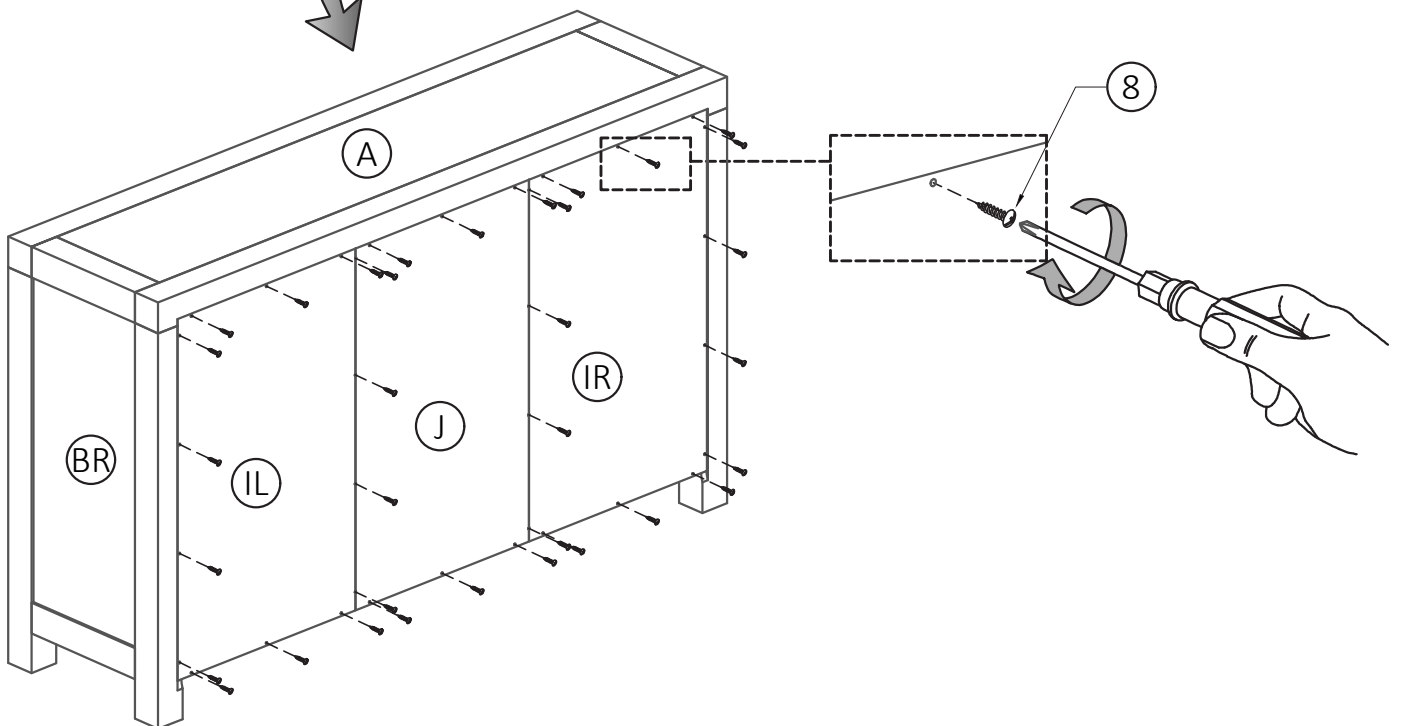
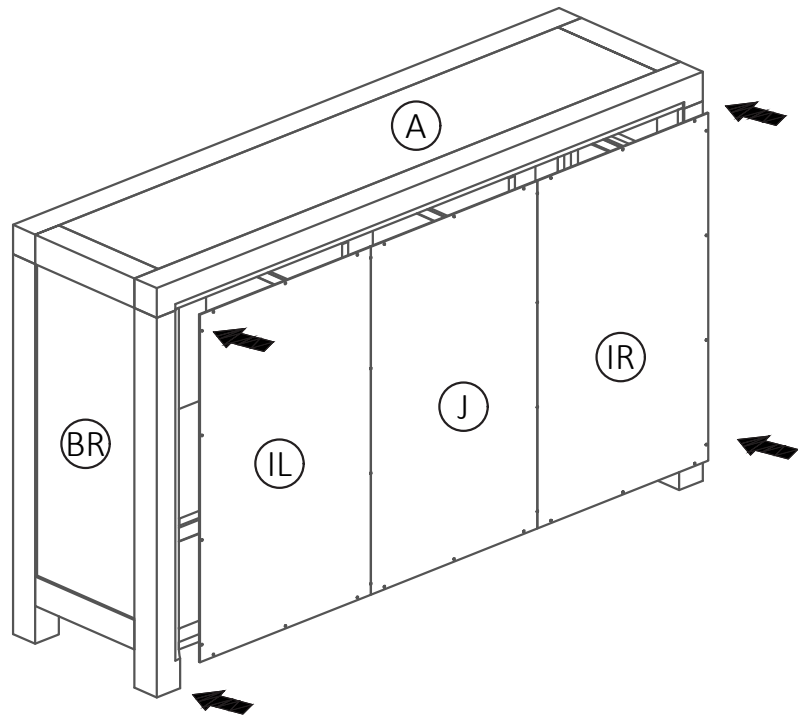


BANAK

LILAND

LD-0107

11

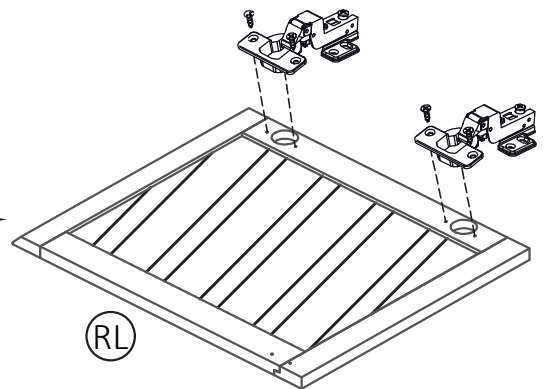
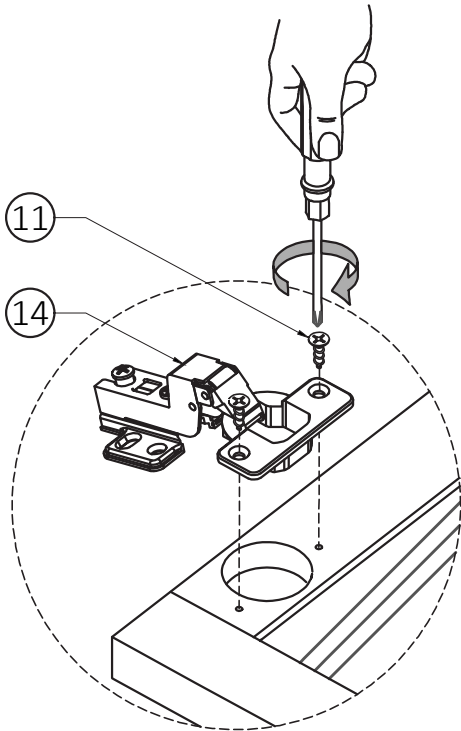
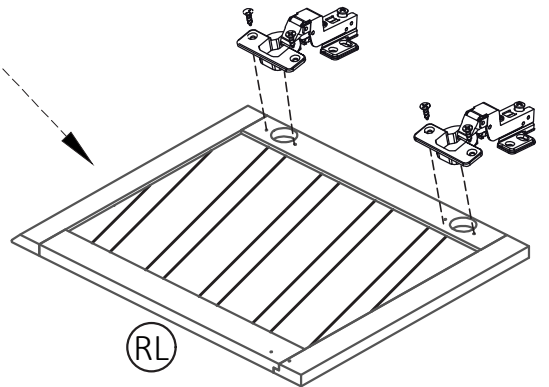
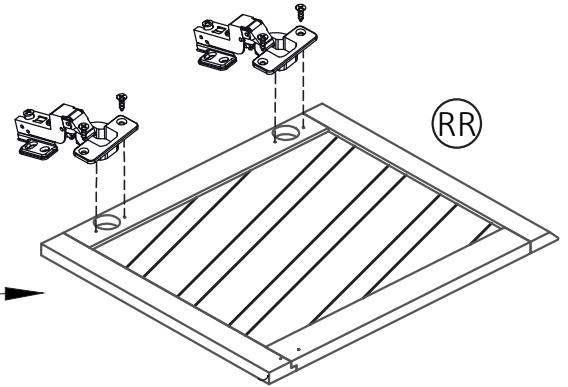
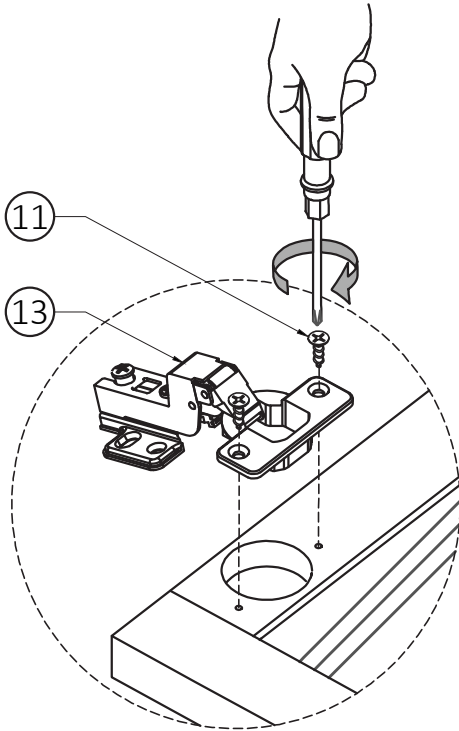


BANAK

LILAND

LD-0107

12

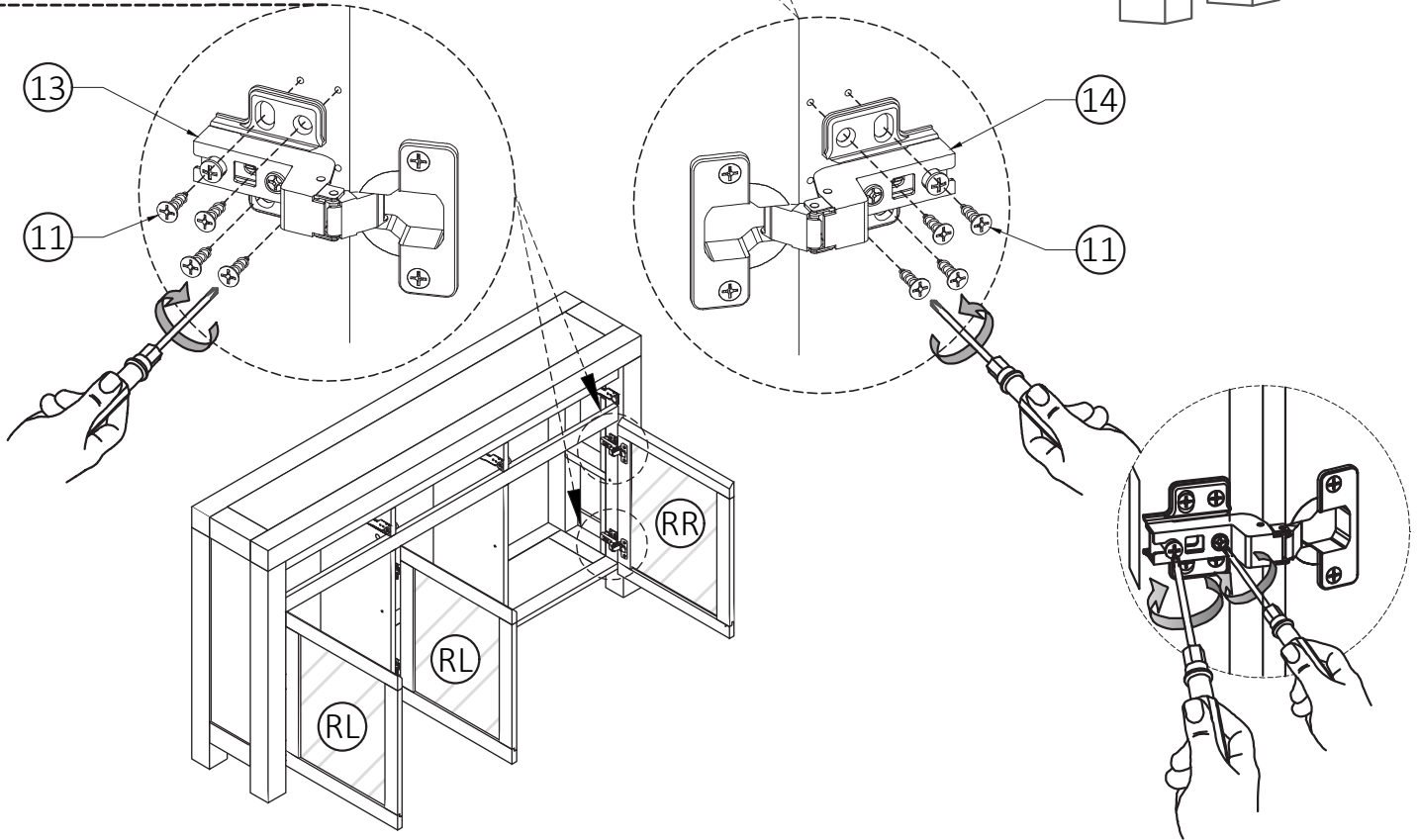
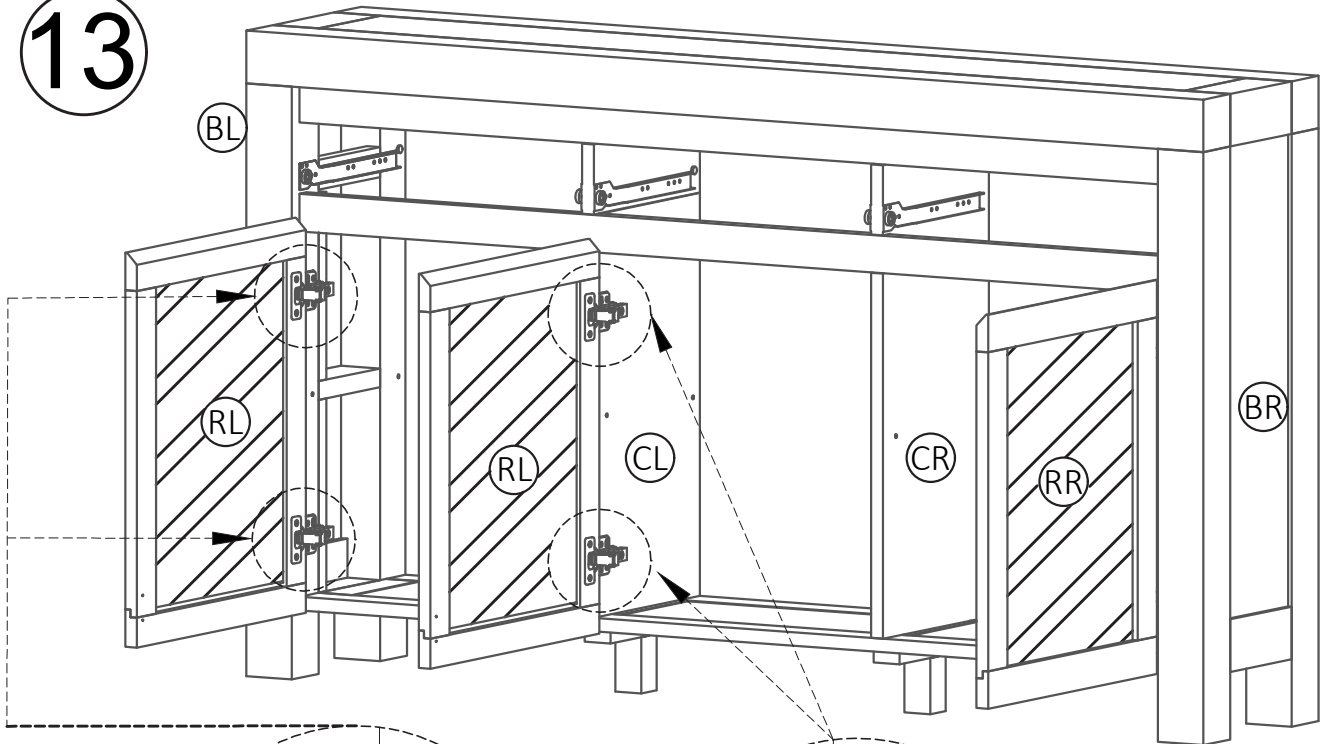


BANAK

LILAND

LD-0107

13

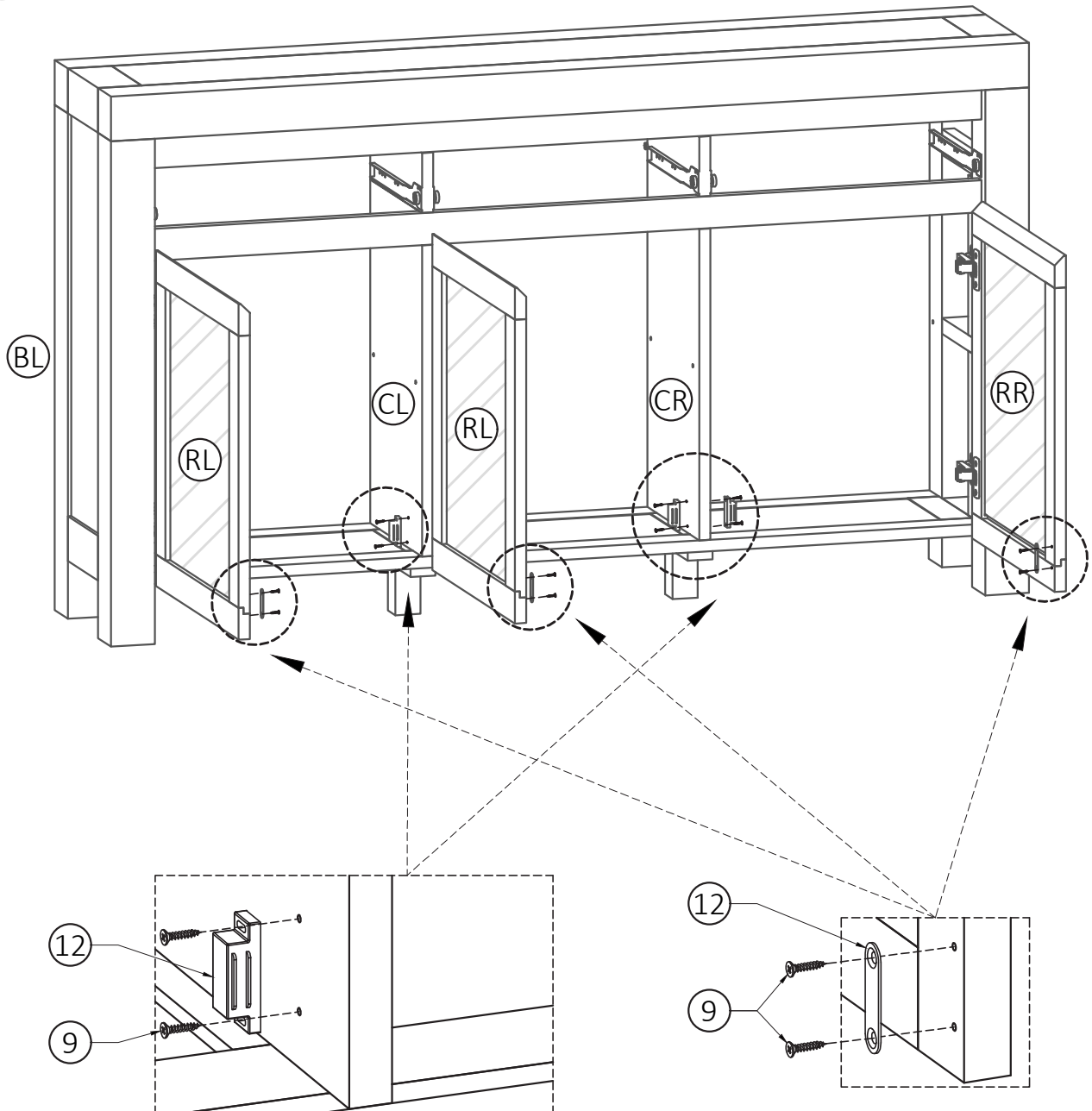


BANAK

LILAND

LD-0107

14

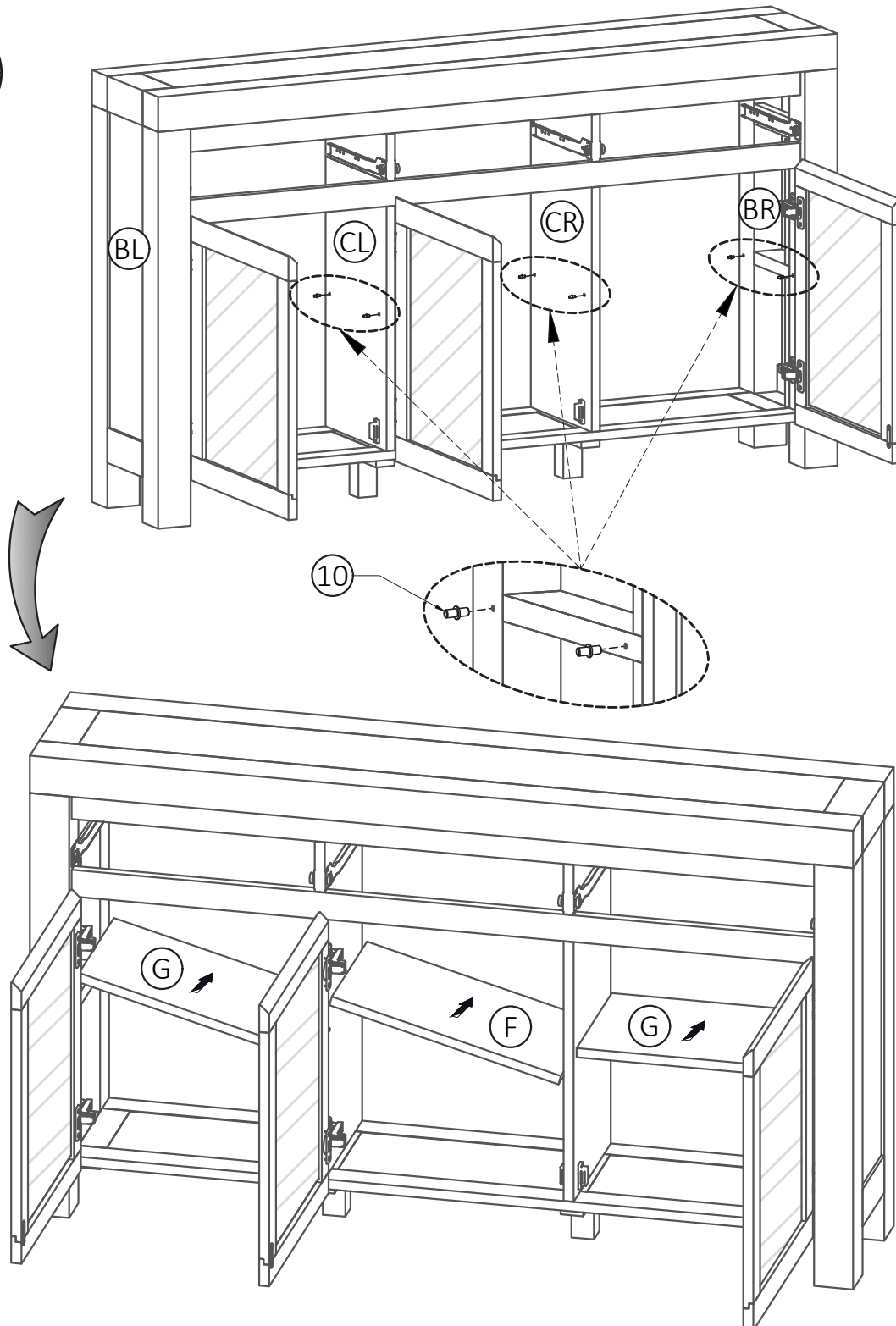


BANAK

LILAND

LD-0107

15

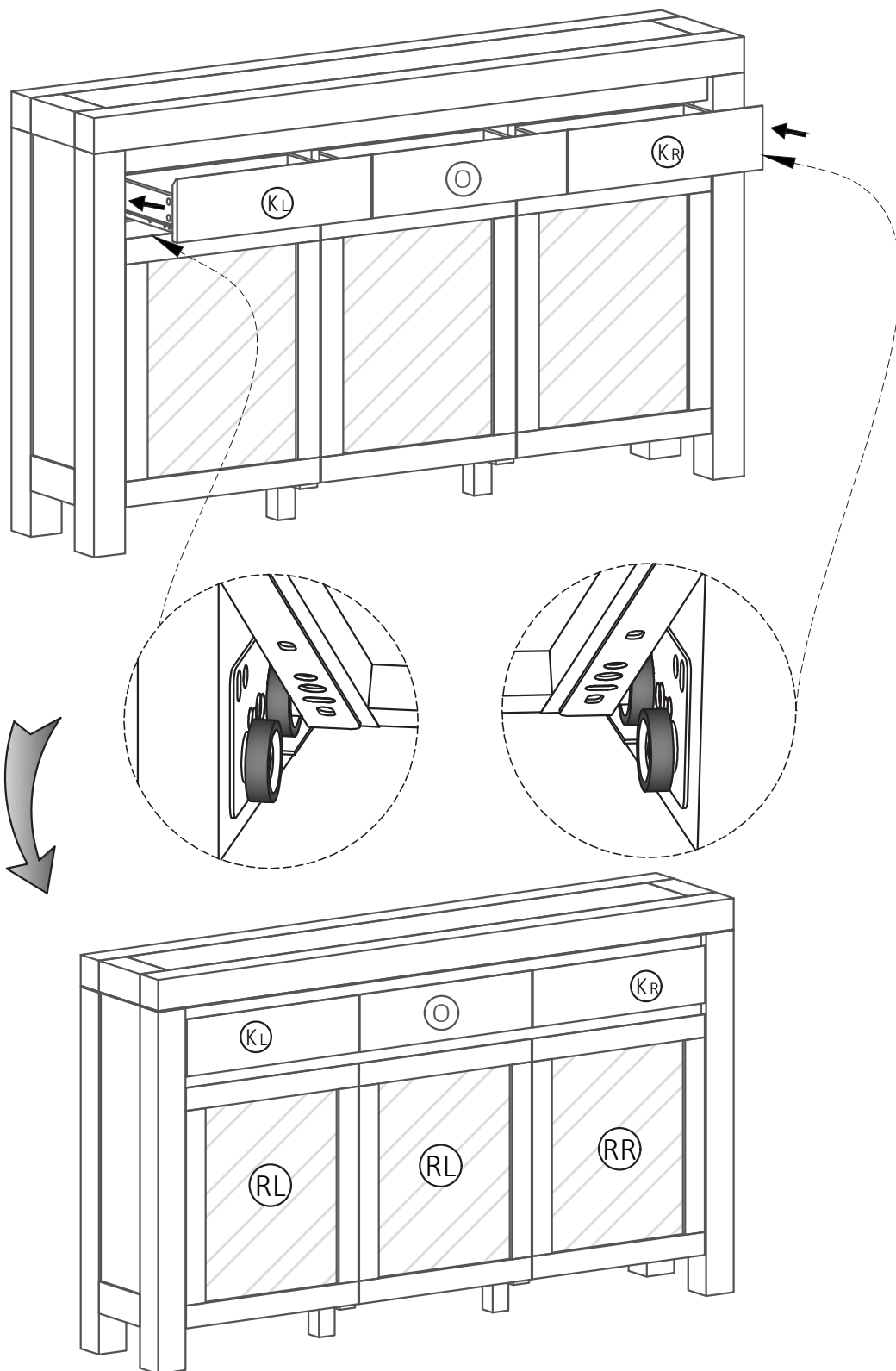


BANAK

LILAND

LD-0107

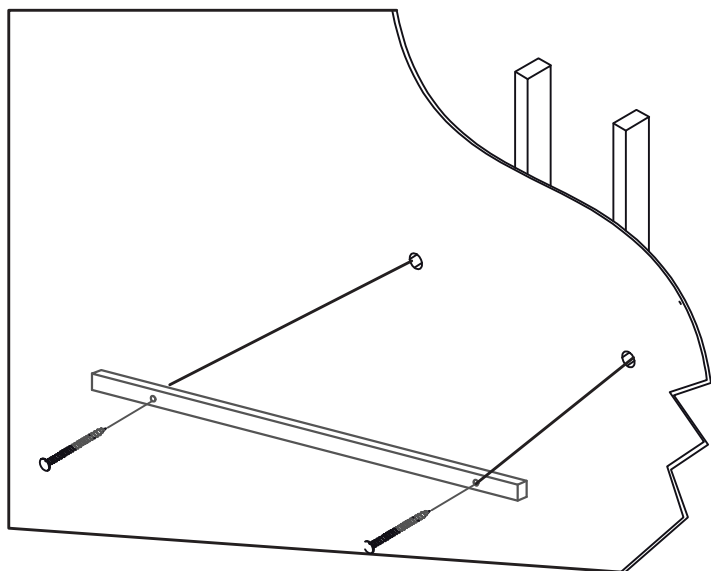
16



BANAK

LILAND

LD-0107



17

