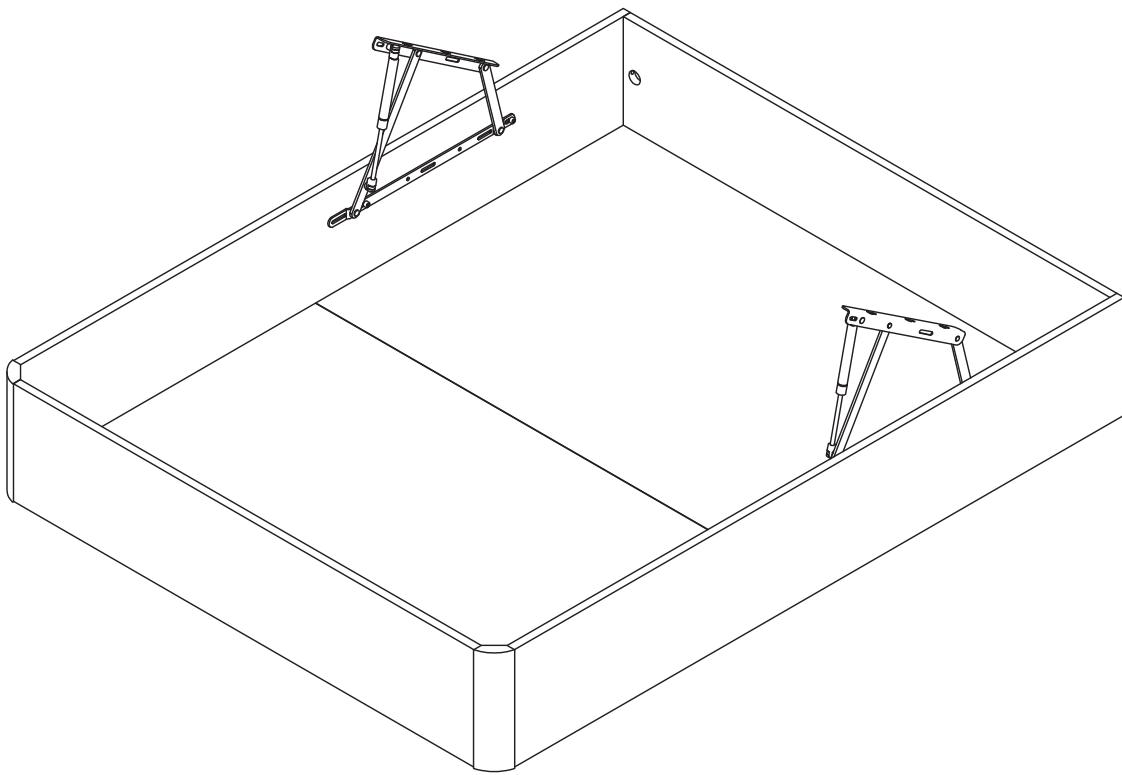


BANAK

NOEH

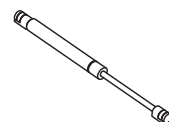
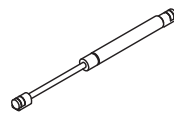
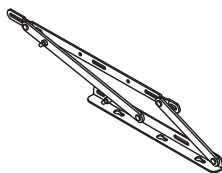
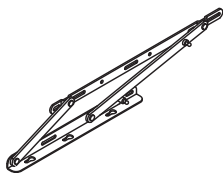
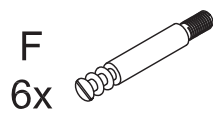
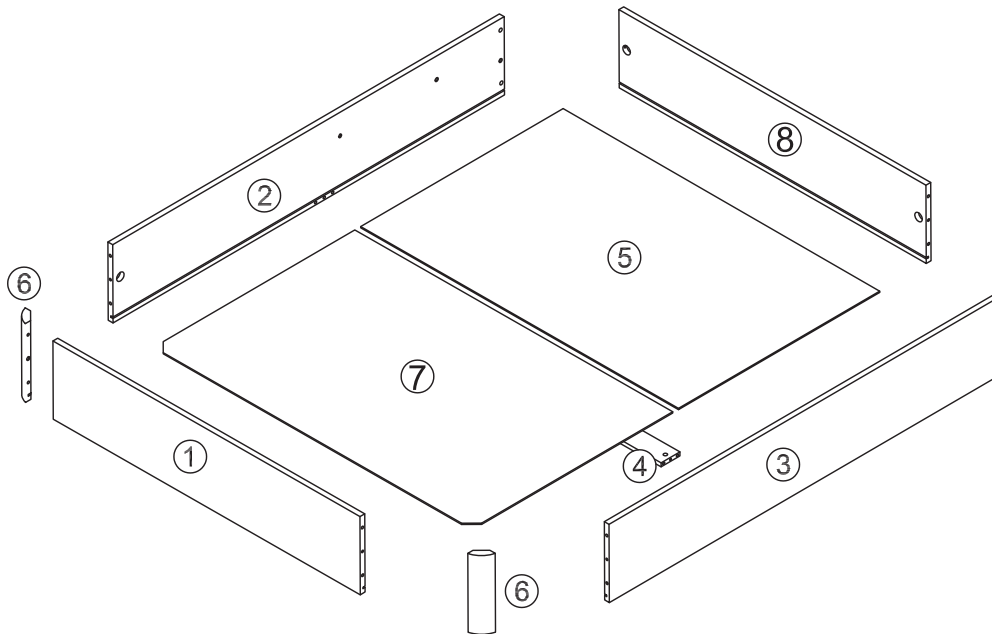
LPR-0514W



BANAK

NOEH

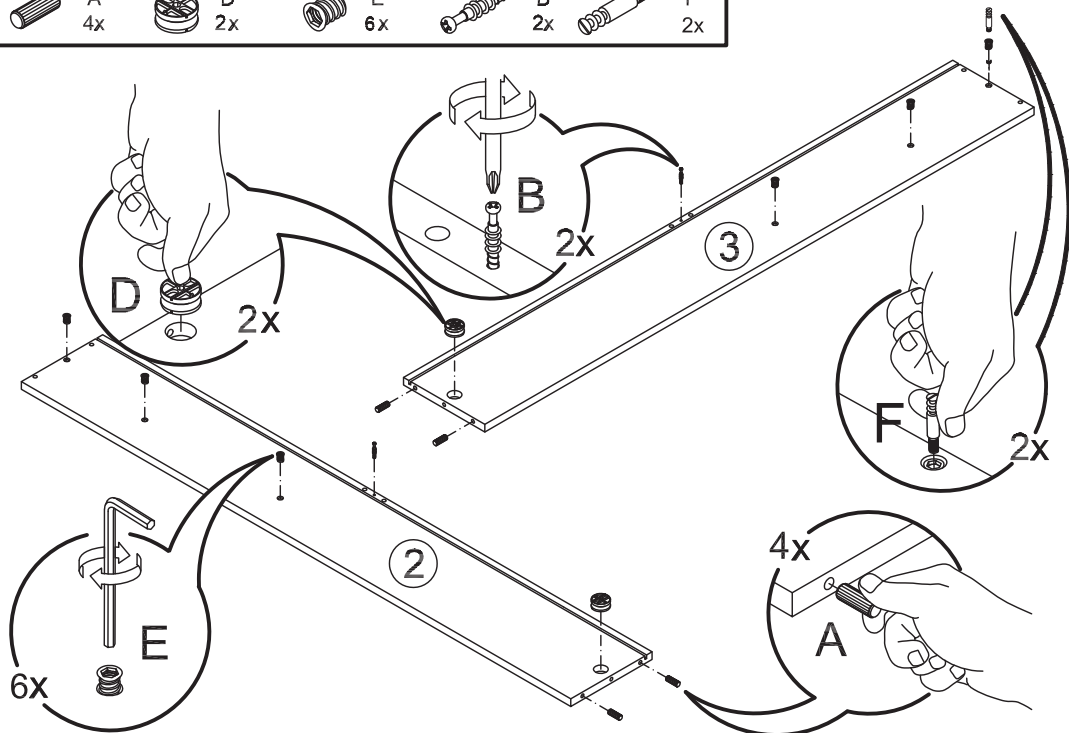
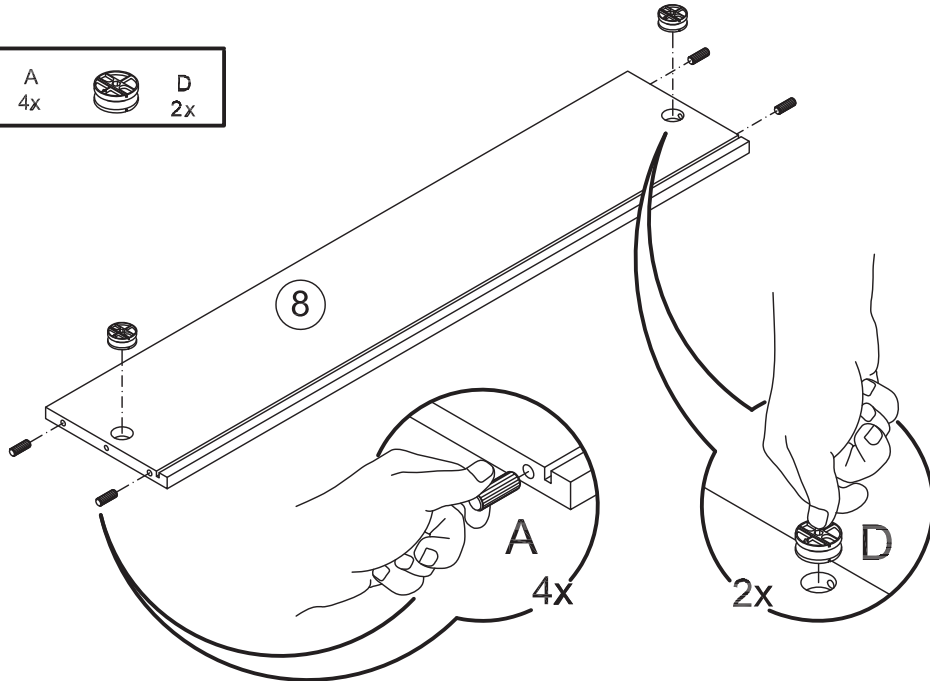
LPR-0514W



BANAK

NOEH

LPR-0514W

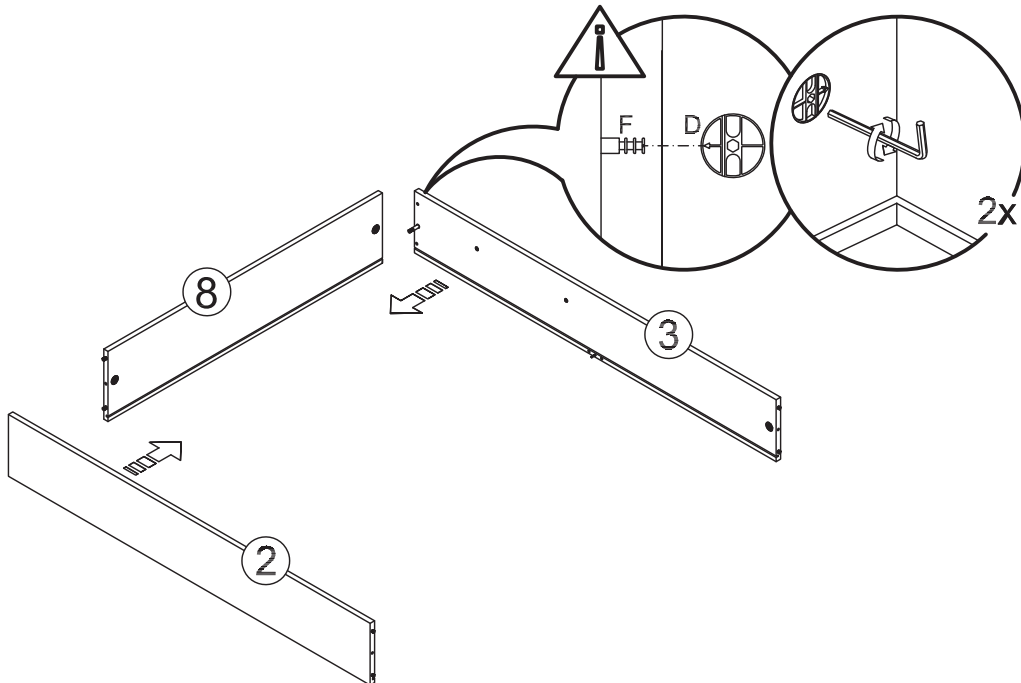


BANAK



NOEH

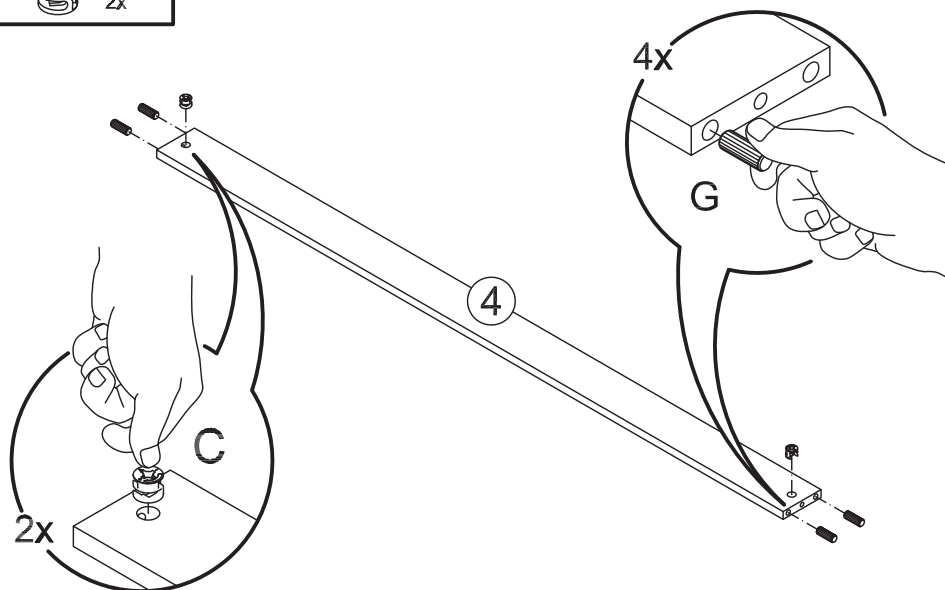
LPR-0514W

3



4

	G 4x		C 2x
---	---------	---	---------

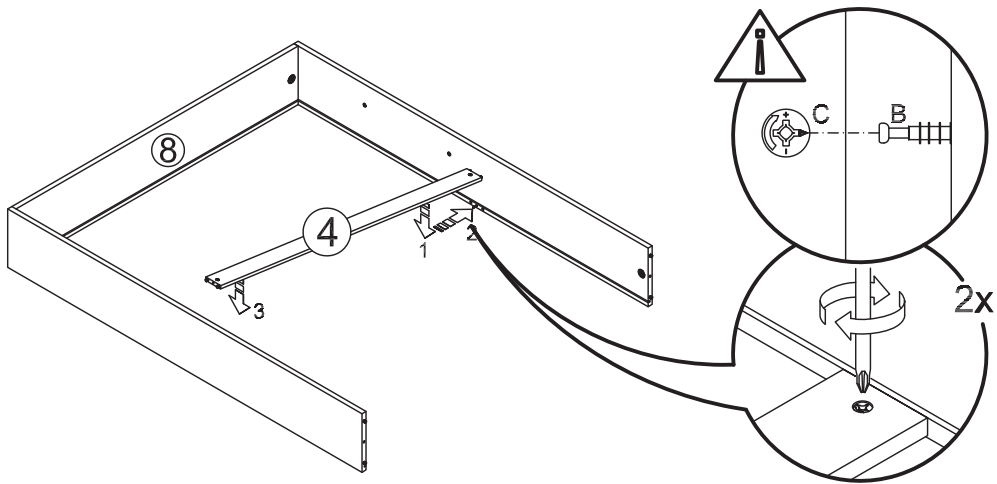


BANAK



NOEH

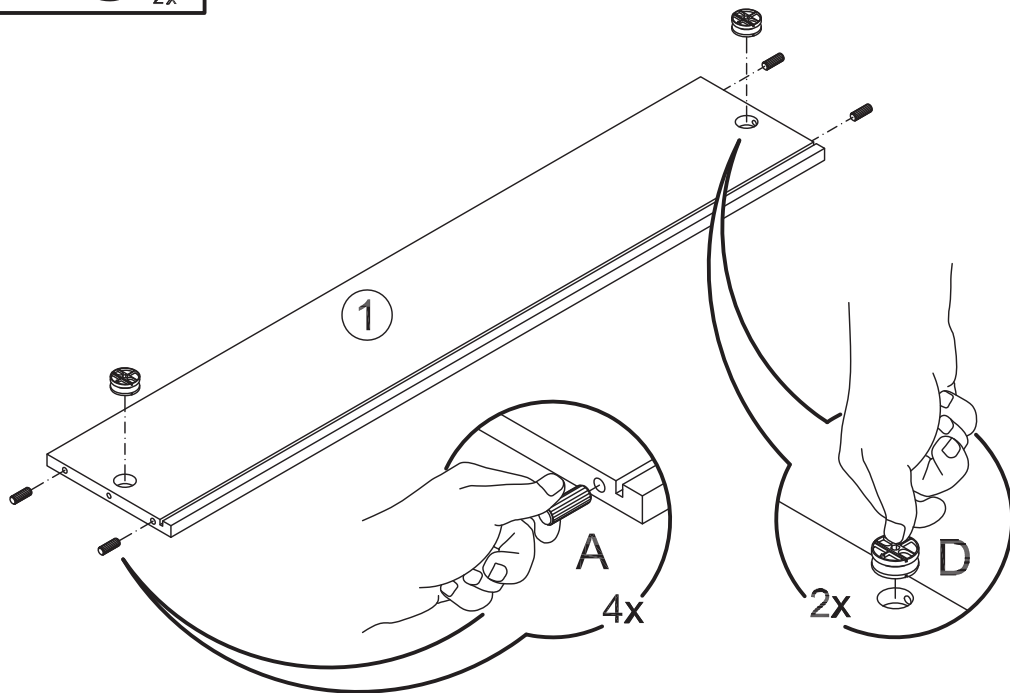
LPR-0514W

5



6

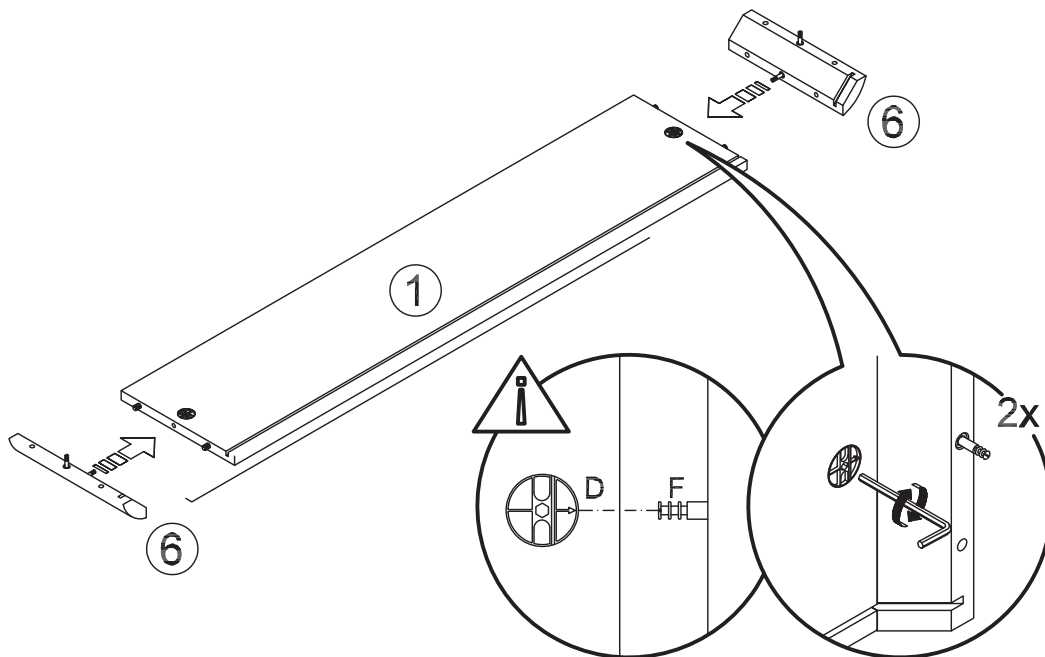
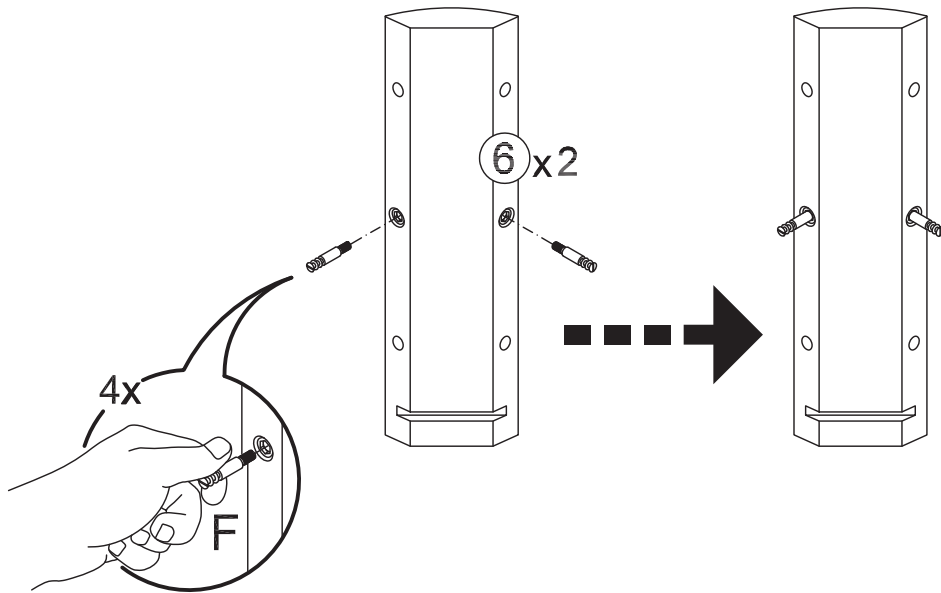
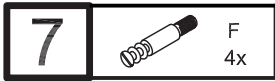
	A 4x		D 2x
---	---------	---	---------



BANAK

NOEH

LPR-0514W

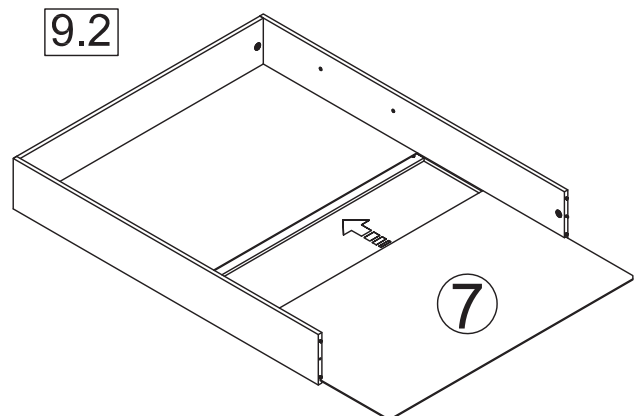
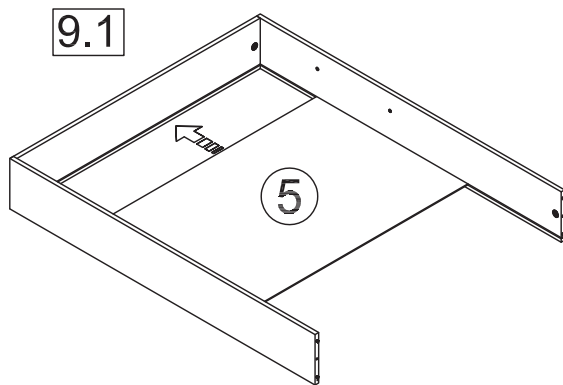


BANAK

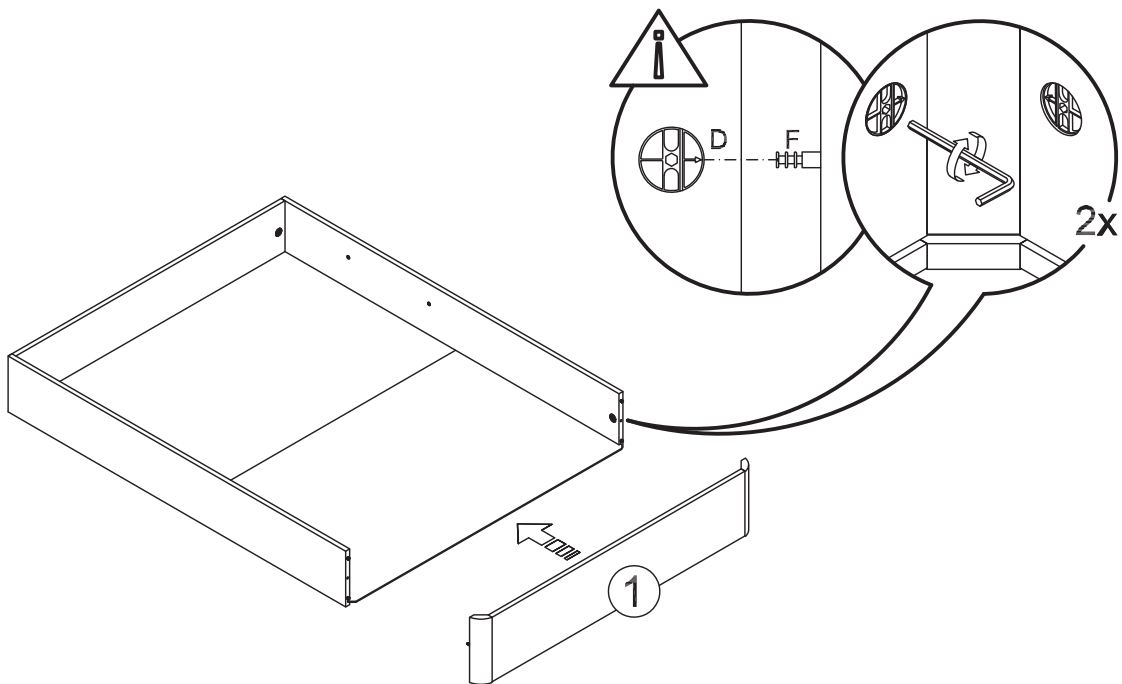
NOEH

LPR-0514W

9



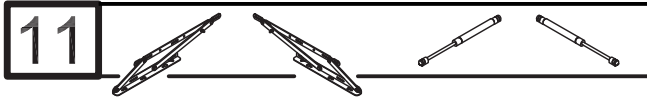
10



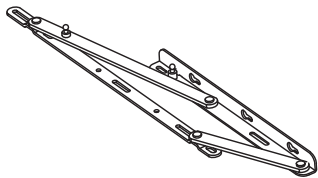
BANAK

NOEH

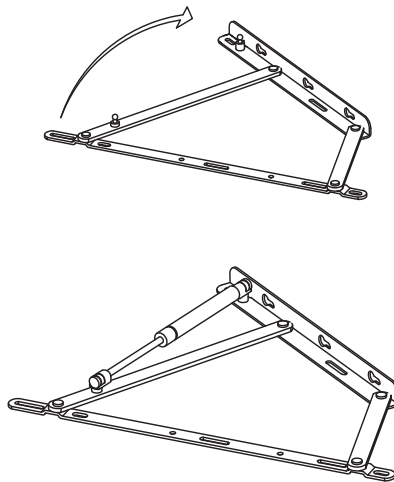
LPR-0514W



11.1



11.2



11.3

