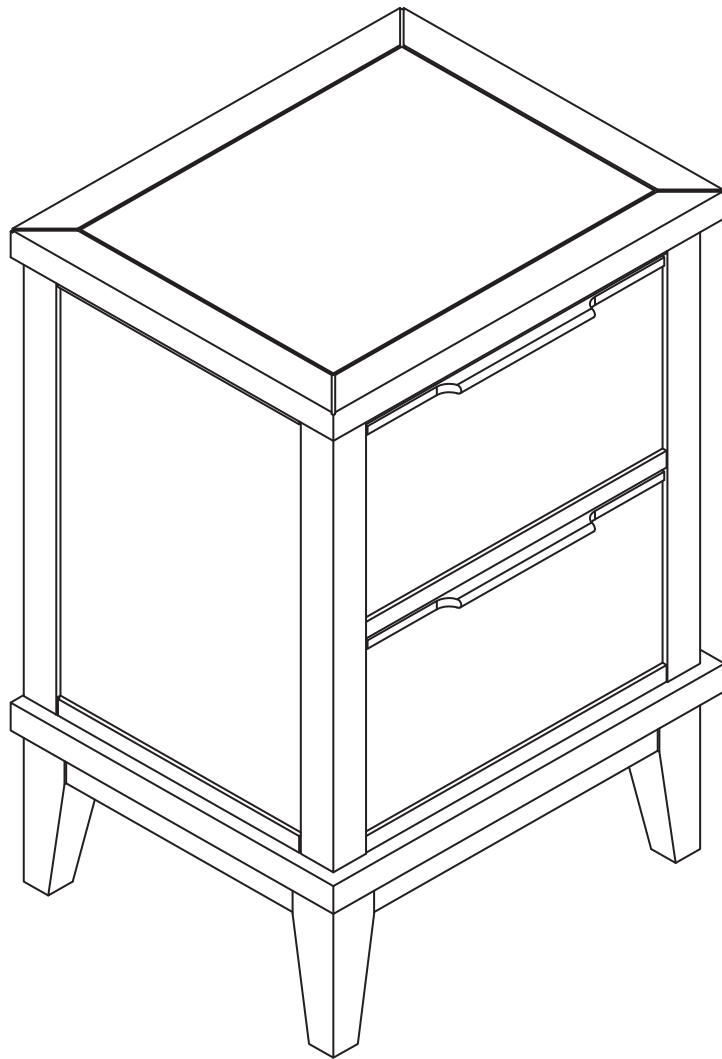


BANAK

NAROA

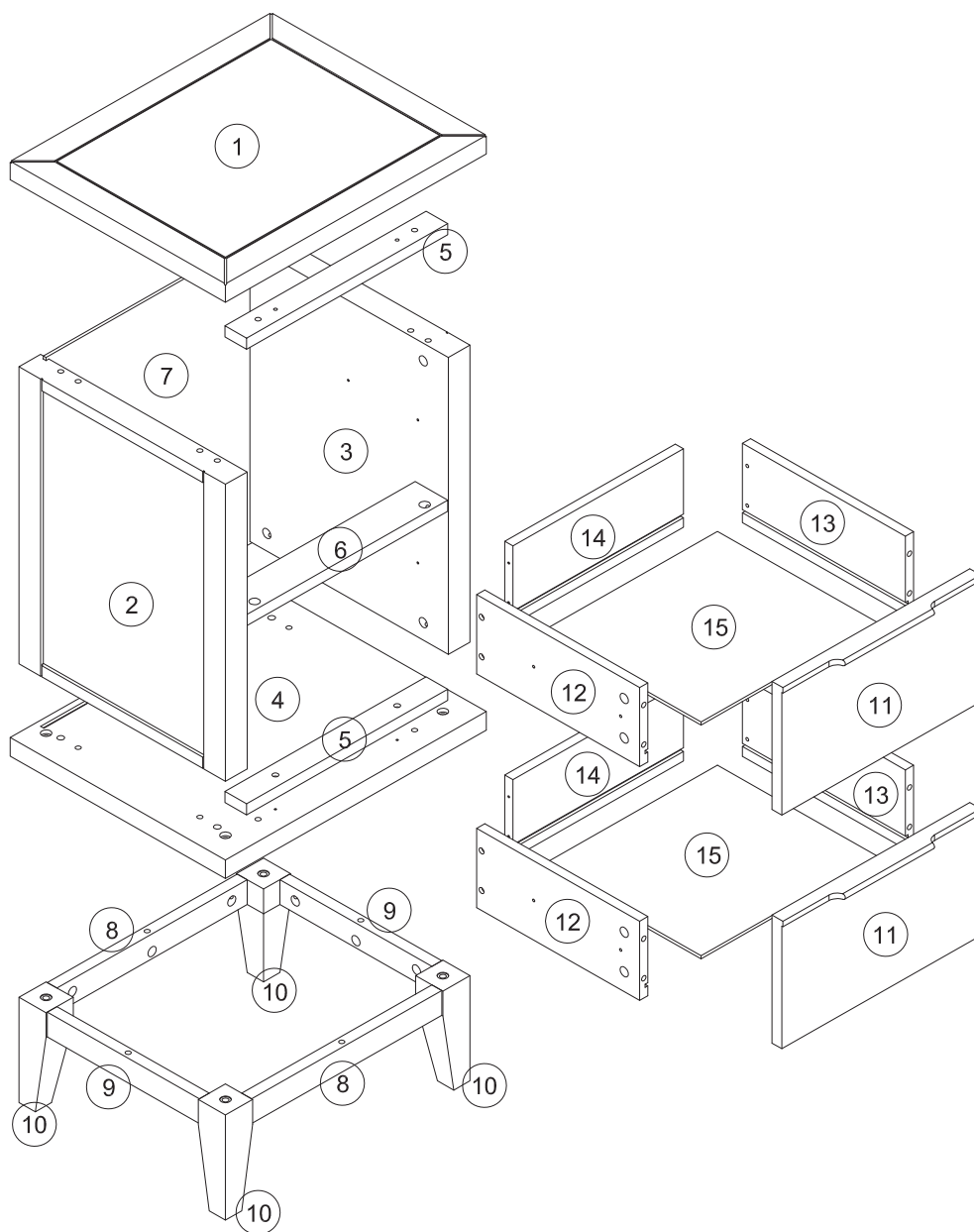
NR-0101BC



BANAK

NAROA

NR-0101BC








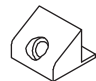





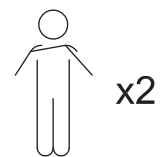
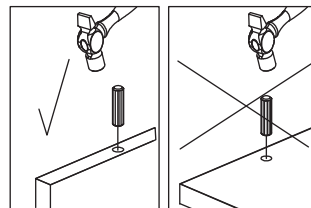
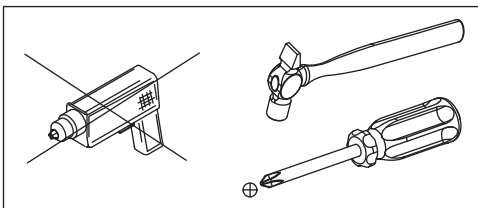
- ① x 1 ud.
- ② x 1 ud.
- ③ x 1 ud.
- ④ x 1 ud.
- ⑤ x 2 uds.
- ⑥ x 1 ud.
- ⑦ x 1 ud.
- ⑧ x 2 uds.
- ⑨ x 2 uds.
- ⑩ x 4 uds.
- ⑪ x 2 uds.
- ⑫ x 2 uds.
- ⑬ x 2 uds.
- ⑭ x 2 uds.
- ⑮ x 2 uds.

BANAK

NAROA

NR-0101BC

A x 30  L= 35 mm	B x 30  Ø15 mm	C x 14  Ø8 x 30 mm	D x 4  Ø3x 18 mm	E x 24  Ø3.5 x 12 mm	F x 12  Ø3.5 x 30 mm	G x 20  Ø20 mm	H x 4 
J x 4  L=250mm	K x 4  L=250mm	O x 4  Ø6 x 40 mm					








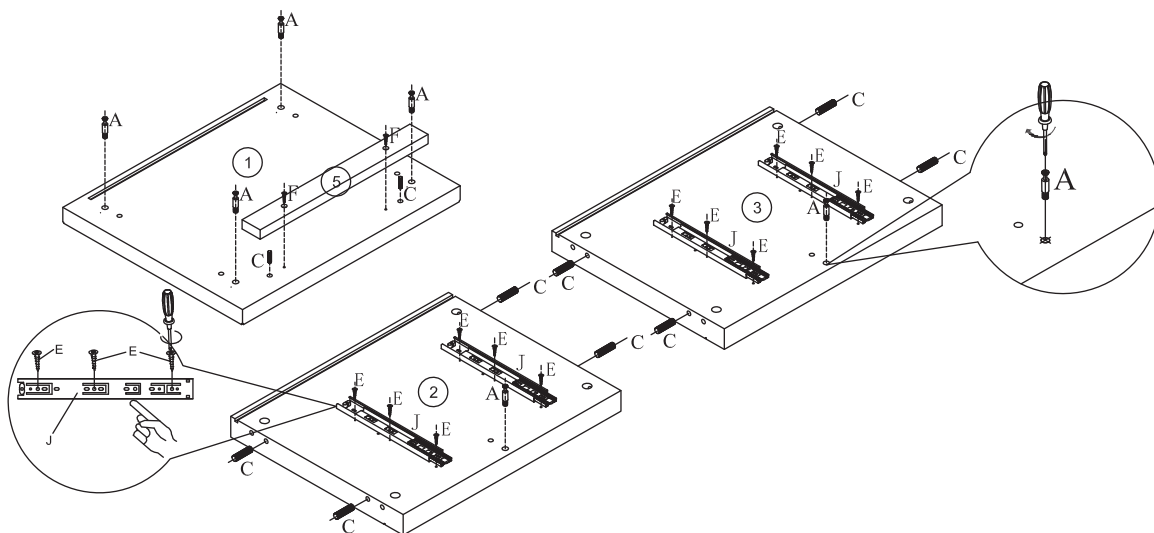
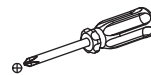
BANAK

NAROA




NR-0101BC

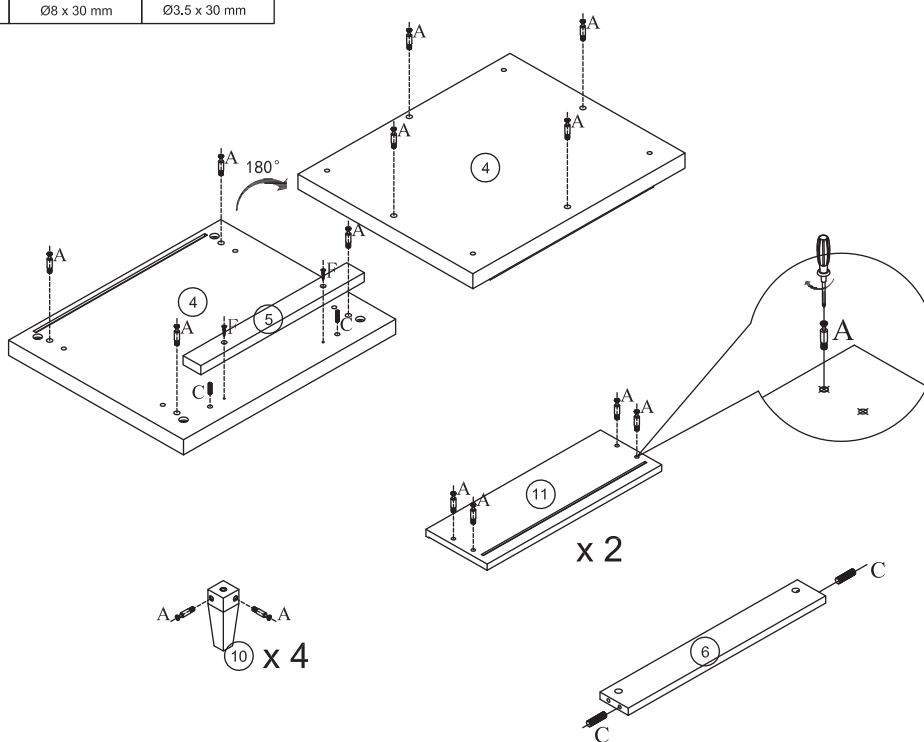
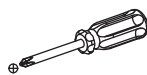
1

A x 6  L= 35 mm	C x 10  Ø8 x 30 mm	J x 4  L=250mm	E x 12  Ø3.5 x 12 mm	F x 2  Ø3.5 x 30 mm
--	---	---	---	--



2

A x 24  L= 35 mm	C x 4  Ø8 x 30 mm	F x 2  Ø3.5 x 30 mm
---	--	--

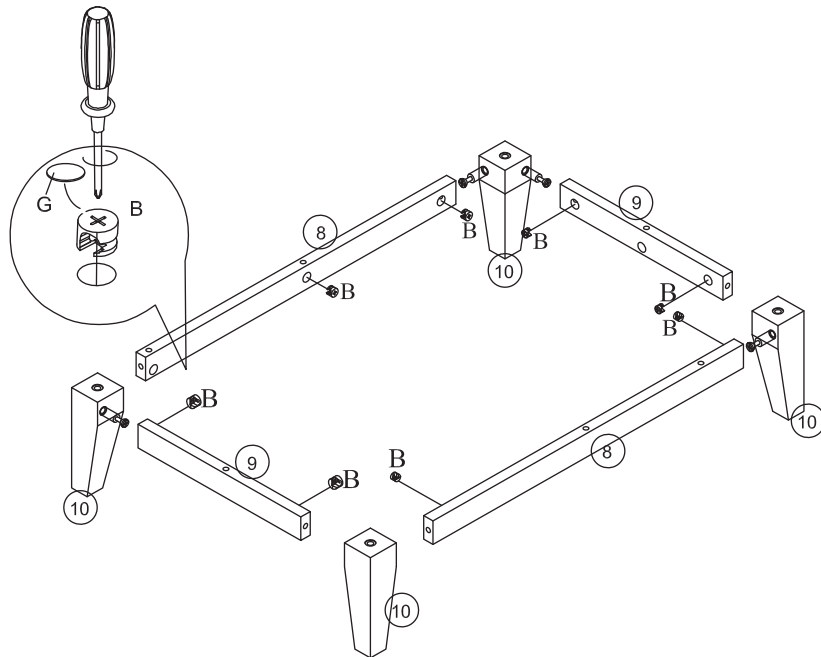
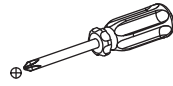
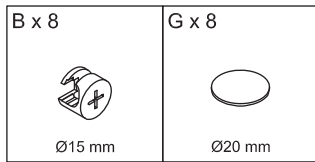


BANAK

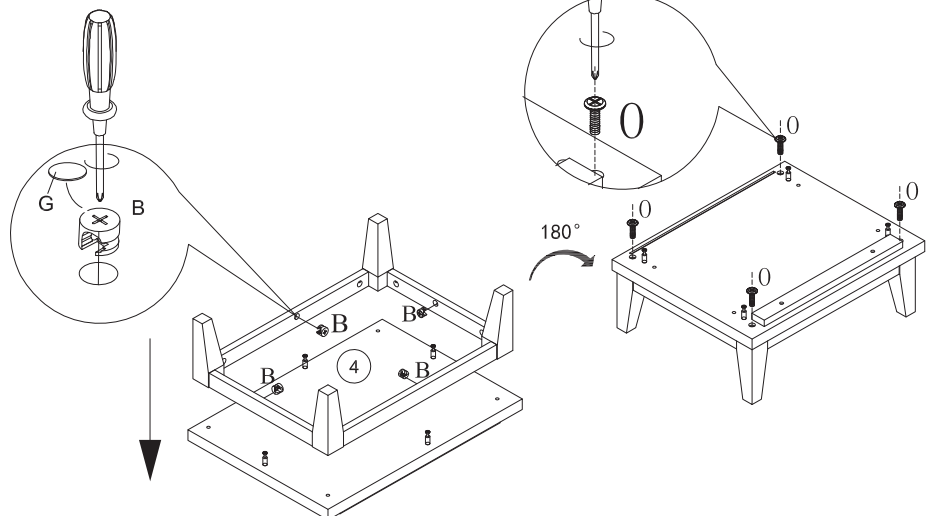
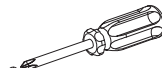
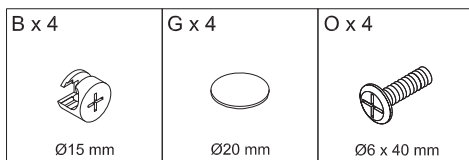
NAROA

NR-0101BC

3



4

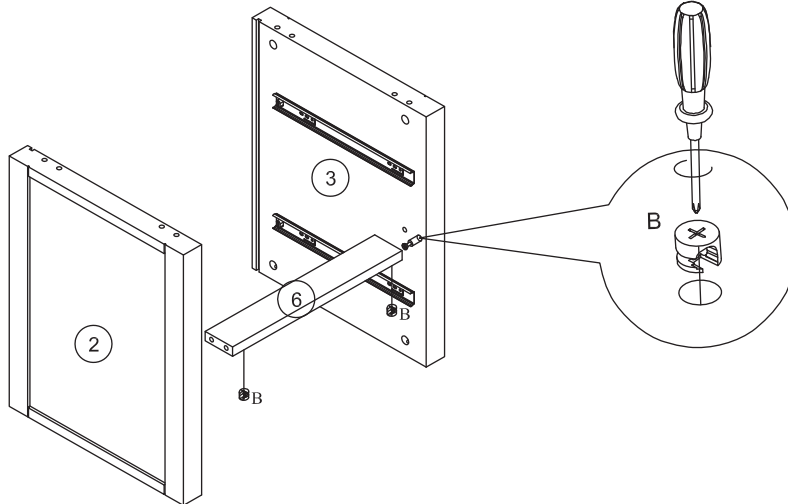
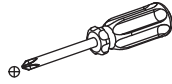
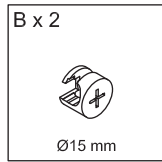


BANAK

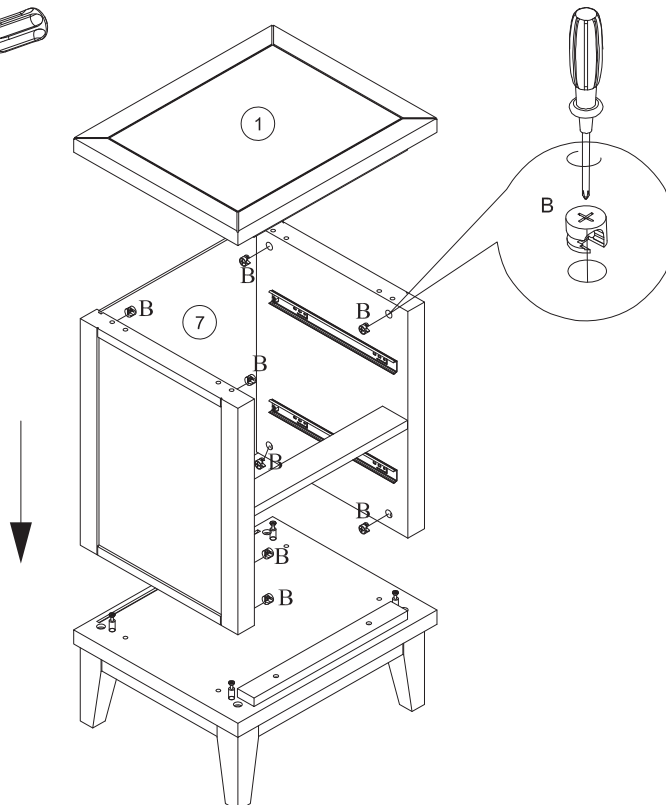
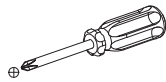
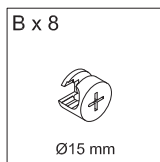
NAROA

NR-0101BC

5



6

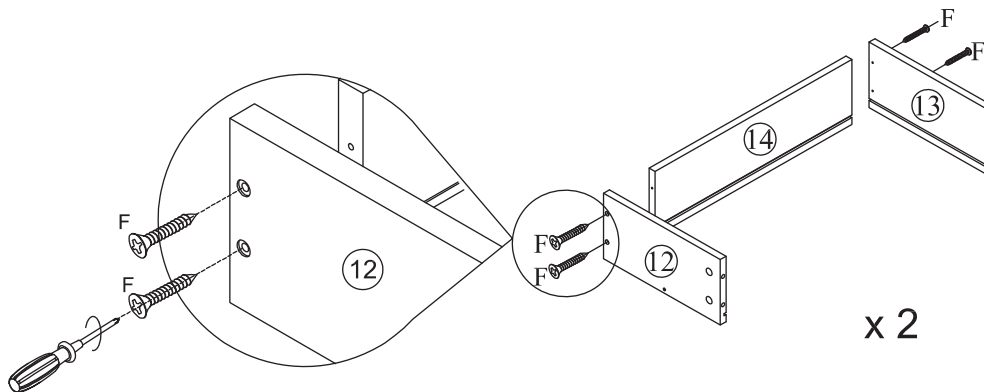
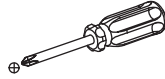
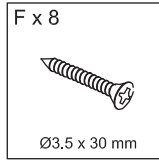


BANAK

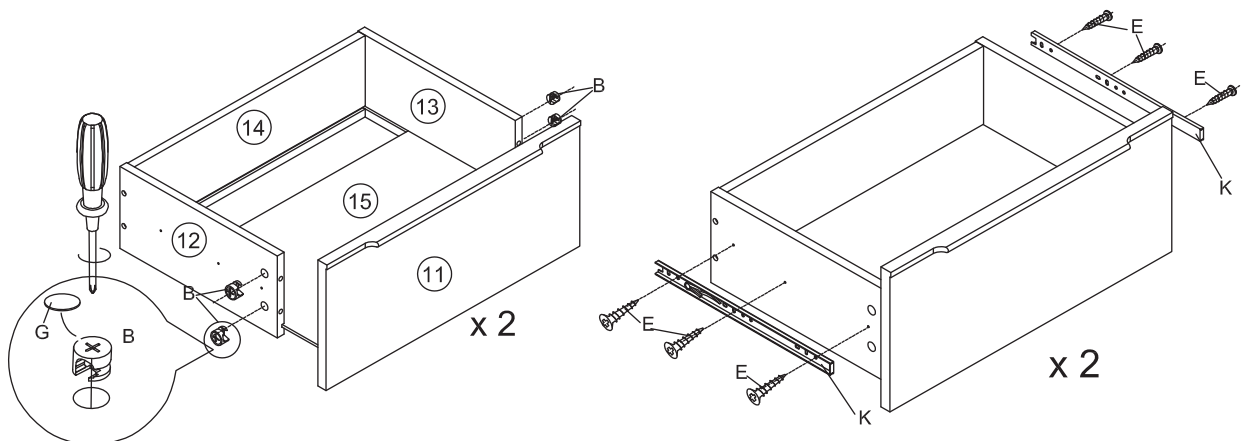
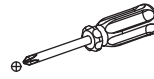
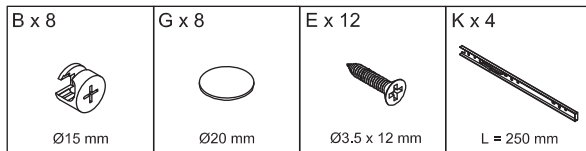
NAROA

NR-0101BC

7



8

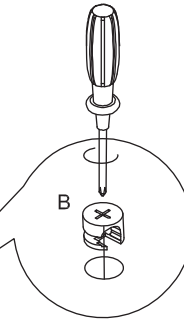
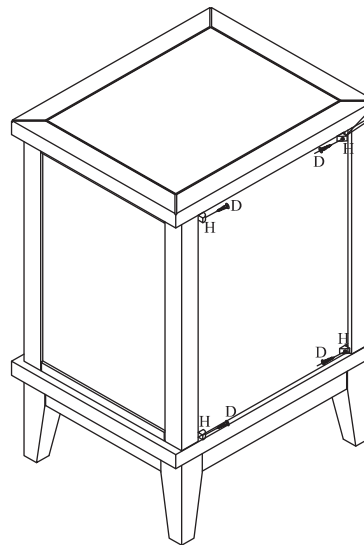
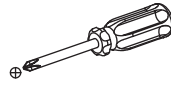
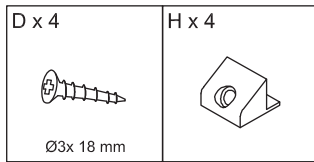


BANAK

NAROA

NR-0101BC

9



10

