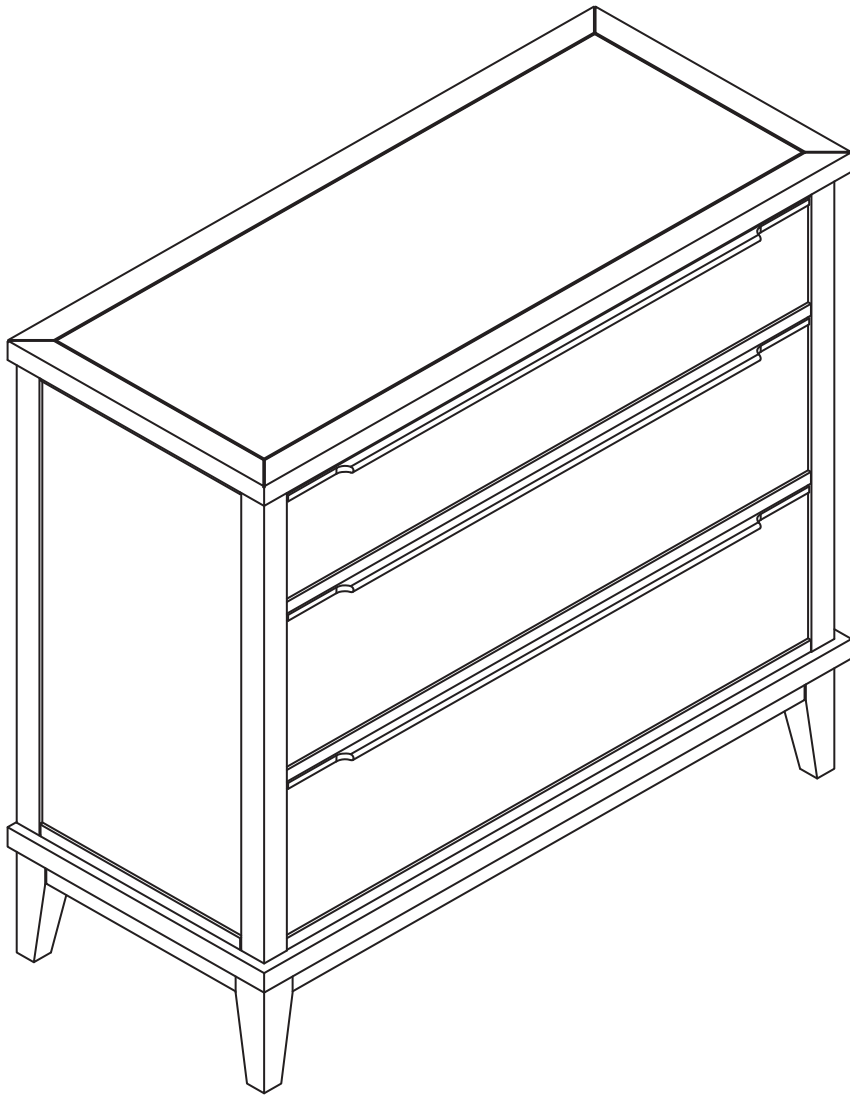


# BANAK

# NAROA

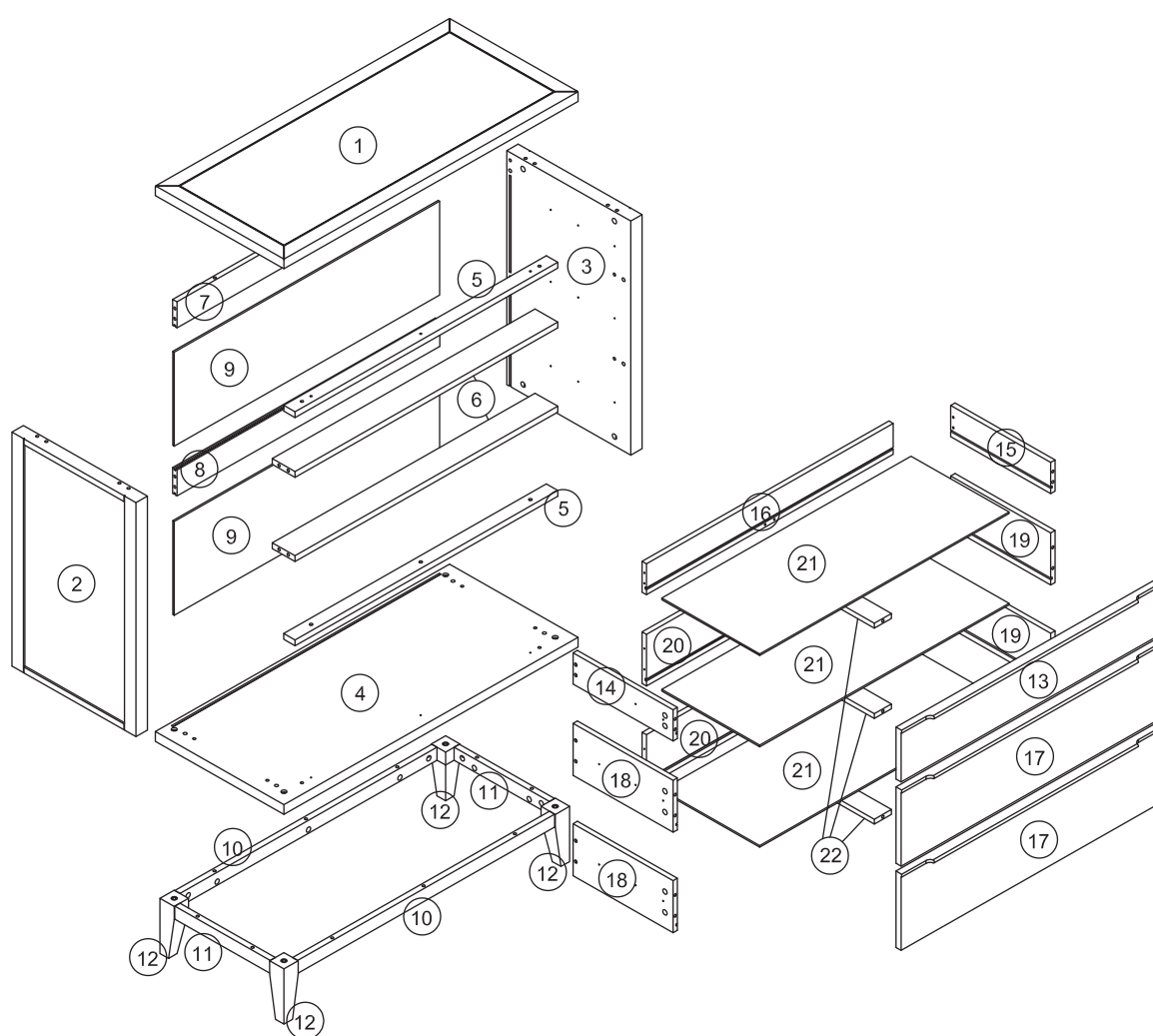
NR-0102BC



# BANAK

# NAROA

NR-0102BC

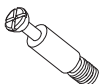






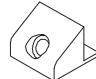





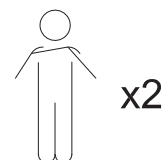
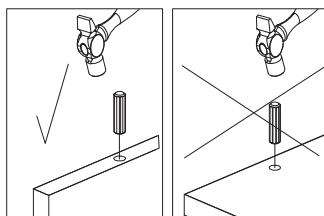
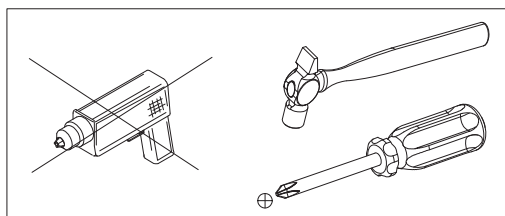
- ① x 1 ud.
- ② x 1 ud.
- ③ x 1 ud.
- ④ x 1 ud.
- ⑤ x 2 uds.
- ⑥ x 2 uds.
- ⑦ x 1 ud.
- ⑧ x 1 ud.
- ⑨ x 2 uds.
- ⑩ x 2 uds.
- ⑪ x 2 uds.
- ⑫ x 4 uds.
- ⑬ x 1 ud.
- ⑭ x 1 ud.
- ⑮ x 1 ud.
- ⑯ x 1 ud.
- ⑰ x 2 uds.
- ⑱ x 2 uds.
- ⑲ x 2 uds.
- ⑳ x 2 uds.
- ㉑ x 3 uds.
- ㉒ x 3 uds.

# BANAK

# NAROA

NR-0102BC

A x 51  L= 35 mm	B x 51  Ø15 mm	C x 20  Ø8 x 30 mm	D x 8  Ø3x 18 mm	E x 36  Ø3.5 x 12 mm	F x 24  Ø3.5 x 30 mm	G x 30  Ø20 mm	H x 8 
J x 6  L=300mm	K x 6  L=300mm	O x 4  Ø6 x 40 mm					








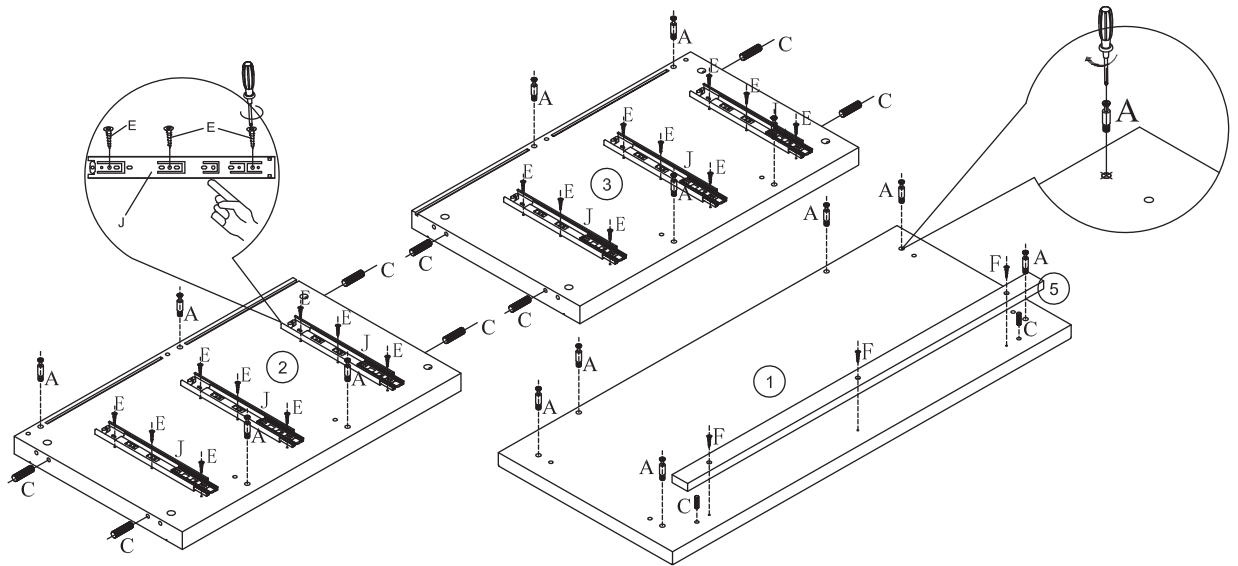
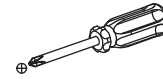
# BANAK

# NAROA




NR-0102BC

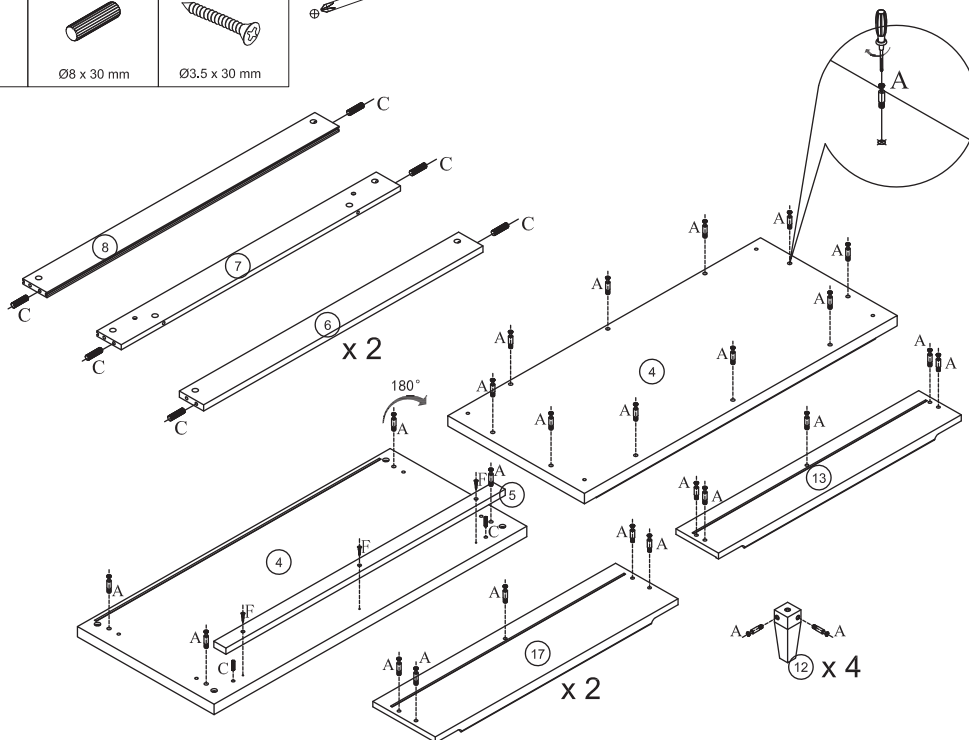
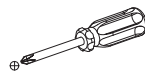
1

A x 14  L= 35 mm	C x 10  Ø8 x 30 mm	J x 6  L=300mm	E x 18  Ø3.5 x 12 mm	F x 3  Ø3.5 x 30 mm
---	---	---	---	--



2

A x 37  L= 35 mm	C x 10  Ø8 x 30 mm	F x 3  Ø3.5 x 30 mm
---	---	--

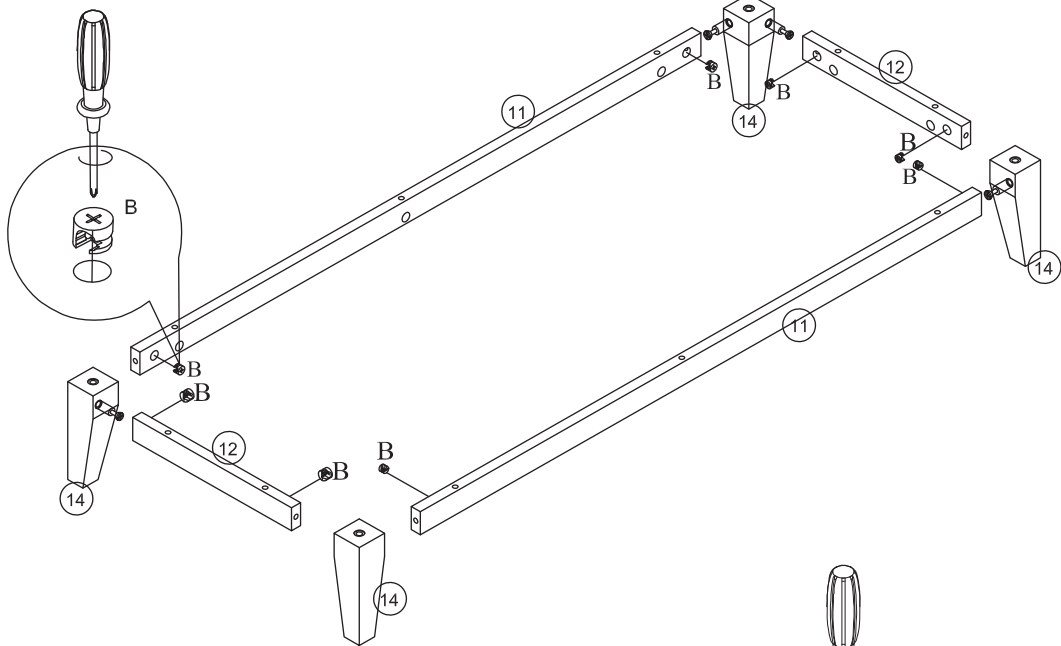
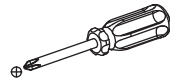
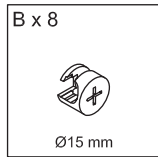


# BANAK

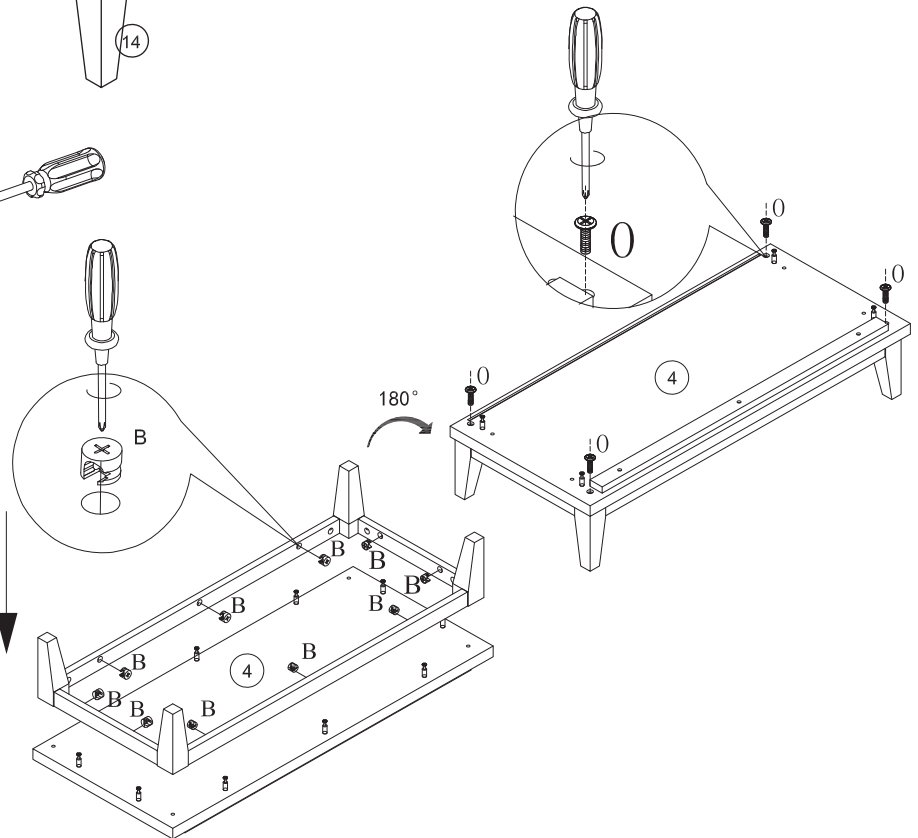
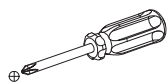
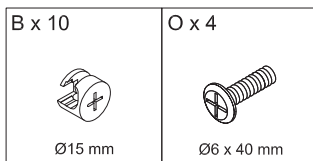
# NAROA

NR-0102BC

3



4





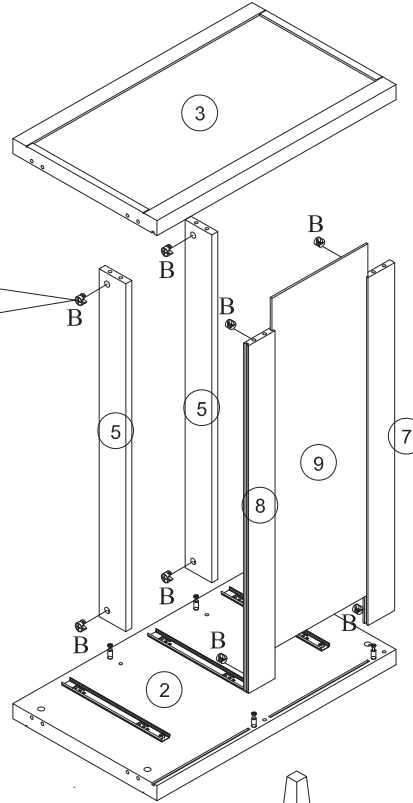
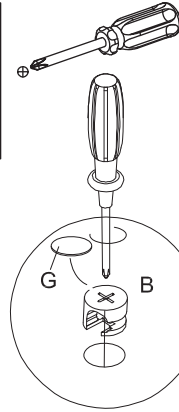
# BANAK

# NAROA



NR-0102BC

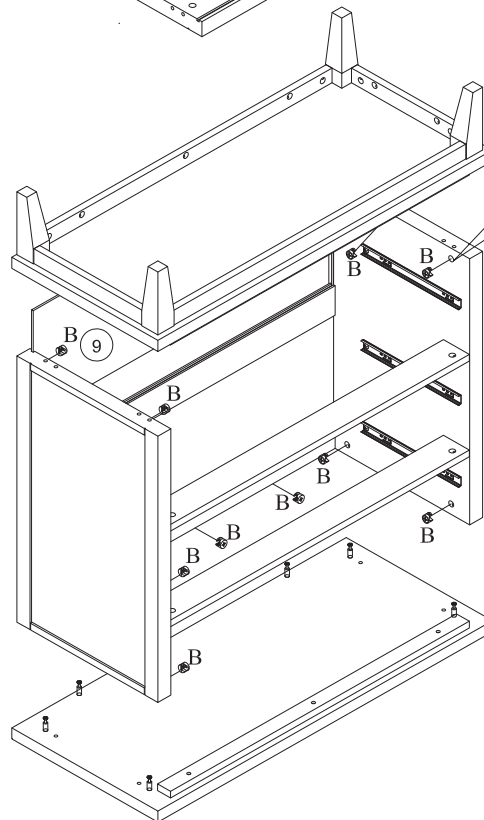
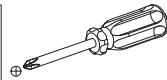
5

B x 8	G x 8
	
Ø15 mm	Ø20 mm



6

B x 10	G x 10
	
Ø15 mm	Ø20 mm

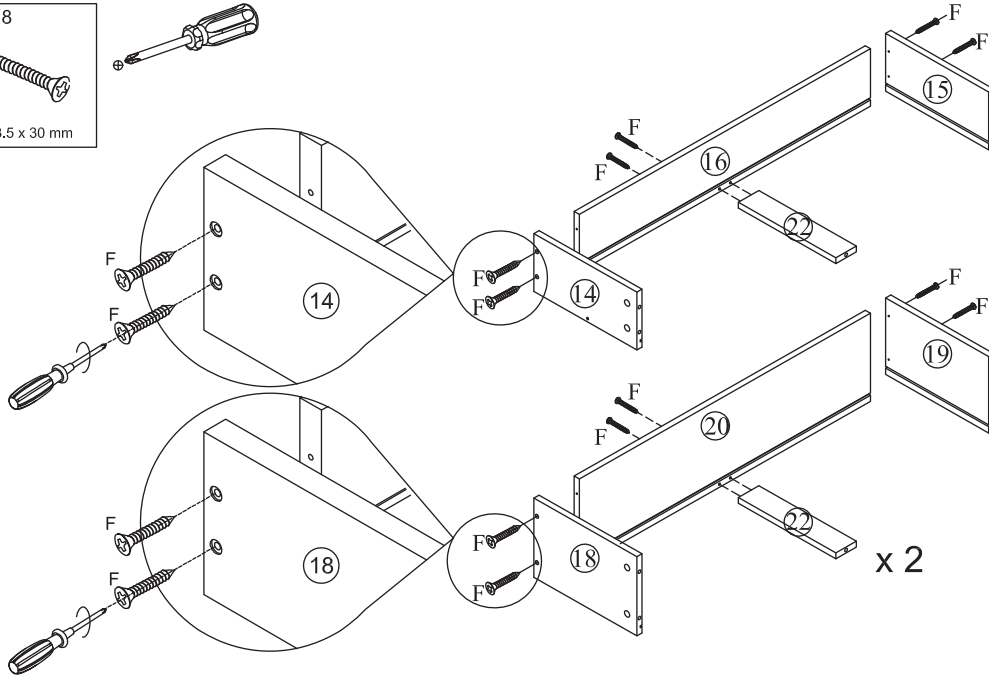
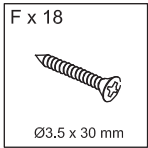


# BANAK

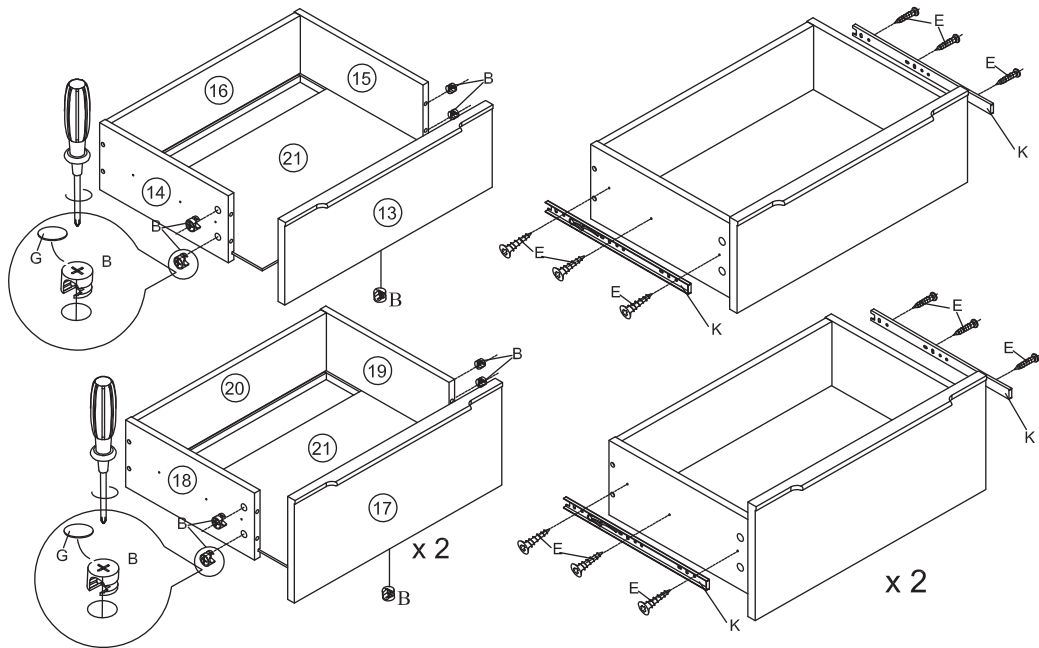
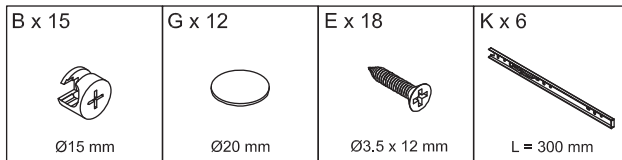
# NAROA

NR-0102BC

7



8

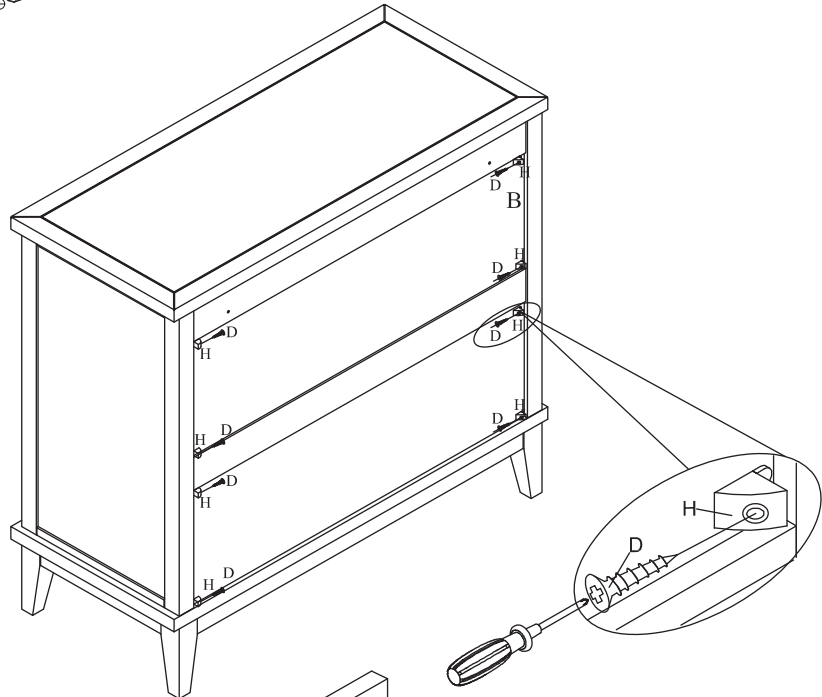
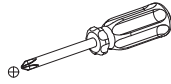
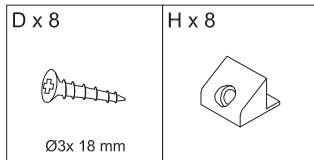


# BANAK

# NAROA

NR-0102BC

9



10

