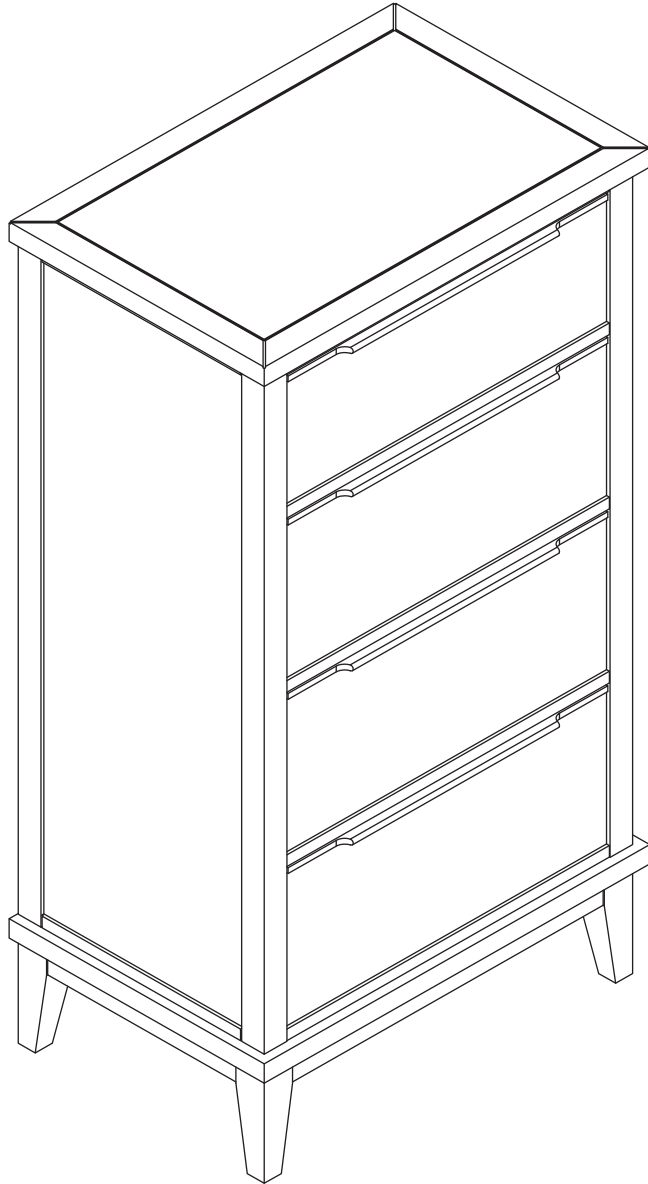


# BANAK

# NAROA

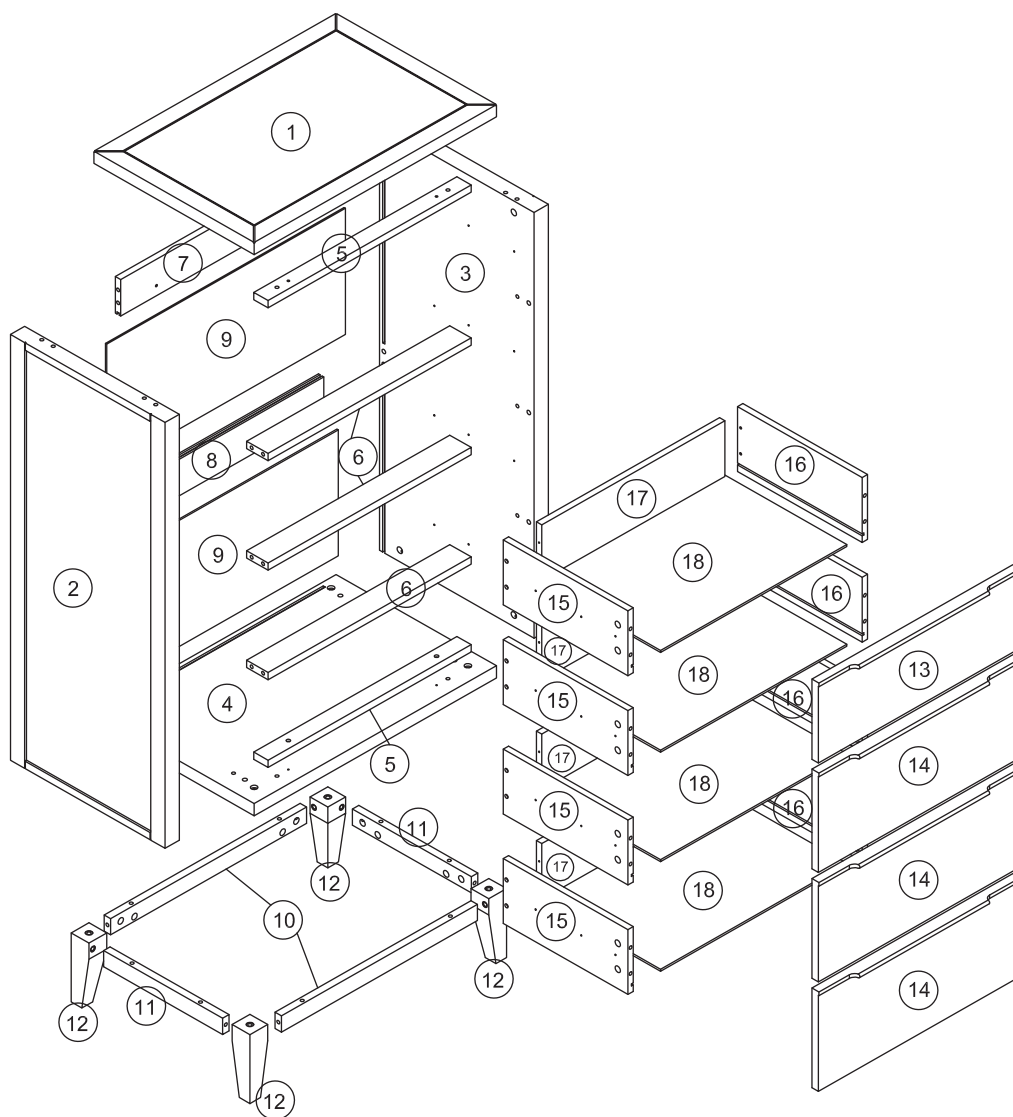
NR-0103BC



# BANAK

# NAROA

NR-0103BC








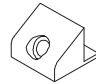





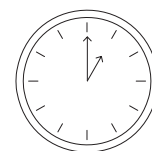
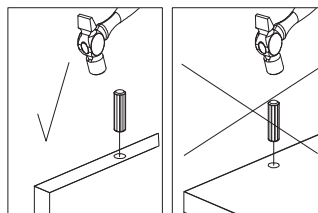
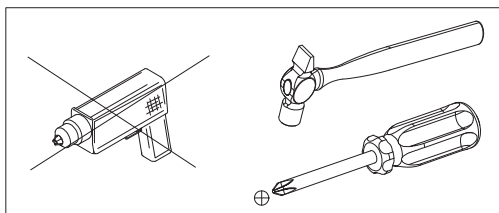
- ① x 1 ud.
- ② x 1 ud.
- ③ x 1 ud.
- ④ x 1 ud.
- ⑤ x 2 uds.
- ⑥ x 3 uds.
- ⑦ x 1 ud.
- ⑧ x 1 ud.
- ⑨ x 2 uds.
- ⑩ x 2 uds.
- ⑪ x 2 uds.
- ⑫ x 4 uds.
- ⑬ x 1 ud.
- ⑭ x 3 uds.
- ⑮ x 4 uds.
- ⑯ x 4 uds.
- ⑰ x 4 uds.
- ⑱ x 4 uds.

# BANAK

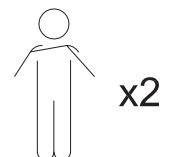
# NAROA

NR-0103BC

A x 55  L= 35 mm	B x 55  Ø15 mm	C x 18  Ø8 x 30 mm	D x 8  Ø3x 18 mm	E x 48  Ø3.5 x 12 mm	F x 20  Ø3.5 x 30 mm	G x 30  Ø20 mm	H x 8 	
J x 8  L=300mm	K x 8  L=300mm	O x 4  Ø6 x 40 mm						



30 min.







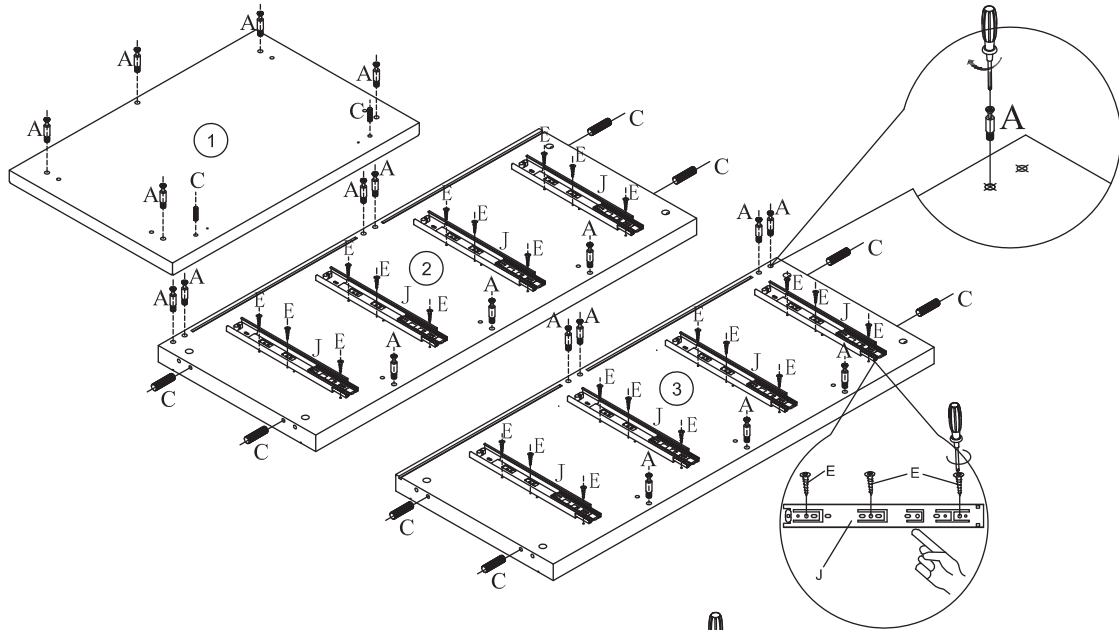
# BANAK

# NAROA



NR-0103BC

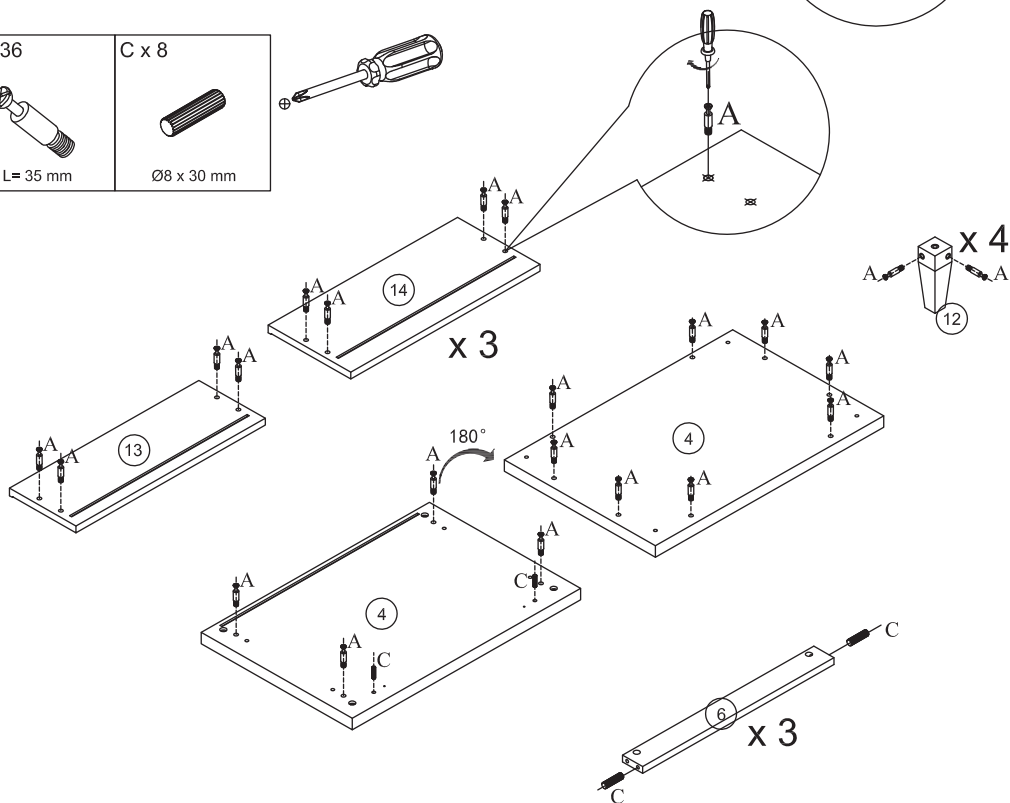
1

A x 19  L= 35 mm	C x 10  Ø8 x 30 mm	J x 8  L=300mm	E x 24  Ø3.5 x 12 mm
---	---	---	---



2

A x 36  L= 35 mm	C x 8  Ø8 x 30 mm
---	--

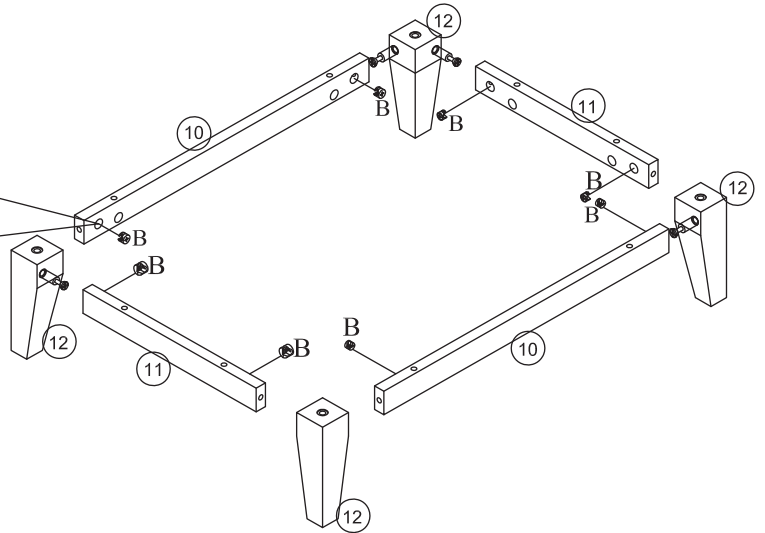
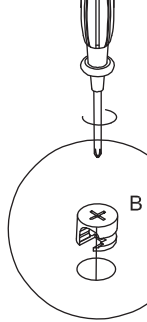
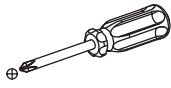
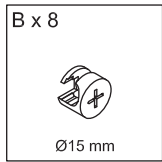


# BANAK

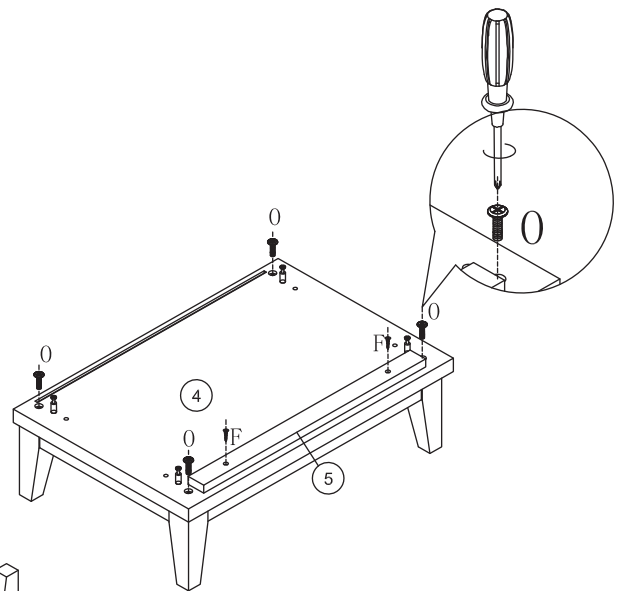
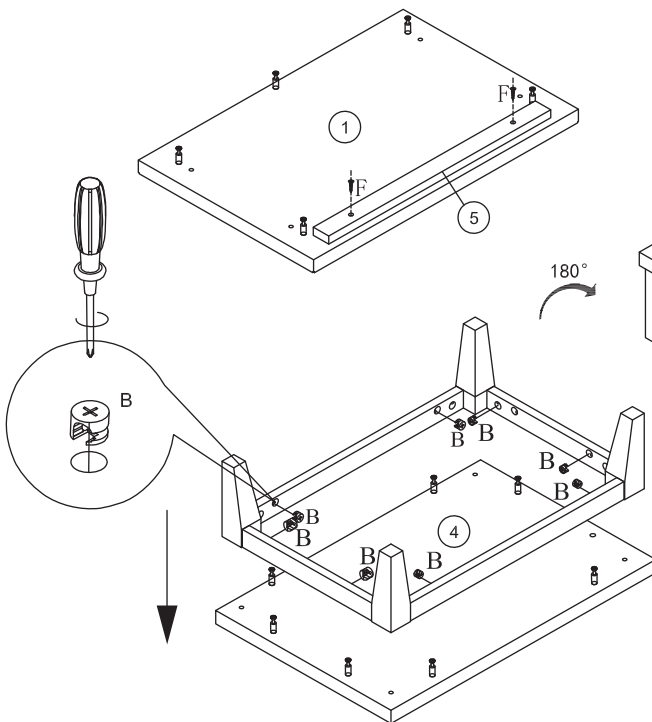
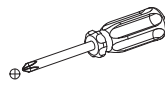
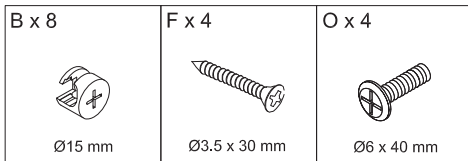
# NAROA

NR-0103BC

3



4

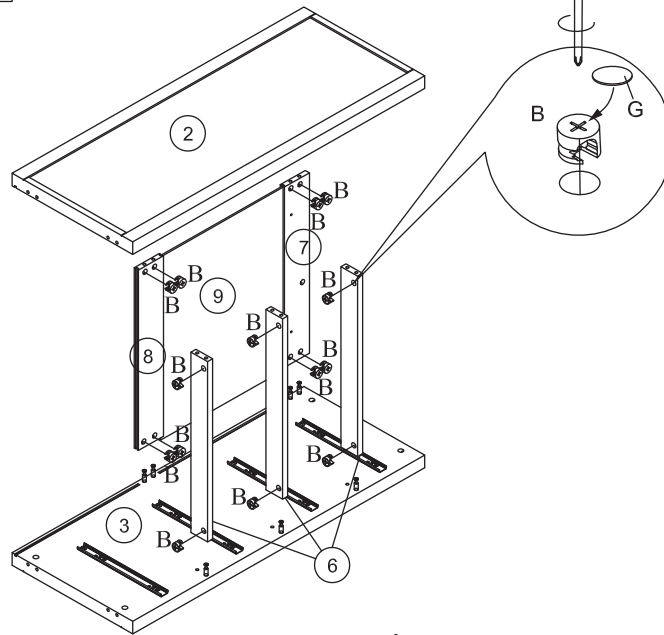
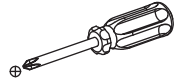
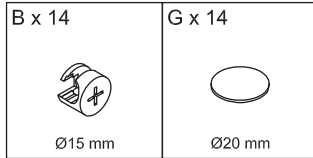


# BANAK

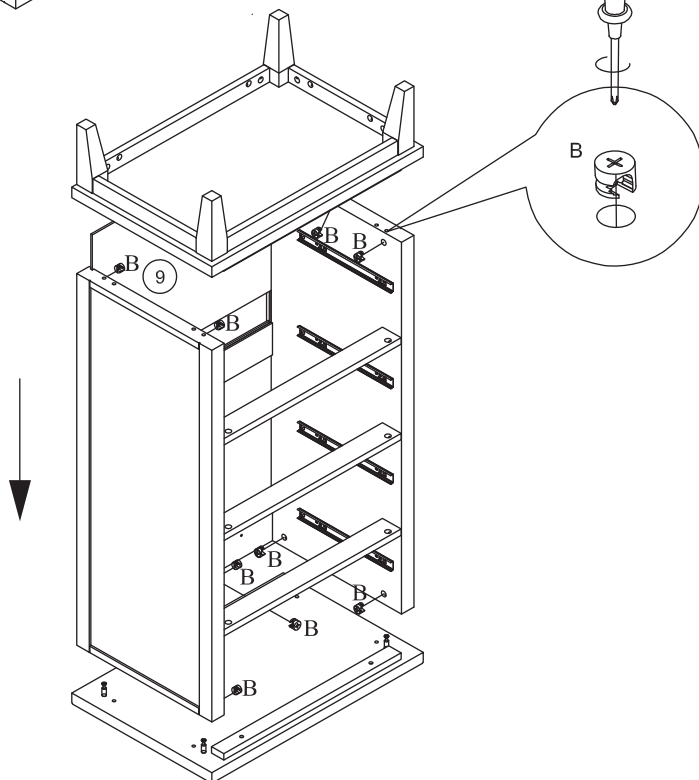
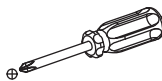
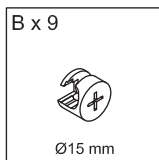
# NAROA

NR-0103BC

5



6

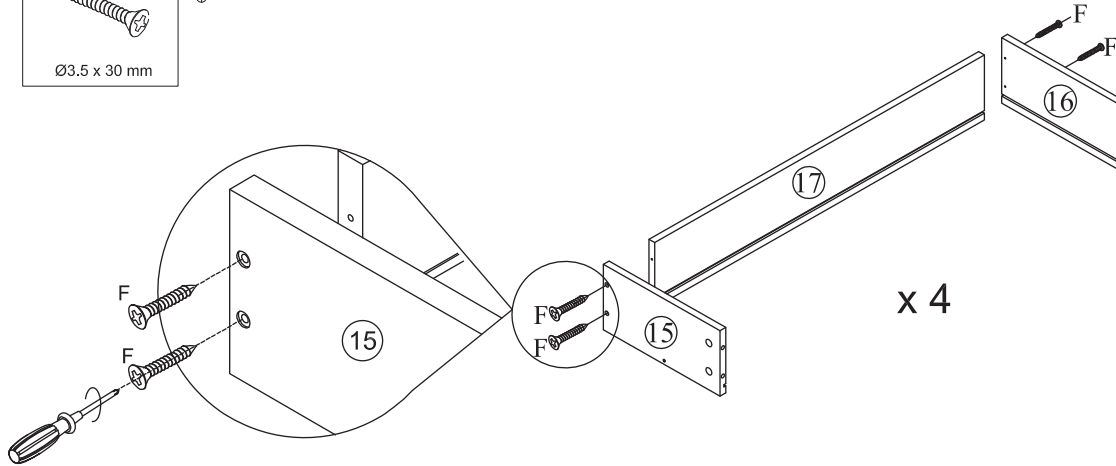
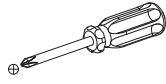
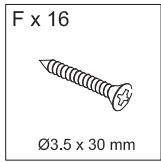


# BANAK

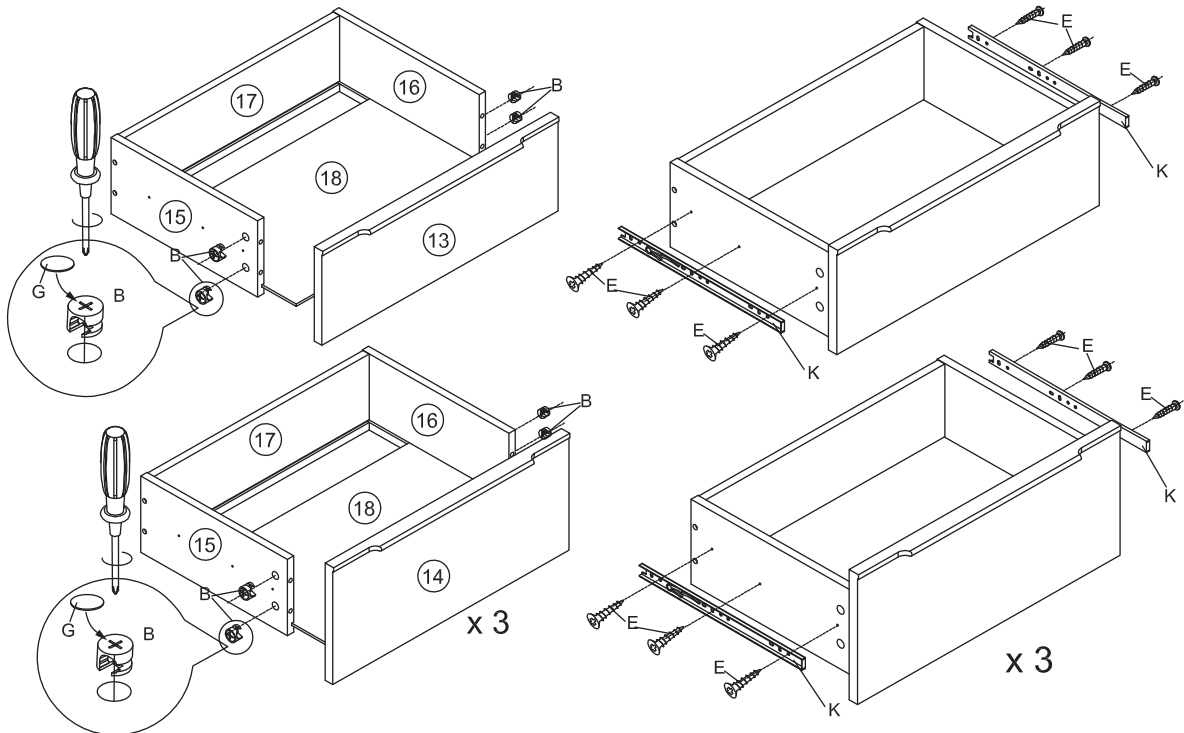
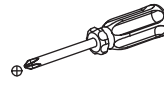
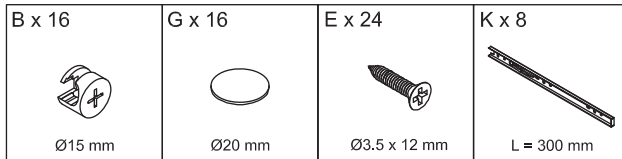
# NAROA

NR-0103BC

7



8

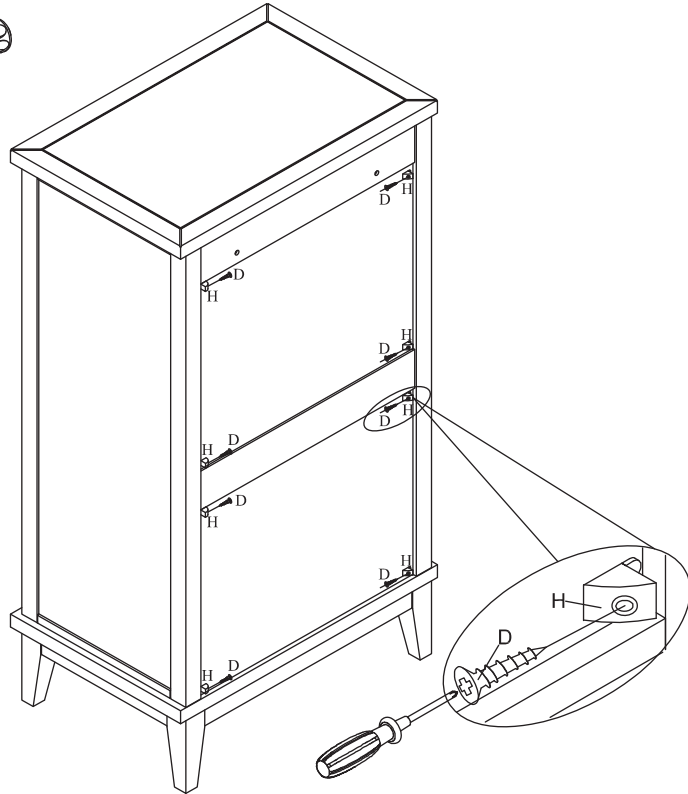
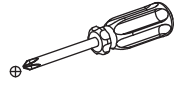
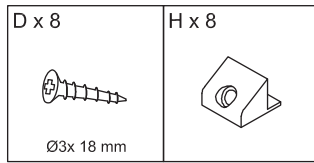


# BANAK

# NAROA

NR-0103BC

9



10

