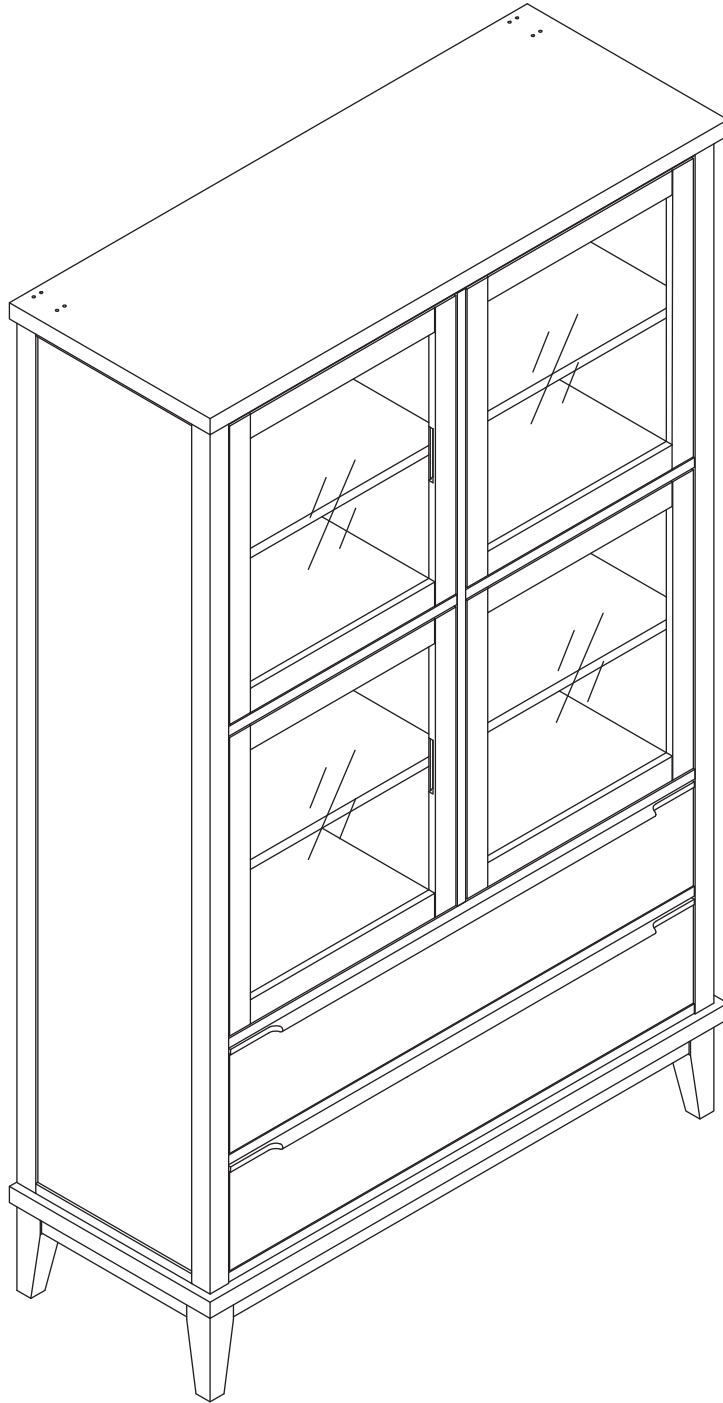


BANAK

NAROA

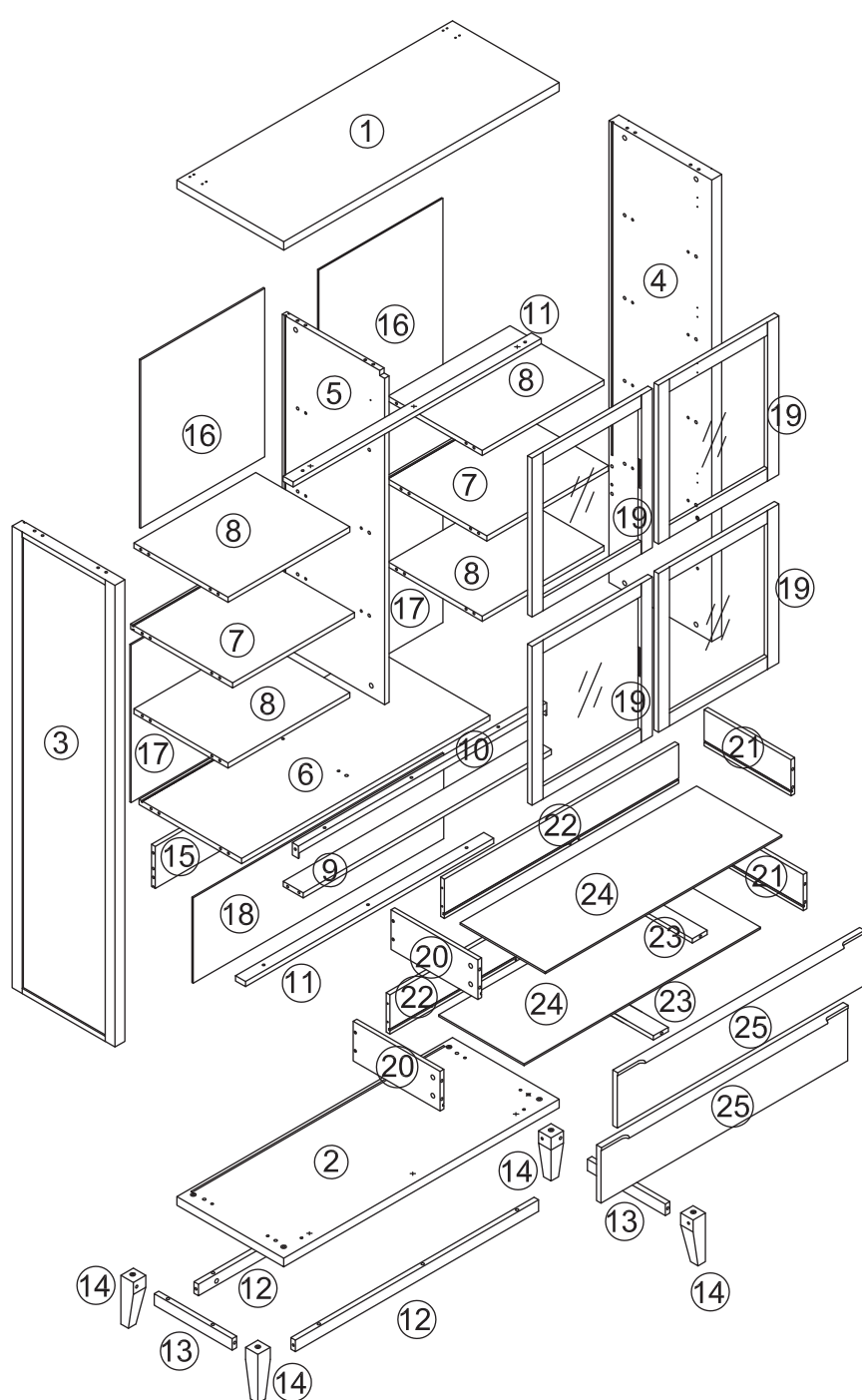
NR-0105BC



BANAK

NAROA

NR-0105BC







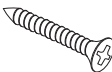


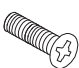









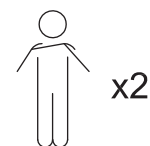
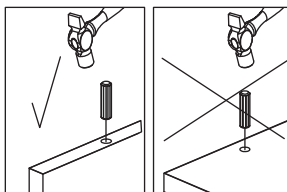
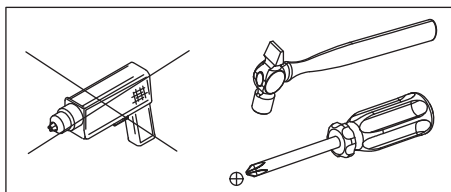
- ① x 1 ud.
- ② x 1 ud.
- ③ x 1 ud.
- ④ x 1 ud.
- ⑤ x 1 ud.
- ⑥ x 1 ud.
- ⑦ x 2 uds.
- ⑧ x 4 uds.
- ⑨ x 1 ud.
- ⑩ x 1 ud.
- ⑪ x 2 uds.
- ⑫ x 2 uds.
- ⑬ x 2 uds.
- ⑭ x 4 uds.
- ⑮ x 1 ud.
- ⑯ x 2 uds.
- ⑰ x 2 uds.
- ⑱ x 1 ud.
- ⑲ x 4 uds.
- ⑳ x 2 uds.
- ㉑ x 2 uds.
- ㉒ x 2 uds.
- ㉓ x 2 uds.
- ㉔ x 2 uds.
- ㉕ x 2 uds.

BANAK

NAROA

NR-0105BC

<p>A x 61</p>  <p>L= 35 mm</p>	<p>B x 61</p>  <p>Ø15 mm</p>	<p>C x 34</p>  <p>Ø8 x 30 mm</p>	<p>D x 24</p>  <p>Ø3.5x12</p>	<p>E x 32</p>  <p>Ø3.5x14</p>	<p>F x 8</p>  <p>Ø4x16</p>	<p>G x 18</p>  <p>Ø3.5x30</p>	<p>H x 2</p>  <p>79x30x40</p>
<p>I x 2</p>  <p>M6x14mm</p>	<p>J x 8</p>  <p>M6x35mm</p>	<p>K x 12</p> 	<p>L x 70</p>  <p>Ø20mm</p>	<p>M x 12</p>  <p>Ø3x 18 mm</p>	<p>N x 16</p> 	<p>O x 4</p>  <p>L=300mm</p>	<p>P x 4</p>  <p>L=300mm</p>
<p>Q x 8</p> 							

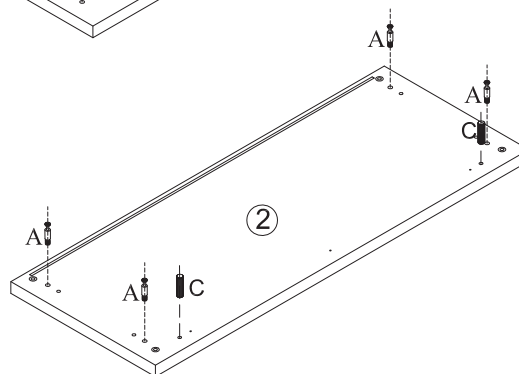
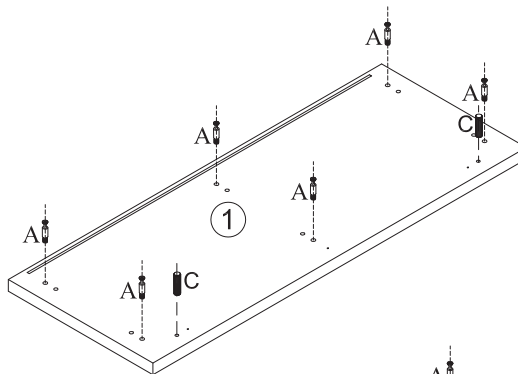
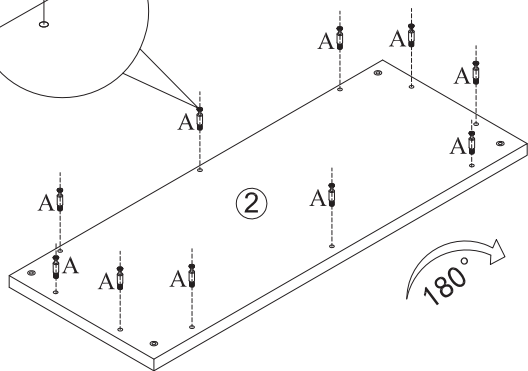
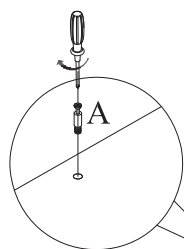
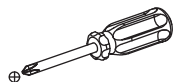
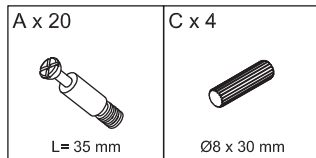


BANAK

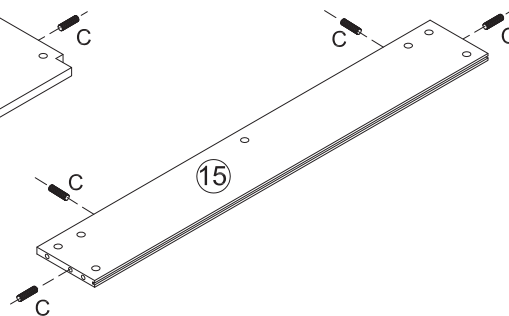
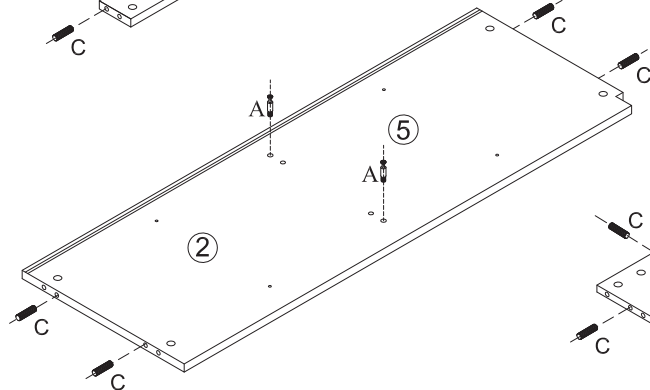
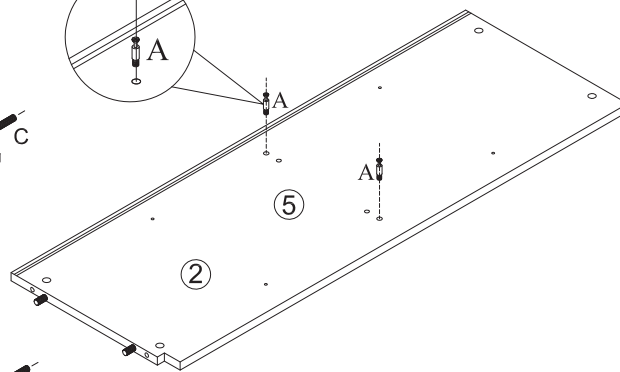
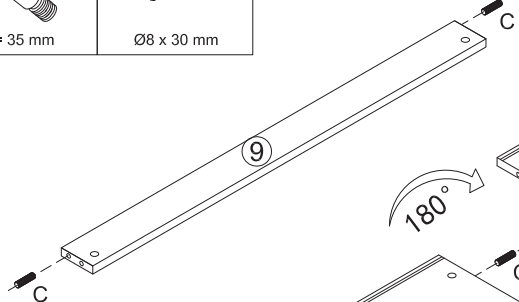
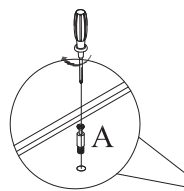
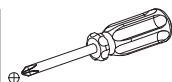
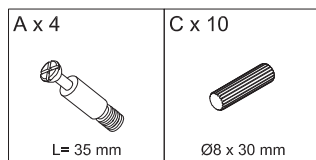
NAROA

NR-0105BC

1



2



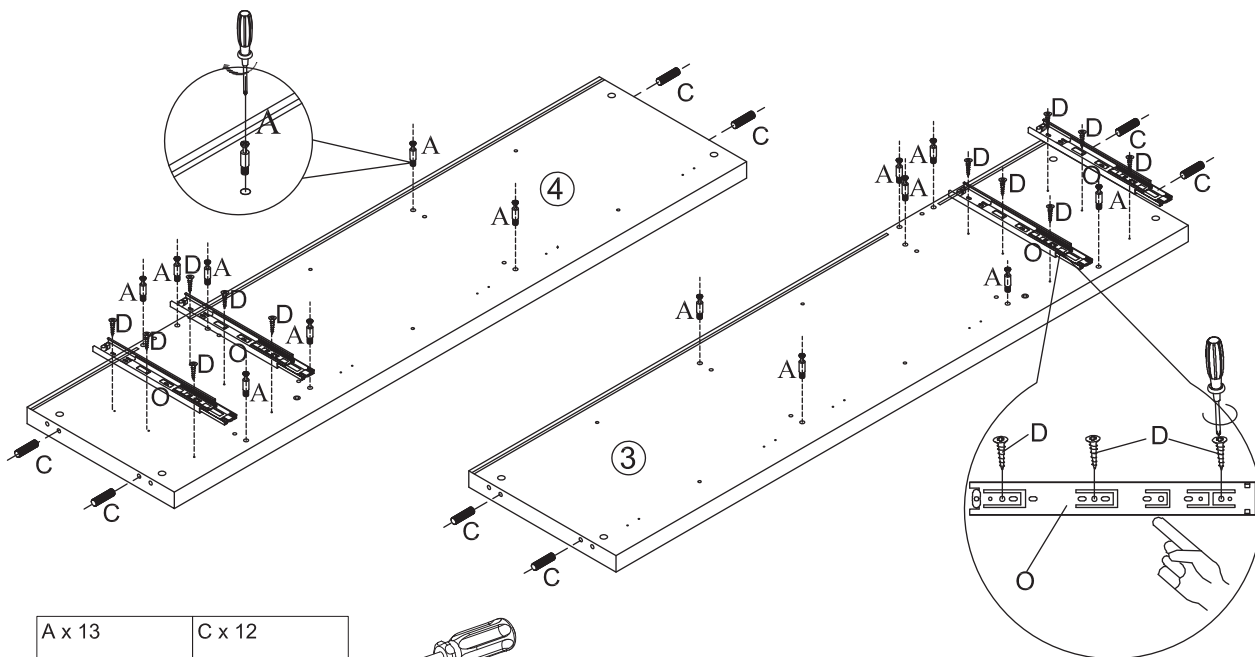
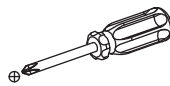
BANAK

NAROA

NR-0105BC

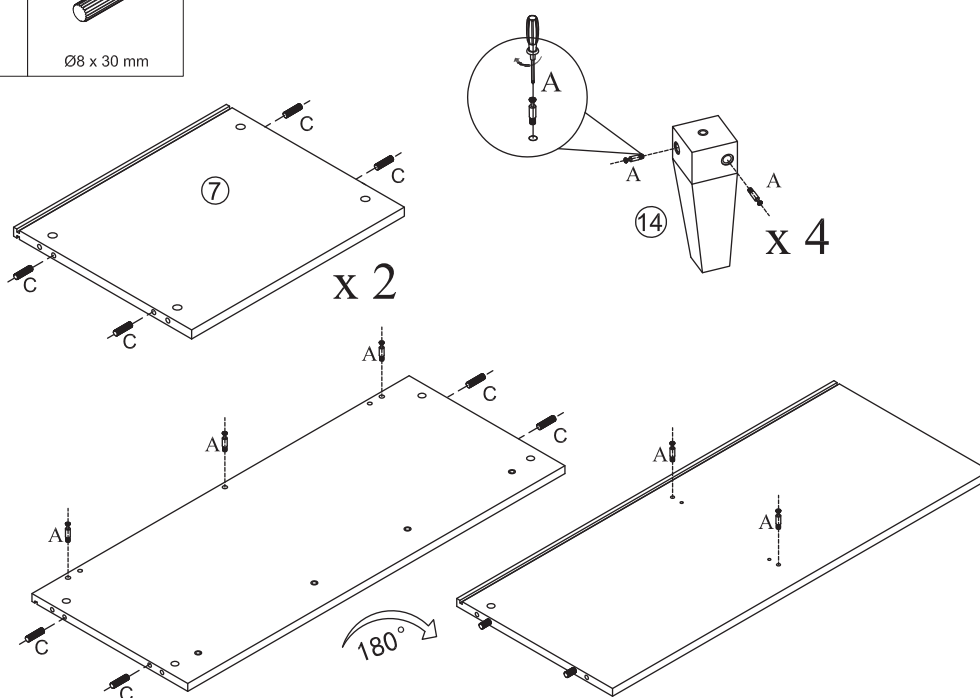
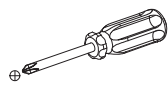
3

A x 14 L= 35 mm	C x 8 Ø8 x 30 mm	D x 12 Ø3.5x12	O x 4 L=300mm
--------------------	---------------------	-------------------	------------------



4

A x 13 L= 35 mm	C x 12 Ø8 x 30 mm
--------------------	----------------------






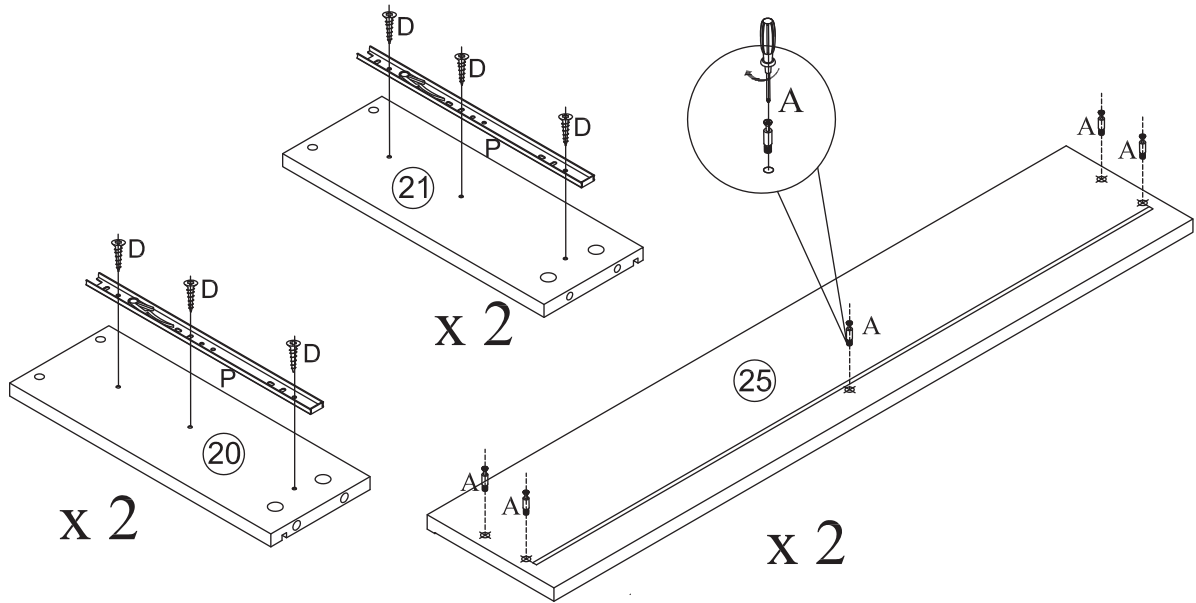
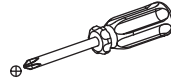
BANAK

NAROA



NR-0105BC

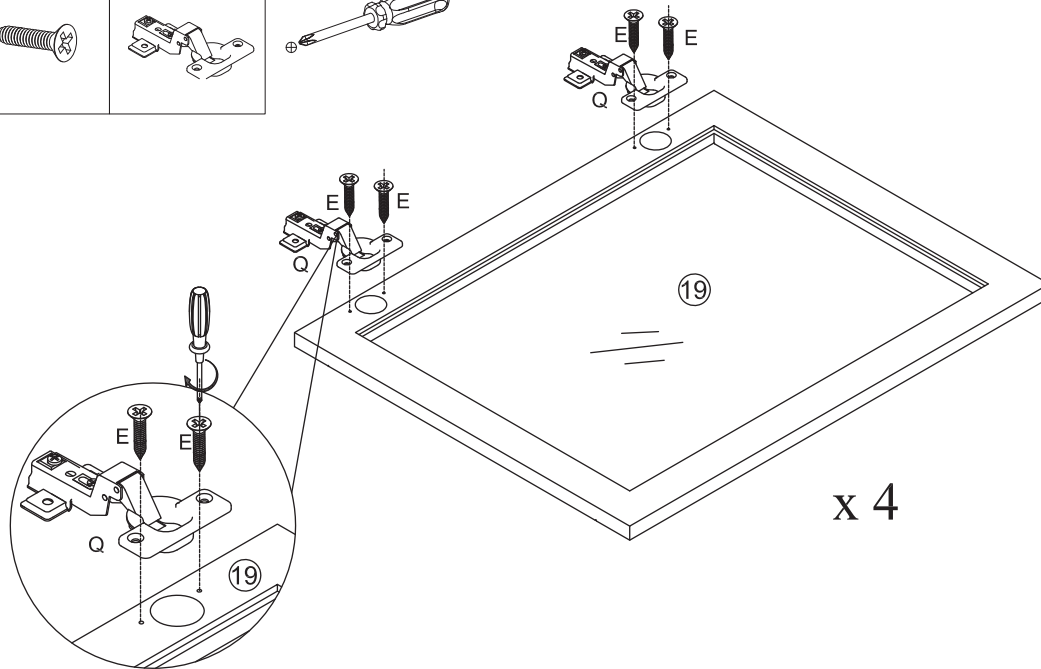
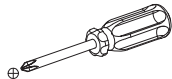
5

A x 10  L= 35 mm	D x 12  Ø3.5x12	P x 4  L=300mm
---	--	---



6

E x 16 	Q x 8 
---	--






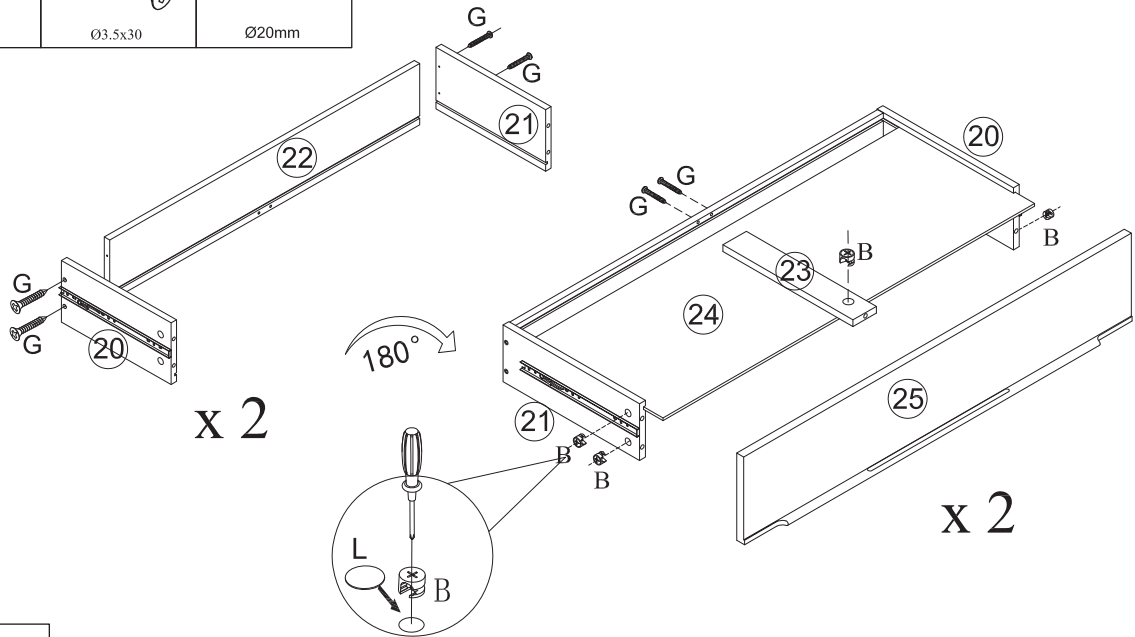
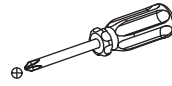
BANAK

NAROA


NR-0105BC

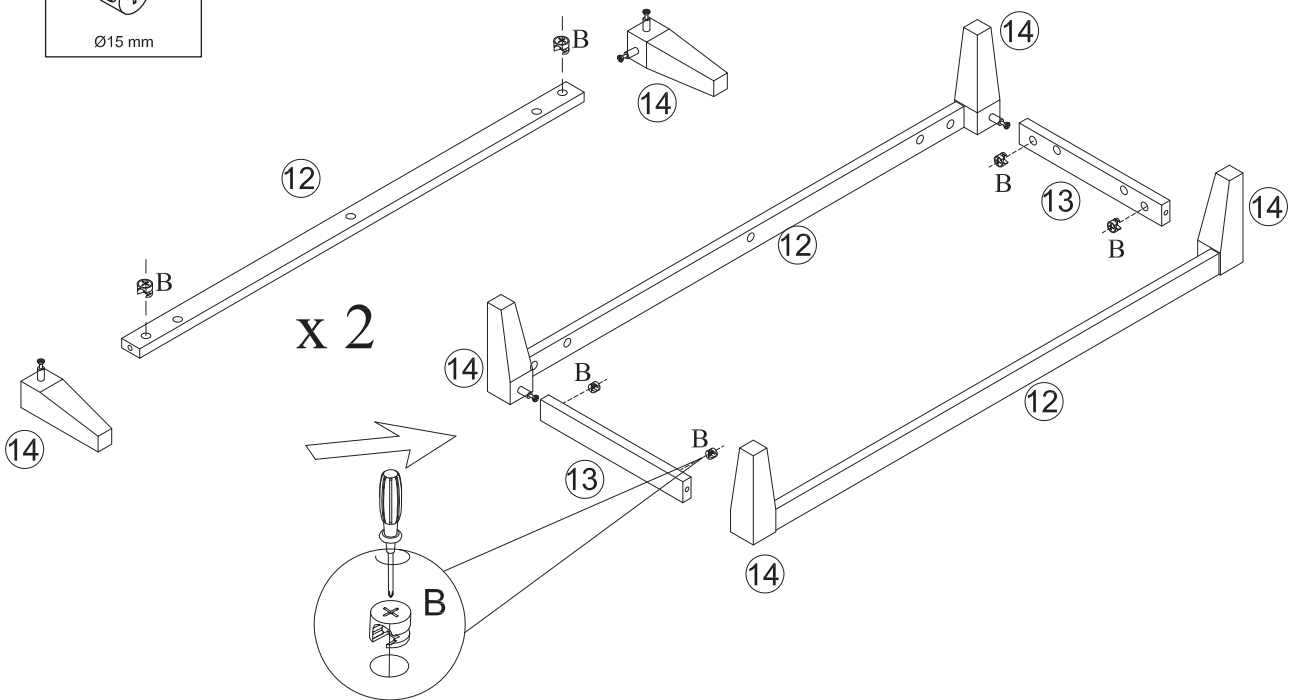
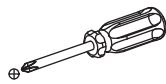
7

B x 10  Ø15 mm	G x 12  Ø3.5x30	L x 10  Ø20mm
---	--	--



8

B x 8  Ø15 mm
--


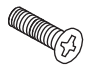



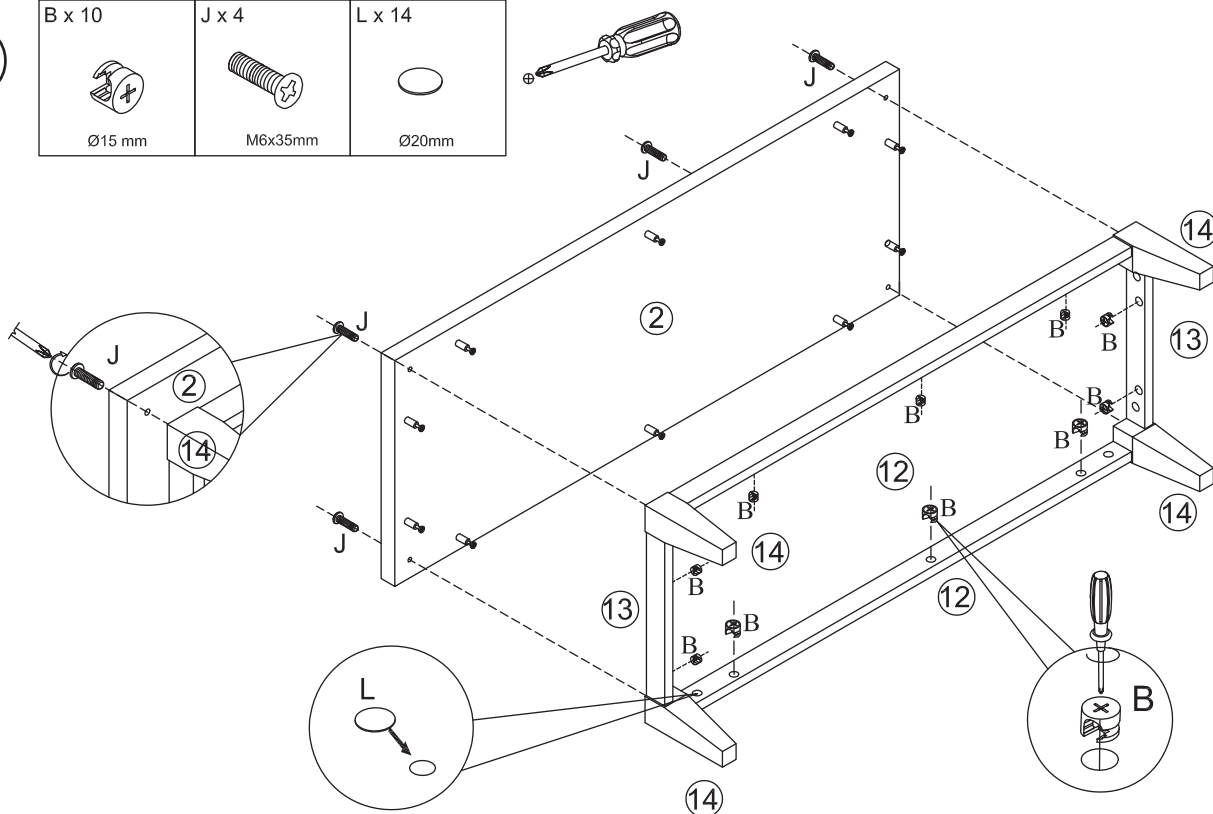
BANAK

NAROA


NR-0105BC

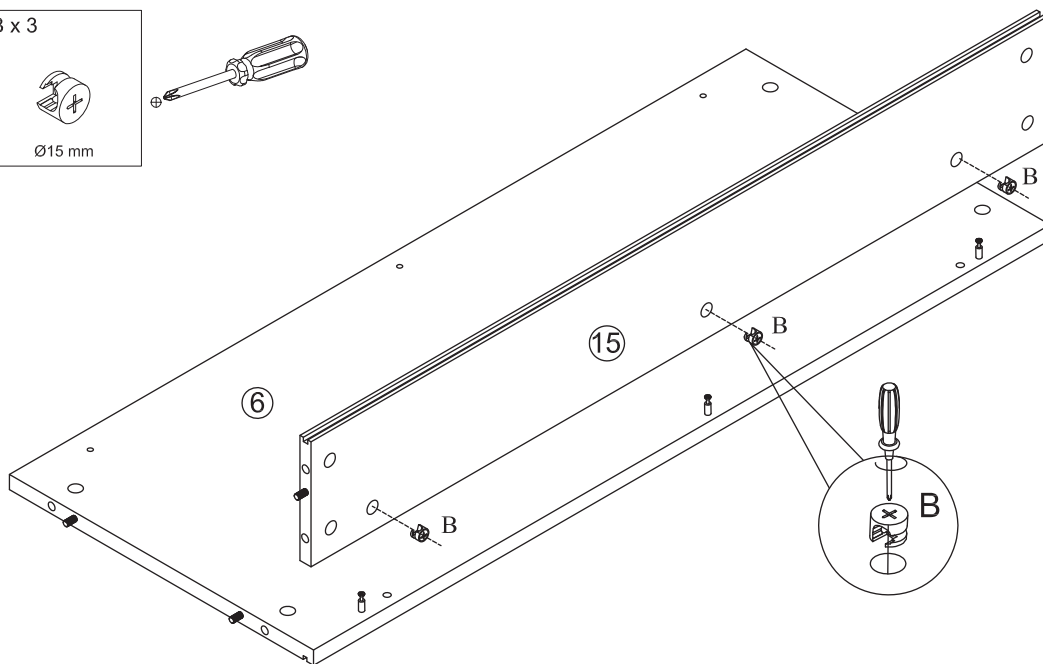
9

B x 10  Ø15 mm	J x 4  M6x35mm	L x 14  Ø20mm
---	---	--



10

B x 3  Ø15 mm
--

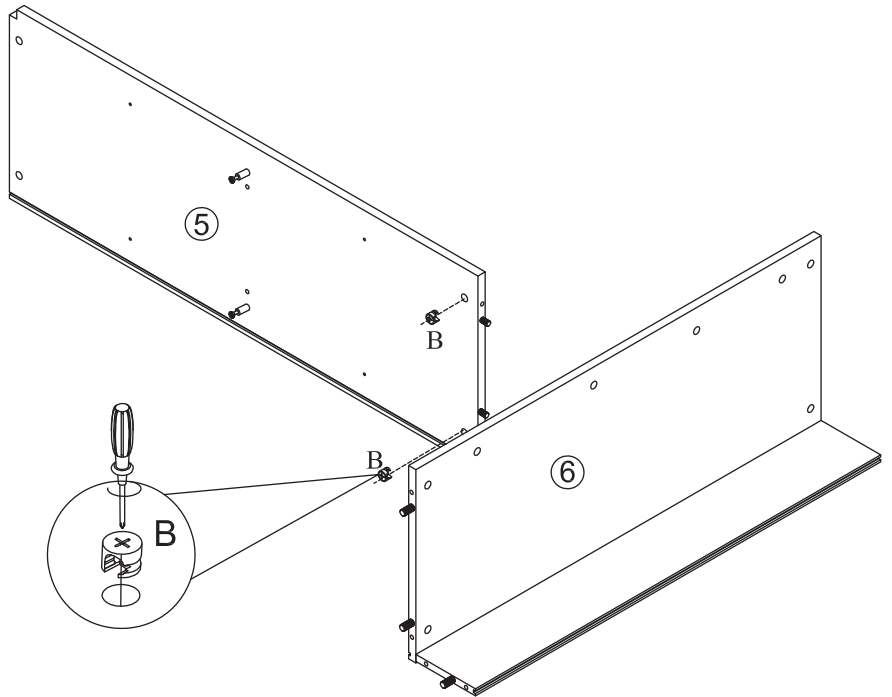
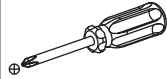
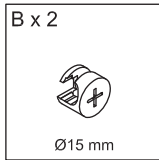


BANAK

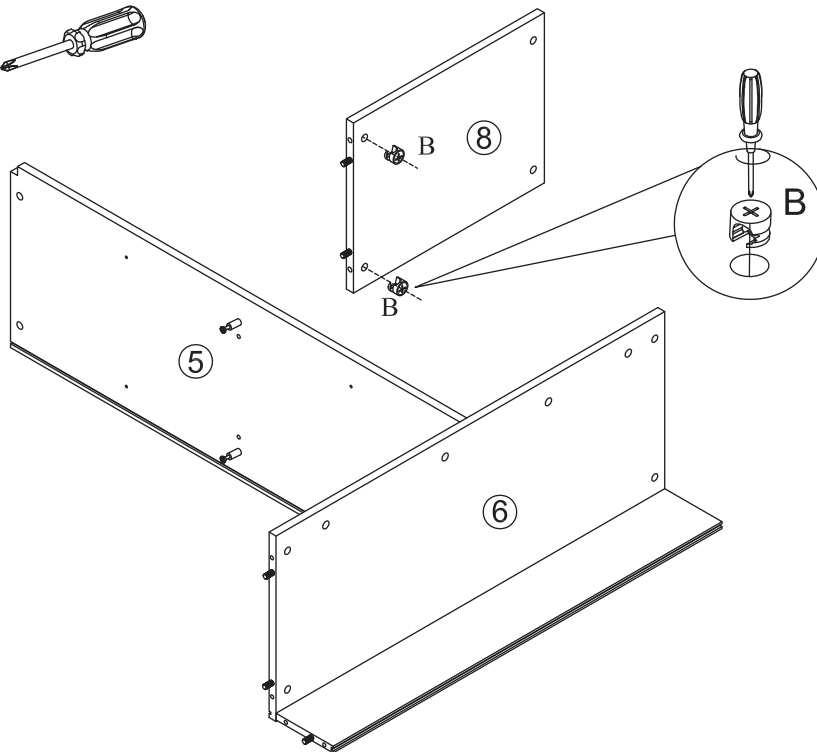
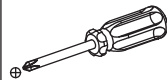
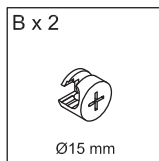
NAROA

NR-0105BC

11



12

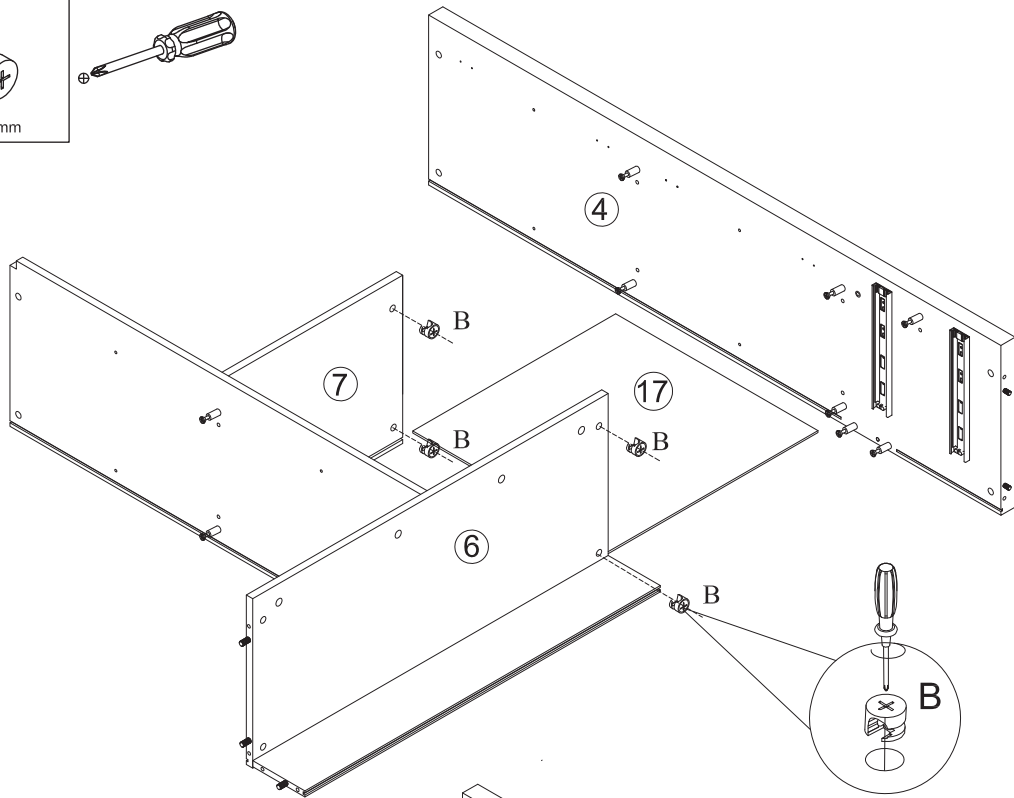
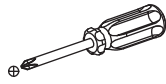
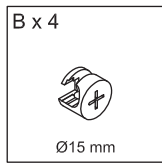


BANAK

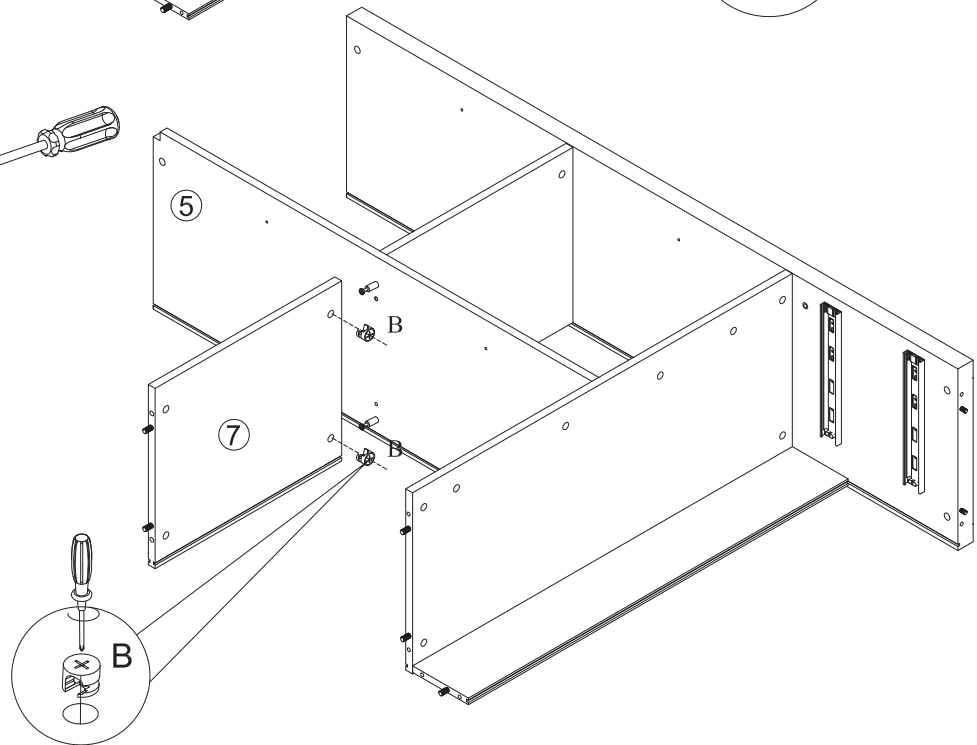
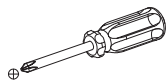
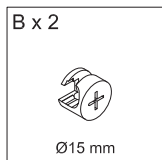
NAROA

NR-0105BC

13



14






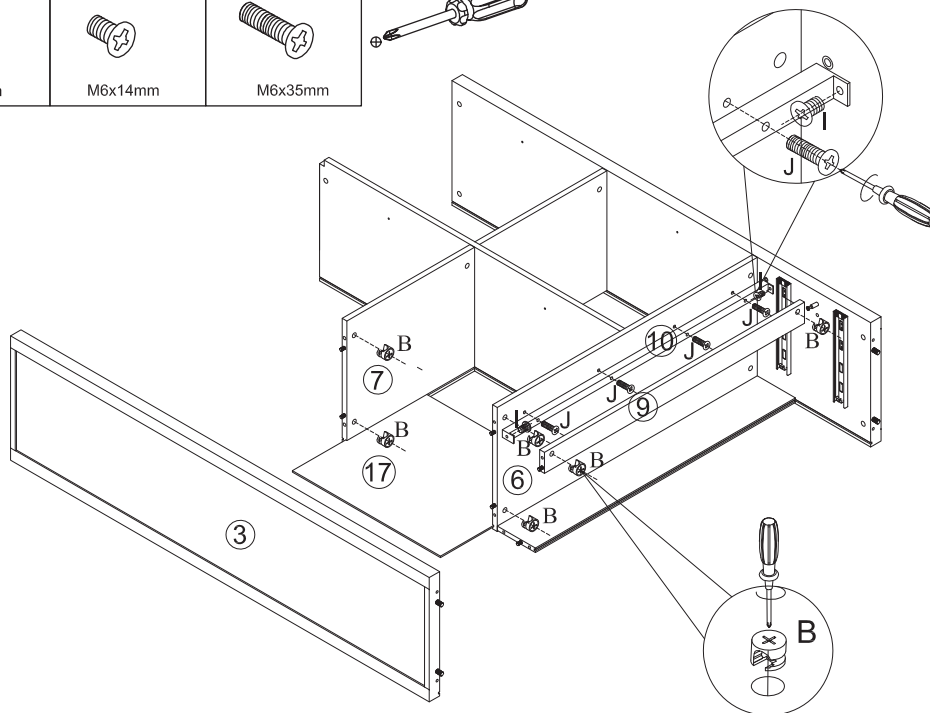
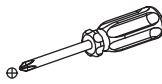
BANAK

NAROA


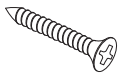
NR-0105BC

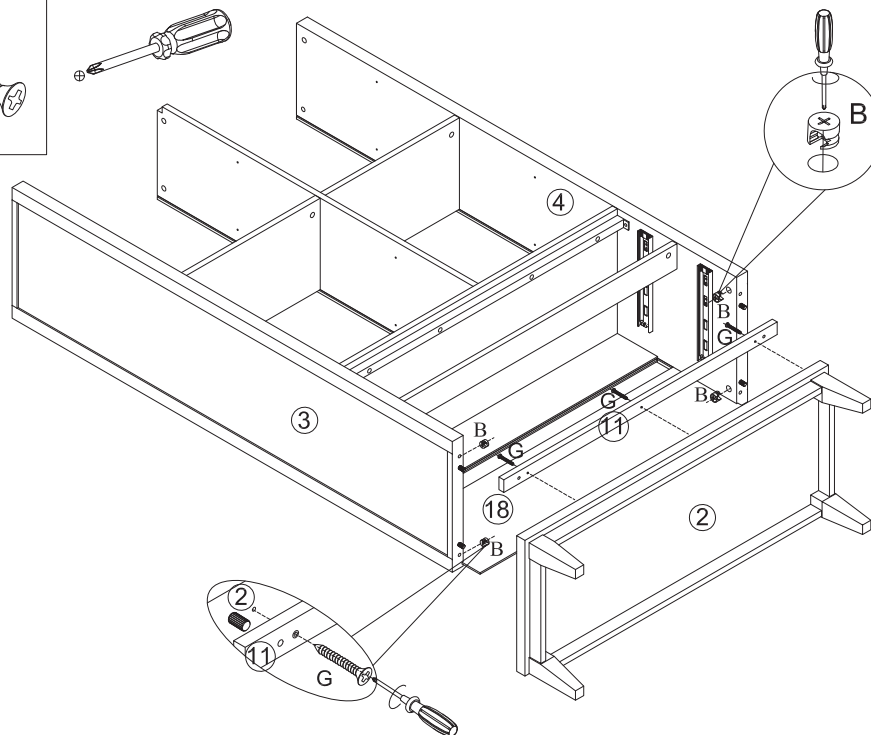
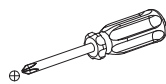
15

B x 6  Ø15 mm	I x 2  M6x14mm	J x 4  M6x35mm
--	---	---



16

B x 4  Ø15 mm	G x 3  Ø3.5x30
--	---

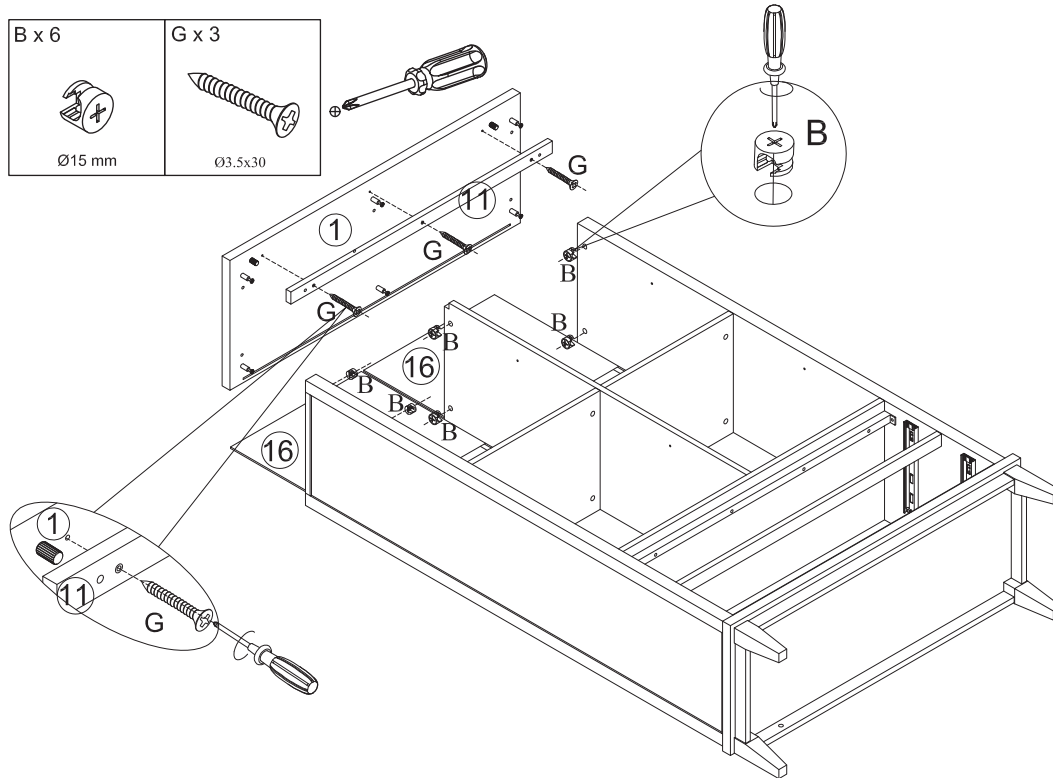
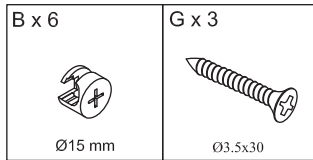


BANAK

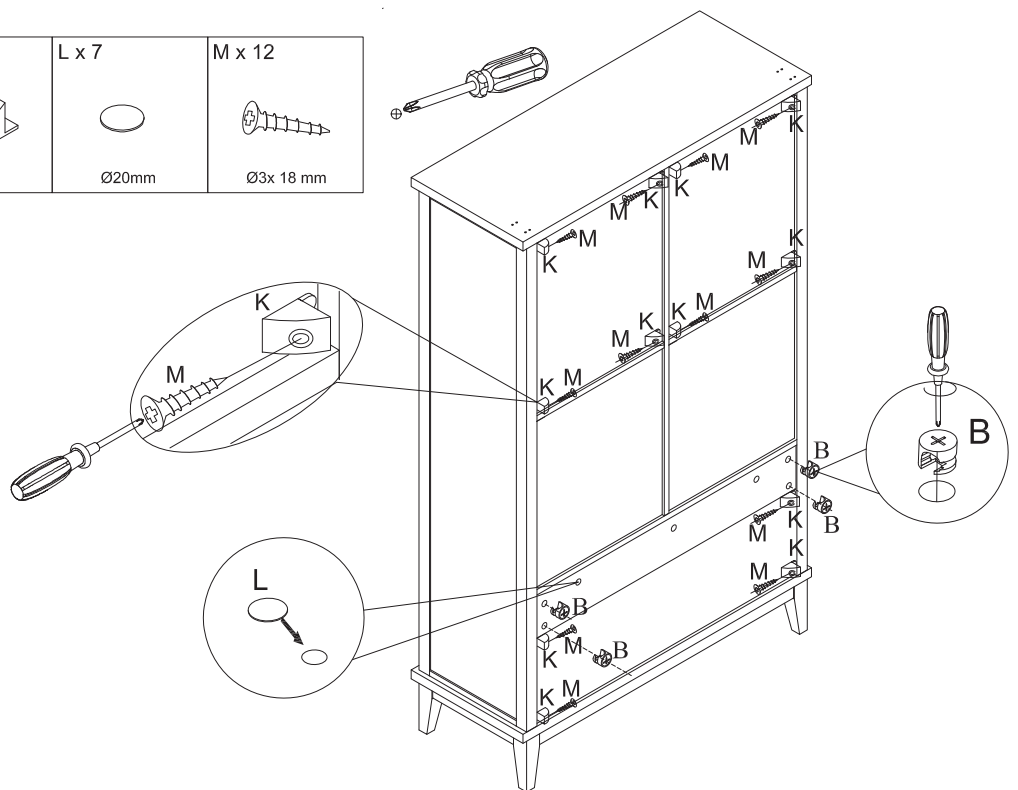
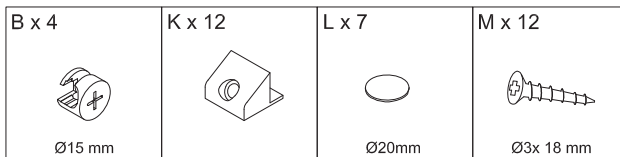
NAROA

NR-0105BC

17



18

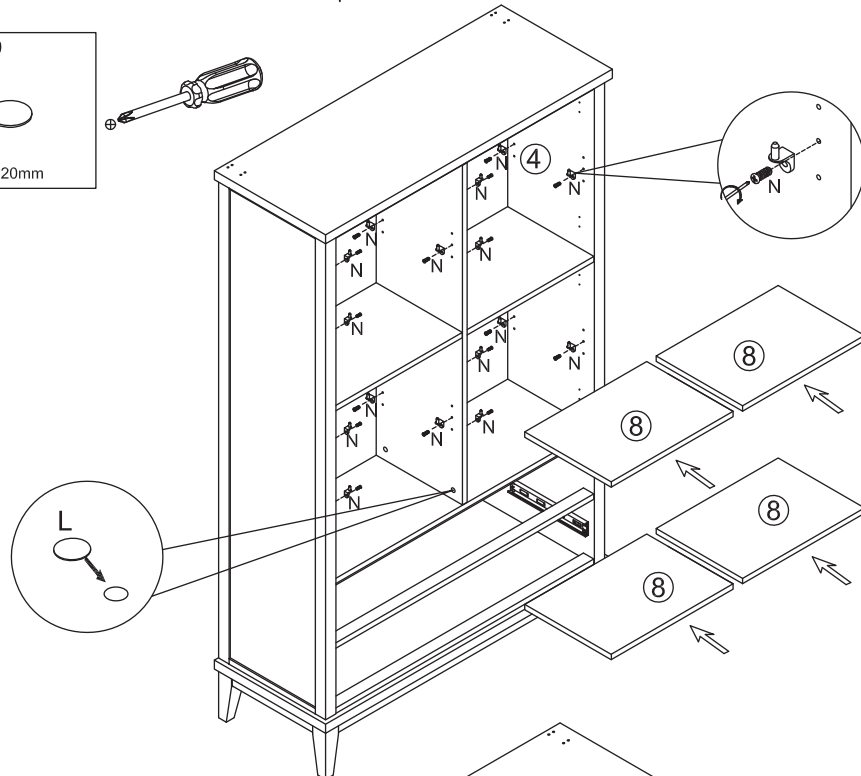
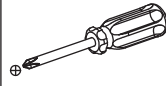
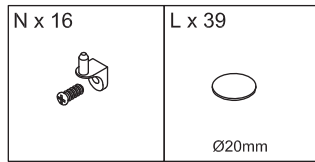


BANAK

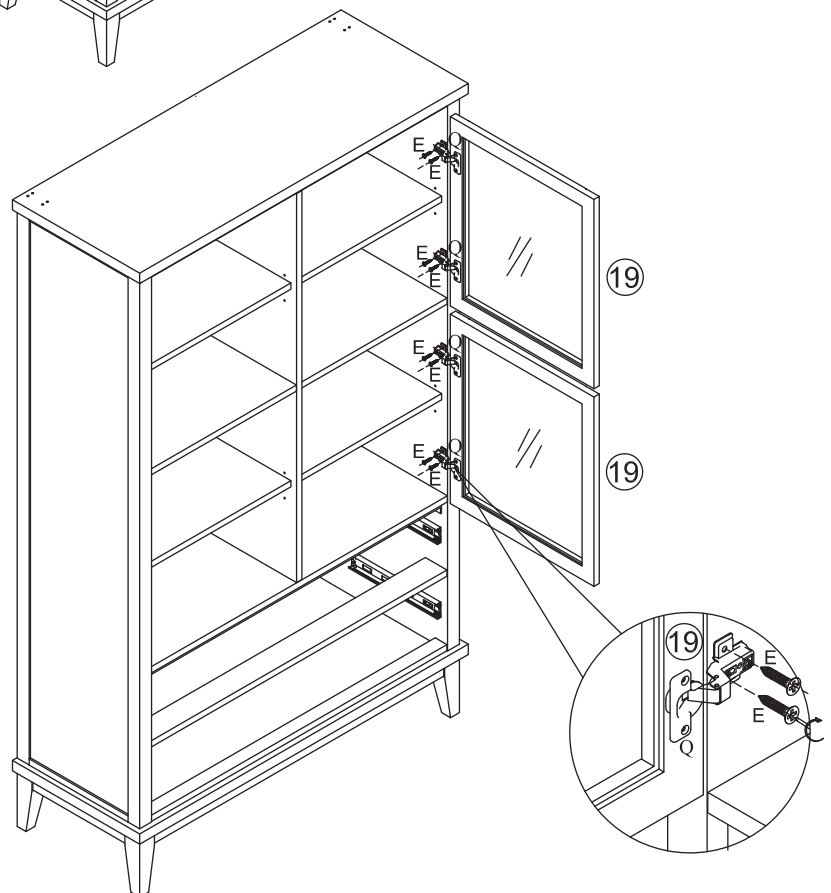
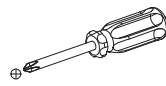
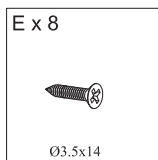
NAROA

NR-0105BC

19



20

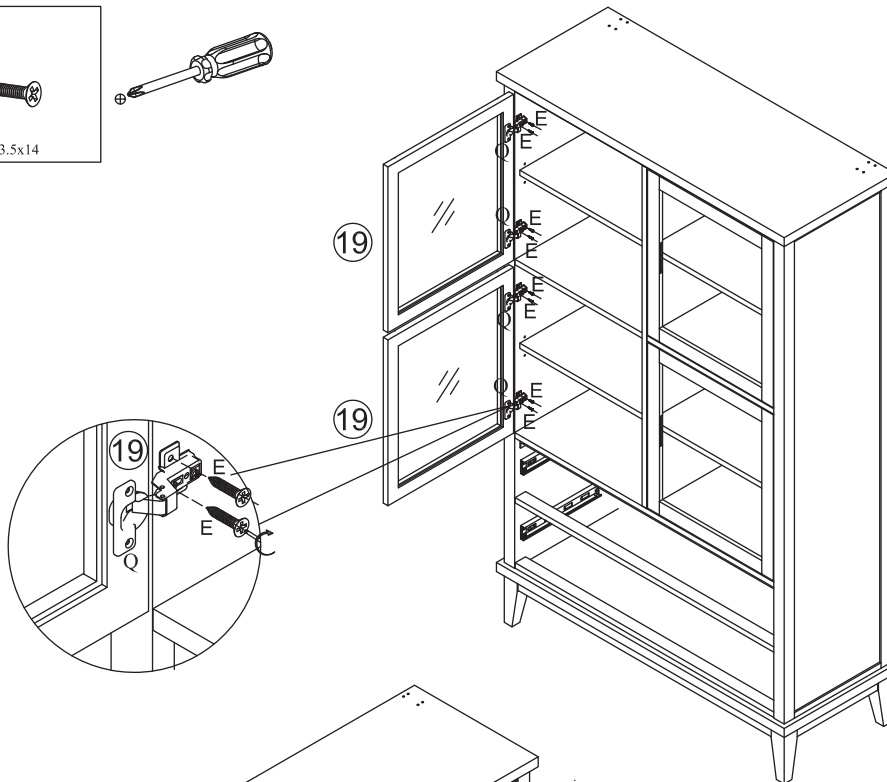
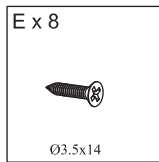


BANAK

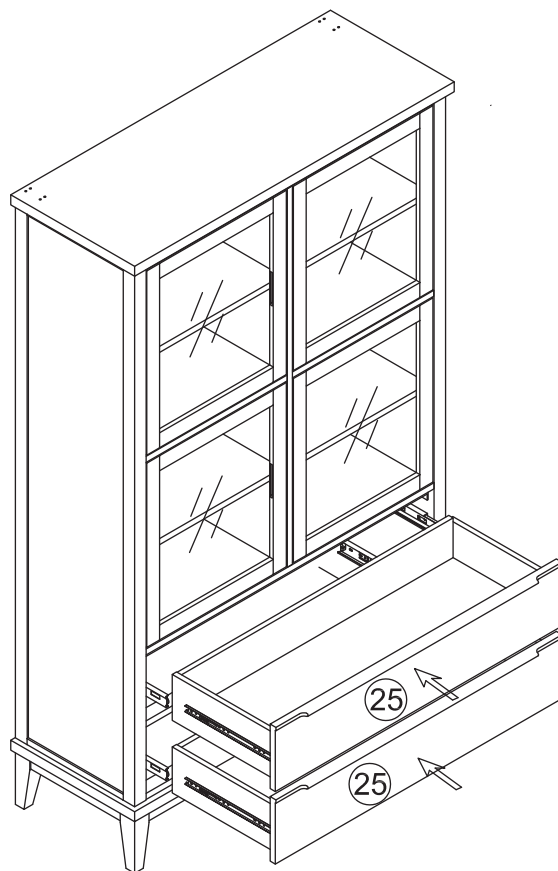
NAROA

NR-0105BC

21



22



BANAK

NAROA

NR-0105BC

23

