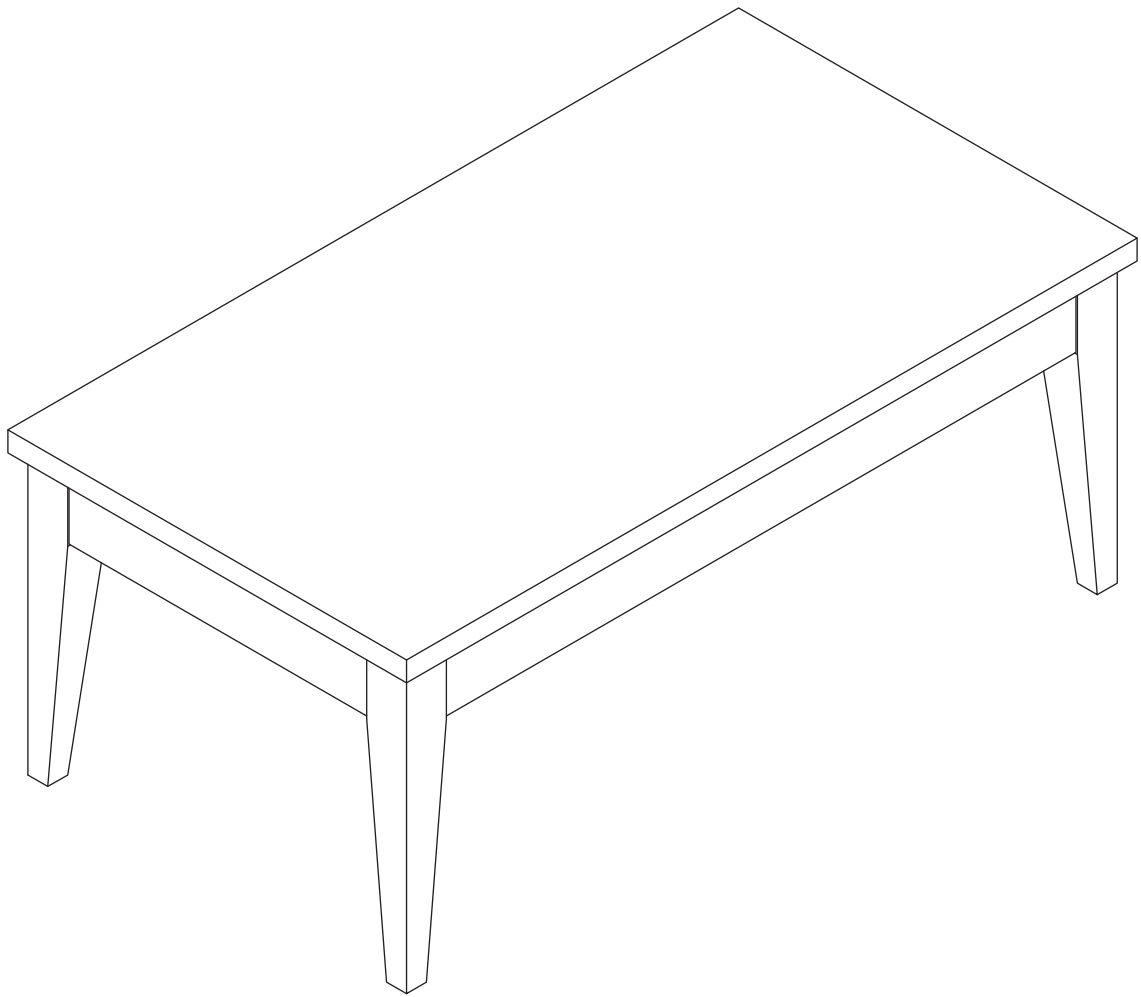


BANAK

NAROA

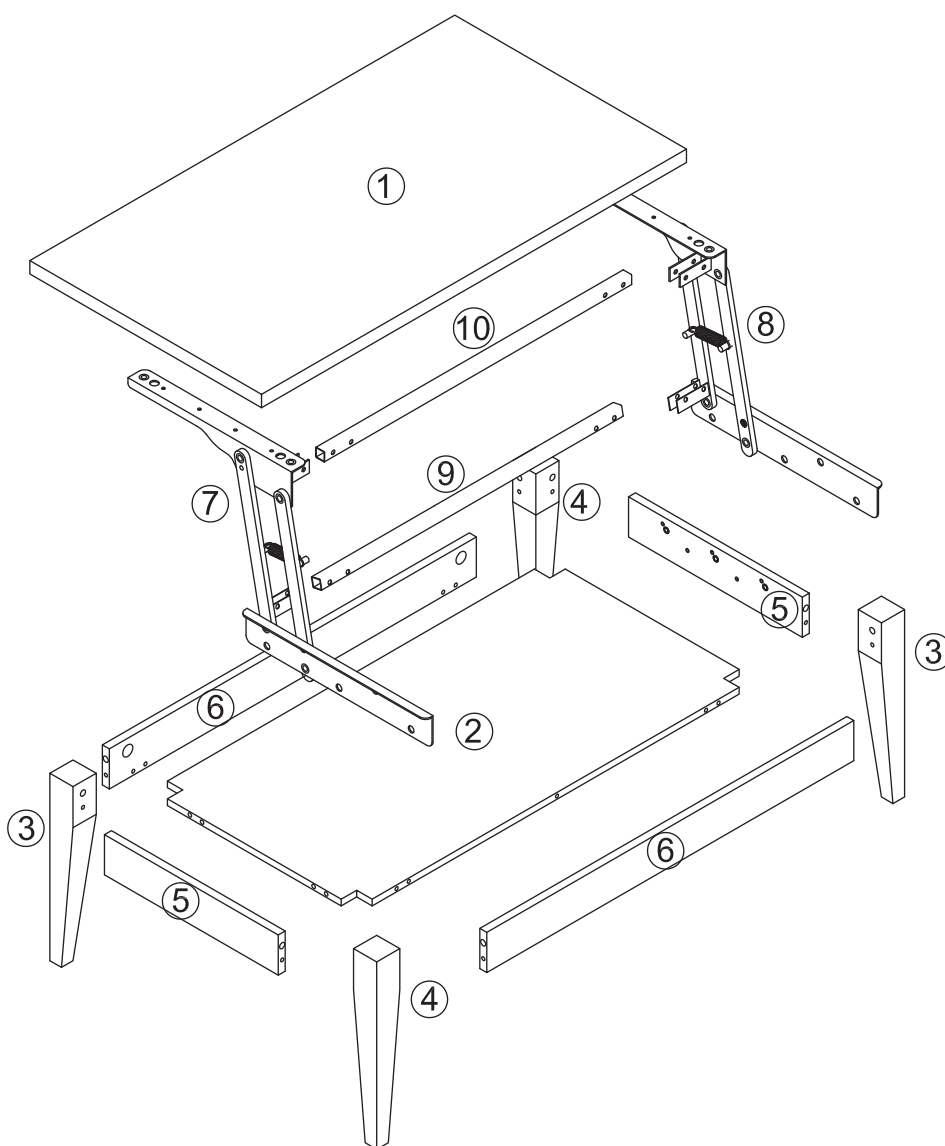
NR-0106BC



BANAK

NAROA

NR-0106BC

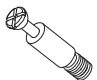







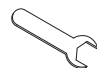
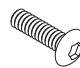
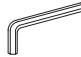



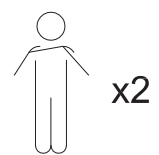
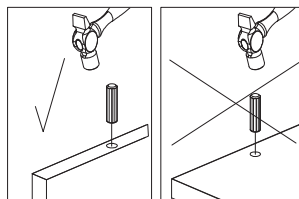
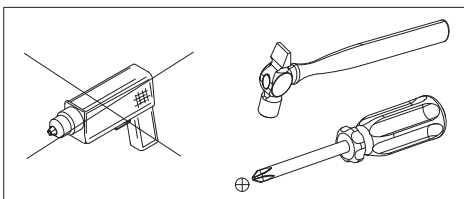
- ① x 1 ud.
- ② x 1 ud.
- ③ x 2 uds.
- ④ x 2 uds.
- ⑤ x 2 uds.
- ⑥ x 2 uds.
- ⑦ x 1 ud.
- ⑧ x 1 ud.
- ⑨ x 1 ud.
- ⑩ x 1 ud.

BANAK

NAROA

NR-0106BC

A x 10  L= 35 mm	B x 10  Ø15 mm	C x 16  Ø8 x 30 mm	D x 18  M4x14mm	E x 8  M8x80mm	F x 8  M8	G x 8  M8	H x 8  Ø38
I x 1  M14	J x 8  M6x25mm	K x 1  M4	L x 10  Ø20mm				






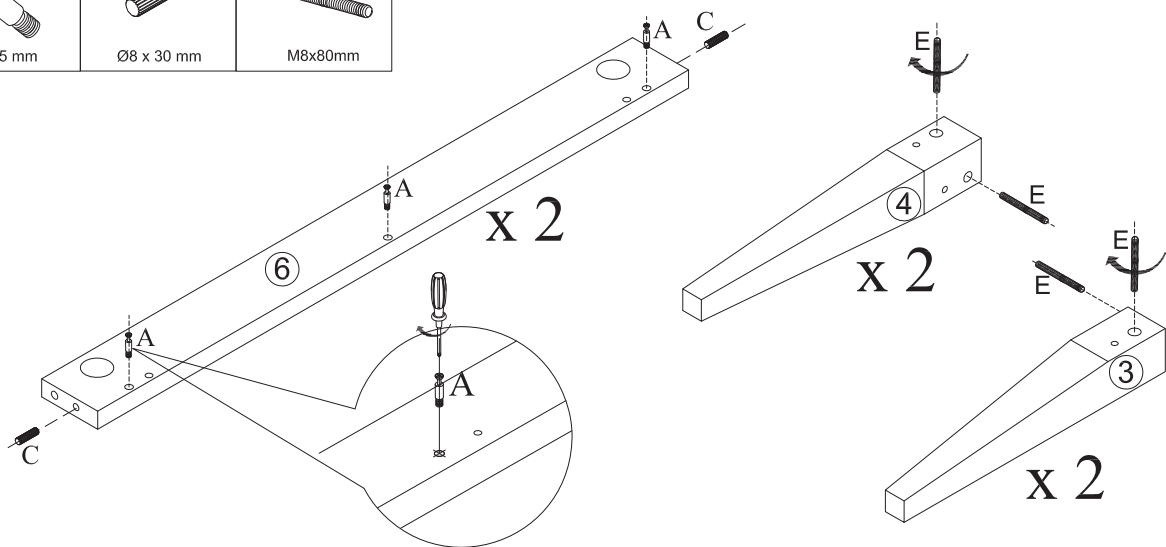
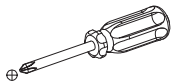
BANAK

NAROA

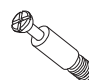

NR-0106BC

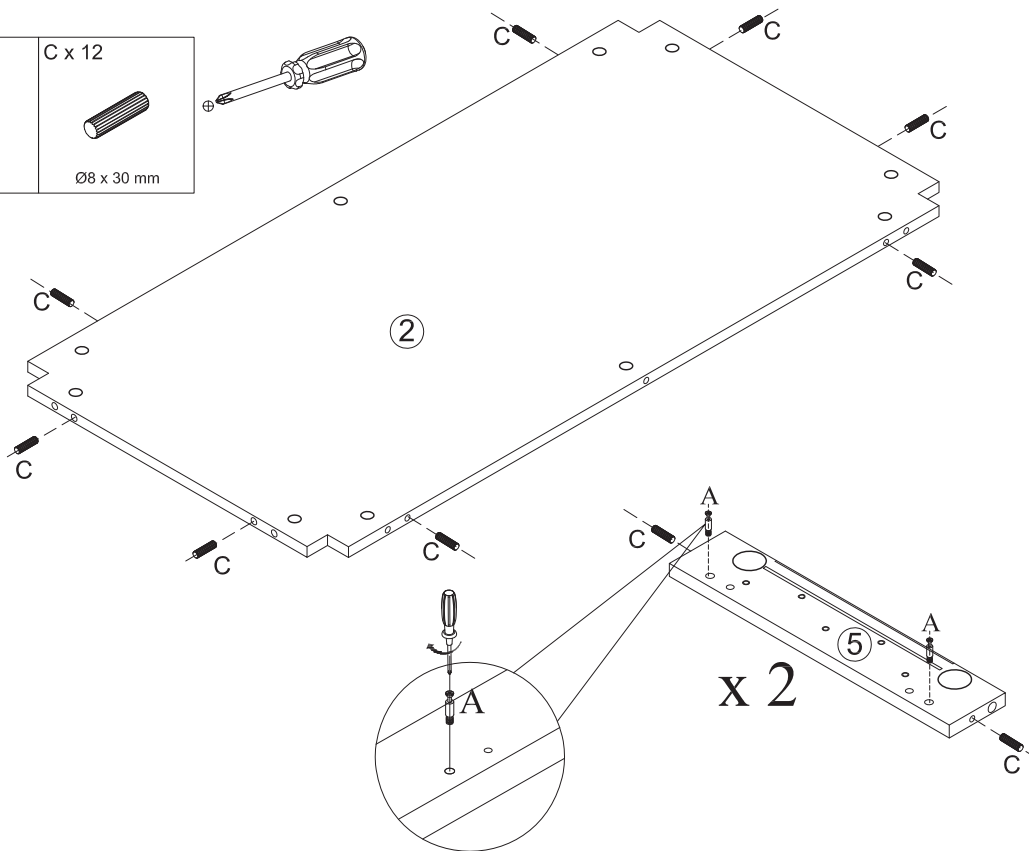
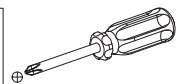
1

A x 6  L= 35 mm	C x 4  Ø8 x 30 mm	E x 8  M8x80mm
--	--	---



2

A x 4  L= 35 mm	C x 12  Ø8 x 30 mm
--	---



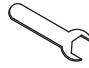


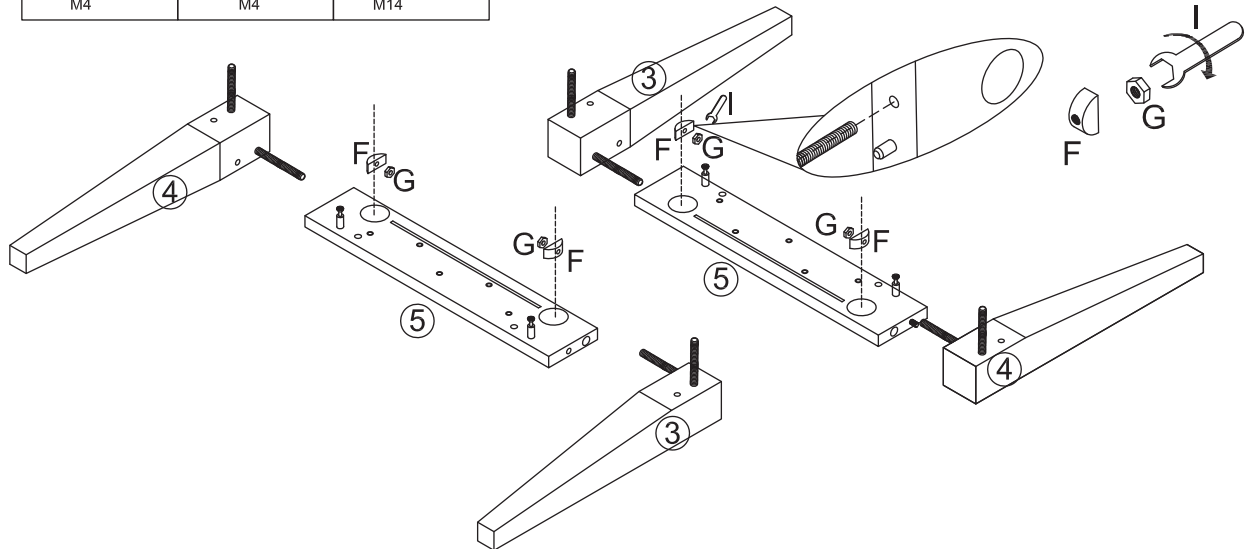
BANAK

NAROA



NR-0106BC

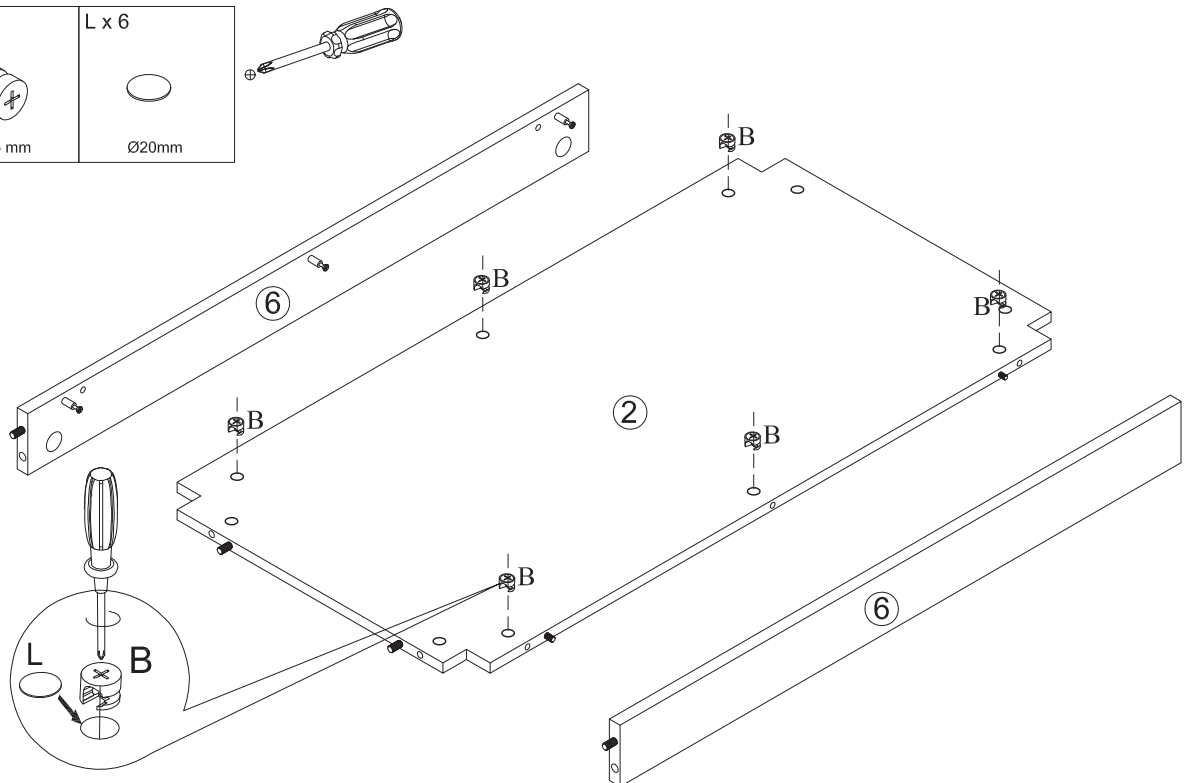
3

F x 4  M4	G x 4  M4	I x 1  M14
--	--	---



4

B x 6  Ø15 mm	L x 6  Ø20mm
--	---








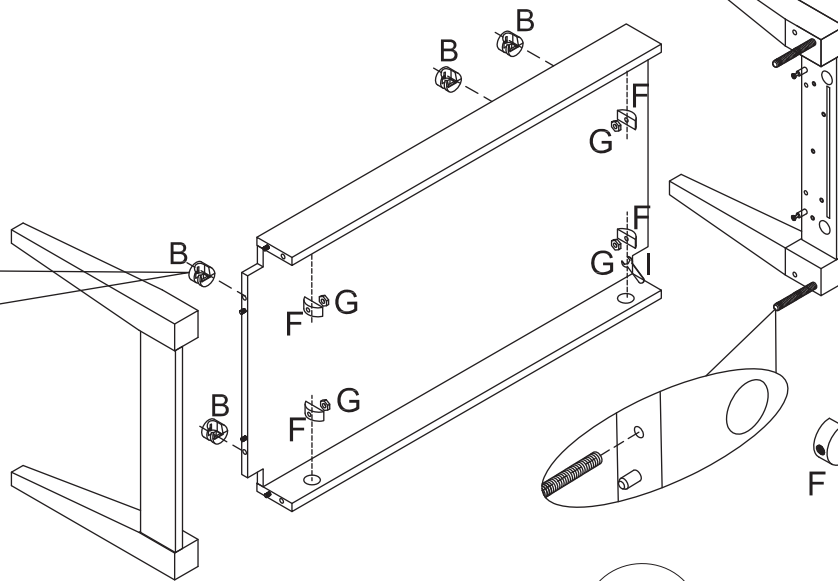
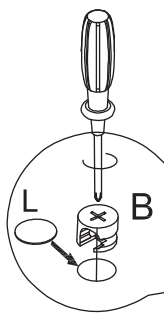
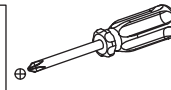
BANAK

NAROA


NR-0106BC

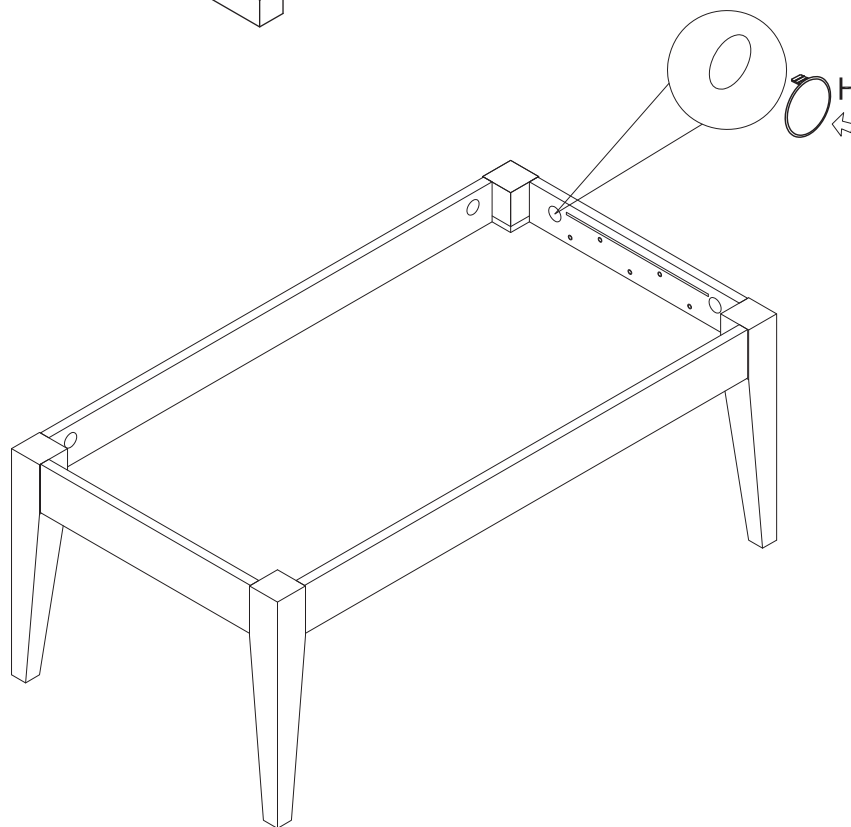
5

B x 4	F x 4	G x 4	I x 1	L x 4
				
Ø8 mm	M4	M4	M14	Ø20mm



6

H x 8

Ø38

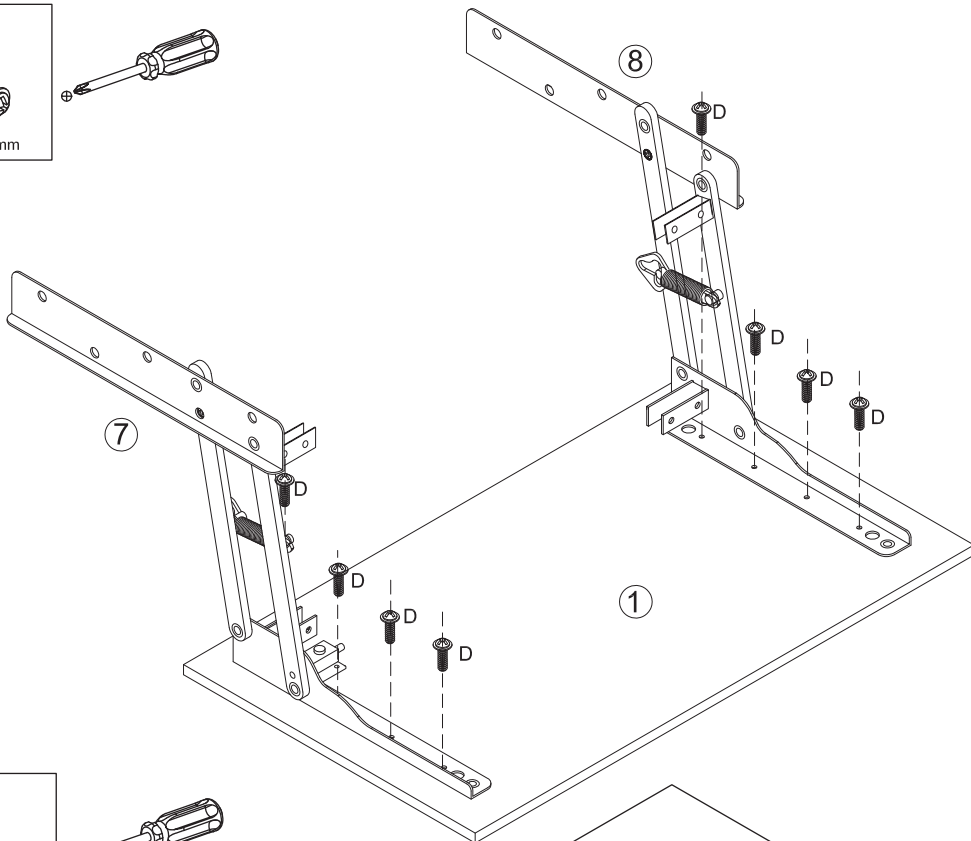
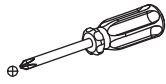
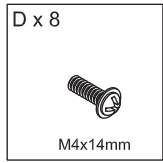


BANAK

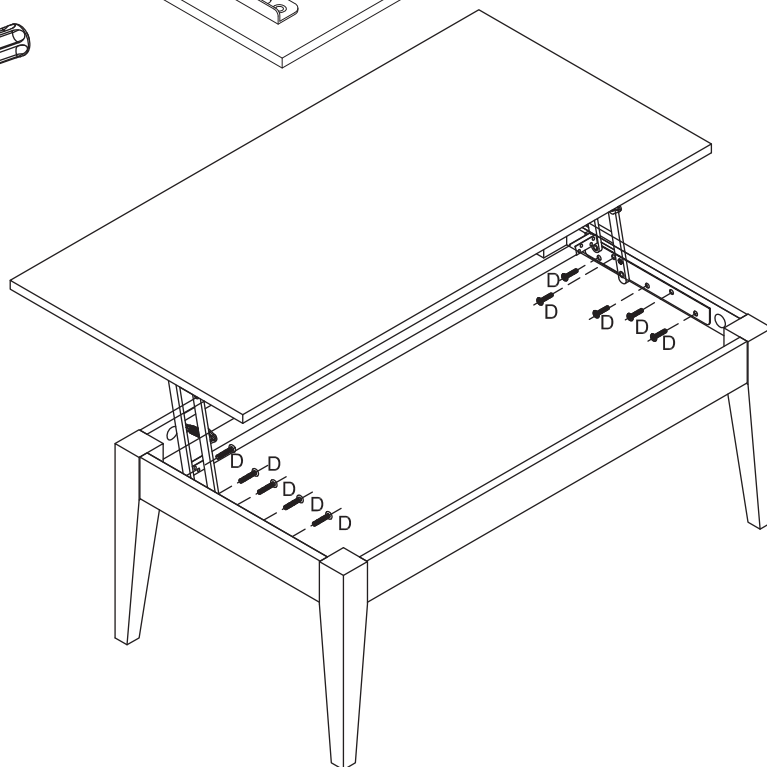
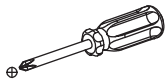
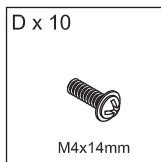
NAROA

NR-0106BC

7



8

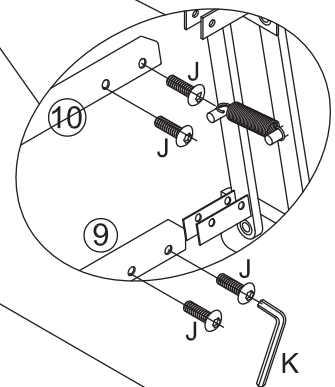
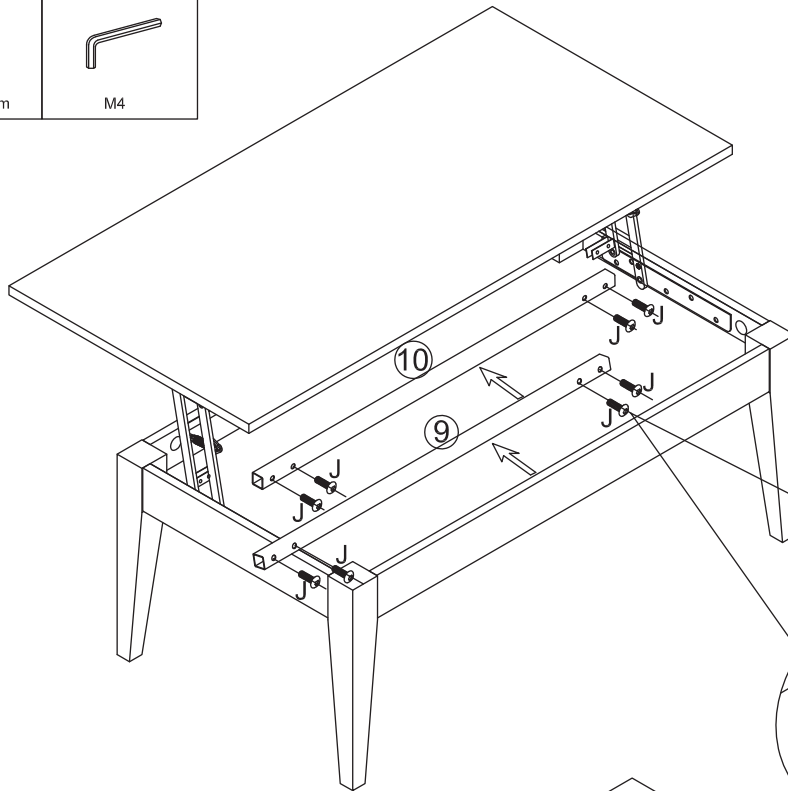
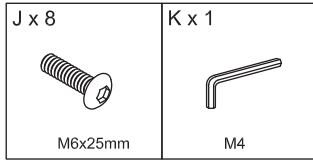


BANAK

NAROA

NR-0106BC

9



10

