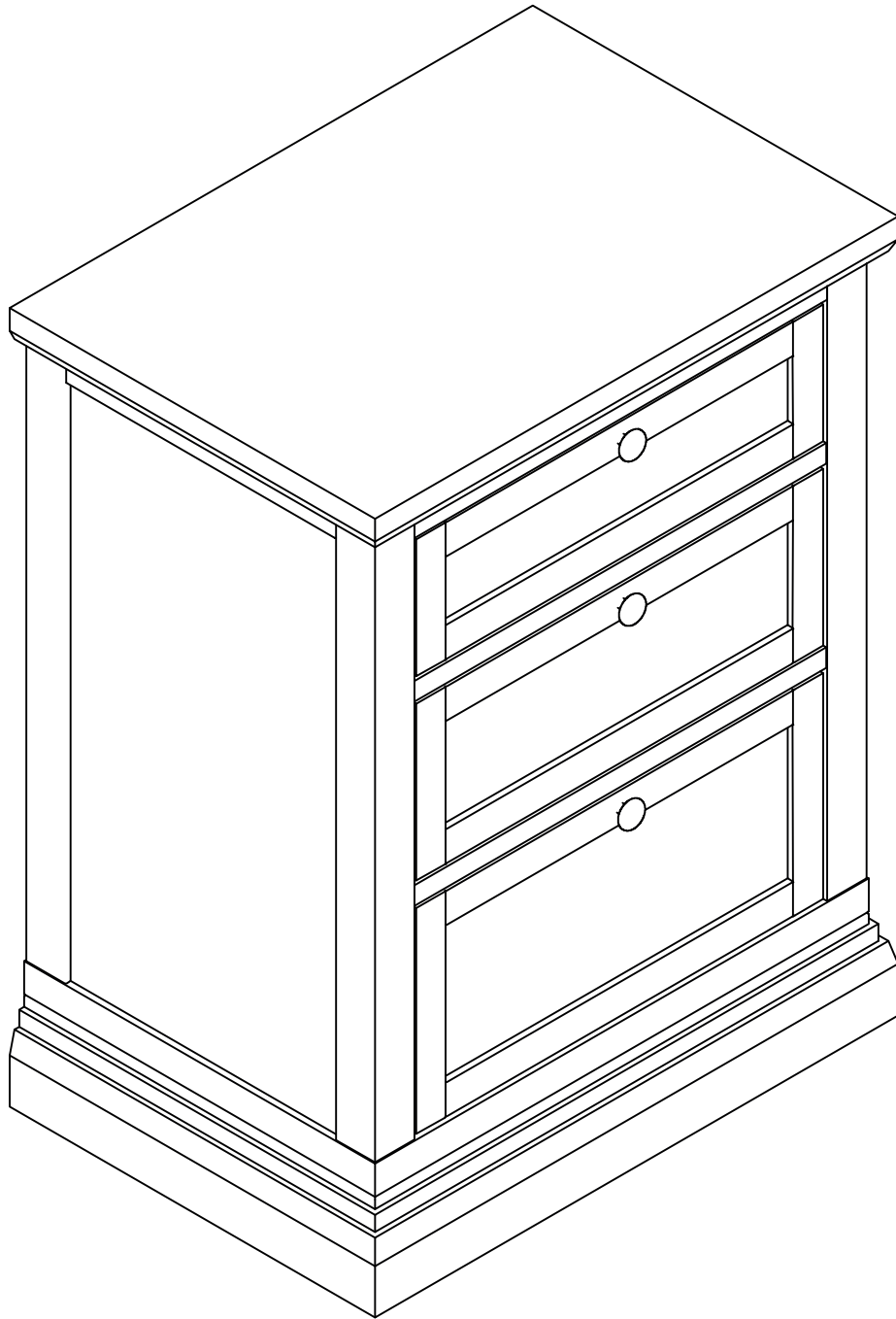


BANAK

NANTES

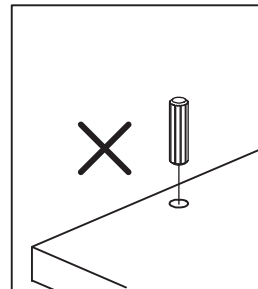
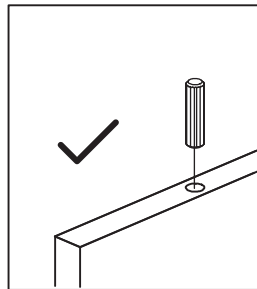
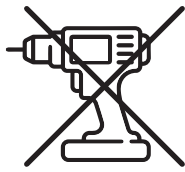
NT-0001BC



BANAK

NANTES

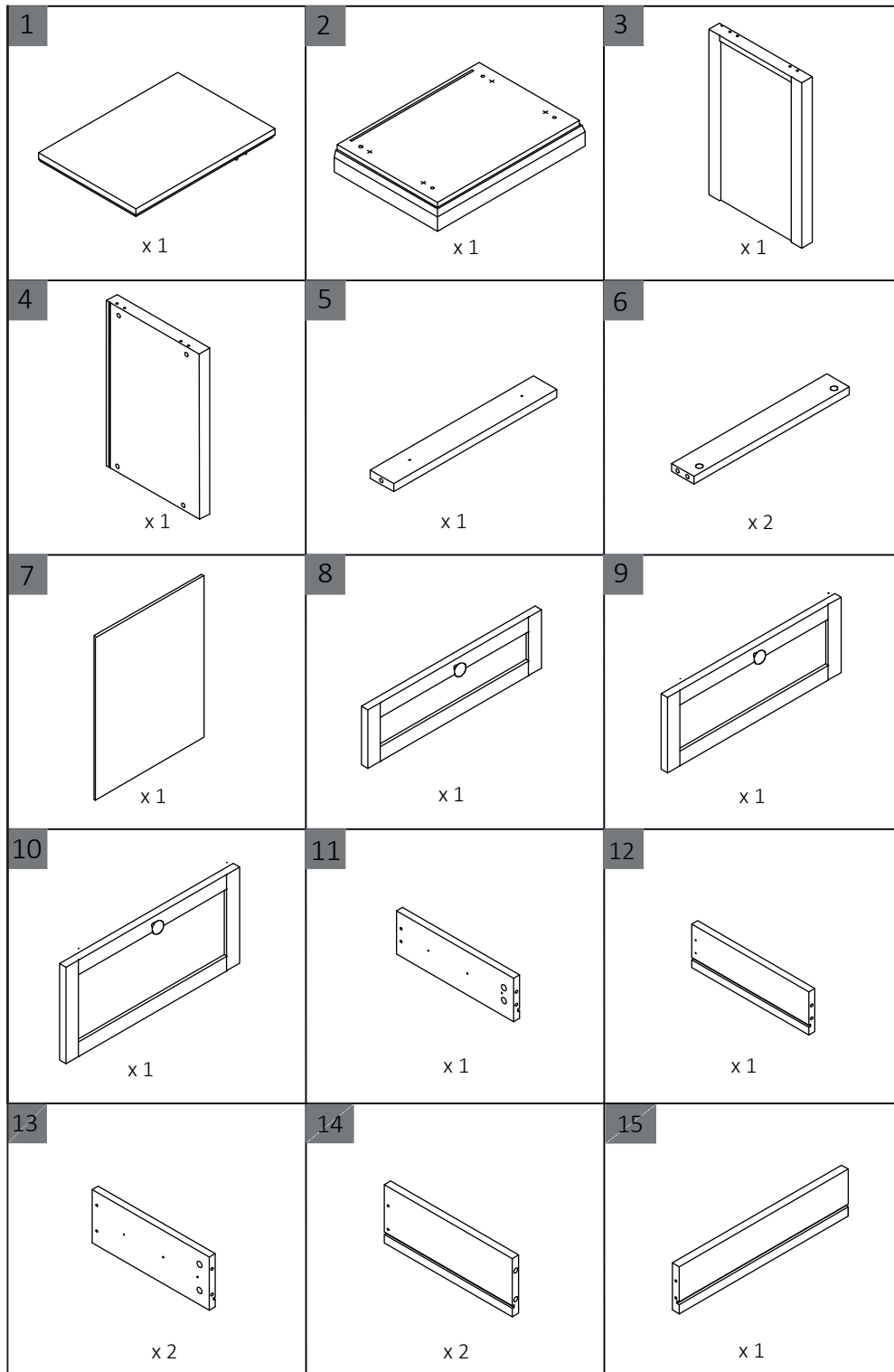
NT-0001BC



BANAK

NANTES

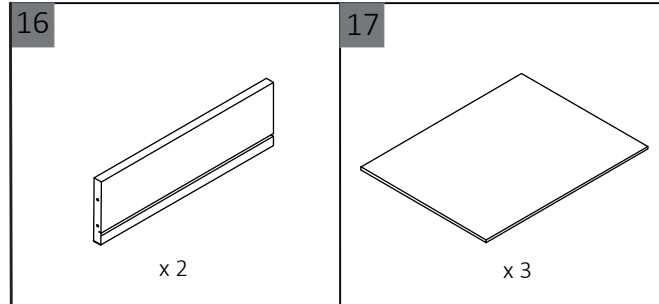
NT-0001BC

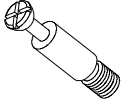
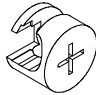
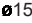
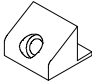



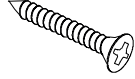
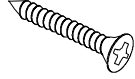



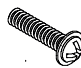










BANAK

NANTES

NT-0001BC

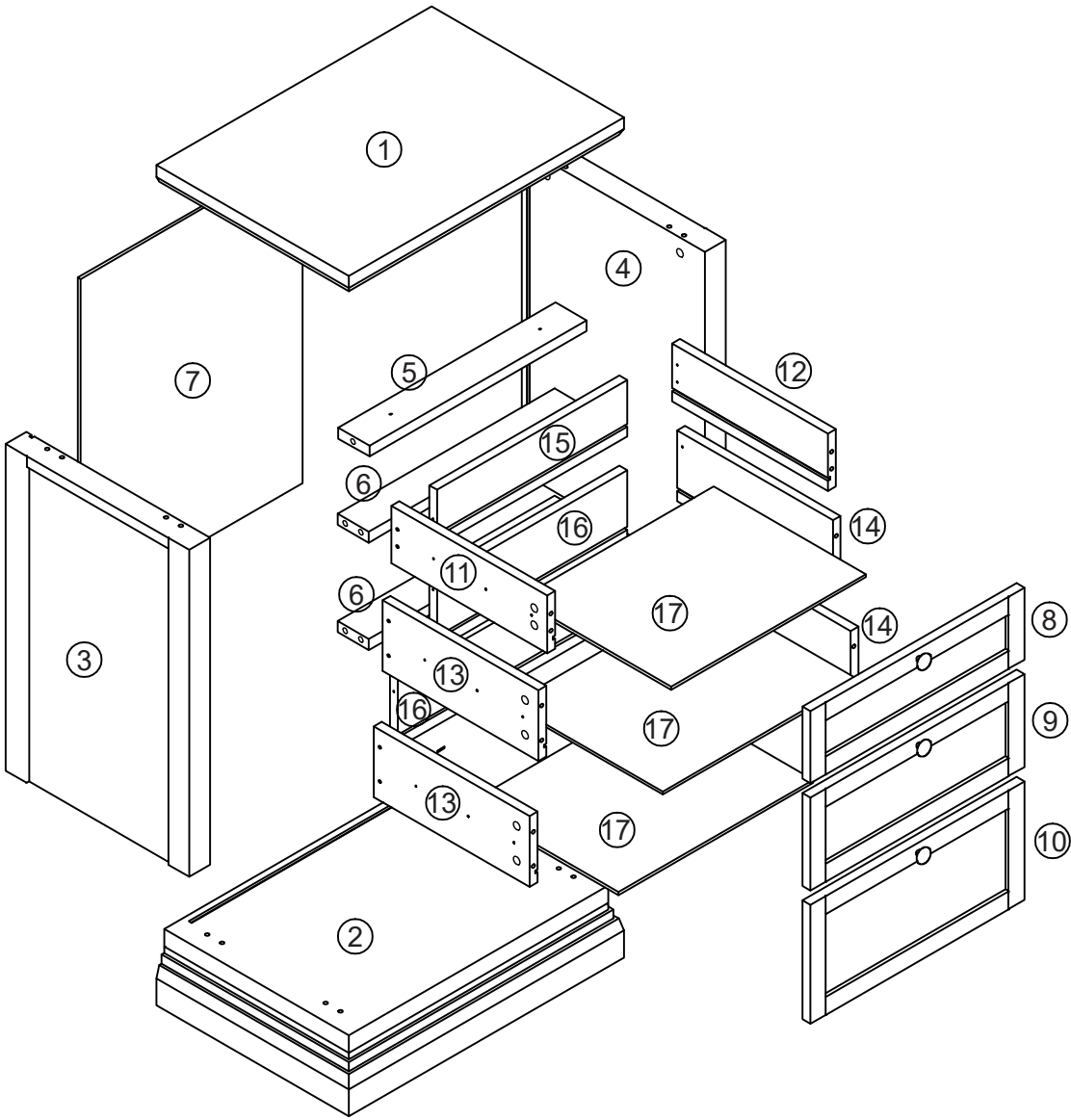


 L=35	 Ax24	 ø15	 Bx24	 Cx4	 ø3x18	 Dx4	 ø3.5x12	 Ex36	 ø3.5x30	 Fx14	 ø8x30	 Gx14
 M4x25	 Hx3	 lx3	 ø20x5	 Jx14	 L=300	 Kx6	 L=300	 Lx6				

BANAK

NANTES

NT-0001BC



BANAK

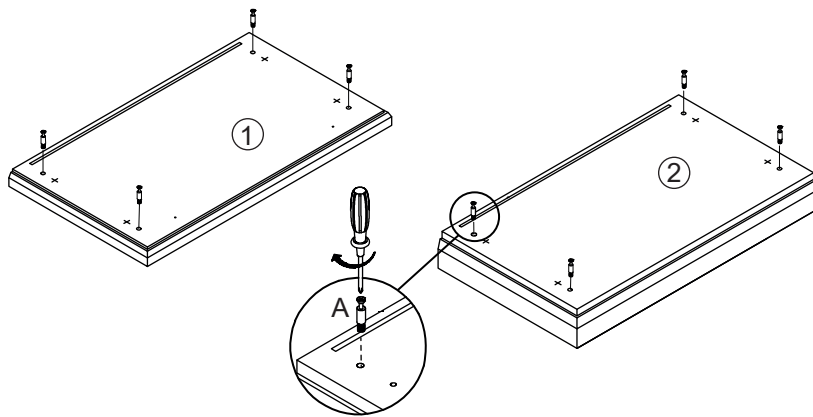
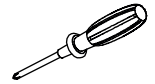
NANTES

NT-0001BC

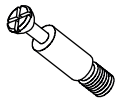
1



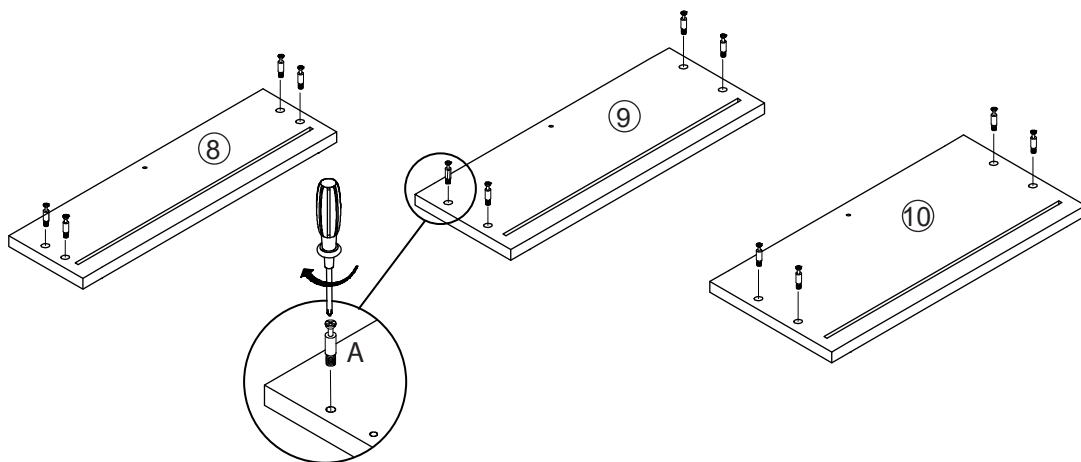
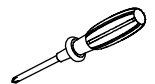
Ax8



2



Ax12

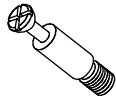


BANAK

NANTES

NT-0001BC

3



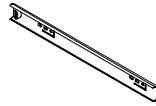
Ax4



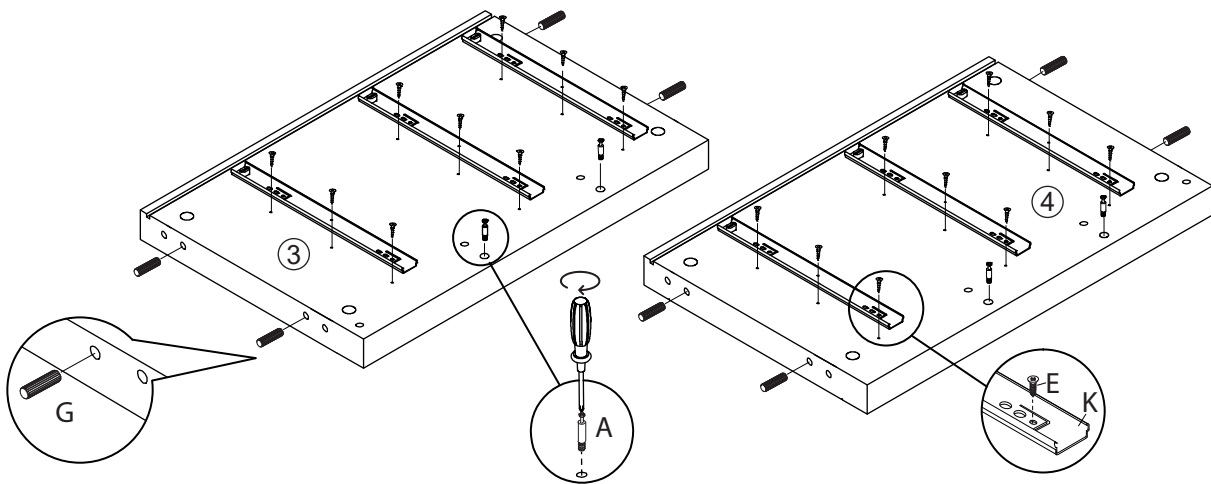
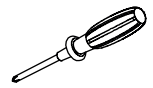
Ex18



Gx8



Kx6



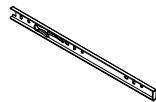
4



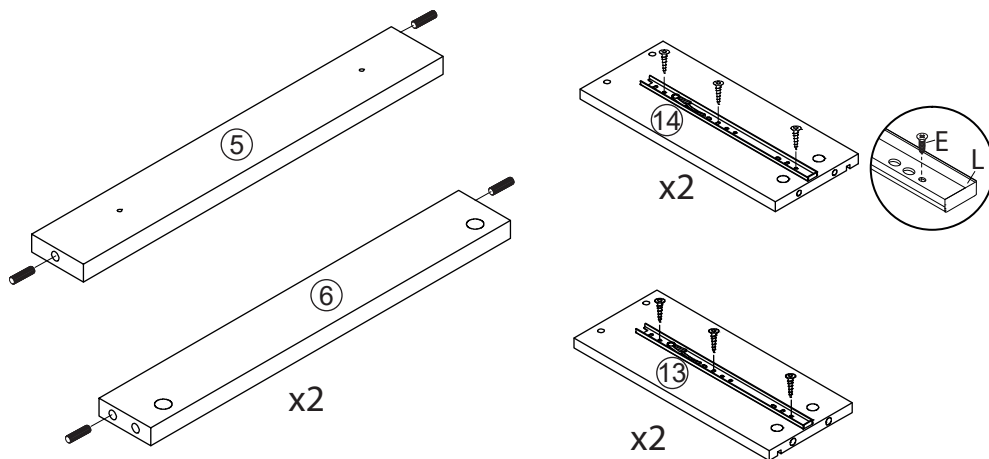
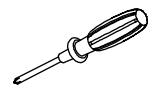
Ex12



Gx6



Lx4



BANAK

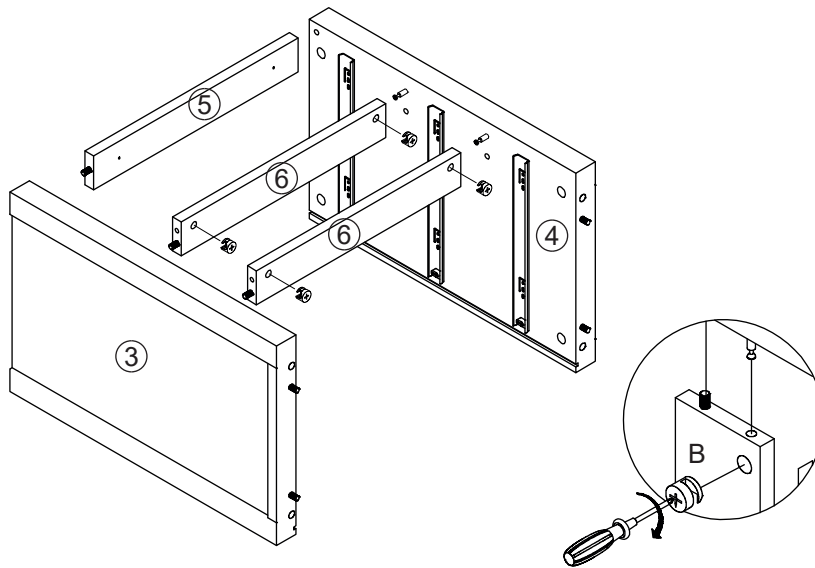
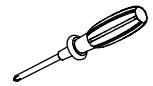
NANTES

NT-0001BC

5



Bx4



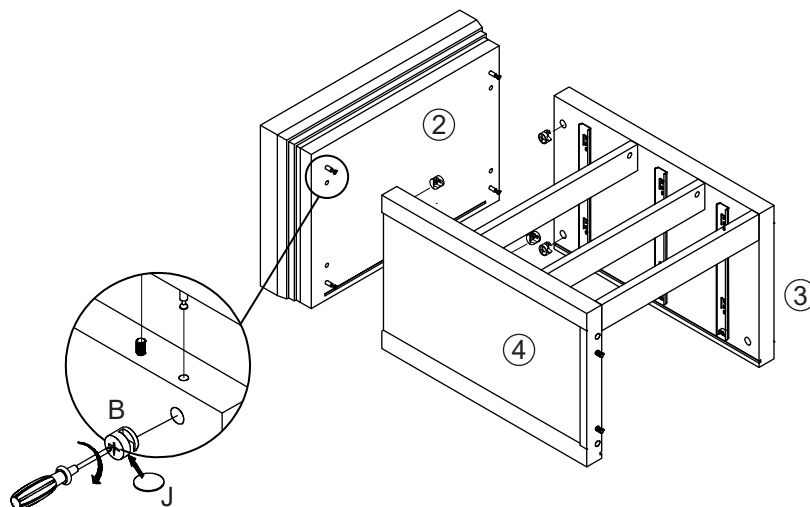
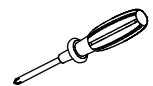
6



Bx4



Jx4



BANAK

NANTES

NT-0001BC

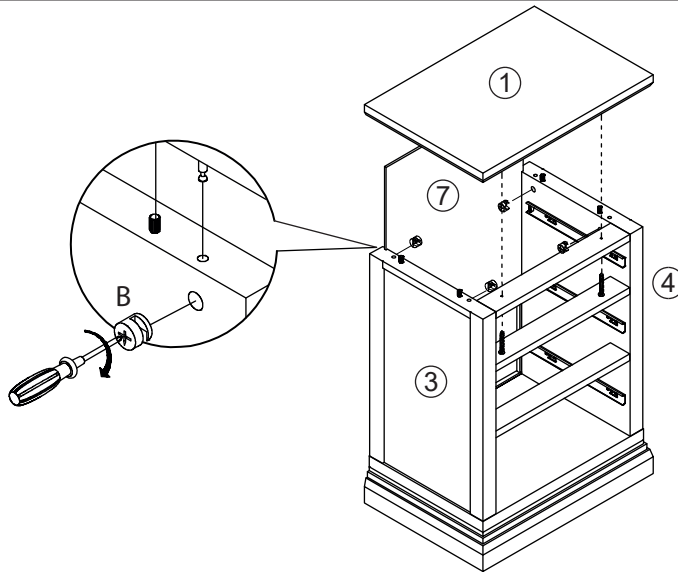
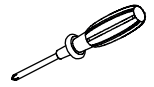
7



Bx4



Fx2



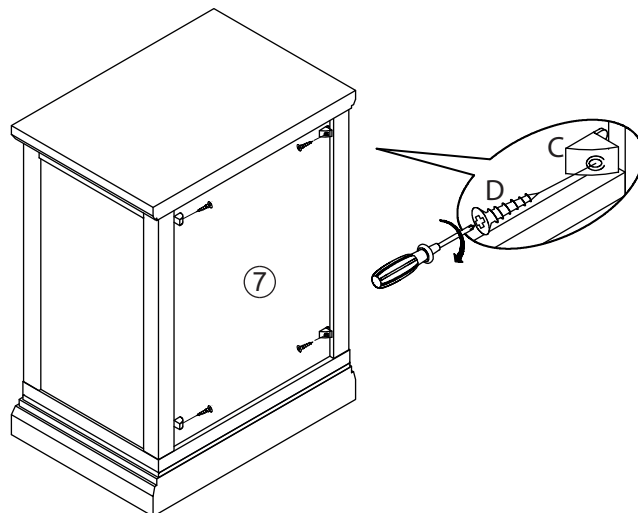
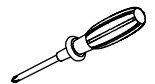
8



Cx4



Dx4

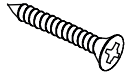


BANAK

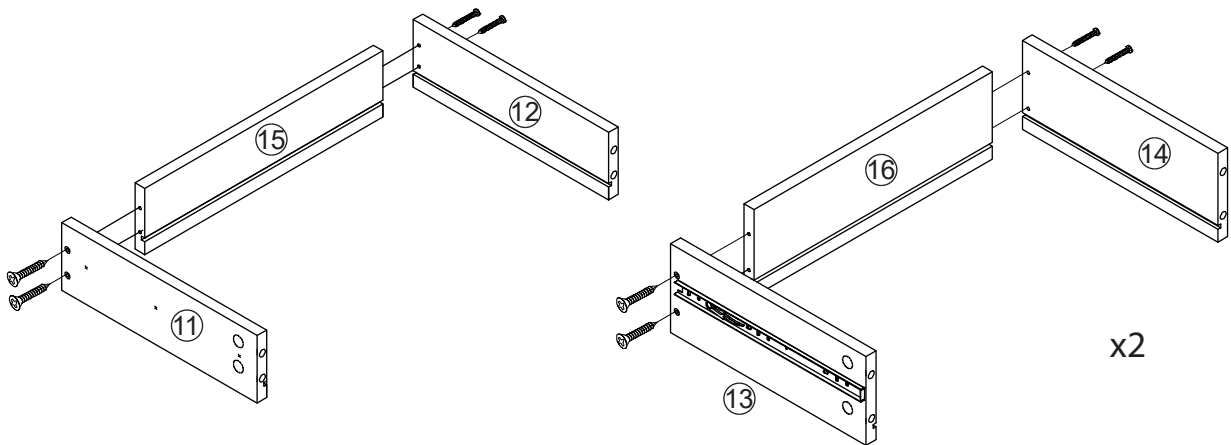
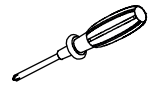
NANTES

NT-0001BC

9



Fx2



10



Bx4



Ex6



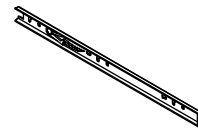
Jx4



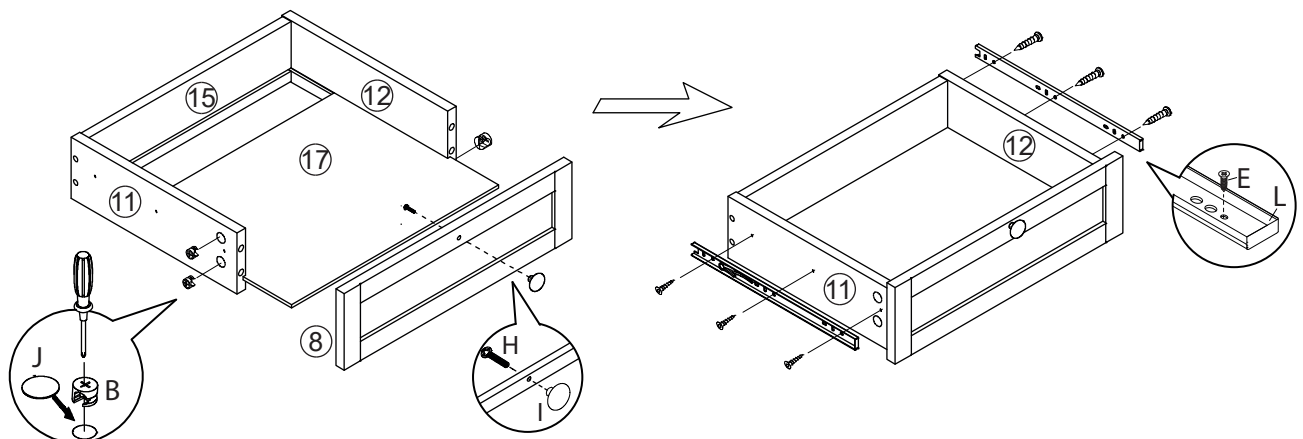
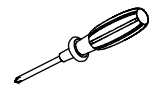
Hx1



Ix1



Lx2



BANAK

NANTES

NT-0001BC

11



Bx8



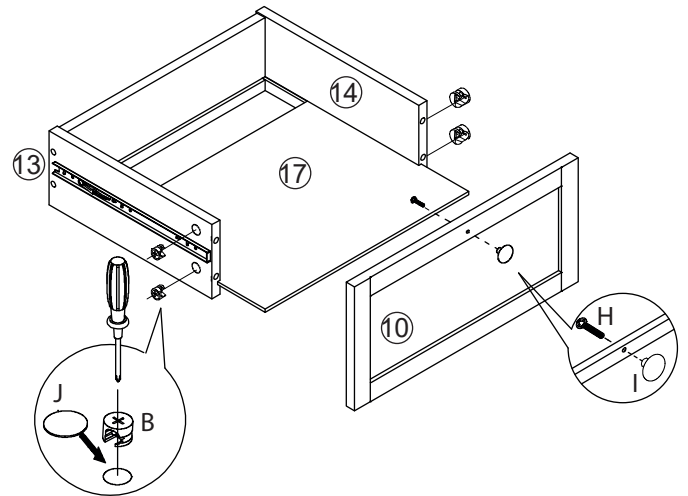
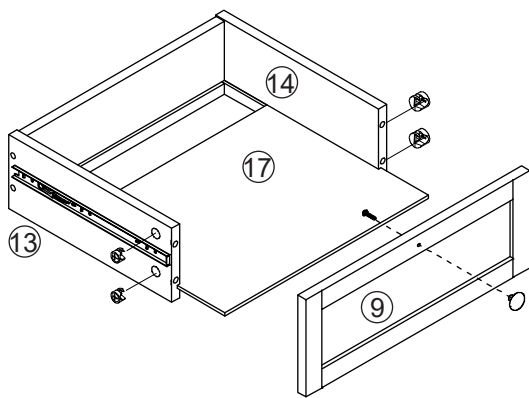
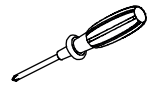
Jx8



Hx2



Ix2



12

