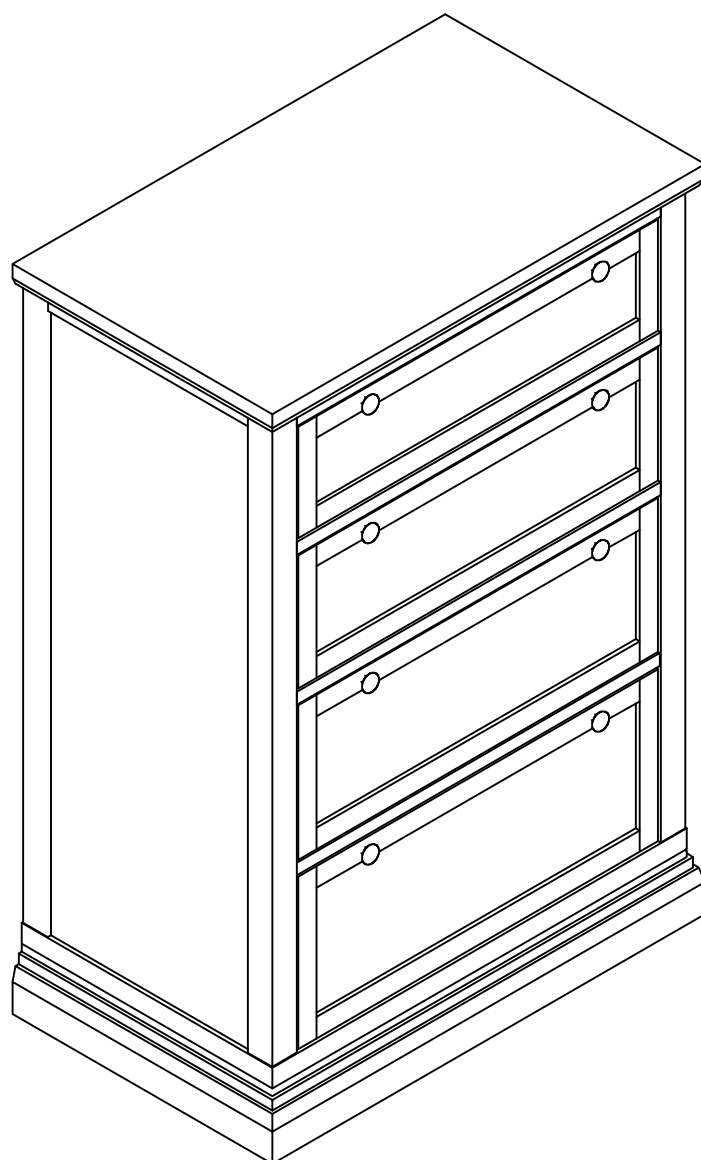


# BANAK

# NANTES

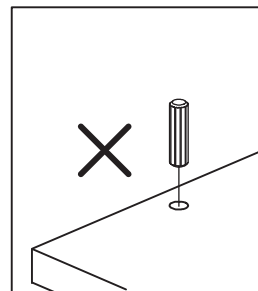
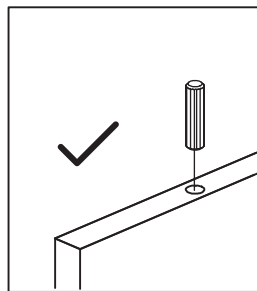
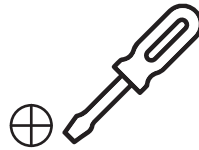
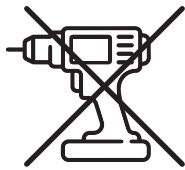
NT-0003BC



# BANAK

# NANTES

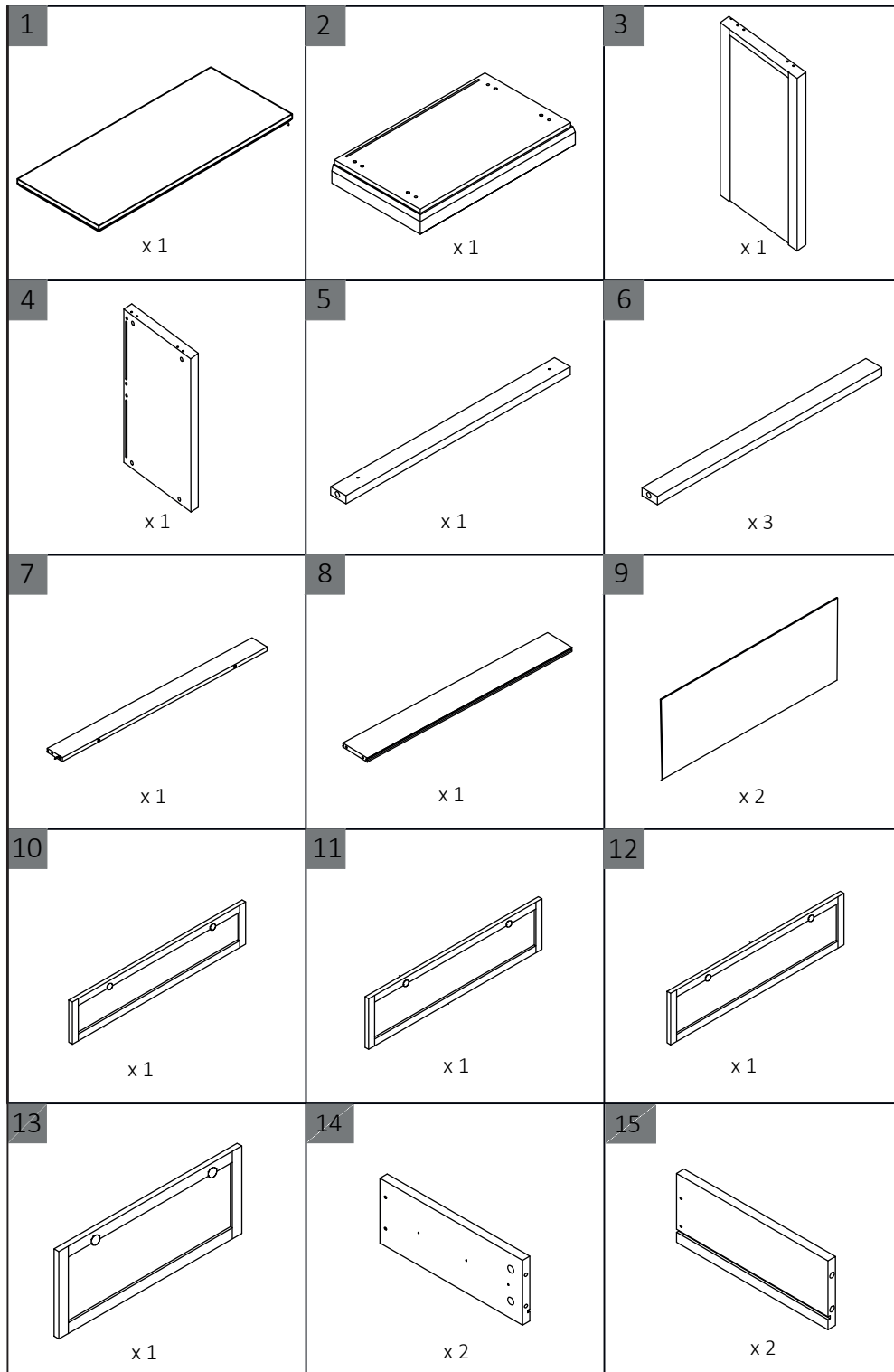
NT-0003BC



# BANAK

# NANTES

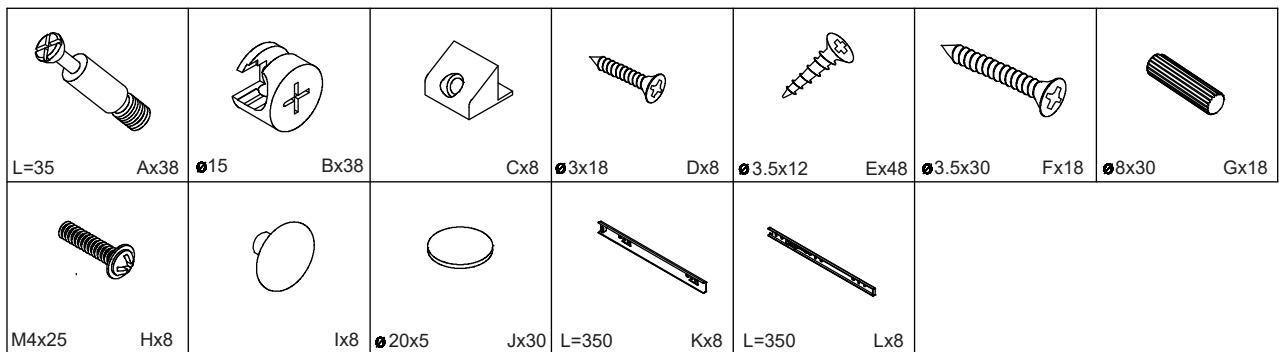
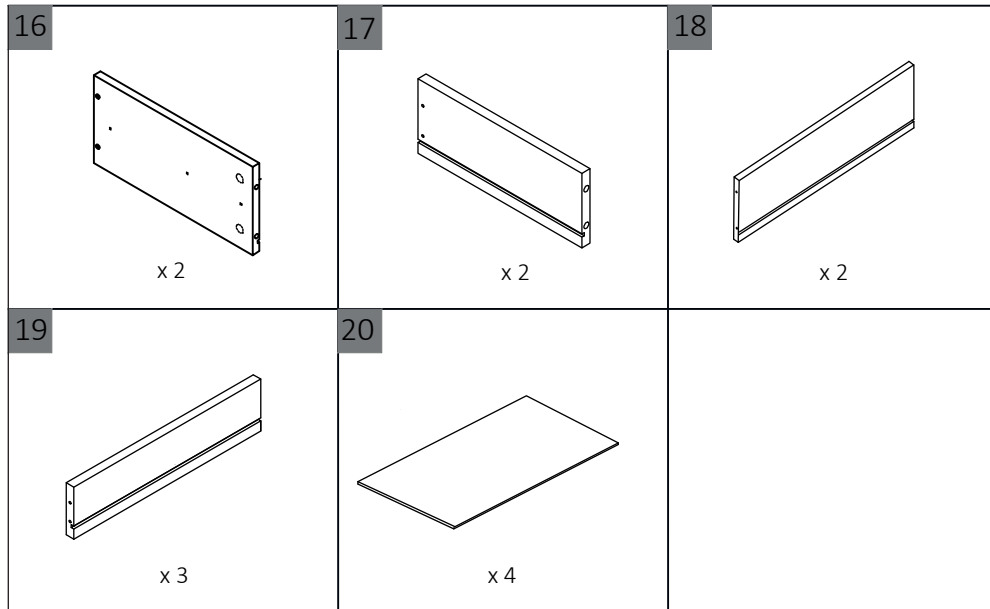
NT-0003BC



# BANAK

# NANTES

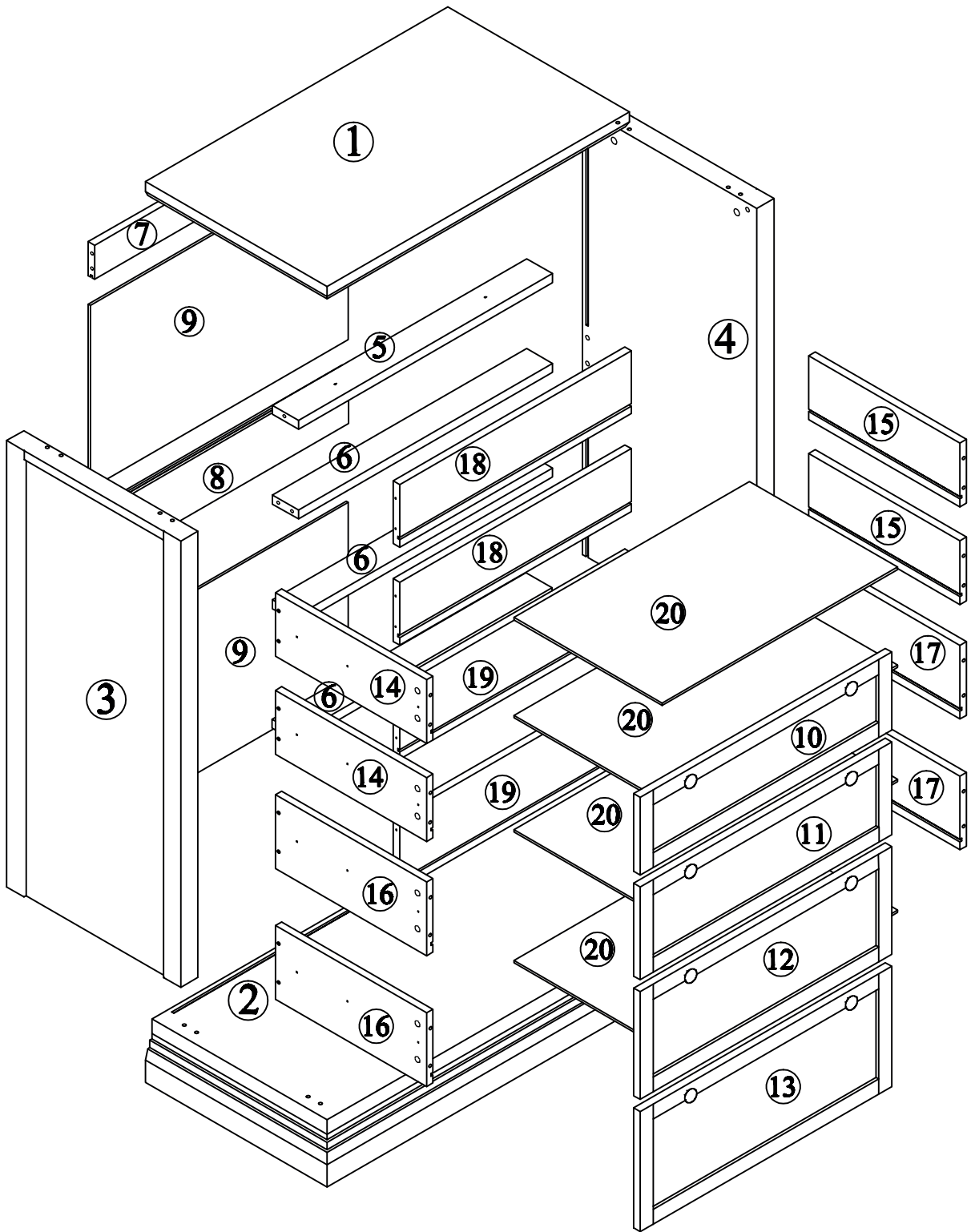
NT-0003BC



# BANAK

# NANTES

NT-0003BC

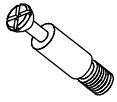


# BANAK

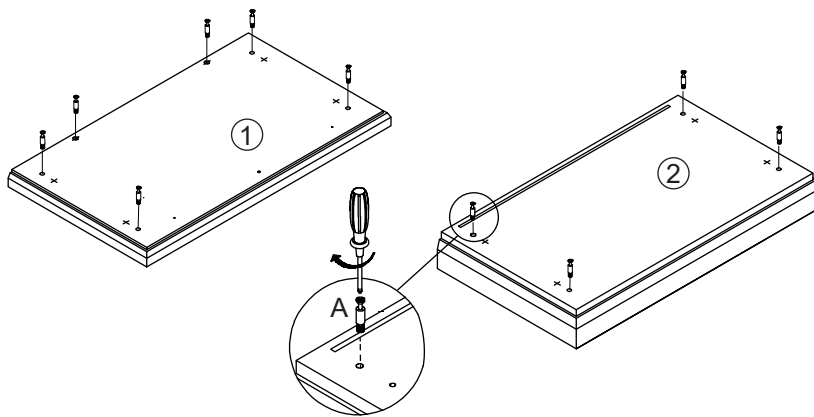
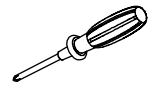
# NANTES

NT-0003BC

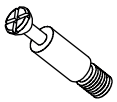
1



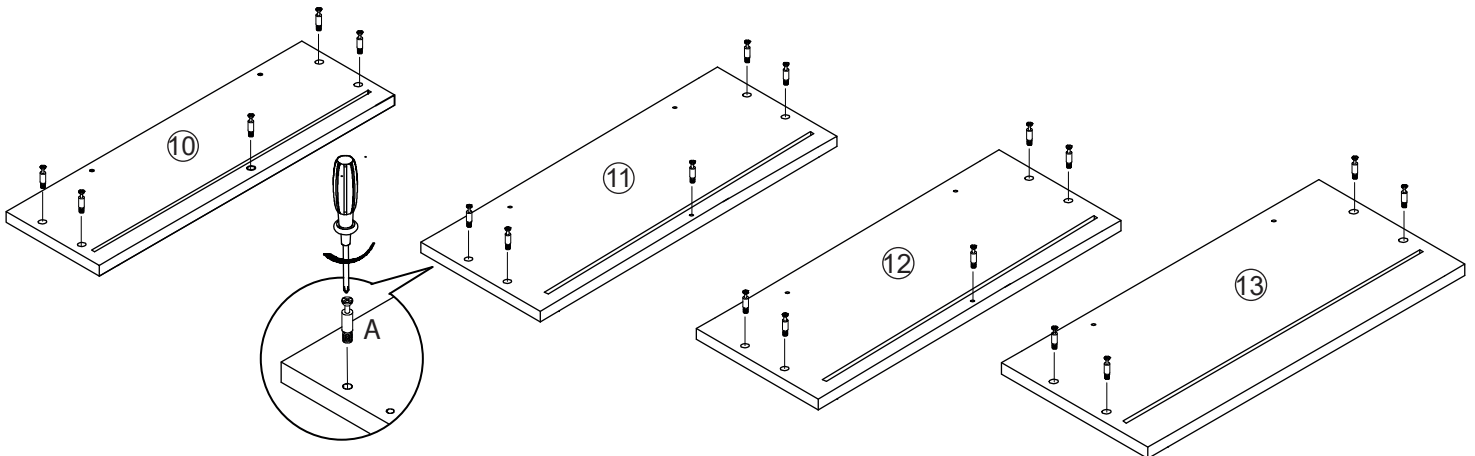
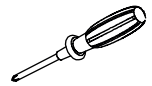
Ax10



2



Ax16

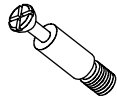


# BANAK

# NANTES

NT-0003BC

3



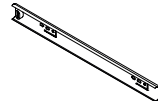
Ax12



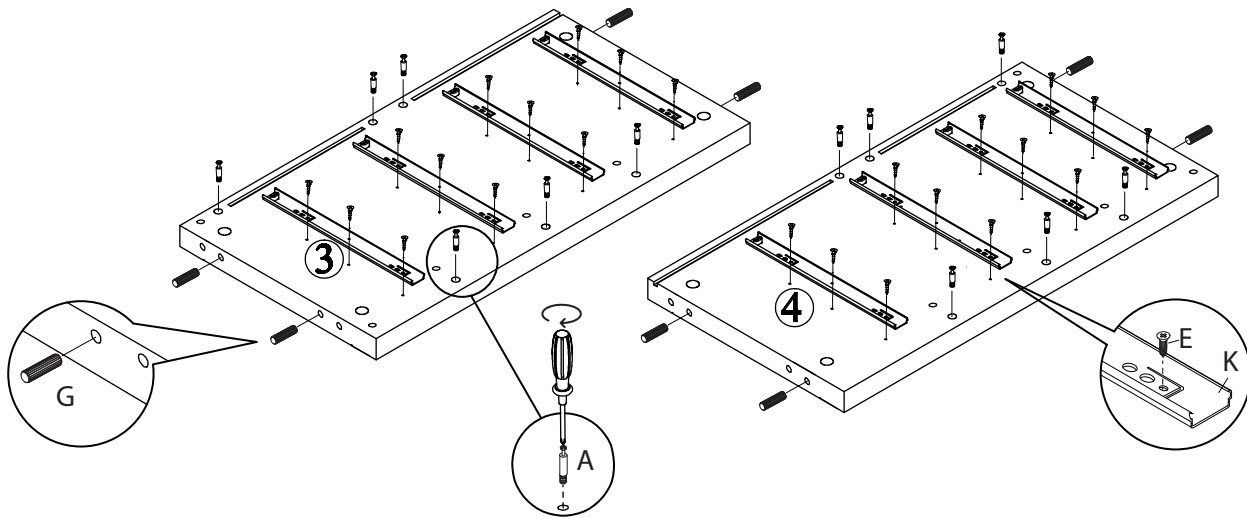
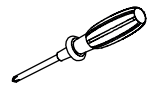
Ex24



Gx8



Kx8



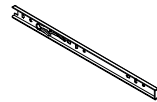
4



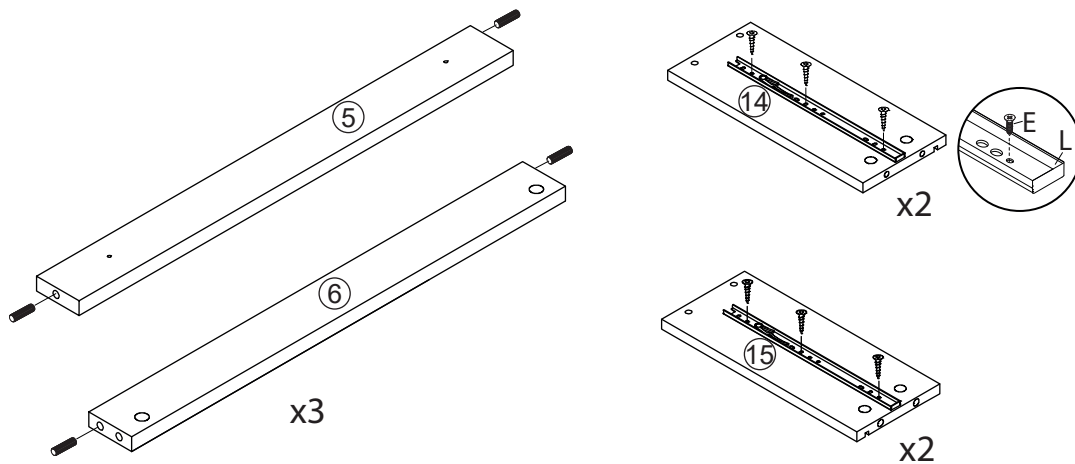
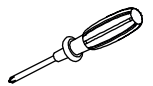
Ex6



Gx6



Lx2



# BANAK

# NANTES

NT-0003BC

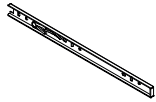
5



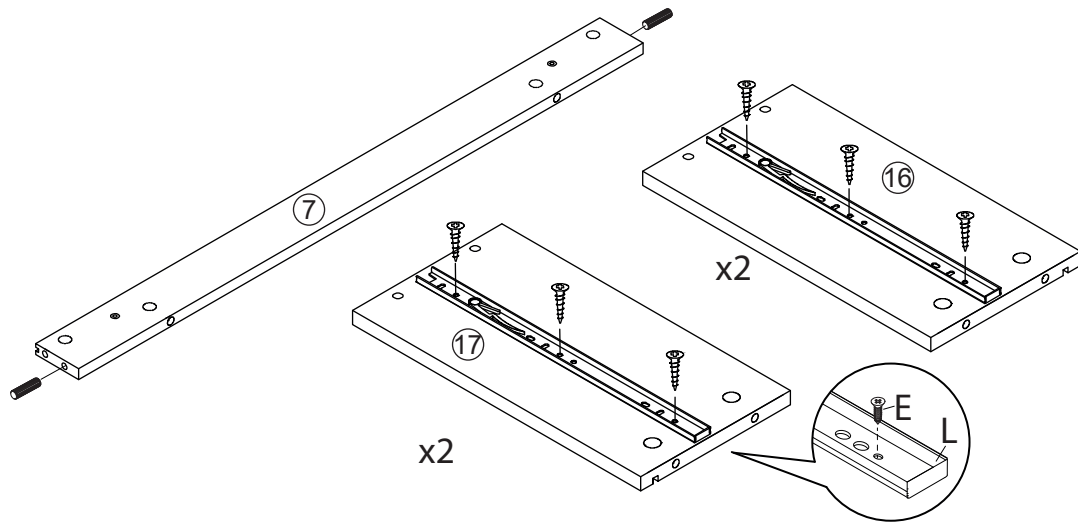
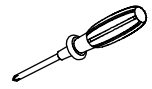
Ex12



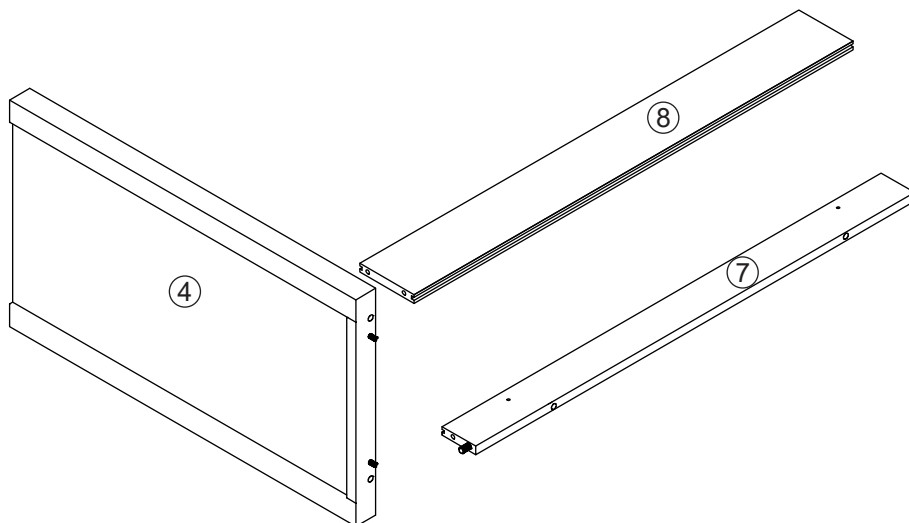
Gx2



Lx4



6





# BANAK

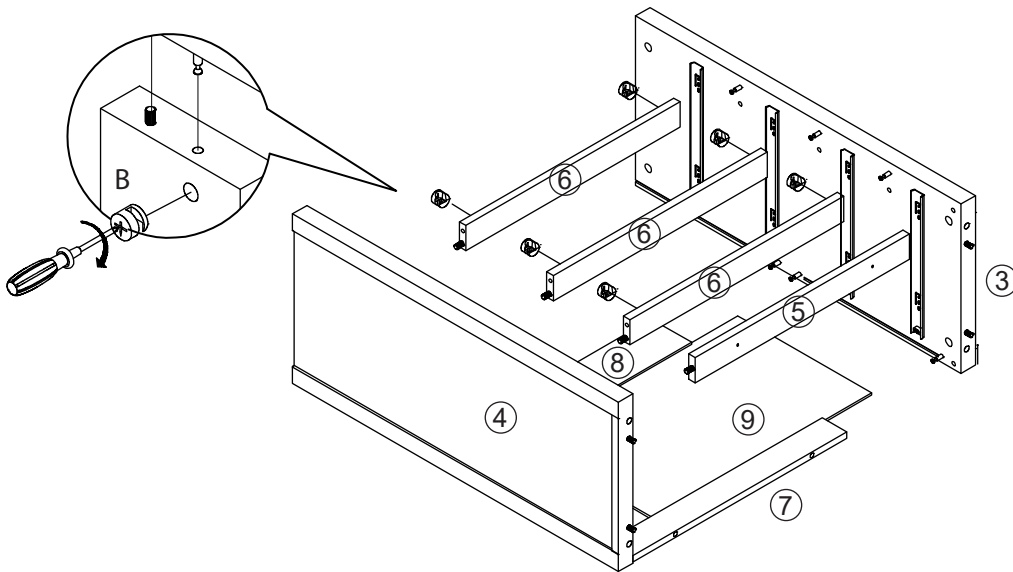
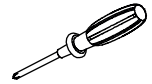
# NANTES

NT-0003BC

7



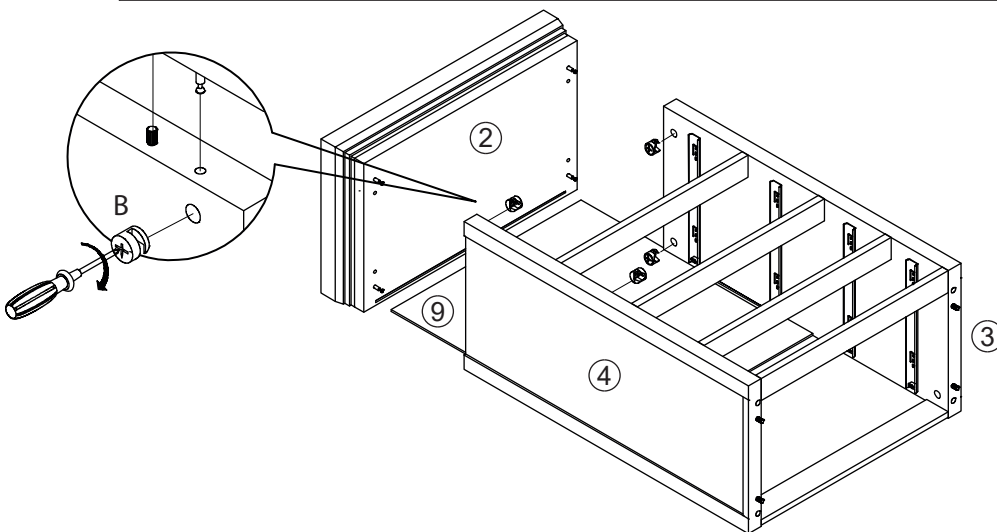
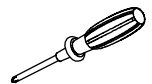
Bx6



8



Bx4



# BANAK

# NANTES

NT-0003BC

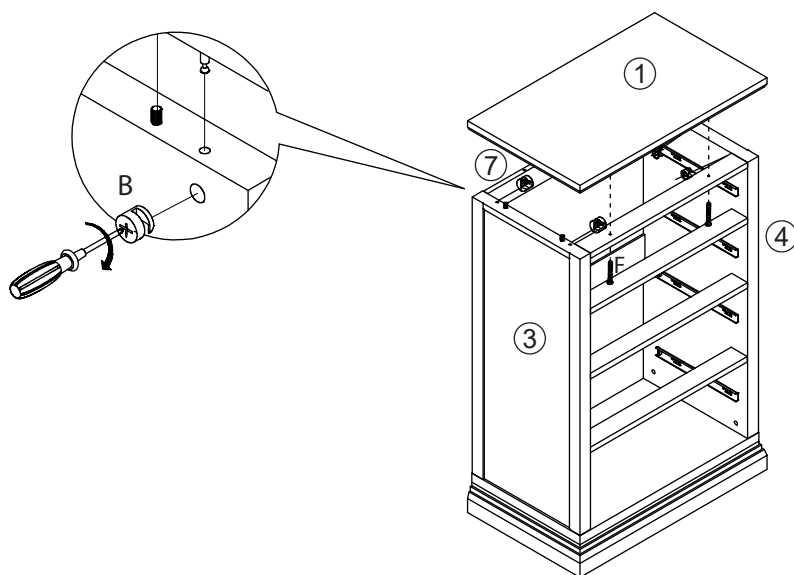
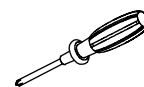
9



Bx4



Fx2



10



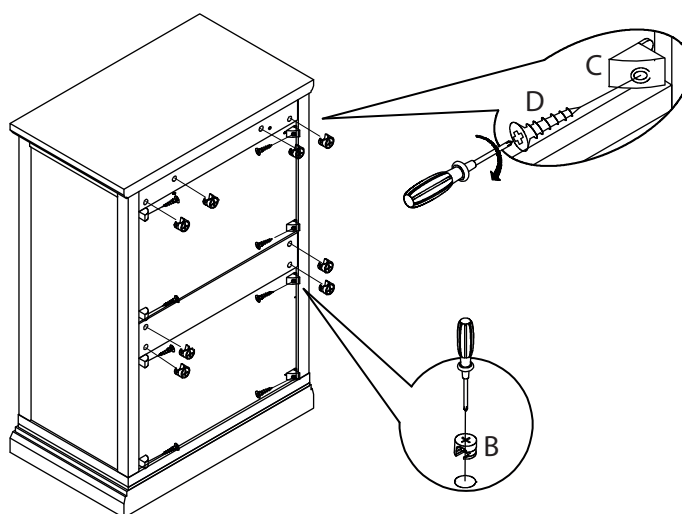
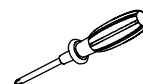
Cx8



Dx8



Bx8

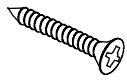


# BANAK

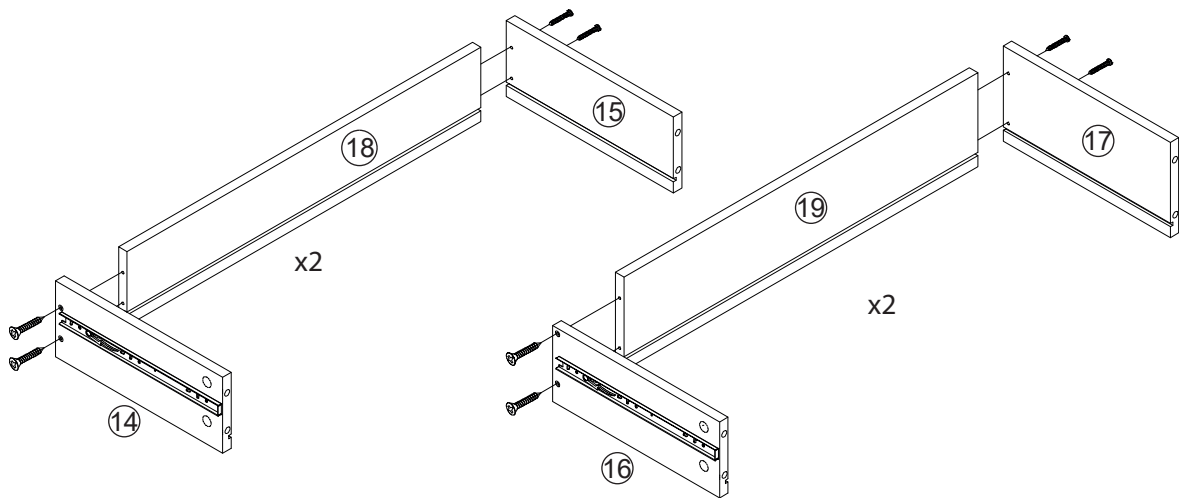
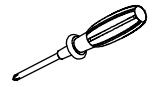
# NANTES

NT-0003BC

## 11



Fx6



## 12



Bx8



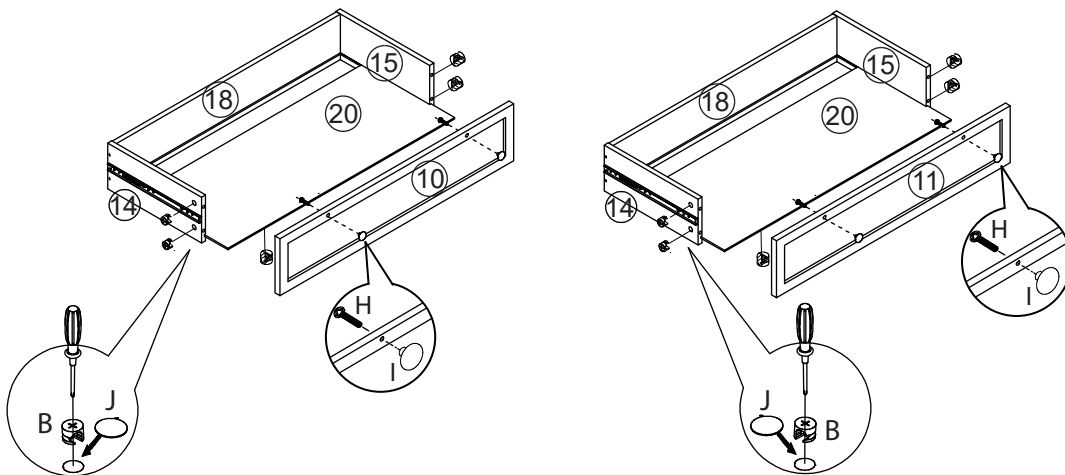
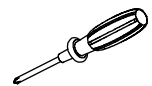
Jx8



Hx4



Ix4



# BANAK

# NANTES

NT-0003BC

# 11



Bx8



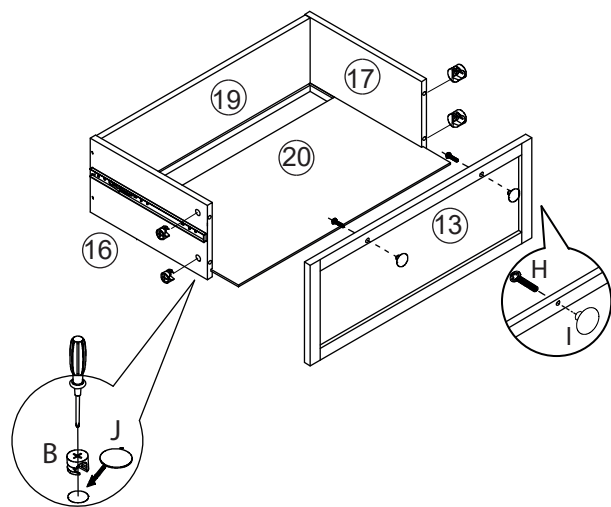
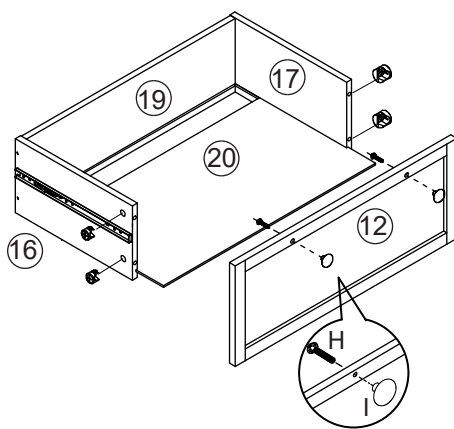
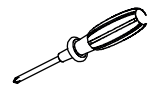
Jx8



Hx4



Ix4



# BANAK

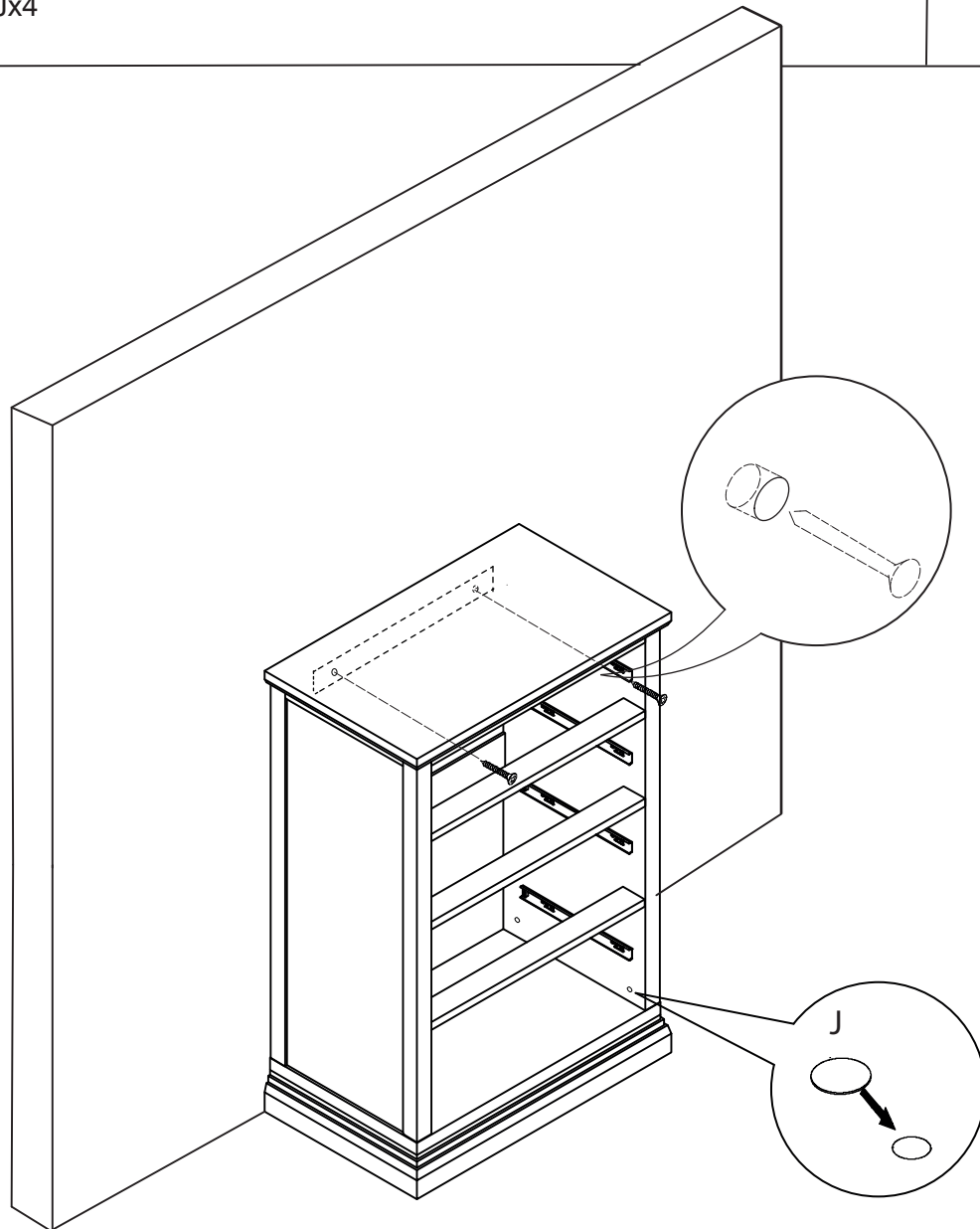
# NANTES

NT-0003BC

# 12



Jx4



# BANAK

# NANTES

NT-0003BC

# 13

