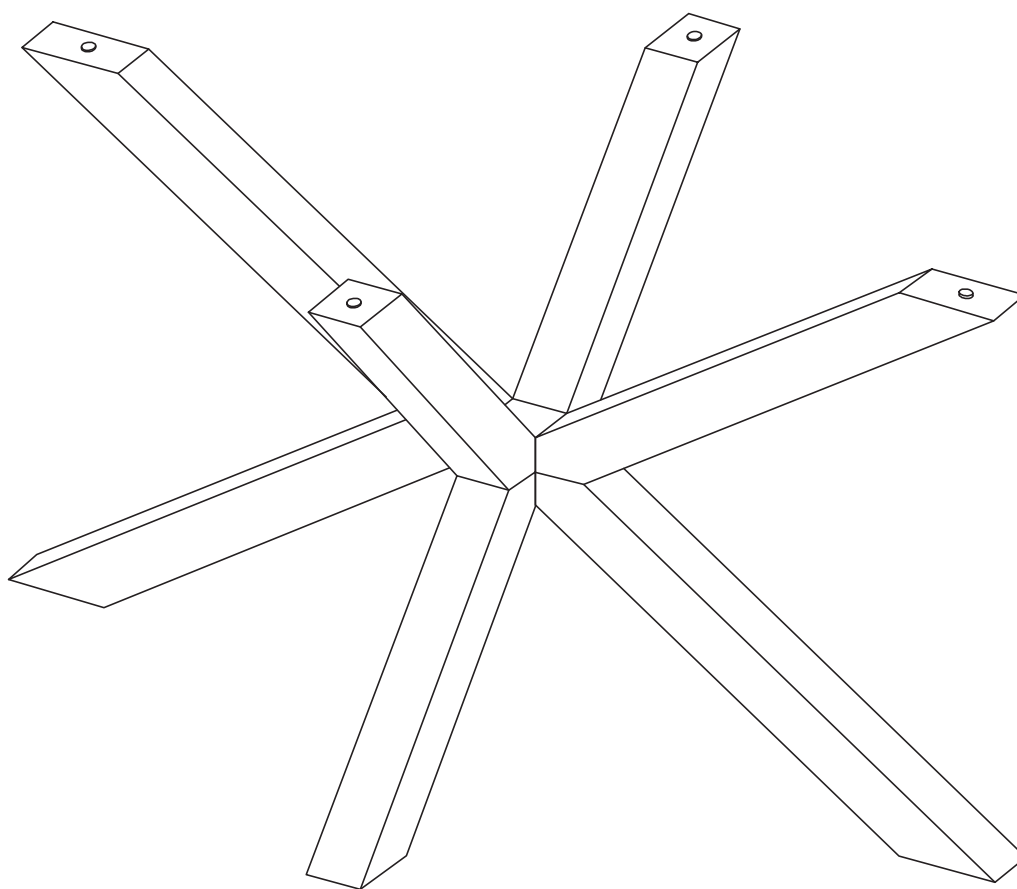


# BANAK

# NURMA

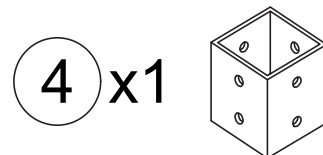
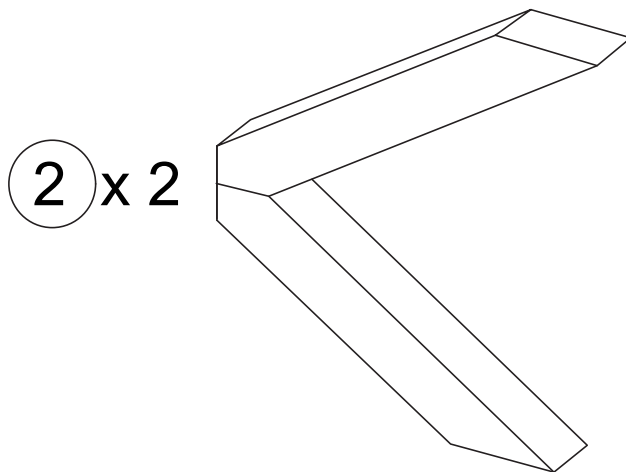
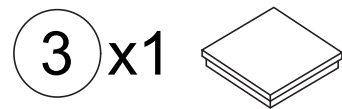
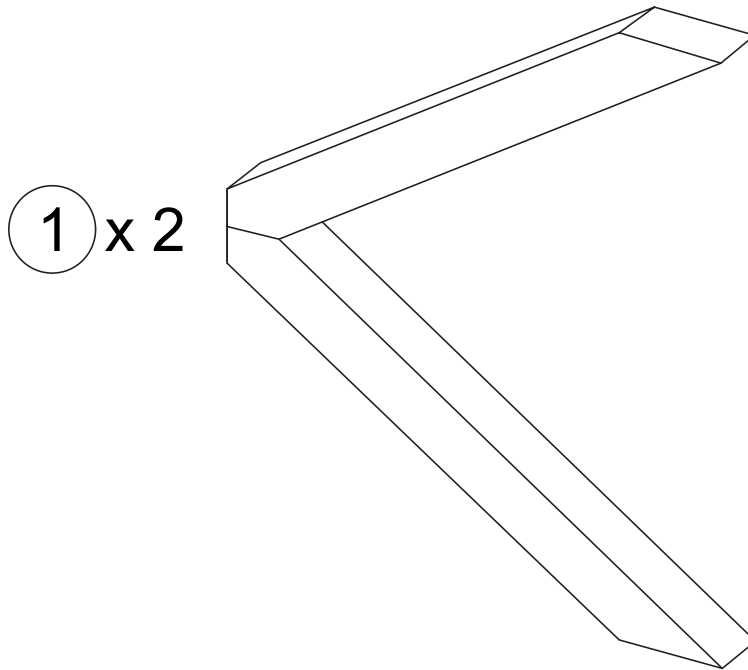
NU-0303



# BANAK

# NURMA

NU-0303



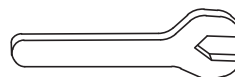
Ⓐ x 8  
( M8x25 )



Ⓑ x 8  
( Ø9 )



Ⓒ x 8  
( Ø9 )



Ⓓ x 1  
( M8 )



Ⓔ x 4

# BANAK

# NURMA

NU-0303

