

BANAK

NIZA

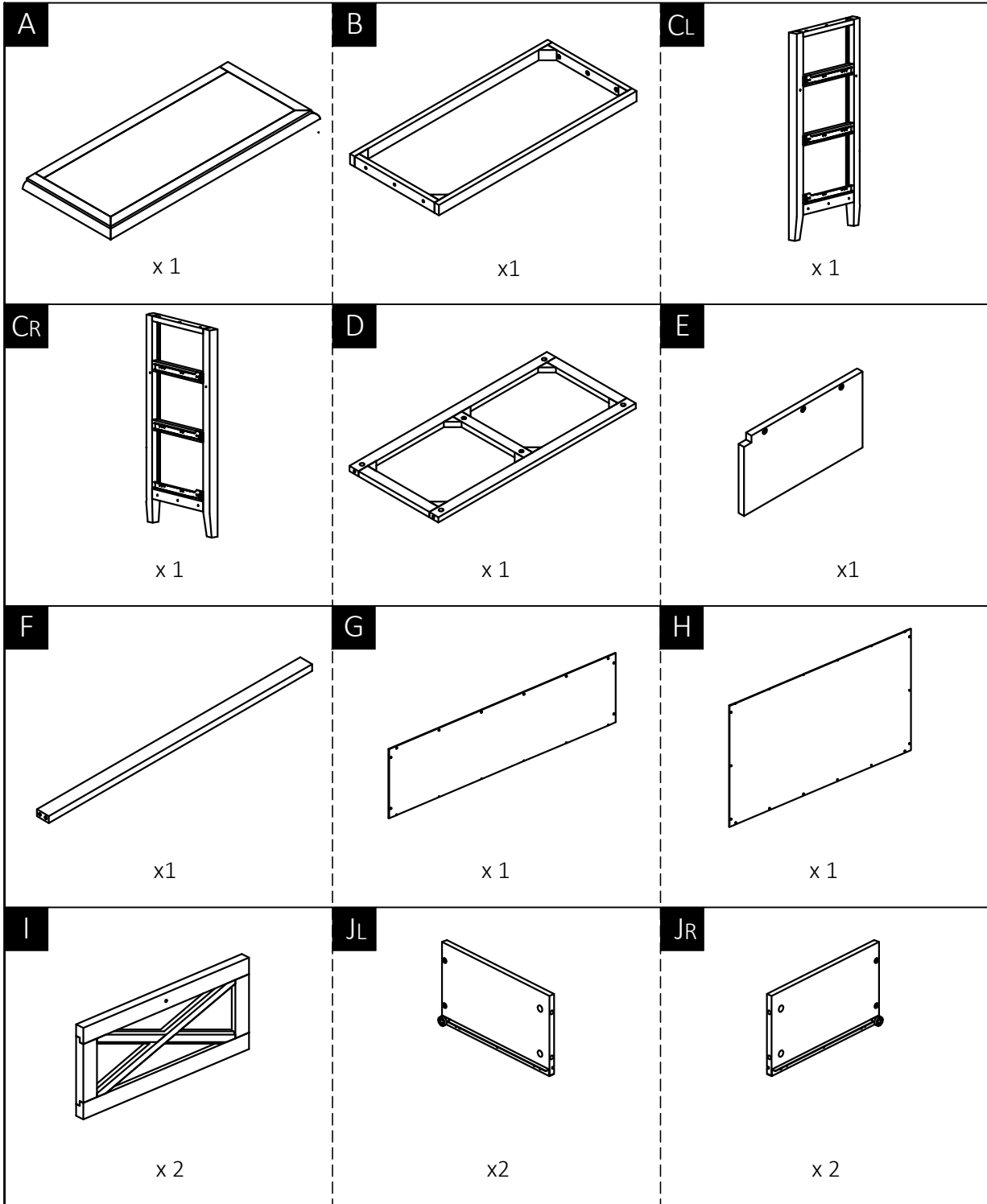
NZ-0102



BANAK

NIZA

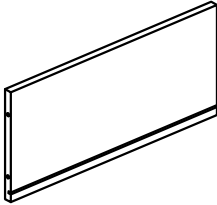
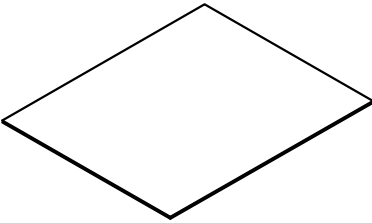
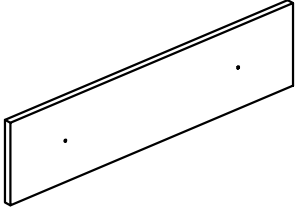
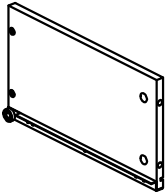
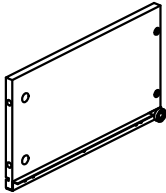
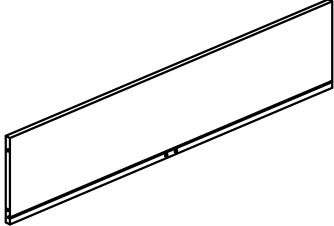
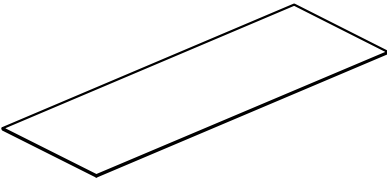
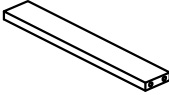
NZ-0102



BANAK

NIZA

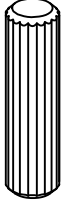

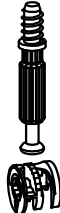
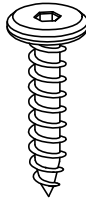
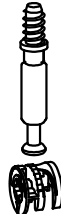
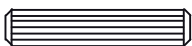

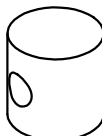
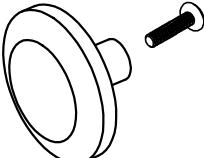
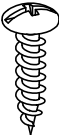
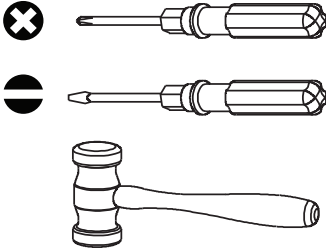

NZ-0102

<p>K</p>  <p>x 2</p>	<p>L</p>  <p>x 2</p>	<p>M</p>  <p>x 2</p>
<p>NL</p>  <p>x 2</p>	<p>NR</p>  <p>x 2</p>	<p>O</p>  <p>x 2</p>
<p>P</p>  <p>x 2</p>	<p>Q</p>  <p>x 2</p>	

BANAK

NIZA

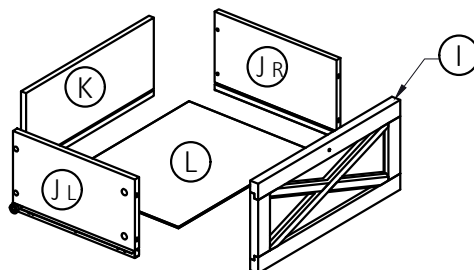
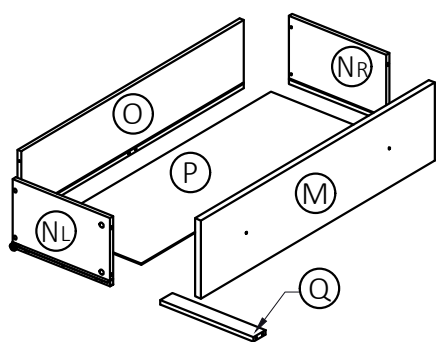
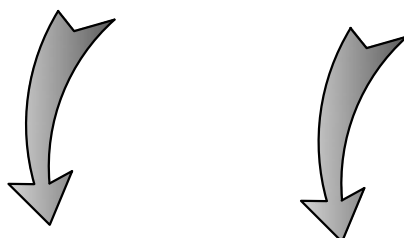
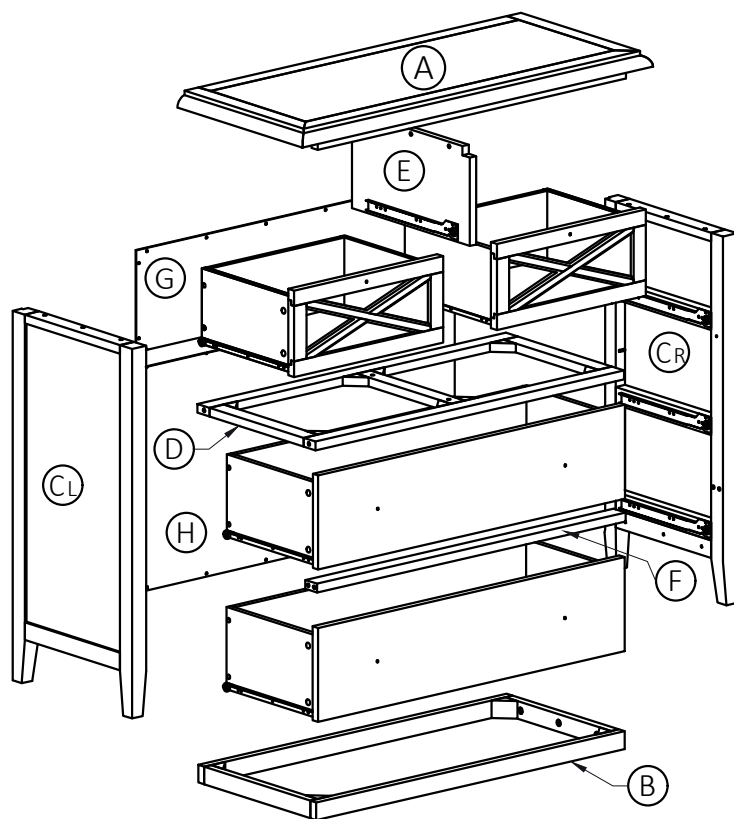
NZ-0102

<p>1</p>  <p>Ø8 X 30mm x4</p>	<p>2</p>  <p>x1</p>	<p>3</p>  <p>x 4</p>	<p>4</p>  <p>x 17</p>
<p>5</p>  <p>x16</p>	<p>6</p>  <p>Ø6 X 30mm x 8</p>	<p>7</p>  <p>M4 X 30mm x 16</p>	<p>8</p>  <p>M8 X 8mm x 16</p>
<p>9</p>  <p>x 6</p>	<p>10</p>  <p>M4 X 15mm x 28</p>		
 			

BANAK

NIZA

NZ-0102

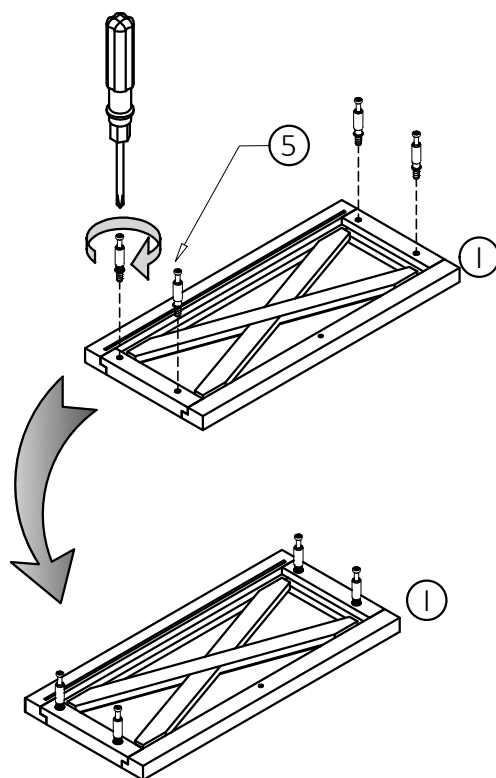
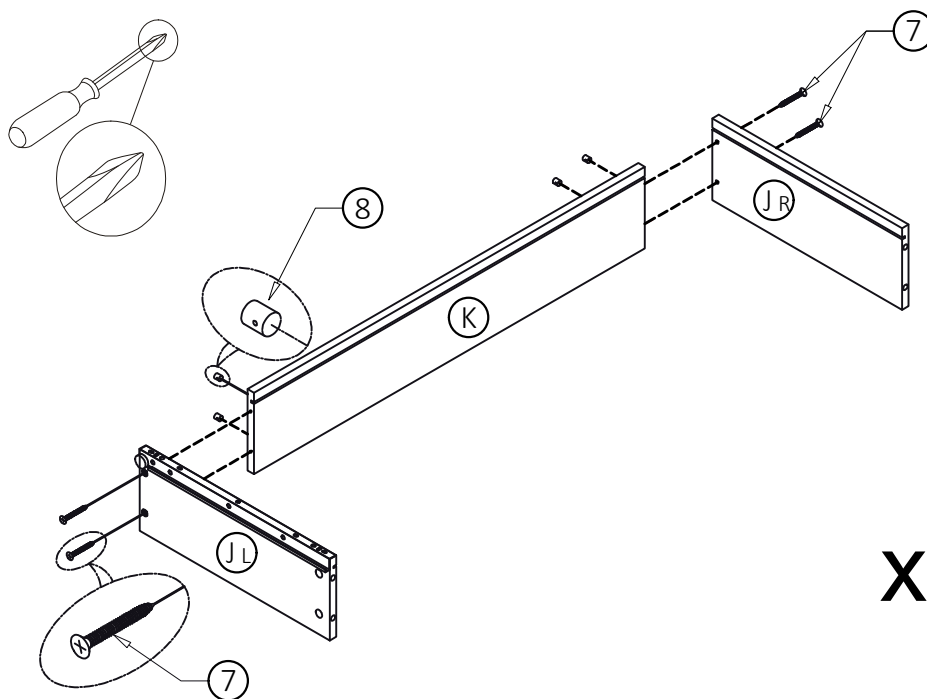


BANAK

NIZA

NZ-0102

1

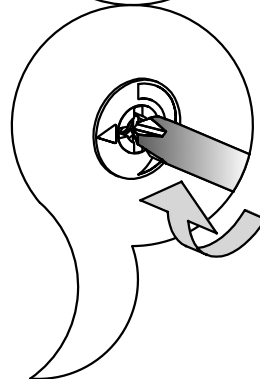
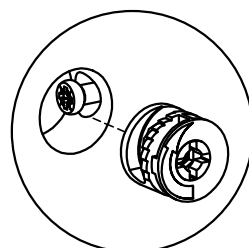
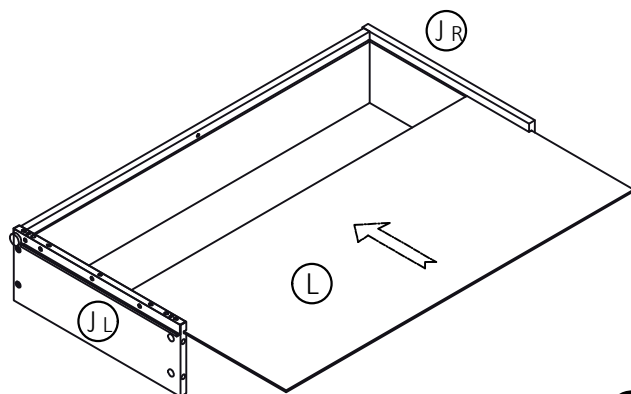


BANAK

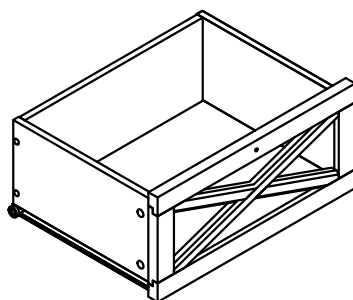
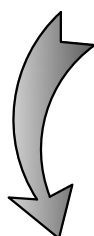
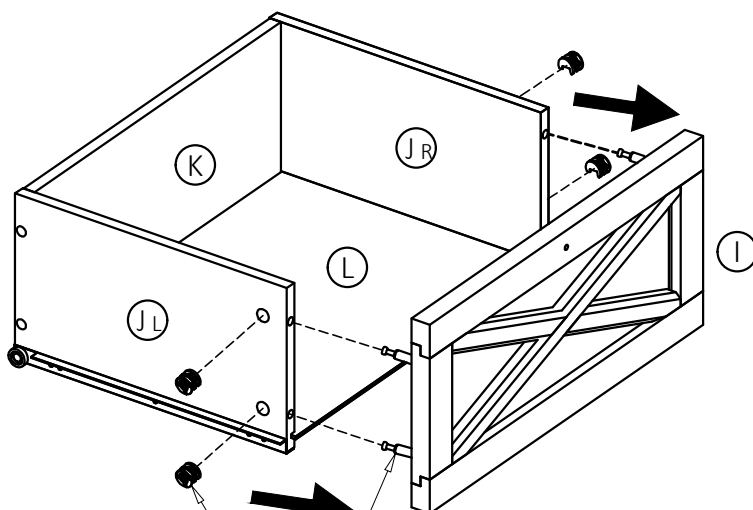
NIZA

NZ-0102

2



x2

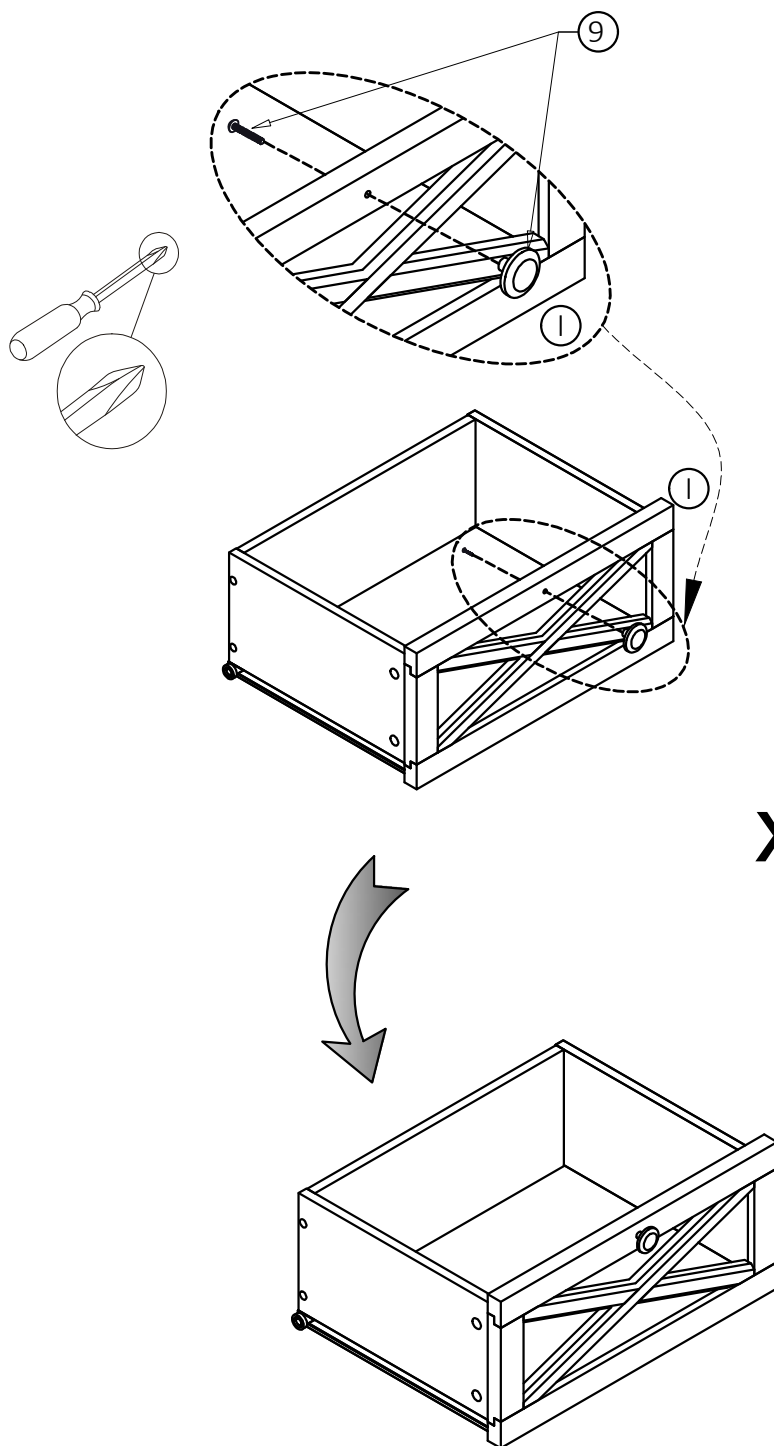


BANAK

NIZA

NZ-0102

3

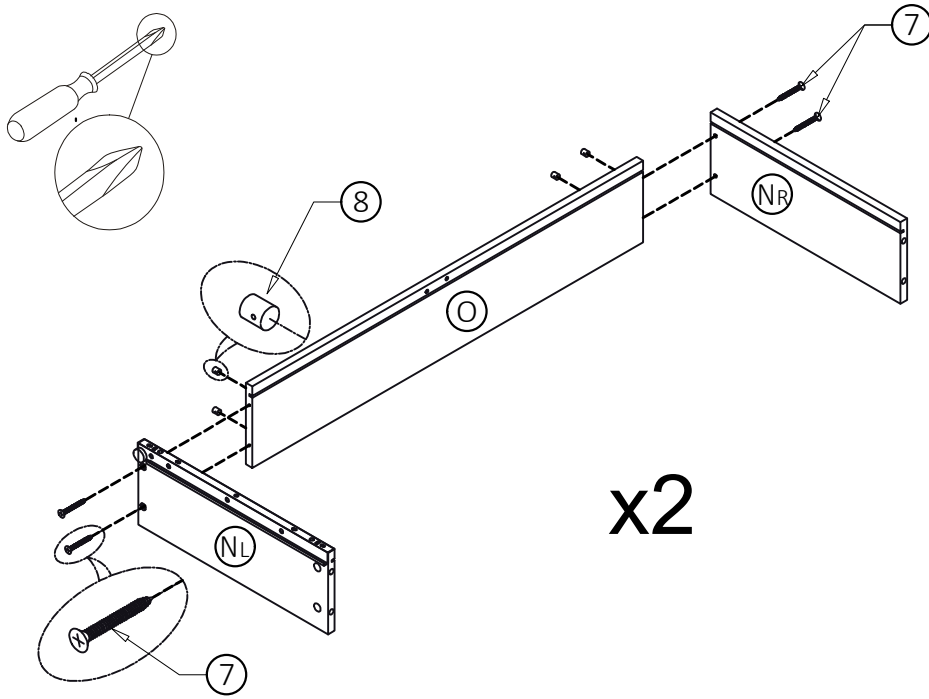


BANAK

NIZA

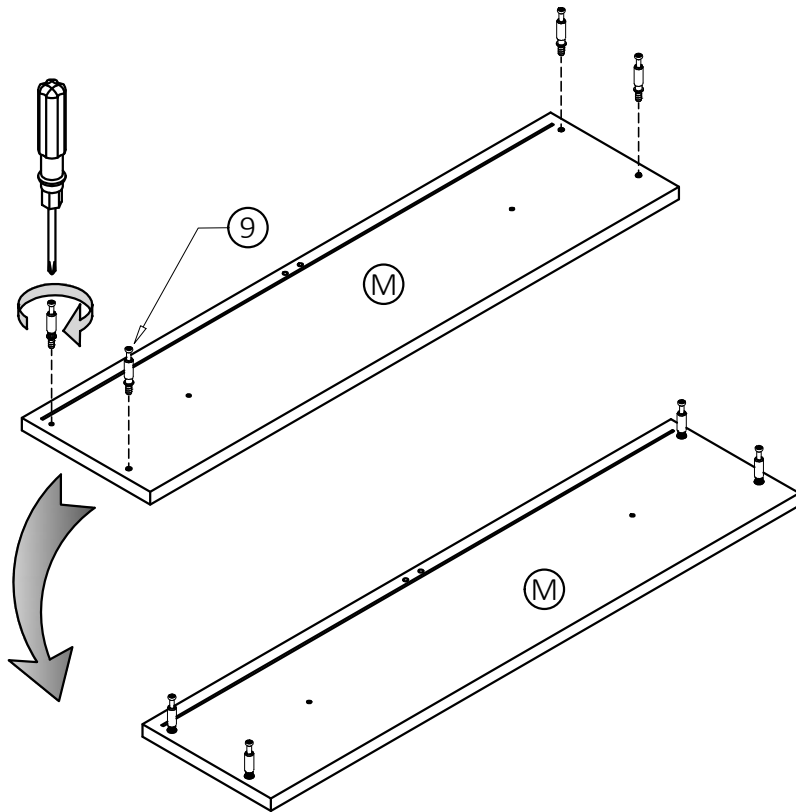
NZ-0102

4



x2

x2

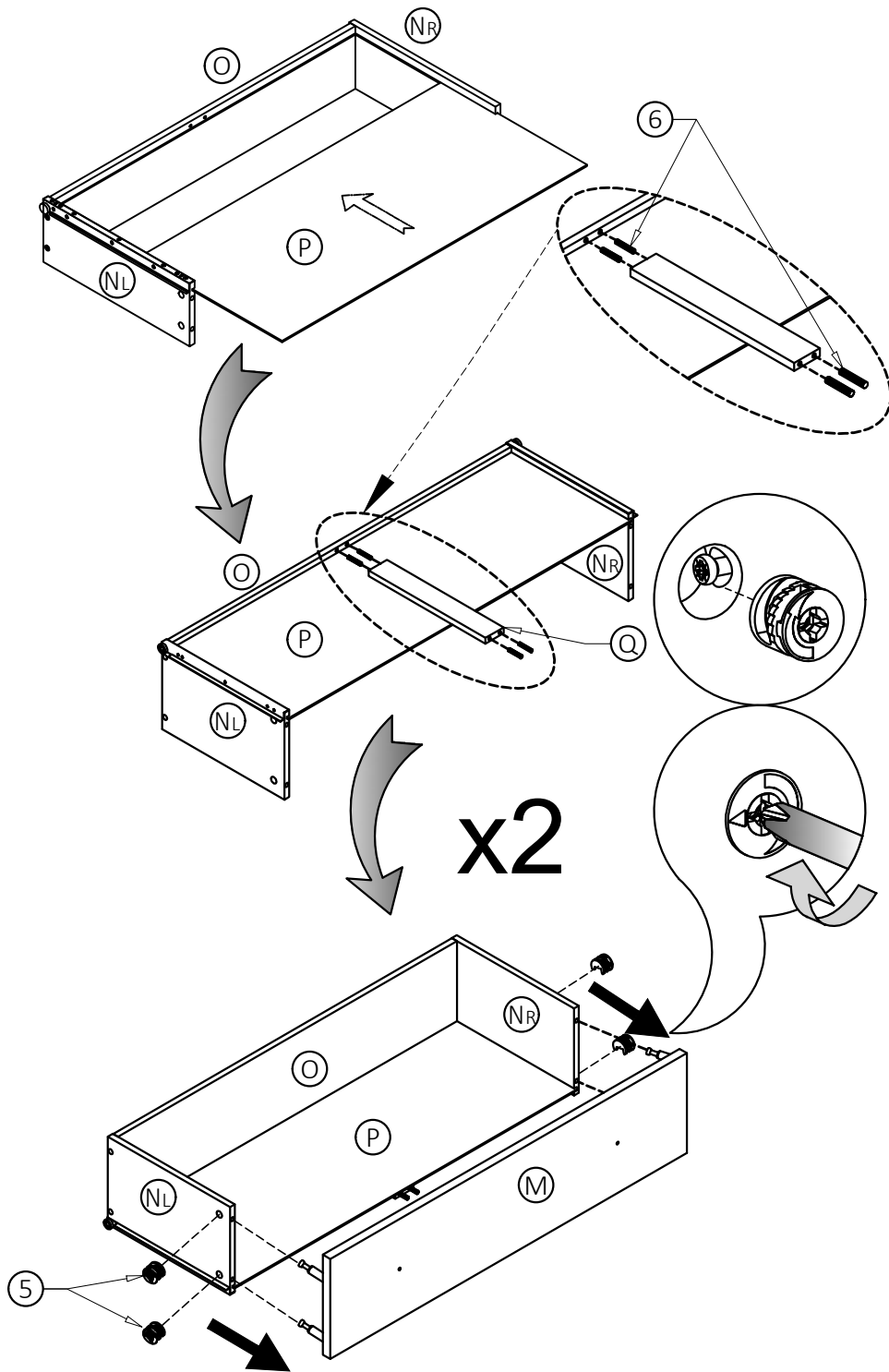


BANAK

NIZA

NZ-0102

5

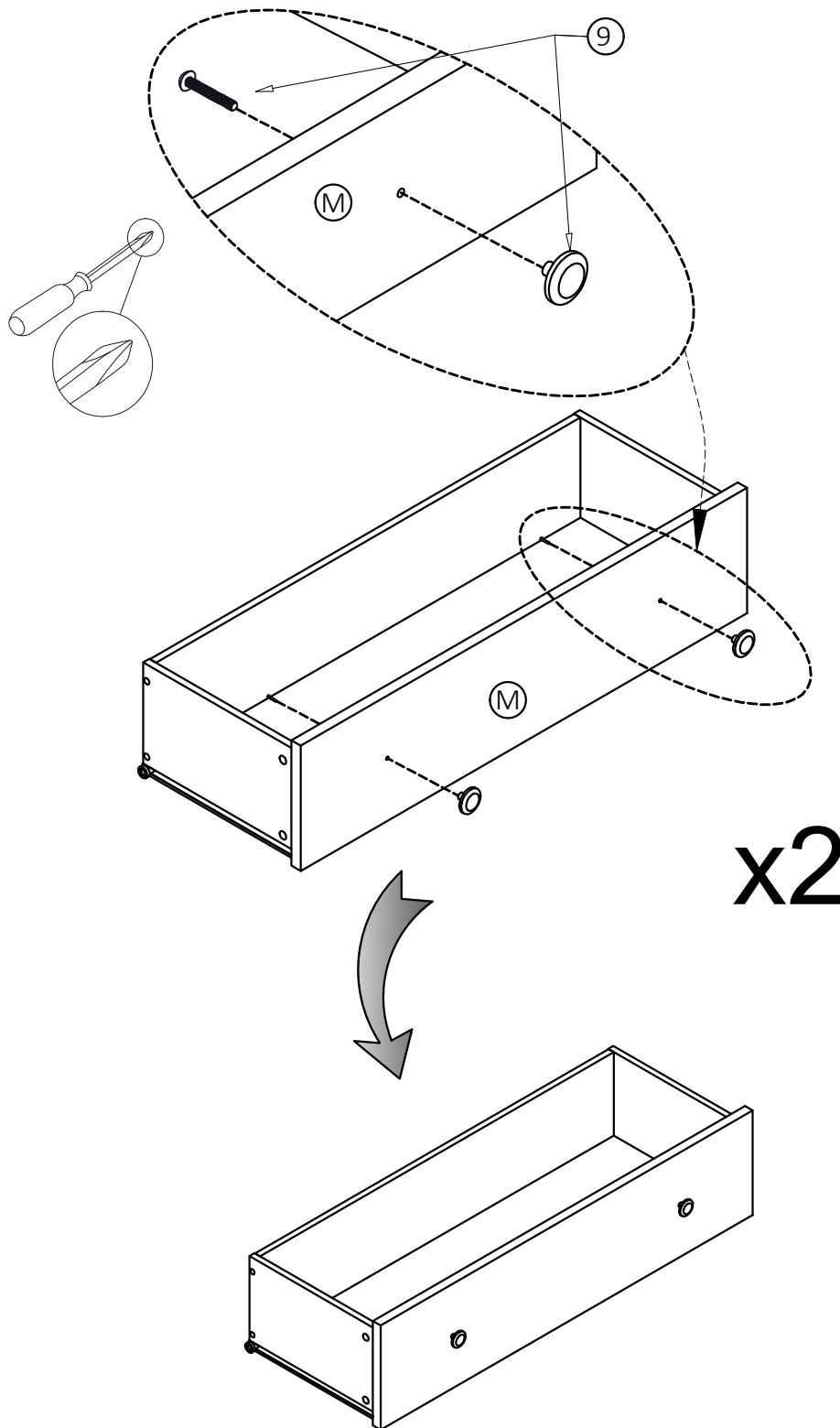


BANAK

NIZA

NZ-0102

6

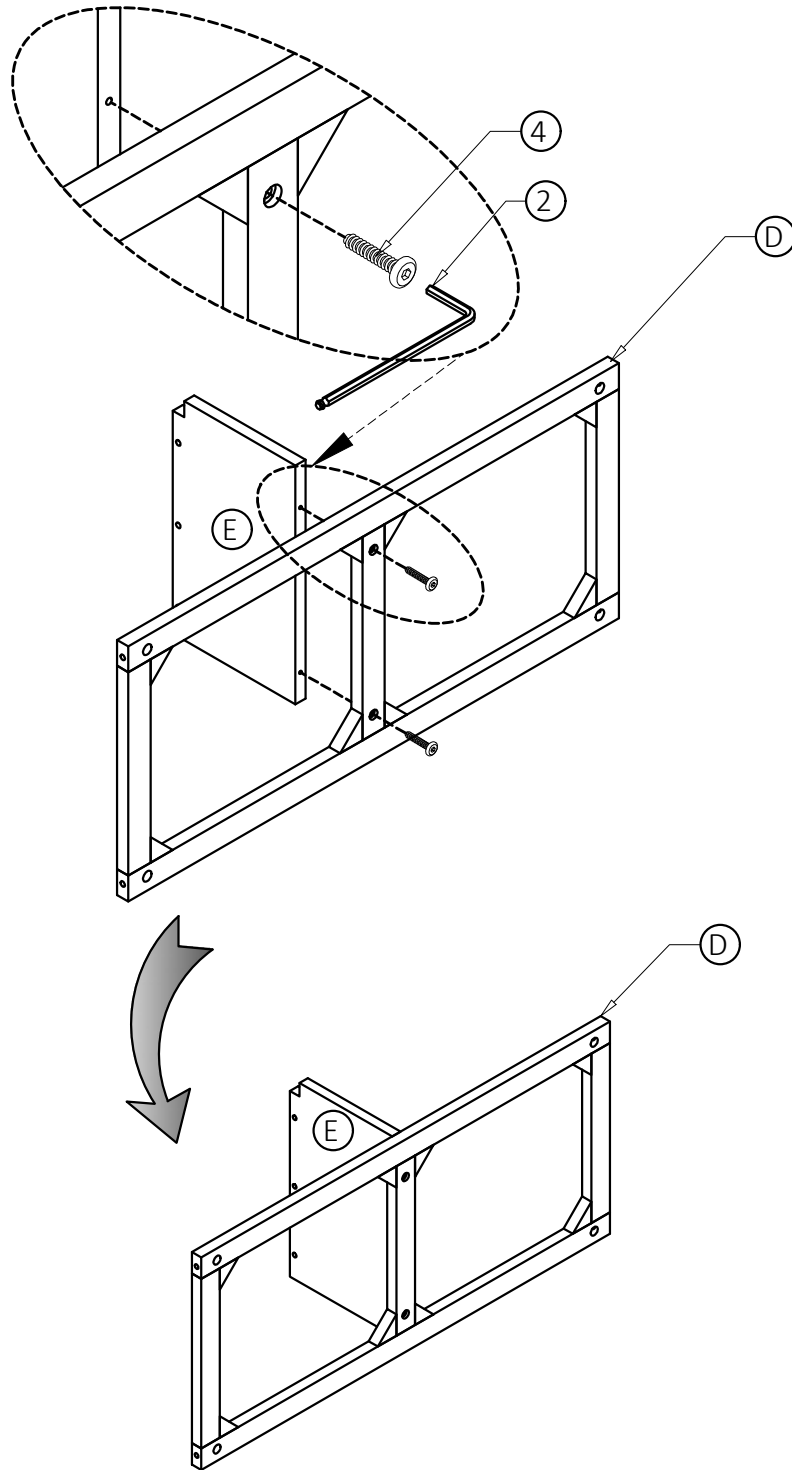


BANAK

NIZA

NZ-0102

7

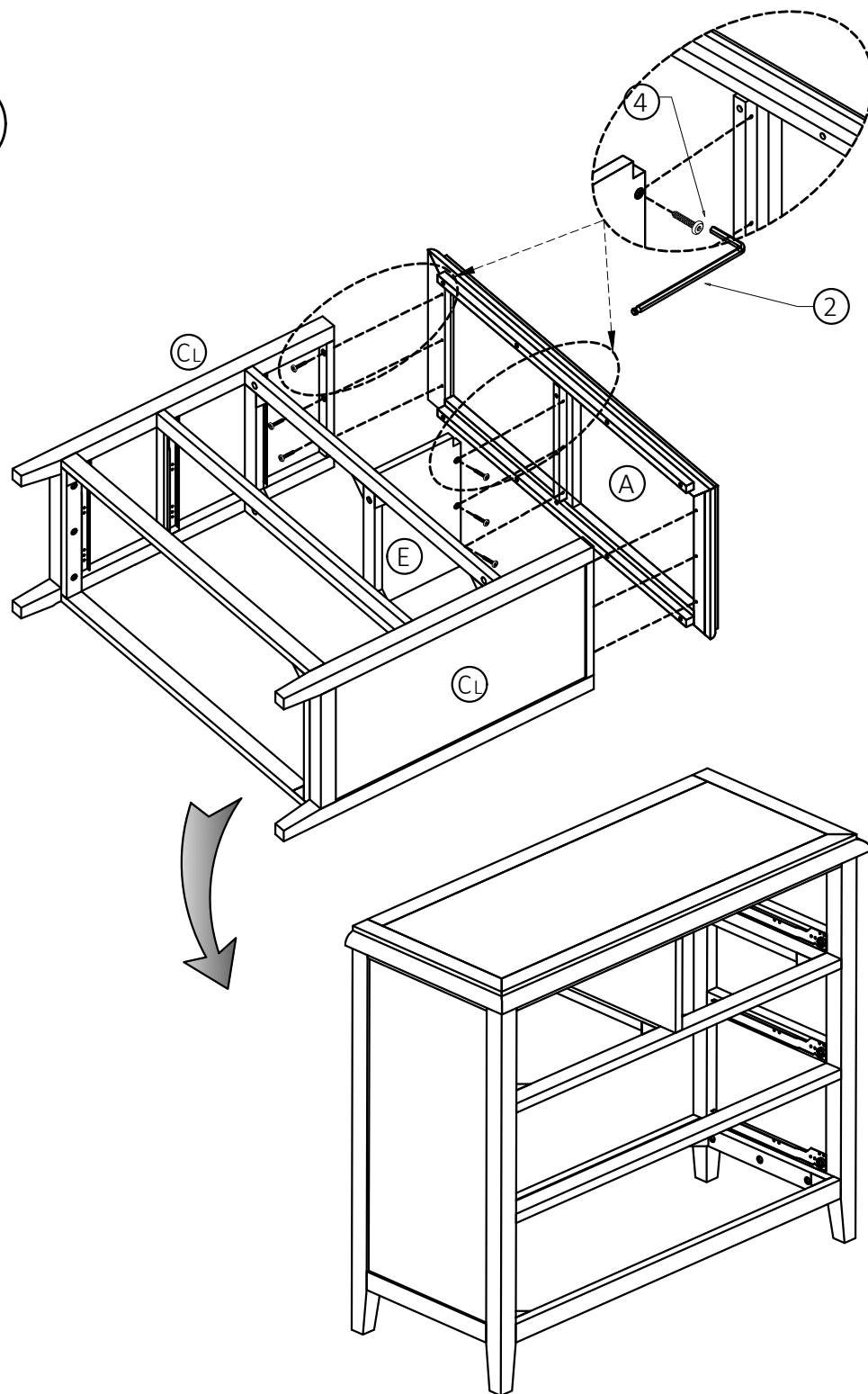


BANAK

NIZA

NZ-0102

9

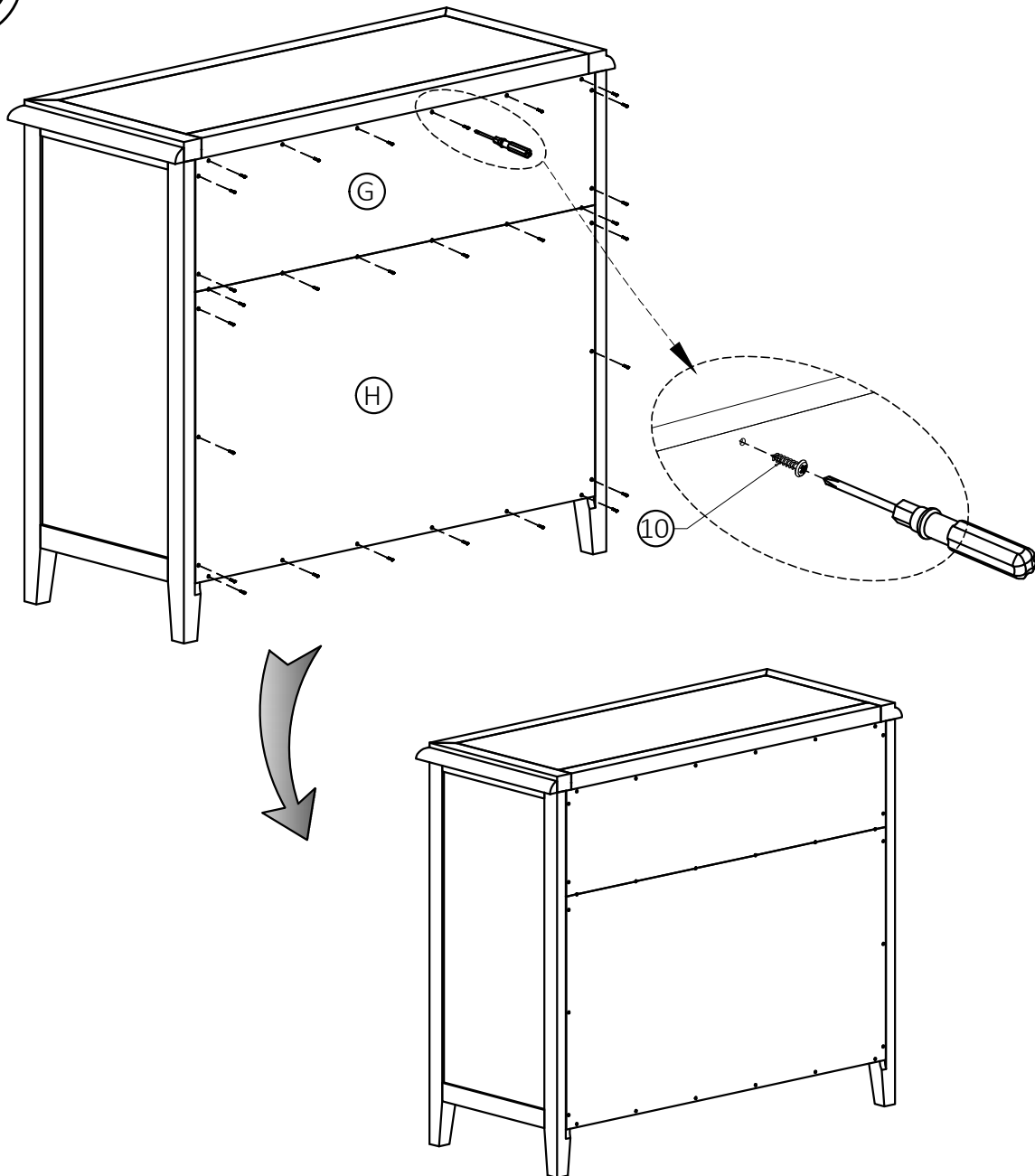


BANAK

NIZA

NZ-0102

10

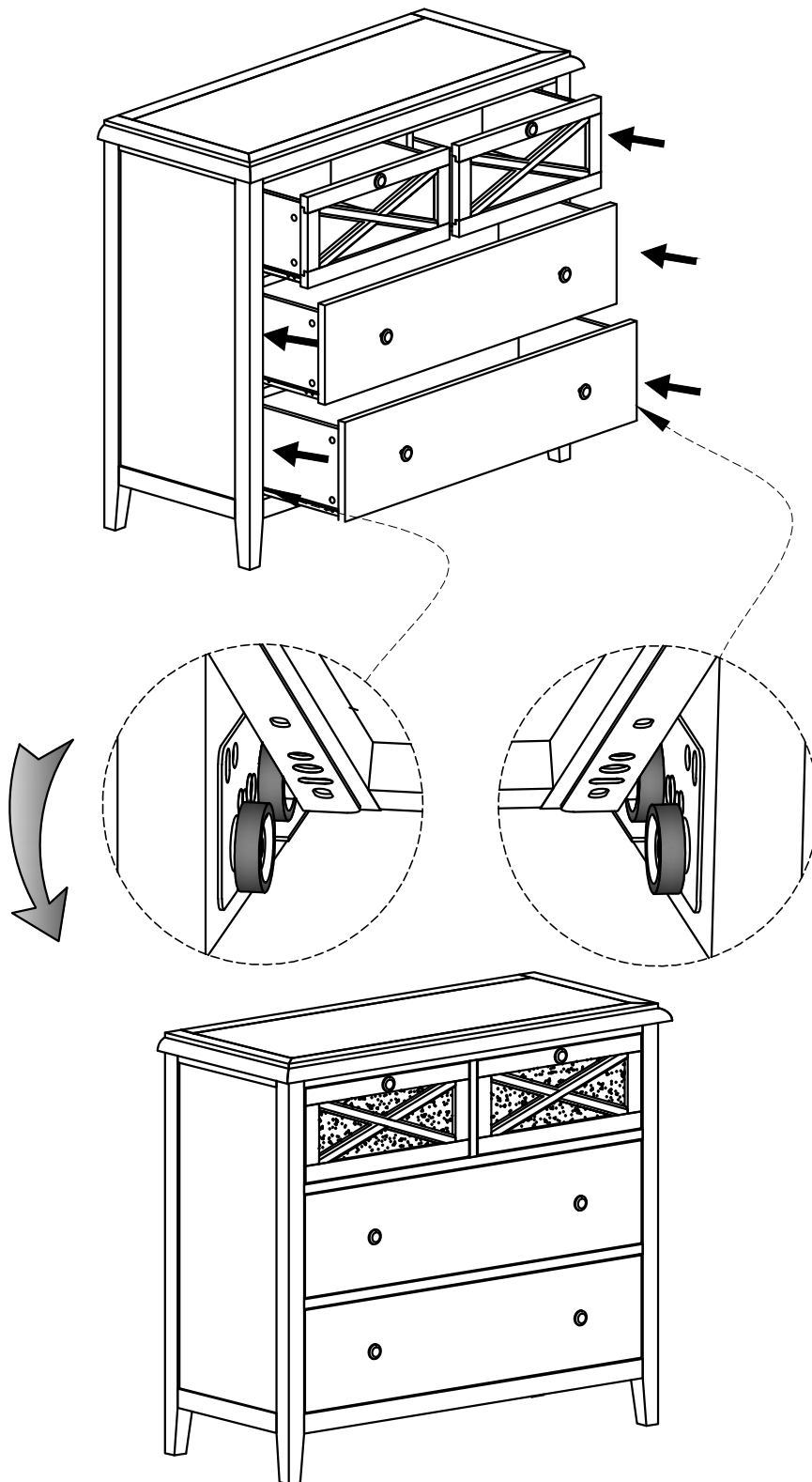


BANAK

NIZA

NZ-0102

11



BANAK

NIZA

NZ-0102

12

