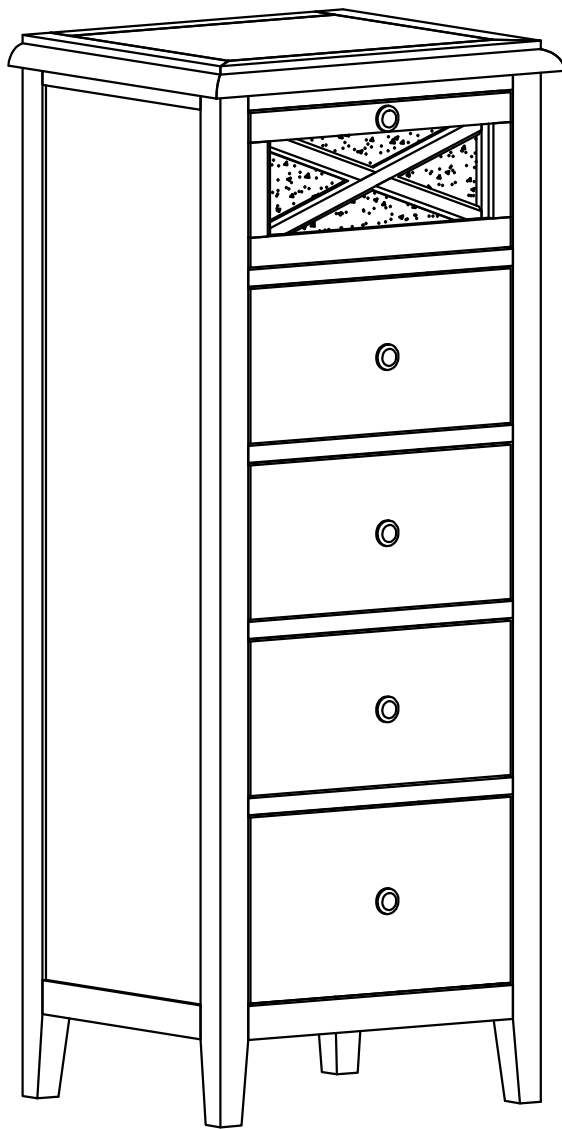


# BANAK

# NIZA

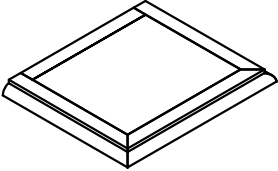
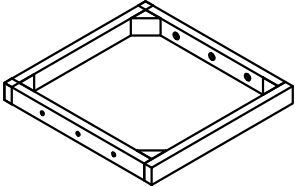
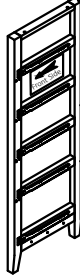
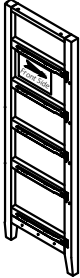
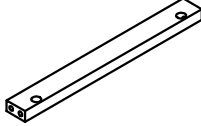
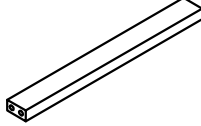
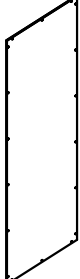
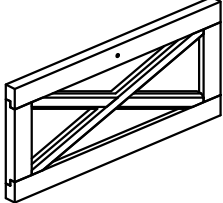
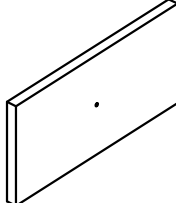
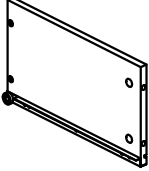
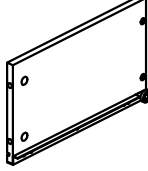
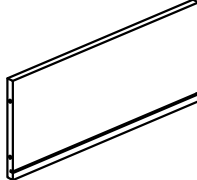
NZ-0103



# BANAK

# NIZA

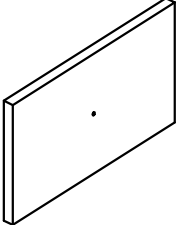
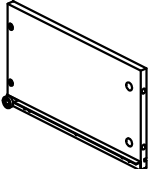
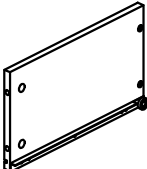
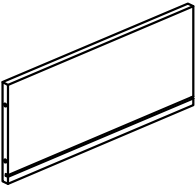
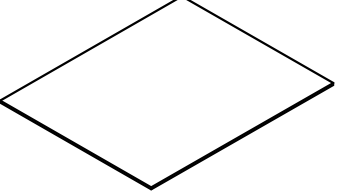
NZ-0103

<b>A</b>  x 1	<b>B</b>  x 1	<b>CL</b>  x 1
<b>CR</b>  x 1	<b>D</b>  x 1	<b>E</b>  x 3
<b>F</b>  x 1	<b>G</b>  x 1	<b>H</b>  x 3
<b>IL</b>  x 4	<b>IR</b>  x 4	<b>J</b>  x 4

# BANAK

# NIZA

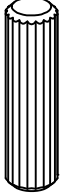
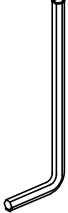
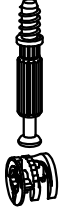
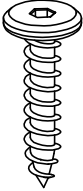
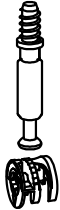

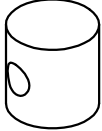
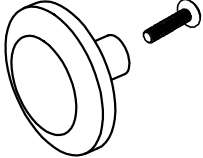
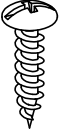
NZ-0103

<p><b>K</b></p>  <p>x 1</p>	<p><b>LL</b></p>  <p>x 1</p>	<p><b>LR</b></p>  <p>x 1</p>
<p><b>M</b></p>  <p>x 1</p>	<p><b>N</b></p>  <p>x 5</p>	

# BANAK

# NIZA

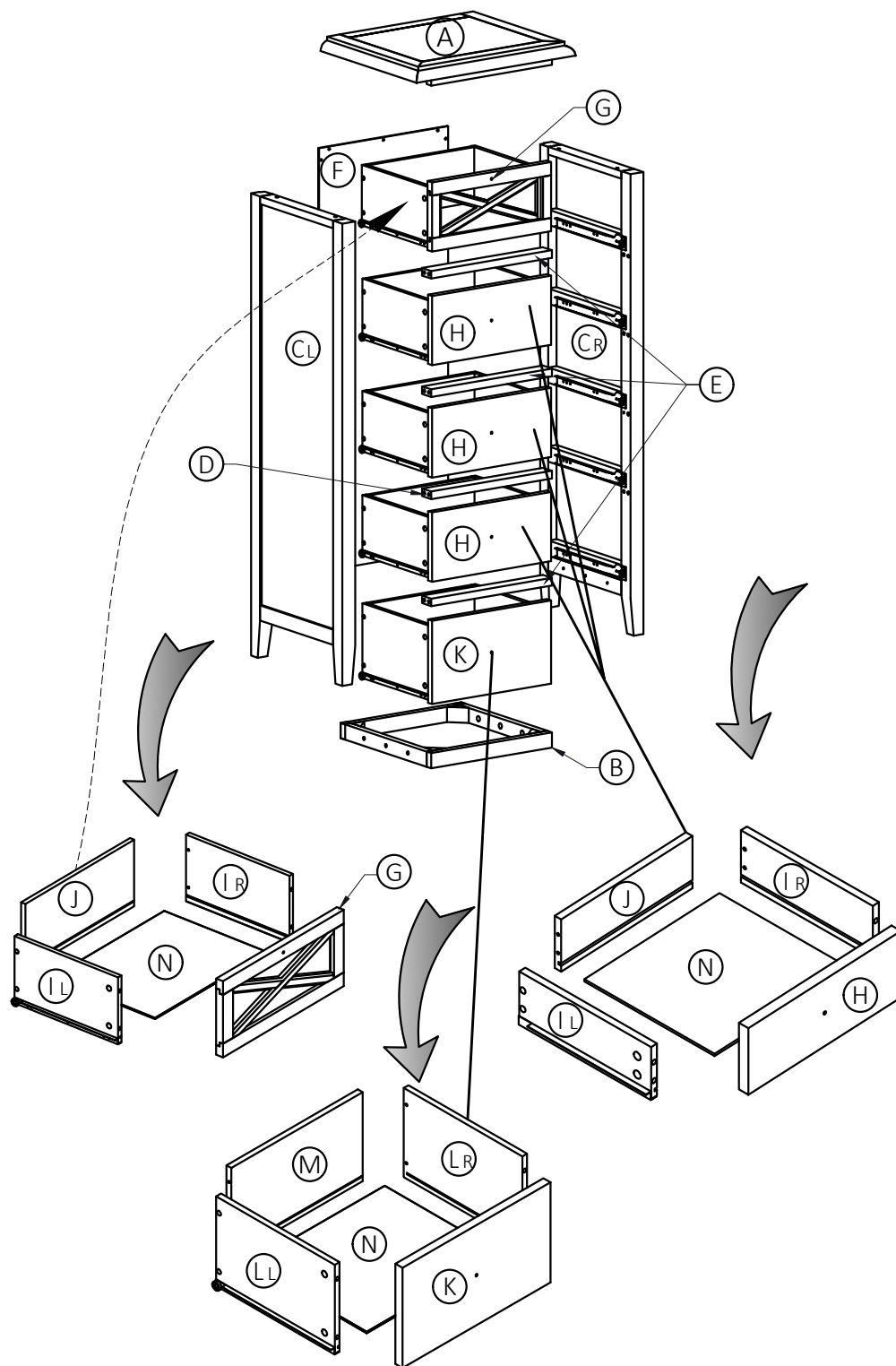
NZ-0103

<p>1</p>  <p>Ø8 X 30mm x 14</p>	<p>2</p>  <p>x 1</p>	<p>3</p>  <p>x 2</p>	<p>4</p>  <p>M6 X 30mm x 10</p>
<p>5</p>  <p>x 20</p>	<p>6</p>  <p>M4 X 30mm x 20</p>	<p>7</p>  <p>M8 X 8mm x 20</p>	<p>8</p>  <p>x 5</p>
<p>9</p>  <p>M4 X 15mm x 18</p>			

# BANAK

# NIZA

NZ-0103

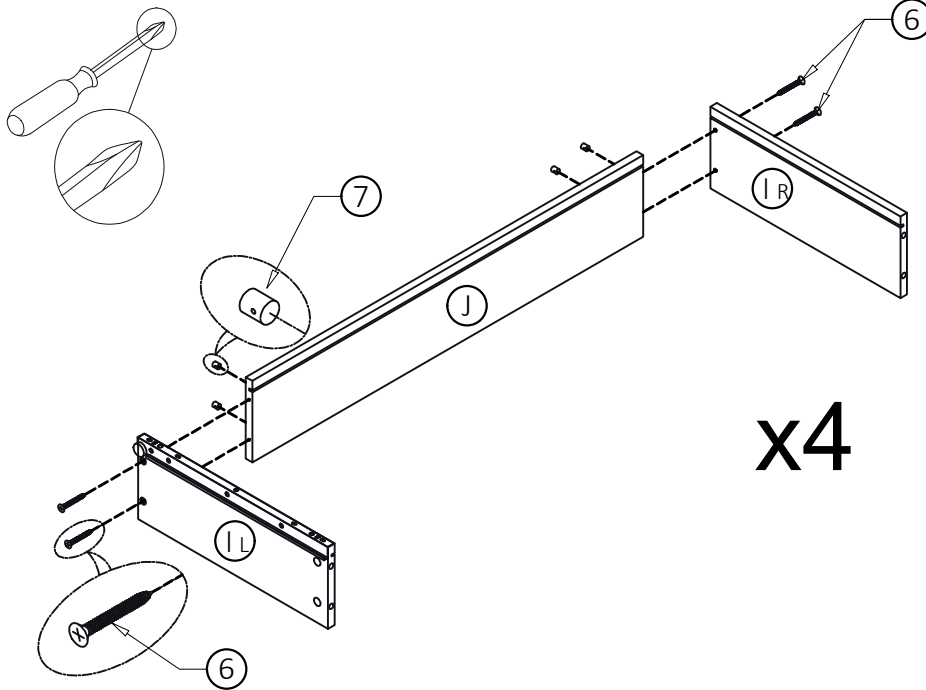


# BANAK

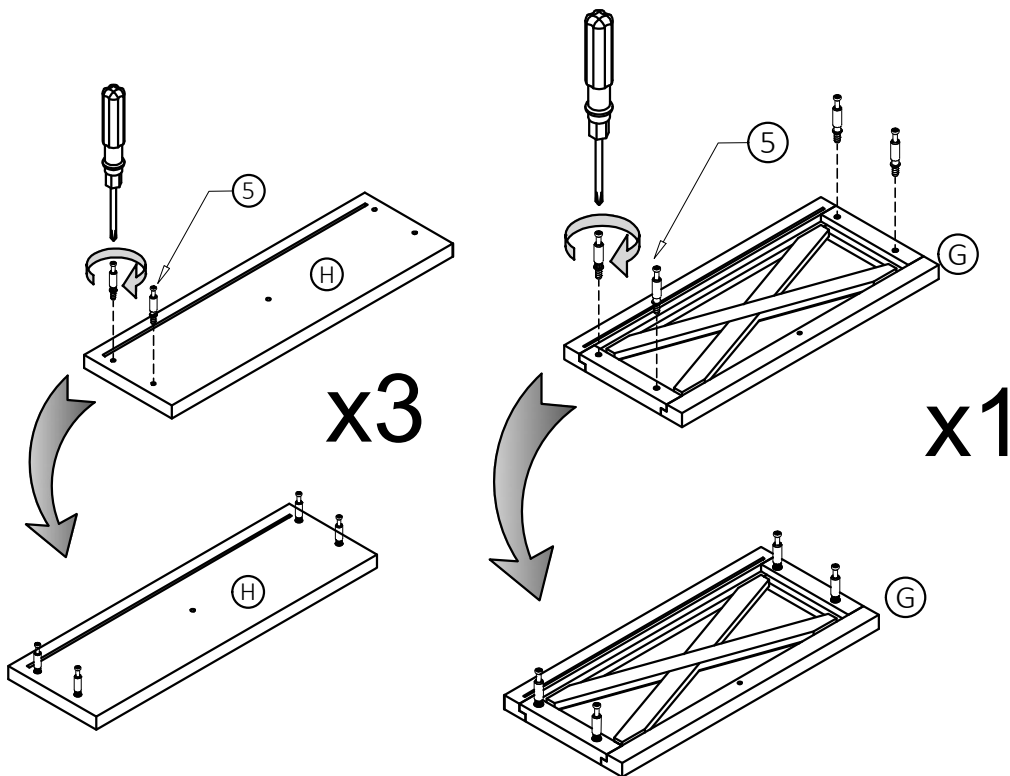
# NIZA

NZ-0103

1



2

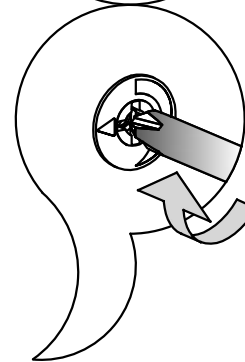
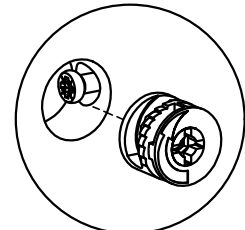
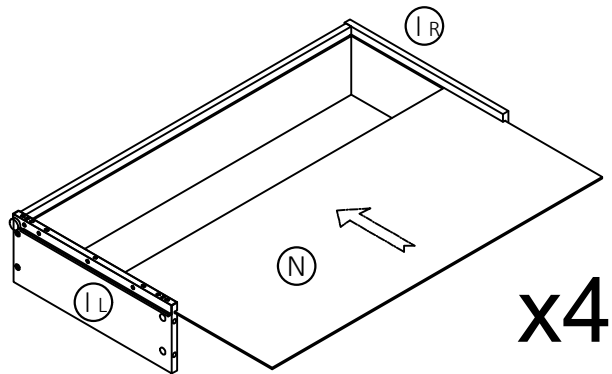


# BANAK

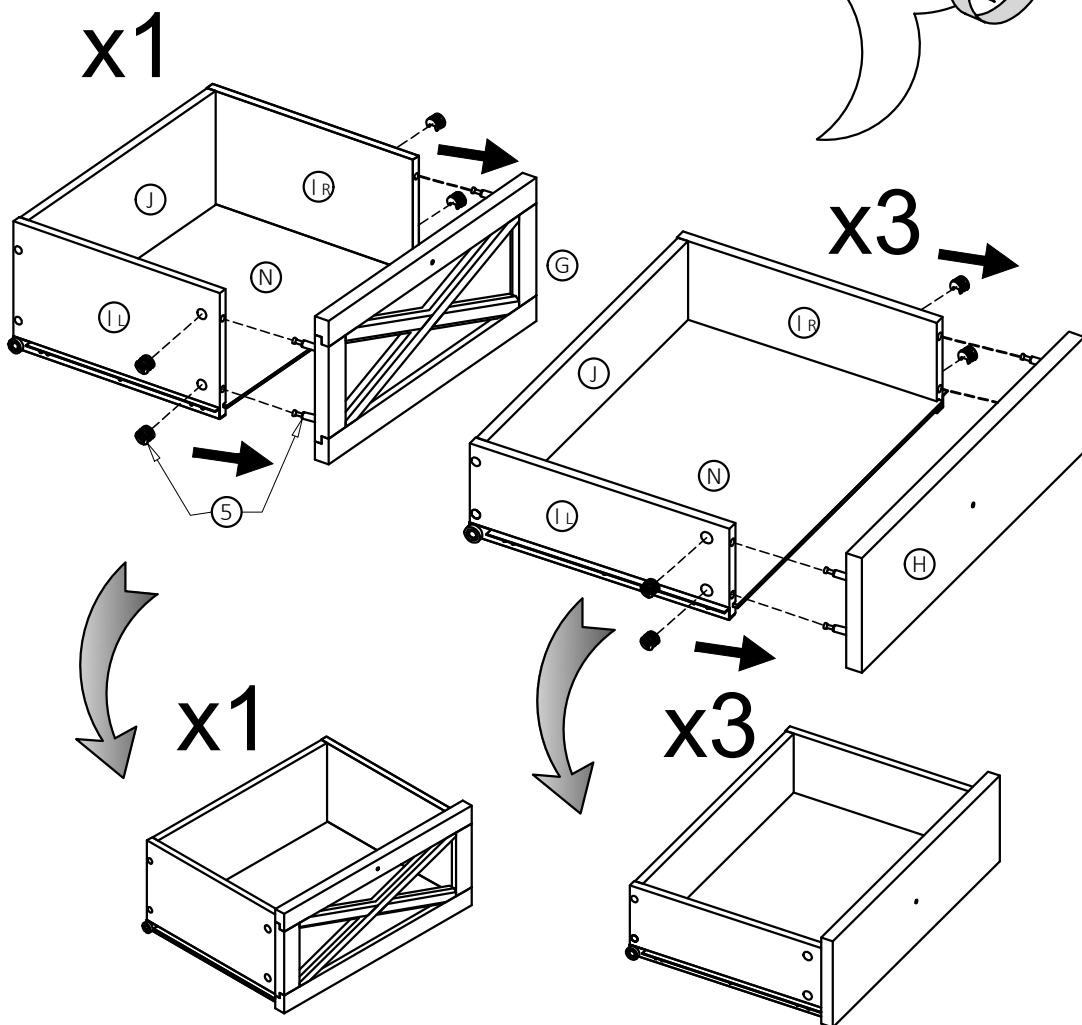
# NIZA

NZ-0103

3



4

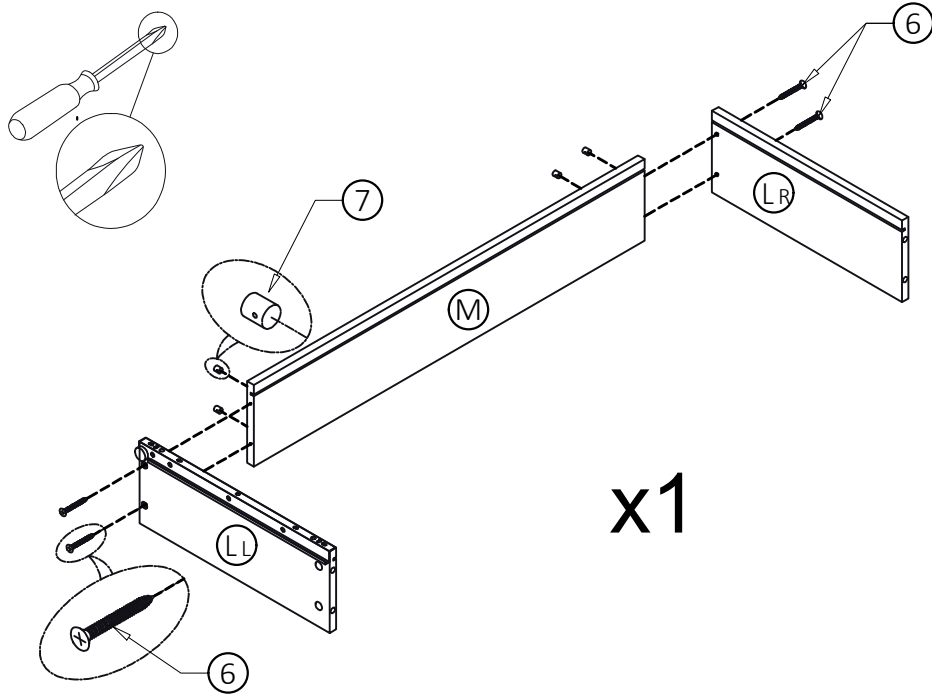


# BANAK

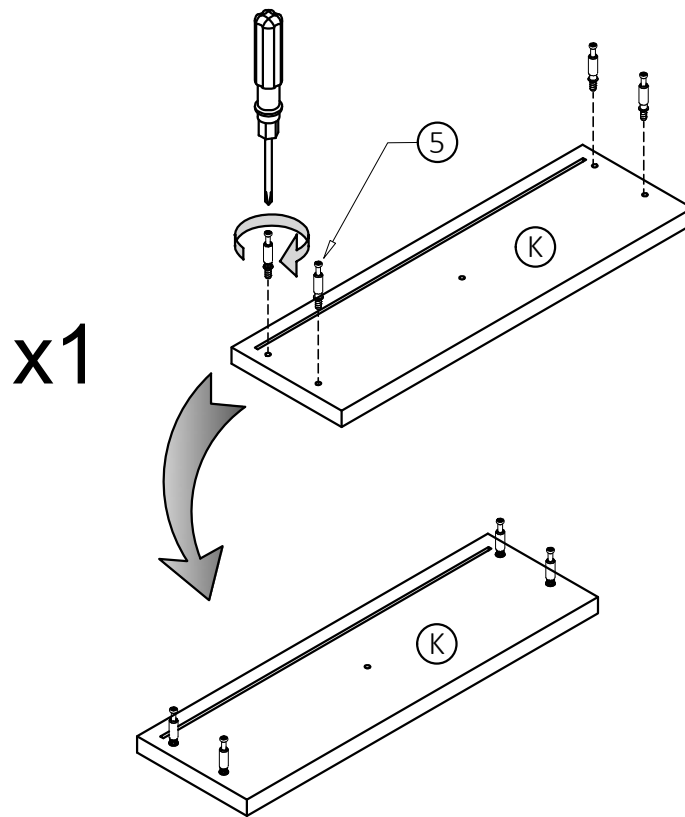
# NIZA

NZ-0103

5



6



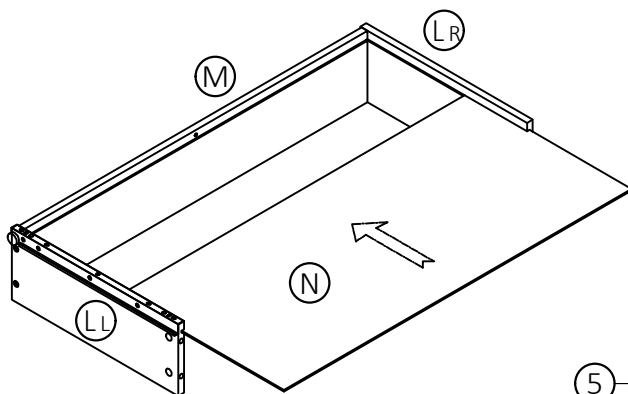


# BANAK

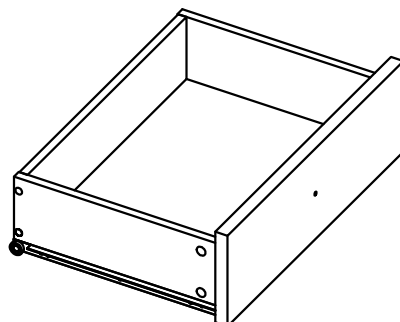
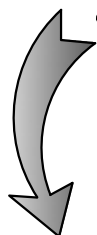
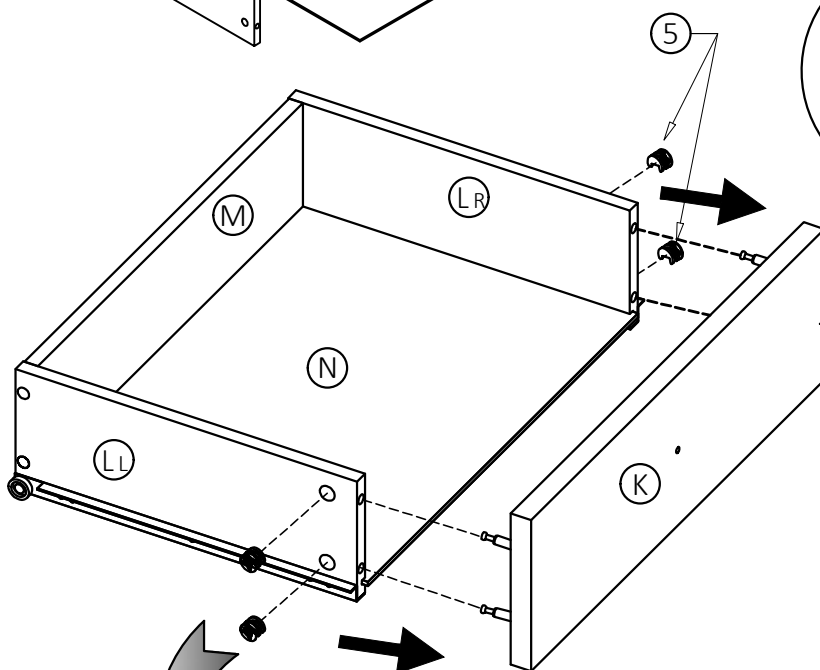
# NIZA

NZ-0103

7



8



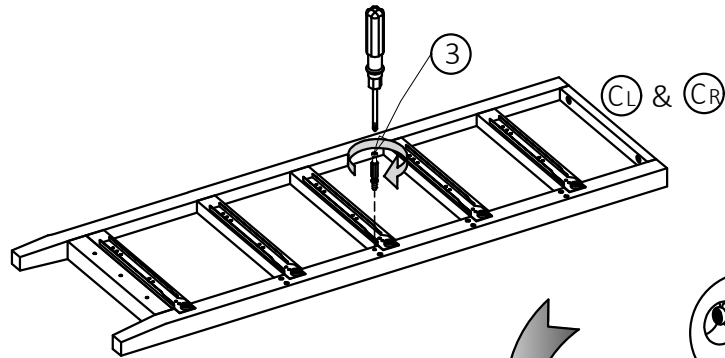
x1

# BANAK

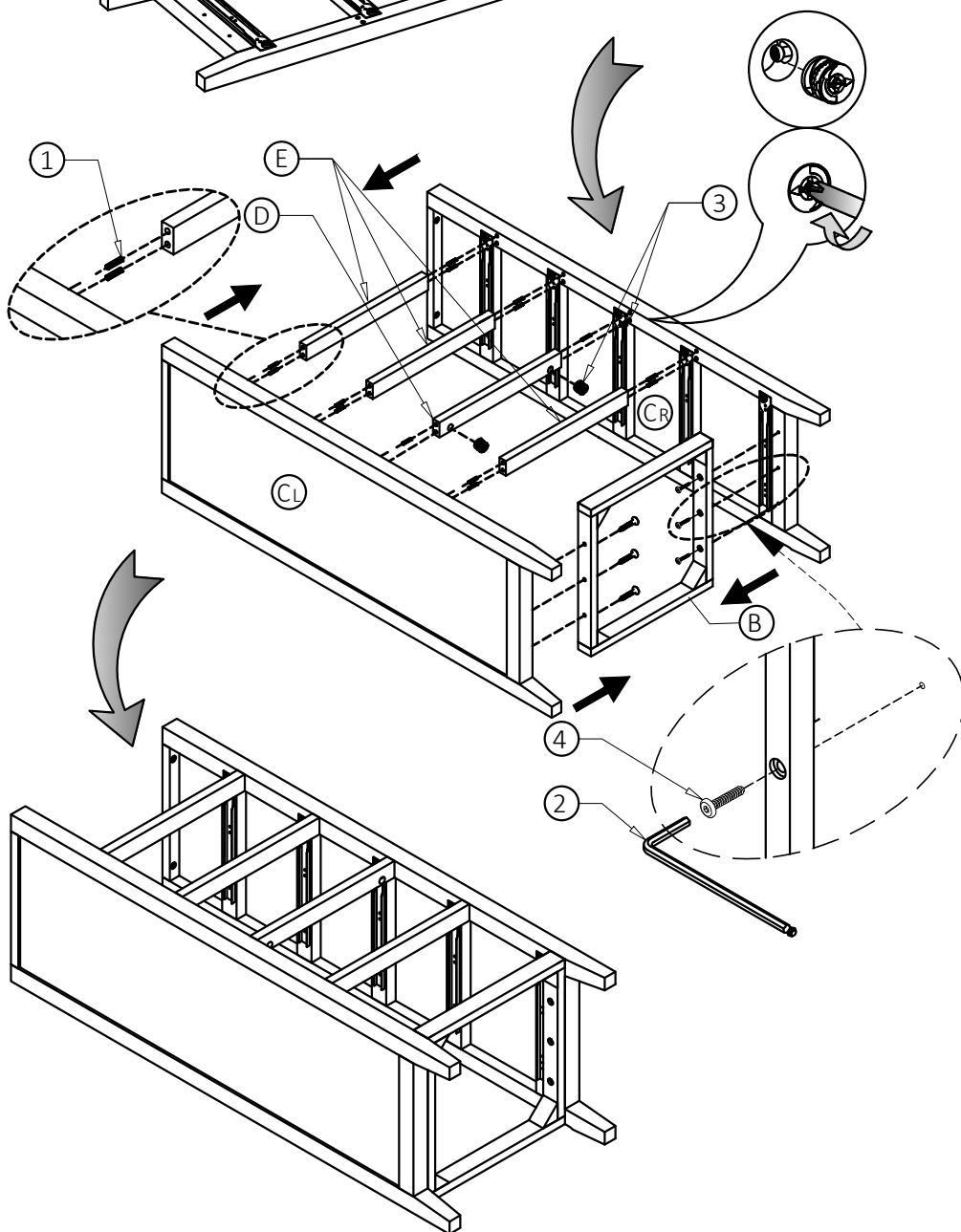
# NIZA

NZ-0103

9



10

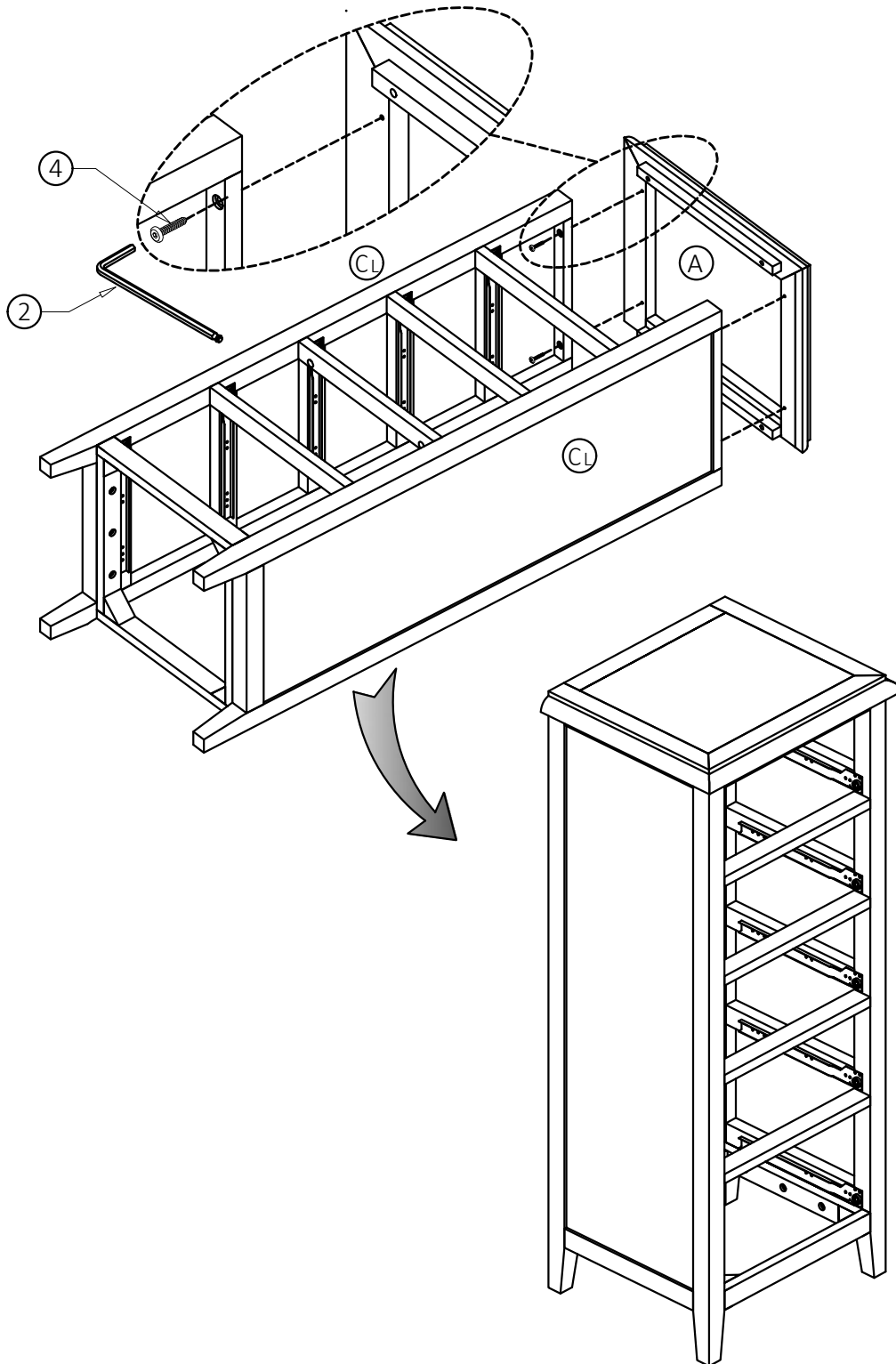


# BANAK

# NIZA

NZ-0103

11

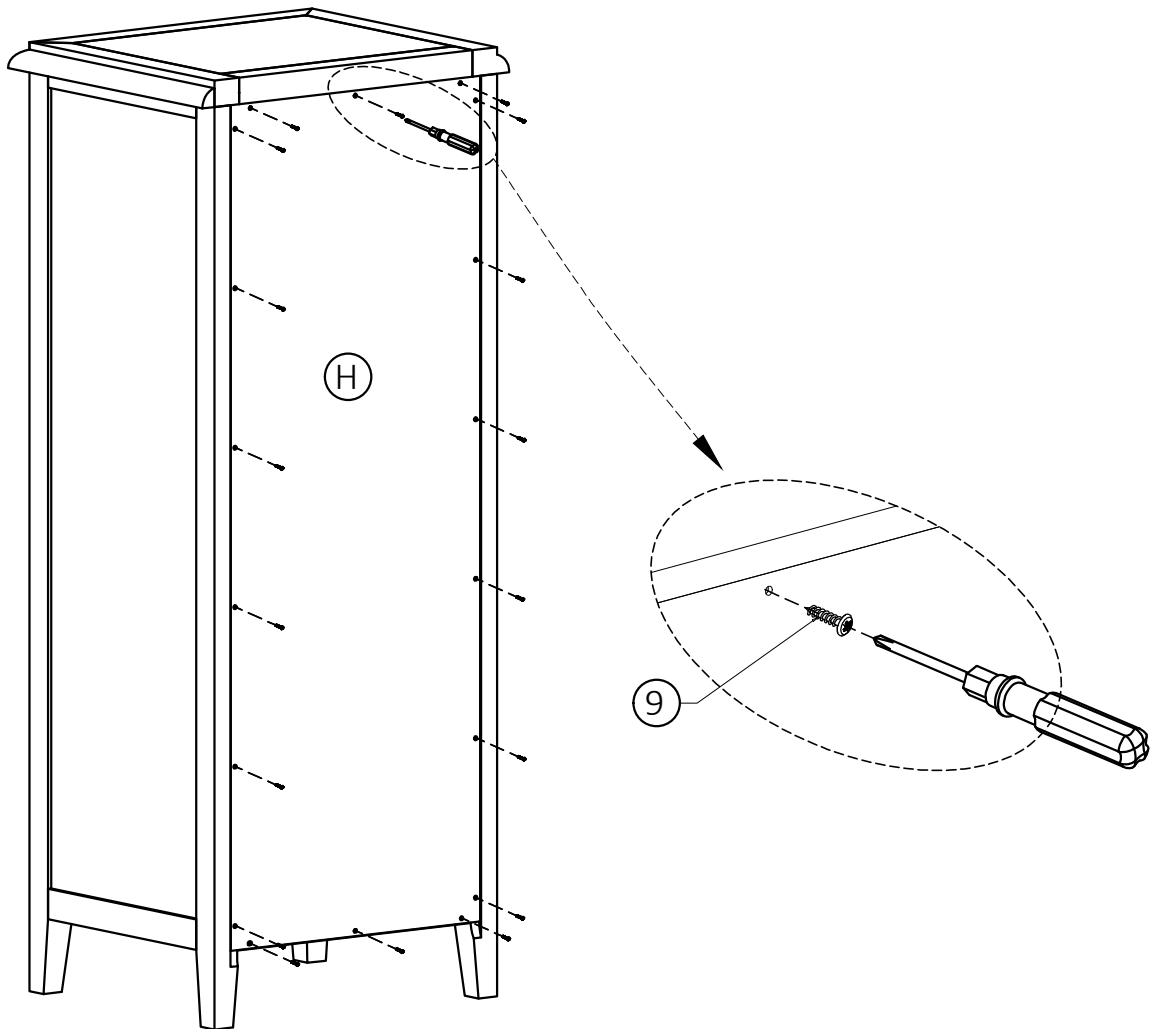


# BANAK

# NIZA

NZ-0103

12

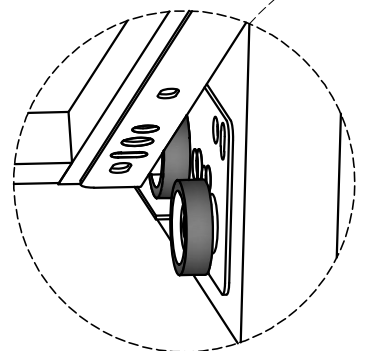
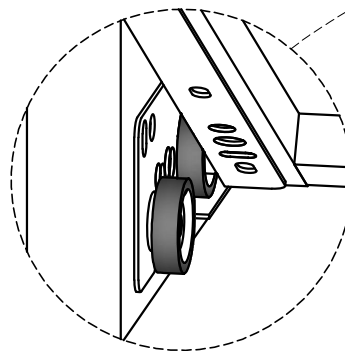
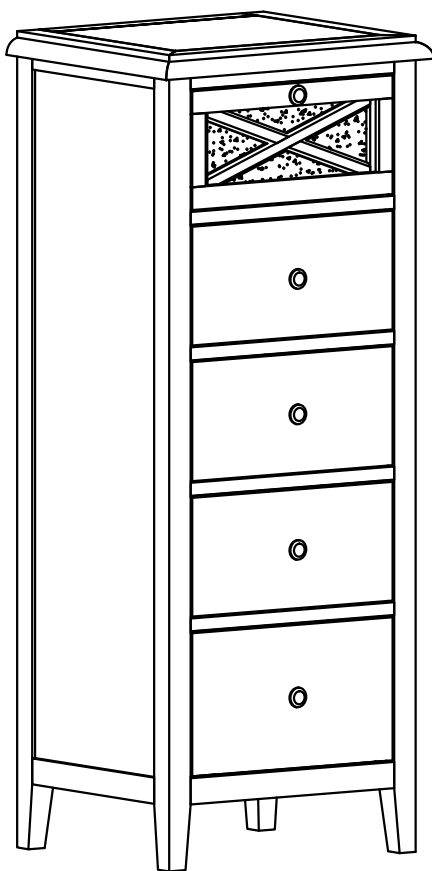
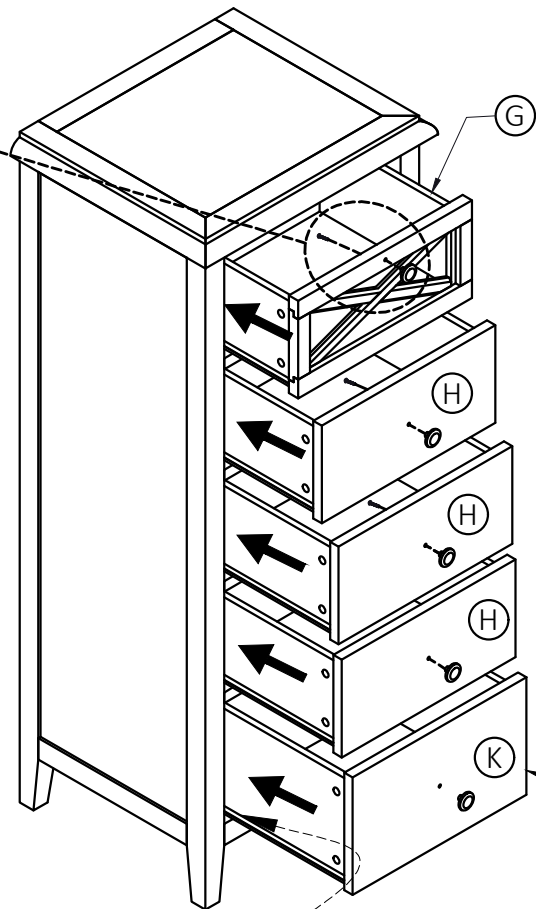
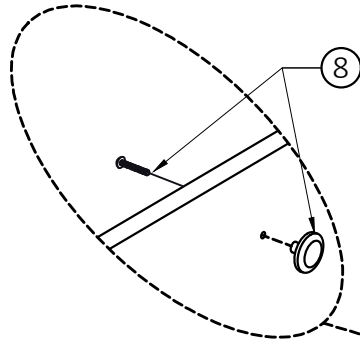


# BANAK

# NIZA

NZ-0103

13



# BANAK

# NIZA

NZ-0103

14

