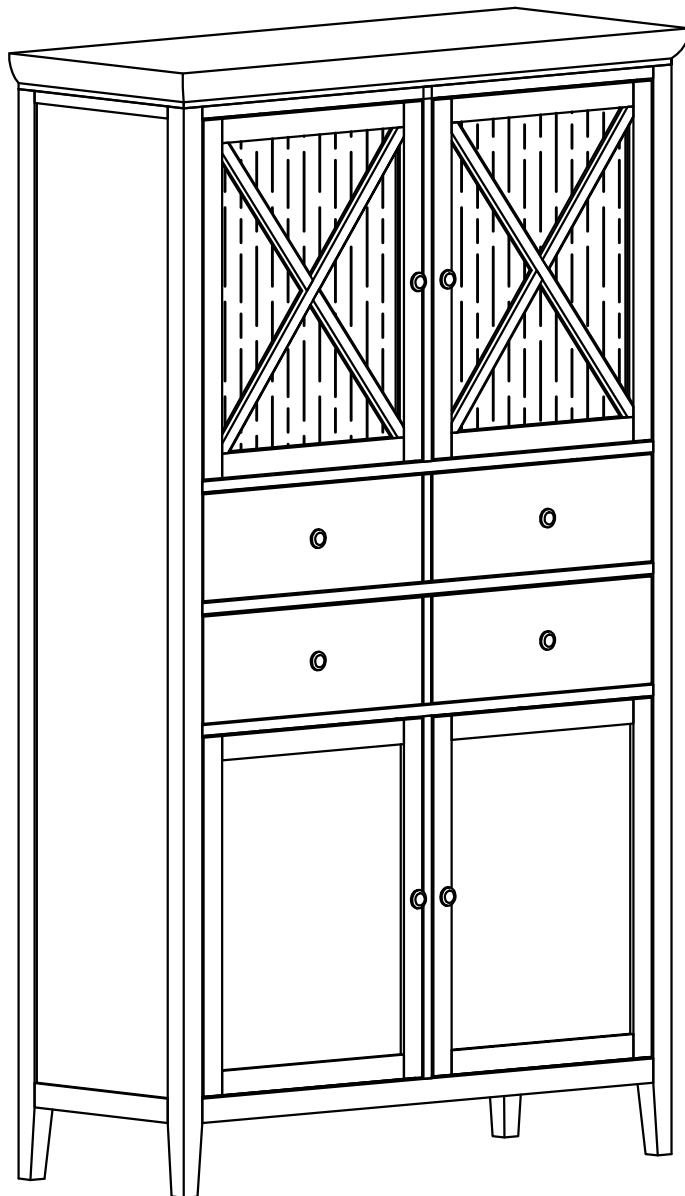


BANAK

NIZA

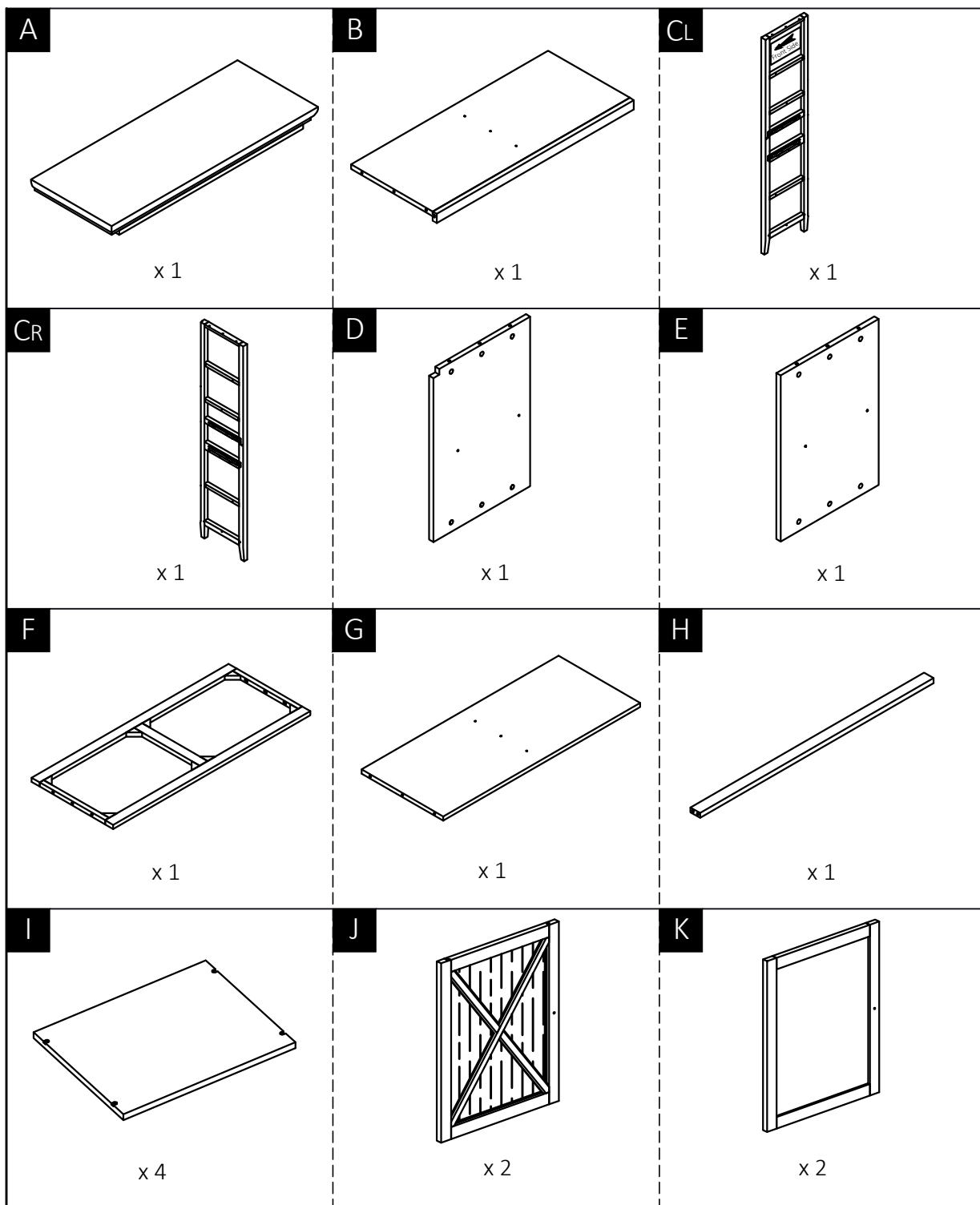
NZ-0106



BANAK

NIZA

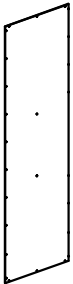
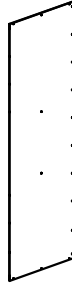
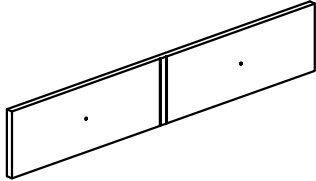
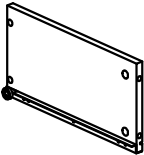
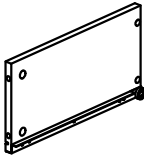
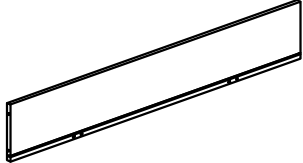
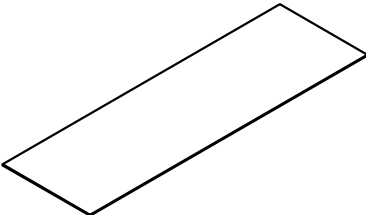

NZ-0106



BANAK

NIZA


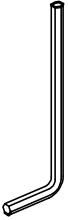
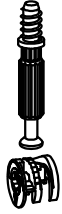
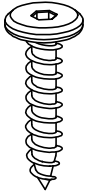
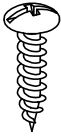
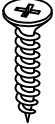

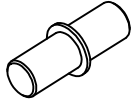
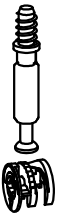
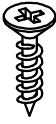
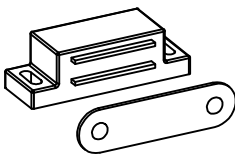
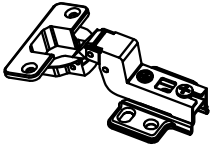
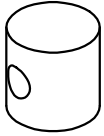
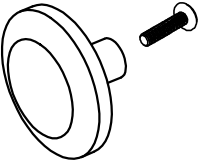

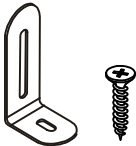
NZ-0106

<p>LL</p>  <p>x 1</p>	<p>LR</p>  <p>x 1</p>	<p>M</p>  <p>x 2</p>
<p>NL</p>  <p>x 2</p>	<p>NR</p>  <p>x 2</p>	<p>O</p>  <p>x 2</p>
<p>P</p>  <p>x 2</p>	<p>Q</p>  <p>x 4</p>	

BANAK

NIZA

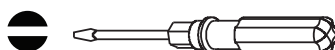
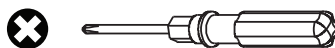
NZ-0106

<p>1</p>  <p>Ø8 X 30mm x 4</p>	<p>2</p>  <p>x 1</p>	<p>3</p>  <p>x 24</p>	<p>4</p>  <p>M6 X 30mm x 12</p>
<p>5</p>  <p>M4 X 15mm x 44</p>	<p>6</p>  <p>M3 X 15mm x 16</p>	<p>7</p>  <p>M4 X 30mm x 8</p>	<p>8</p>  <p>x 16</p>
<p>9</p>  <p>x 8</p>	<p>10</p>  <p>M4 X 15mm x 48</p>	<p>11</p>  <p>x 4</p>	<p>12</p>  <p>x 8</p>
<p>13</p>  <p>M8 X 8mm x 8</p>	<p>14</p>  <p>x 8</p>	<p>15</p>  <p>Ø6 X 30mm x 16</p>	<p>16</p>  <p>x 2</p>

17



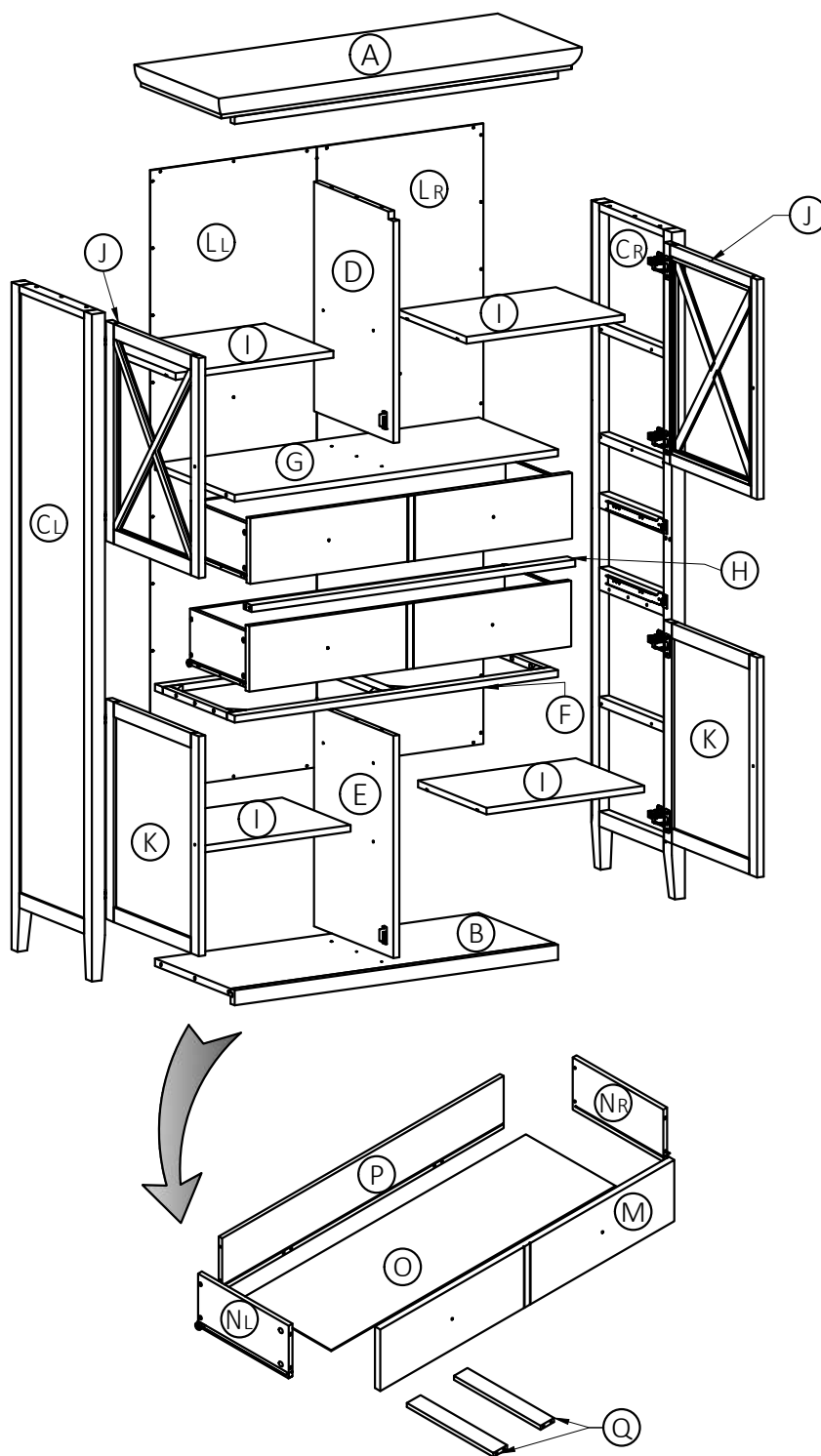
x 12



BANAK

NIZA

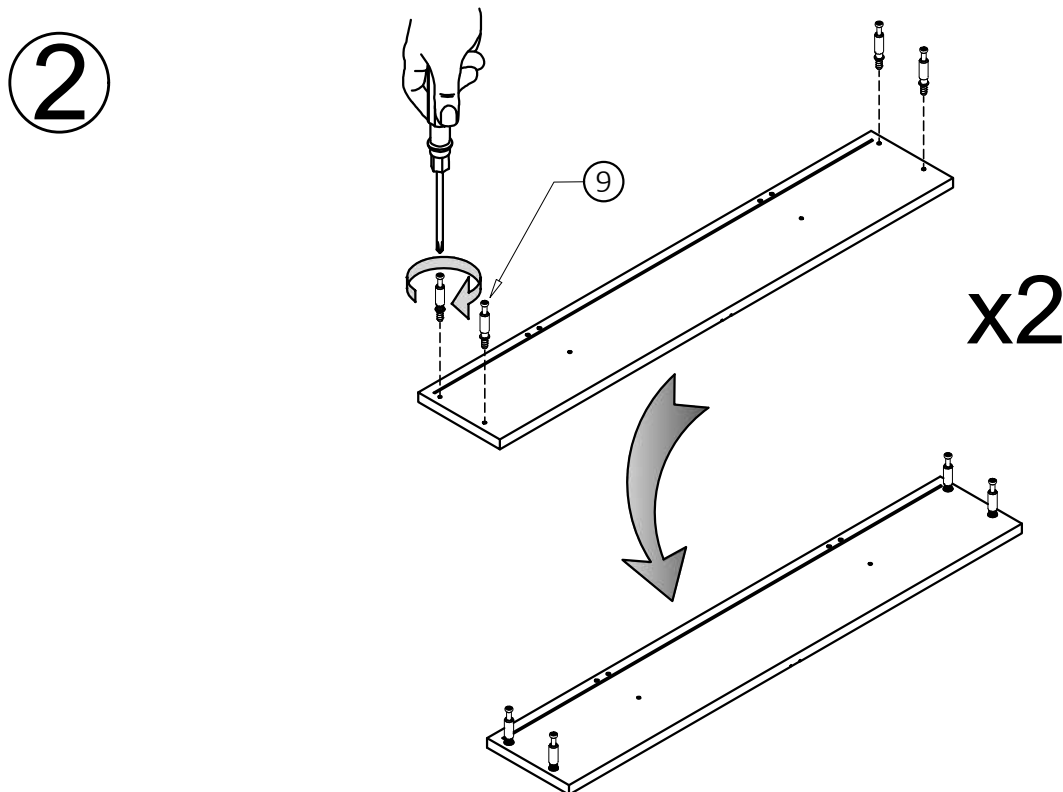
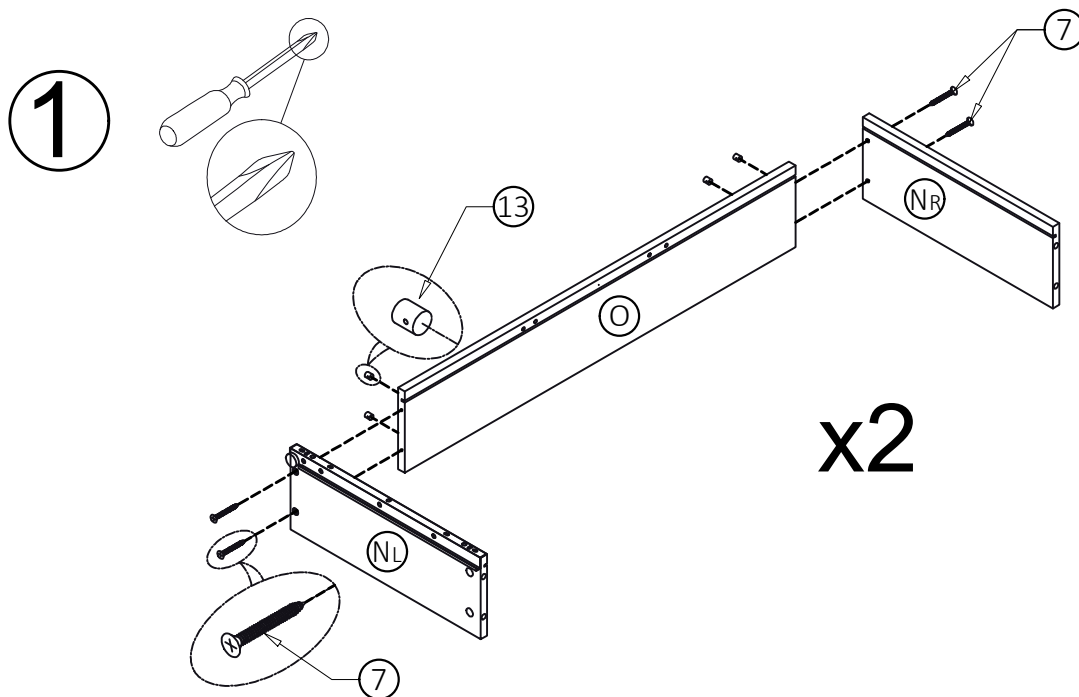
NZ-0106



BANAK

NIZA

NZ-0106

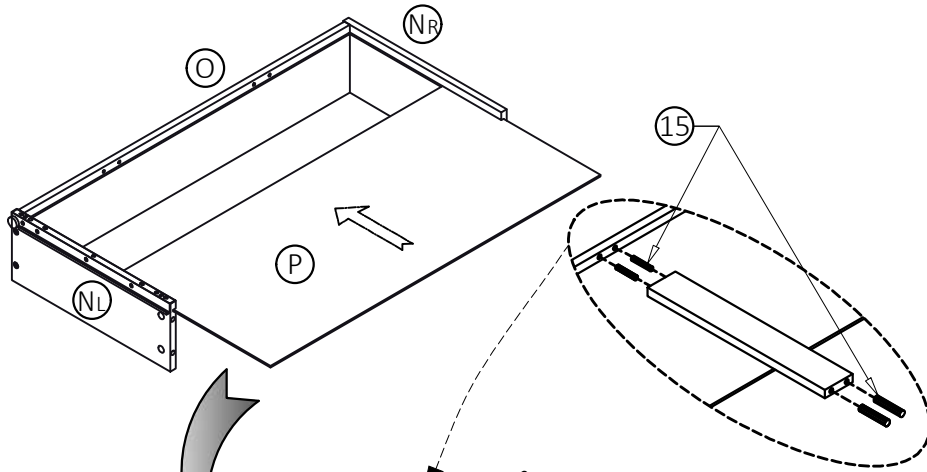


BANAK

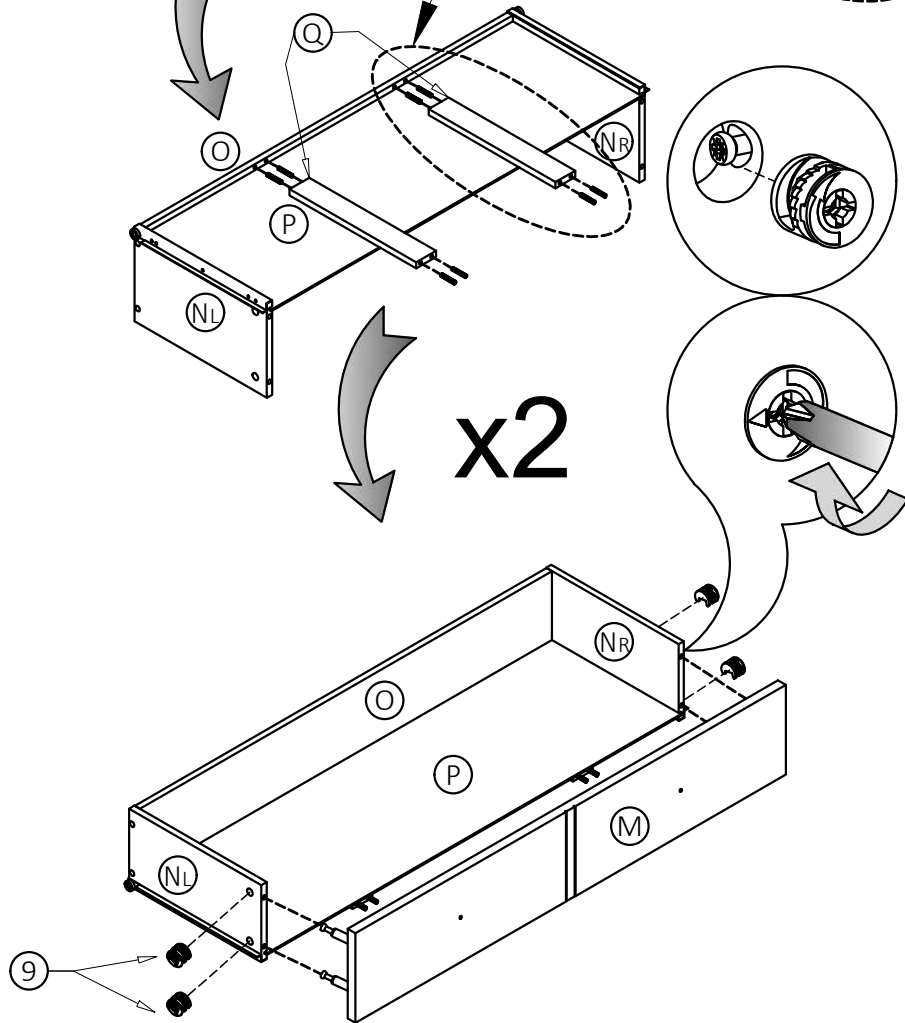
NIZA

NZ-0106

3



4

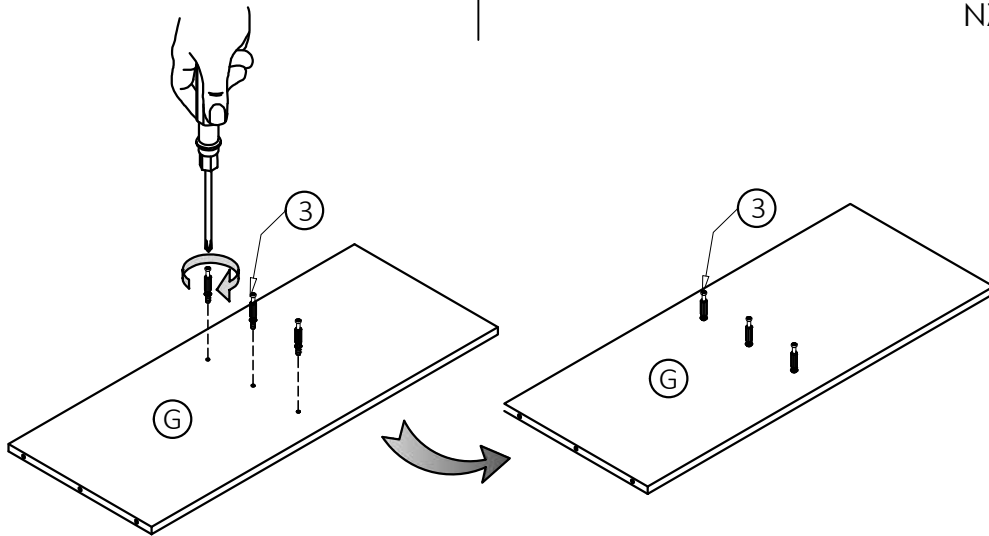


BANAK

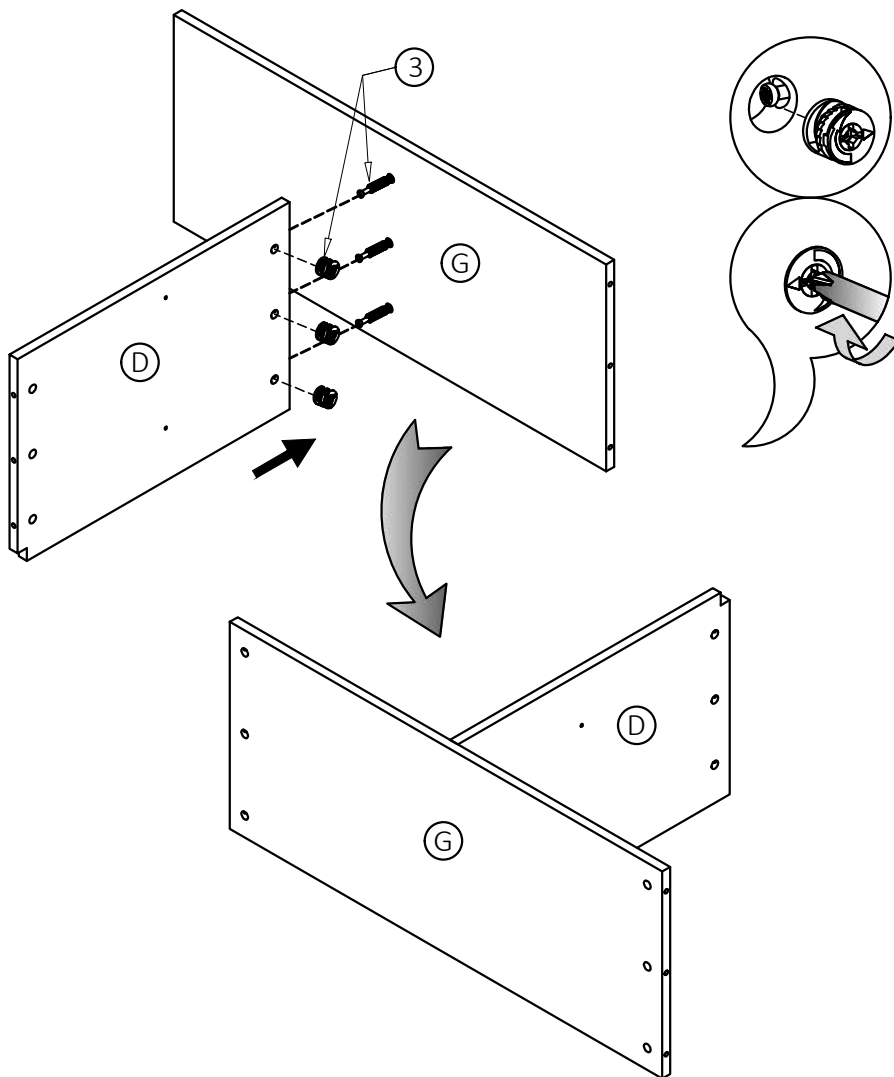
NIZA

NZ-0106

5



6

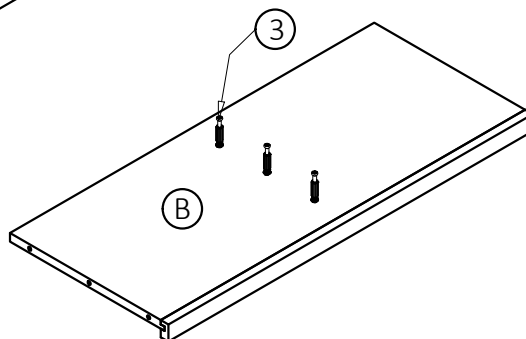
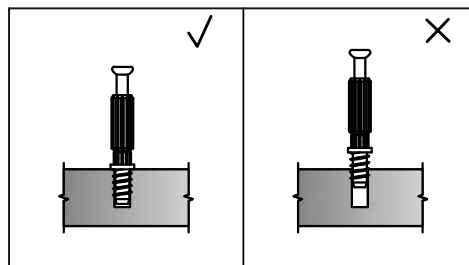
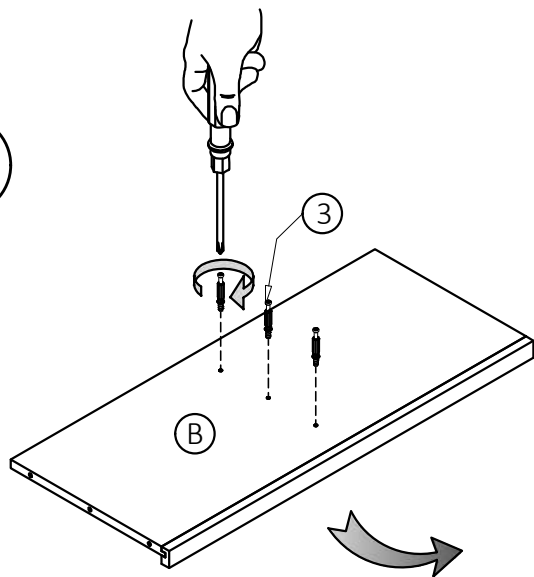


BANAK

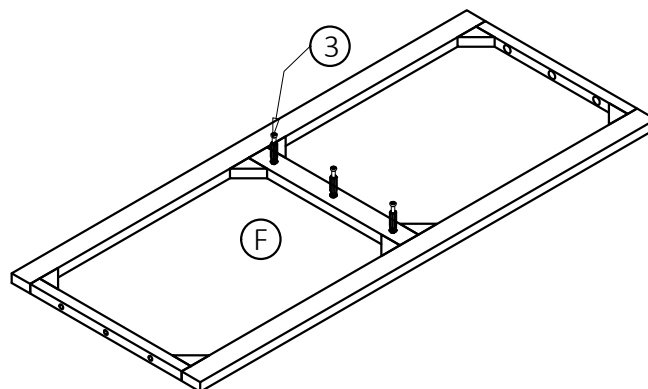
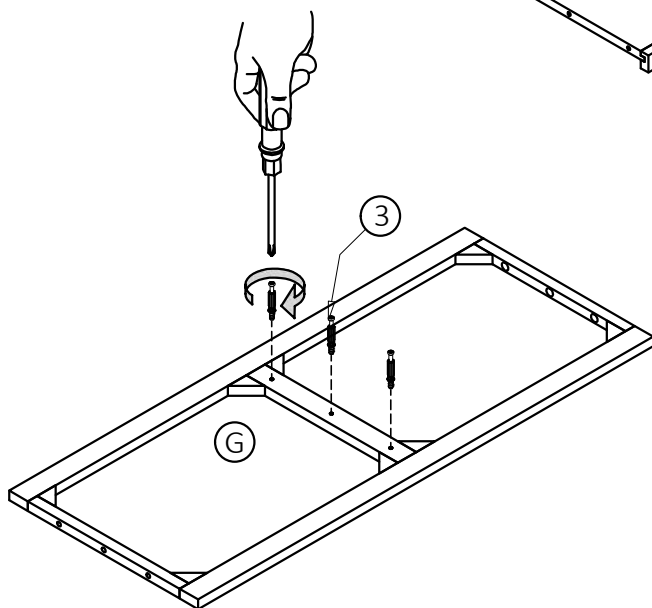
NIZA

NZ-0106

7



8

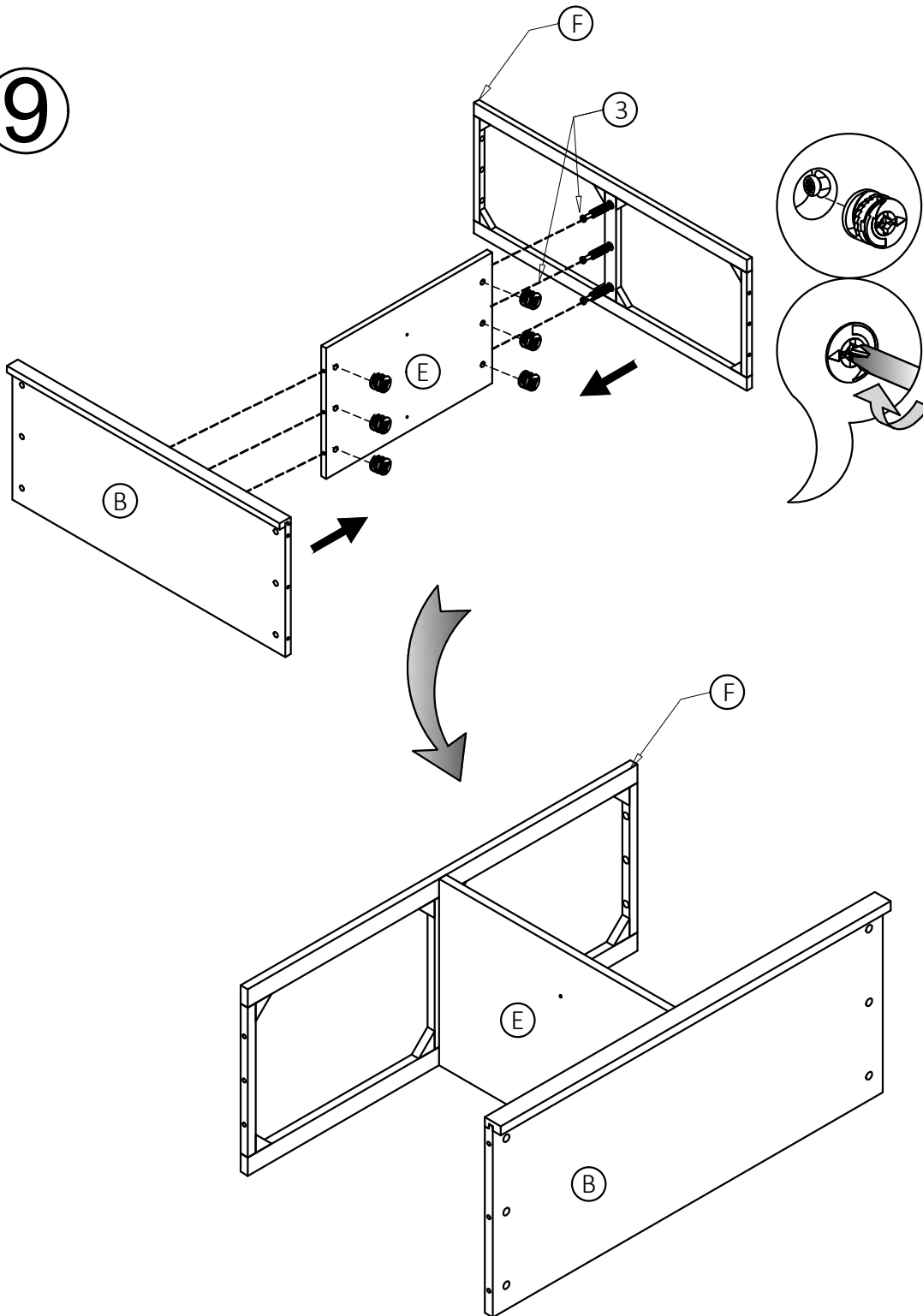


BANAK

NIZA

NZ-0106

9

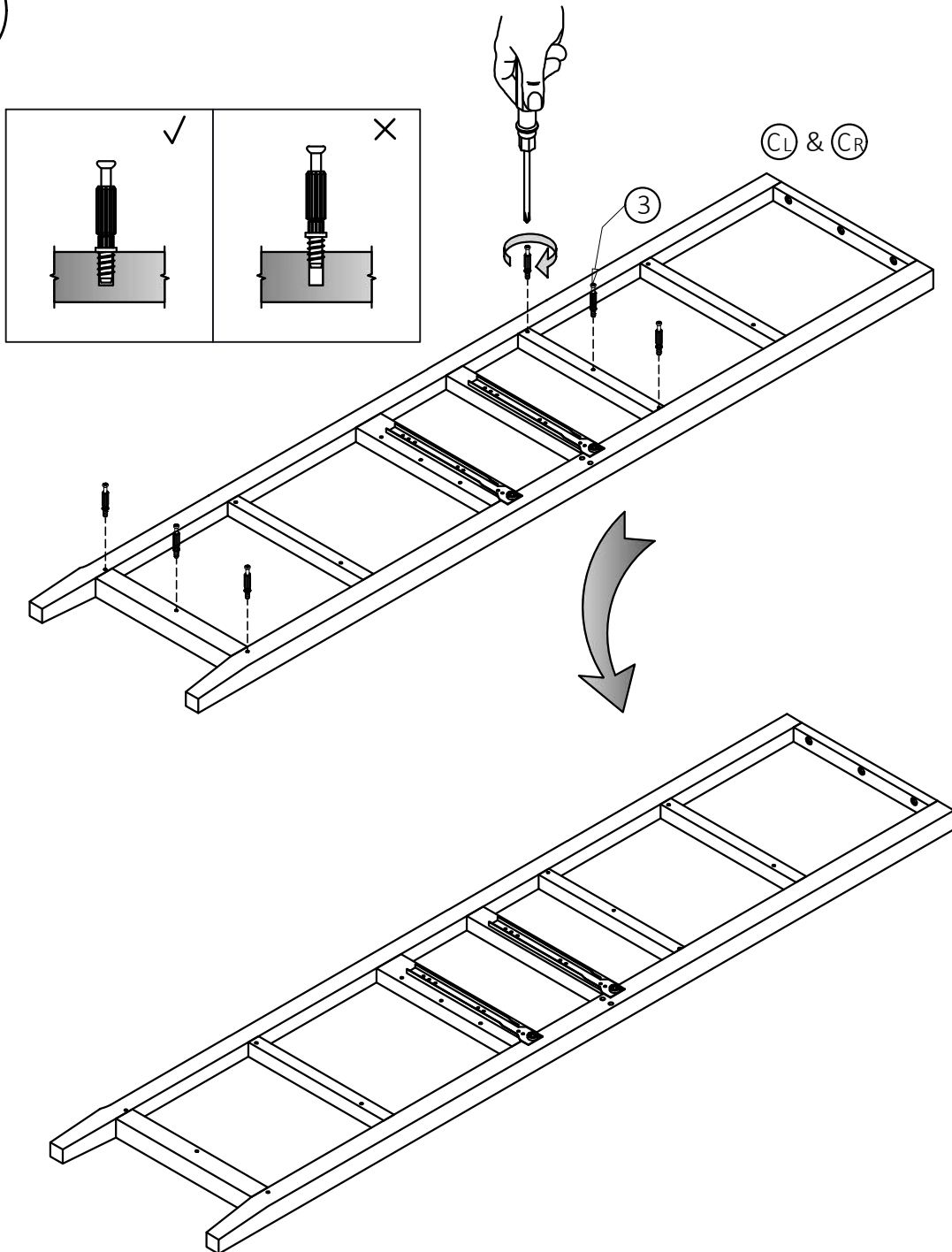


BANAK

NIZA

NZ-0106

10

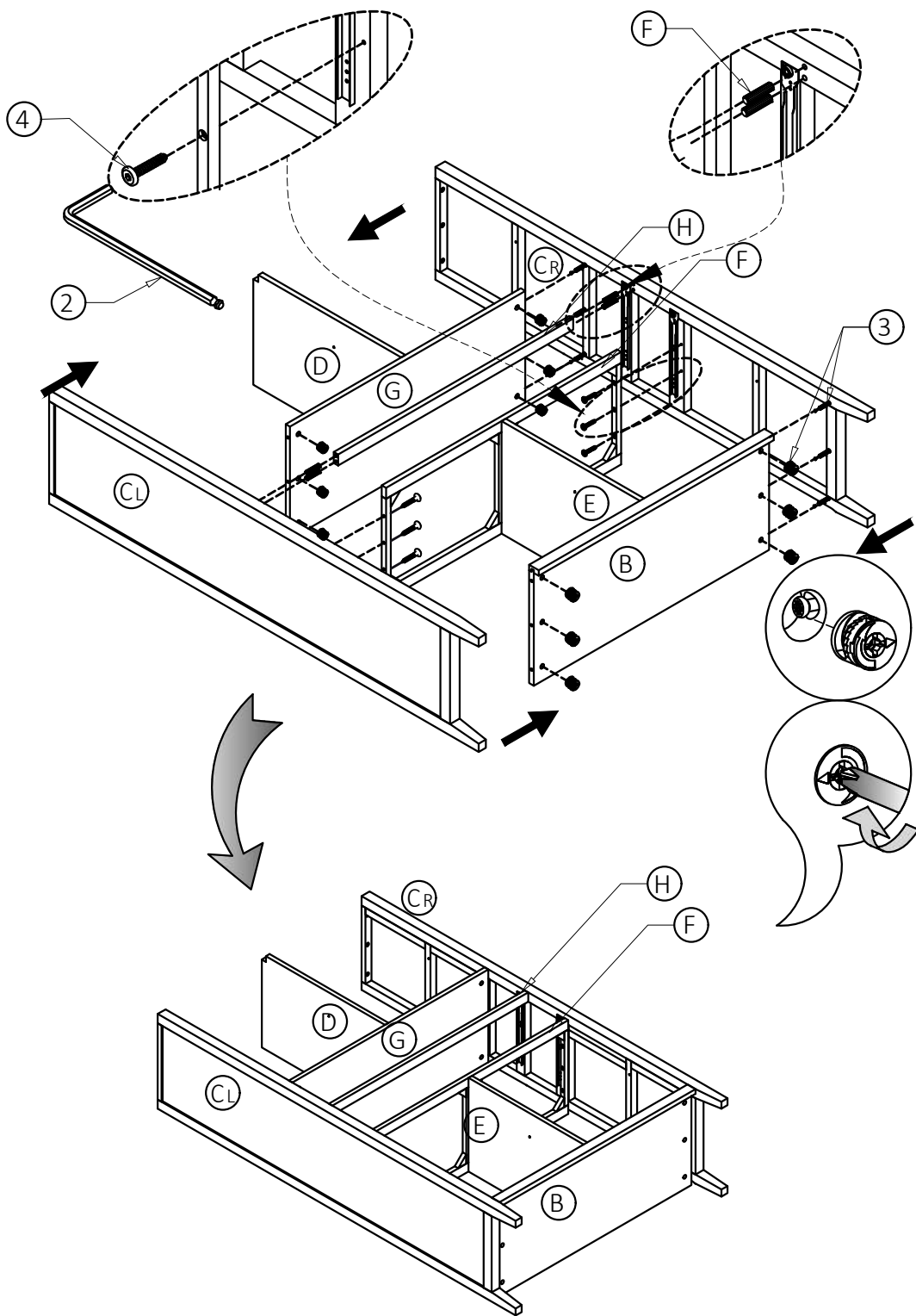


BANAK

NIZA

NZ-0106

11

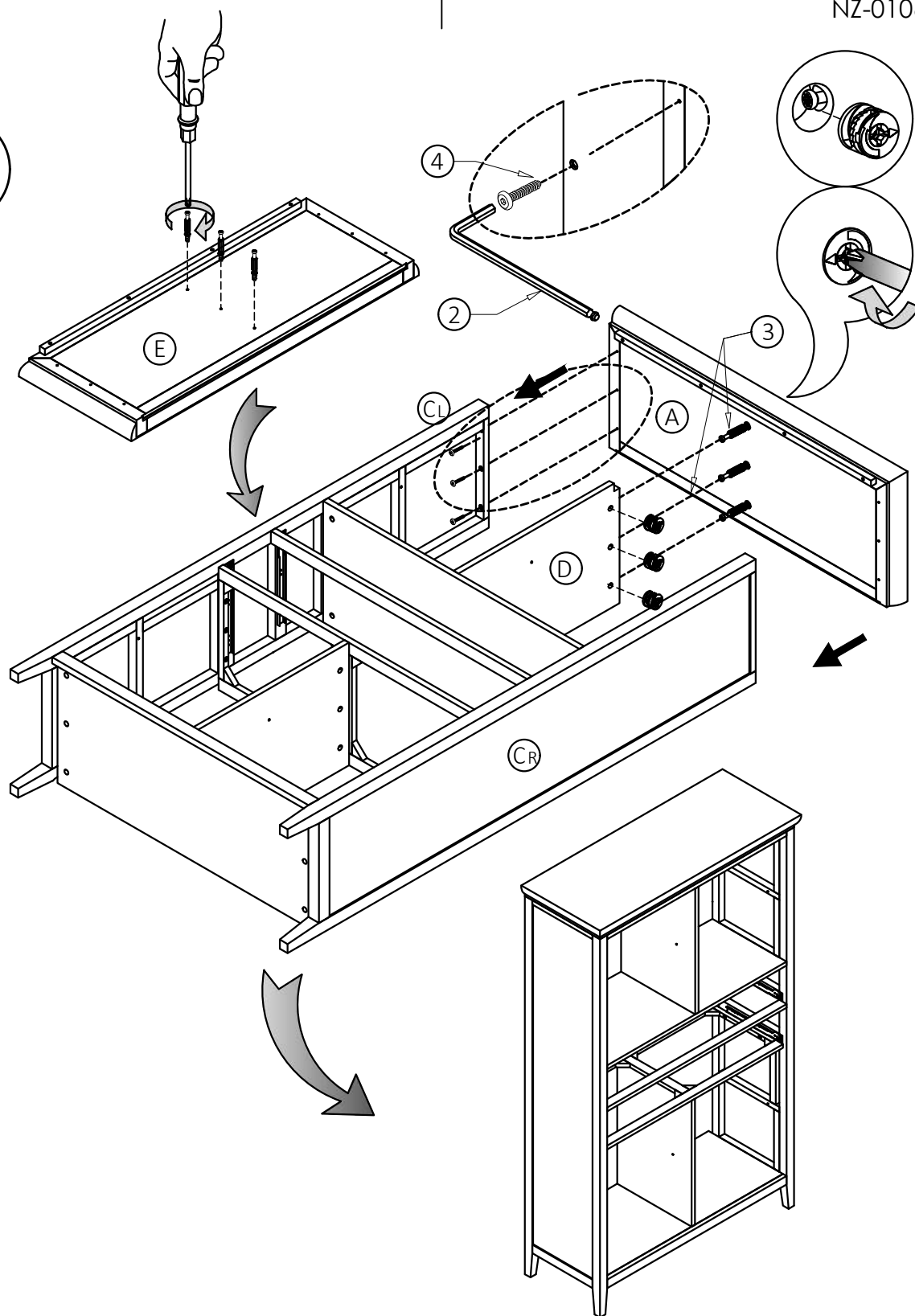


BANAK

NIZA

NZ-0106

12

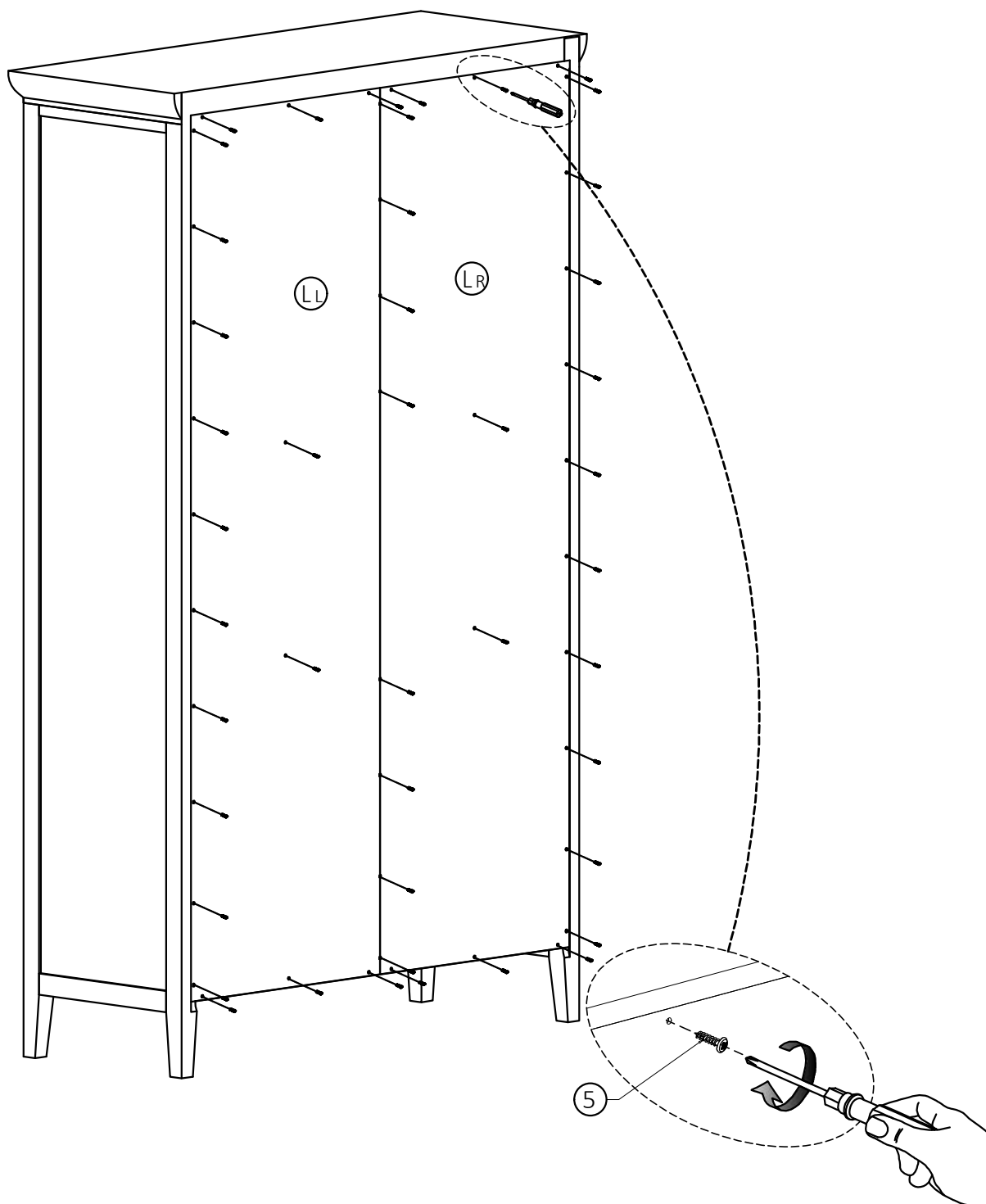


BANAK

NIZA

NZ-0106

13

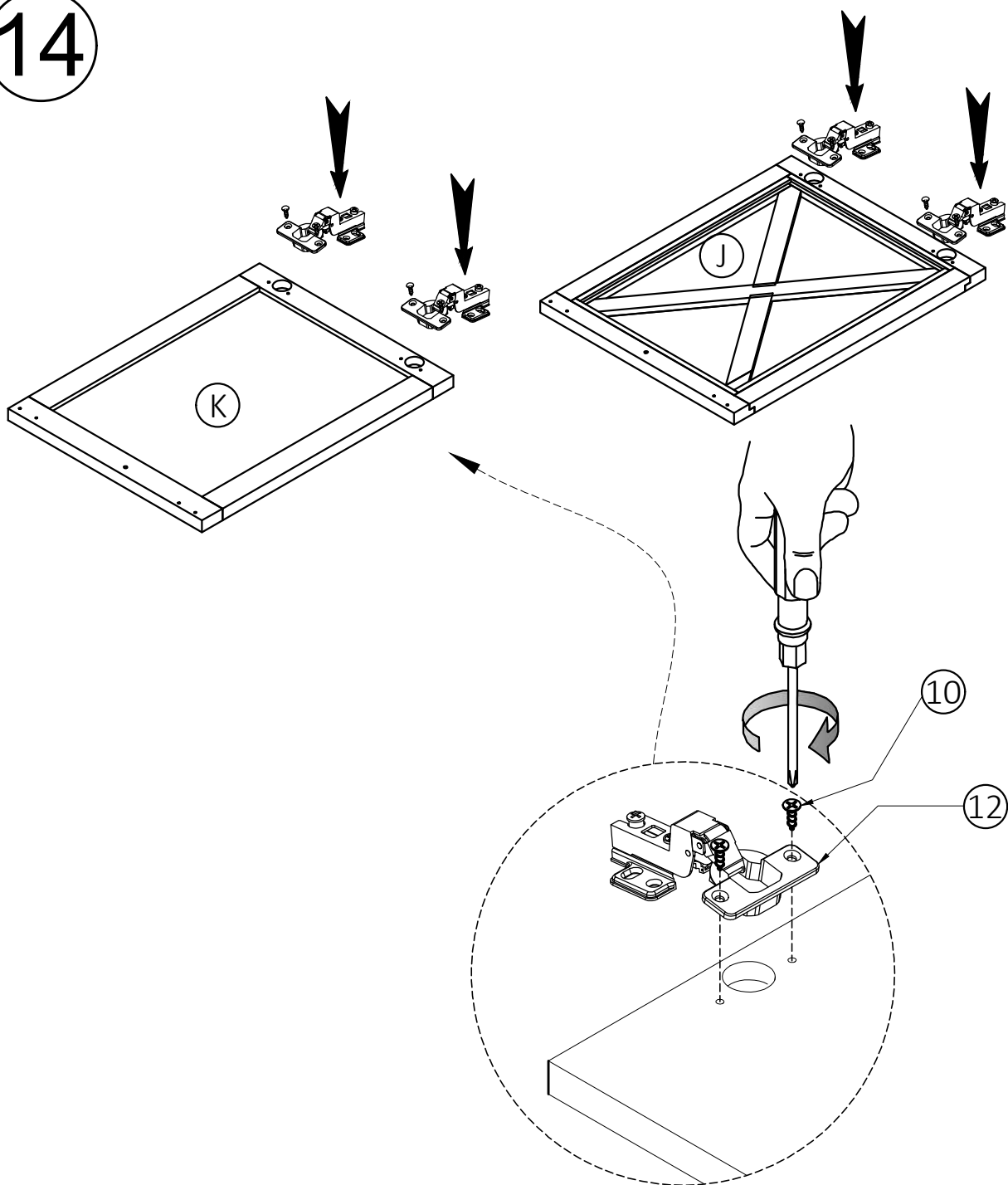


BANAK

NIZA

NZ-0106

14

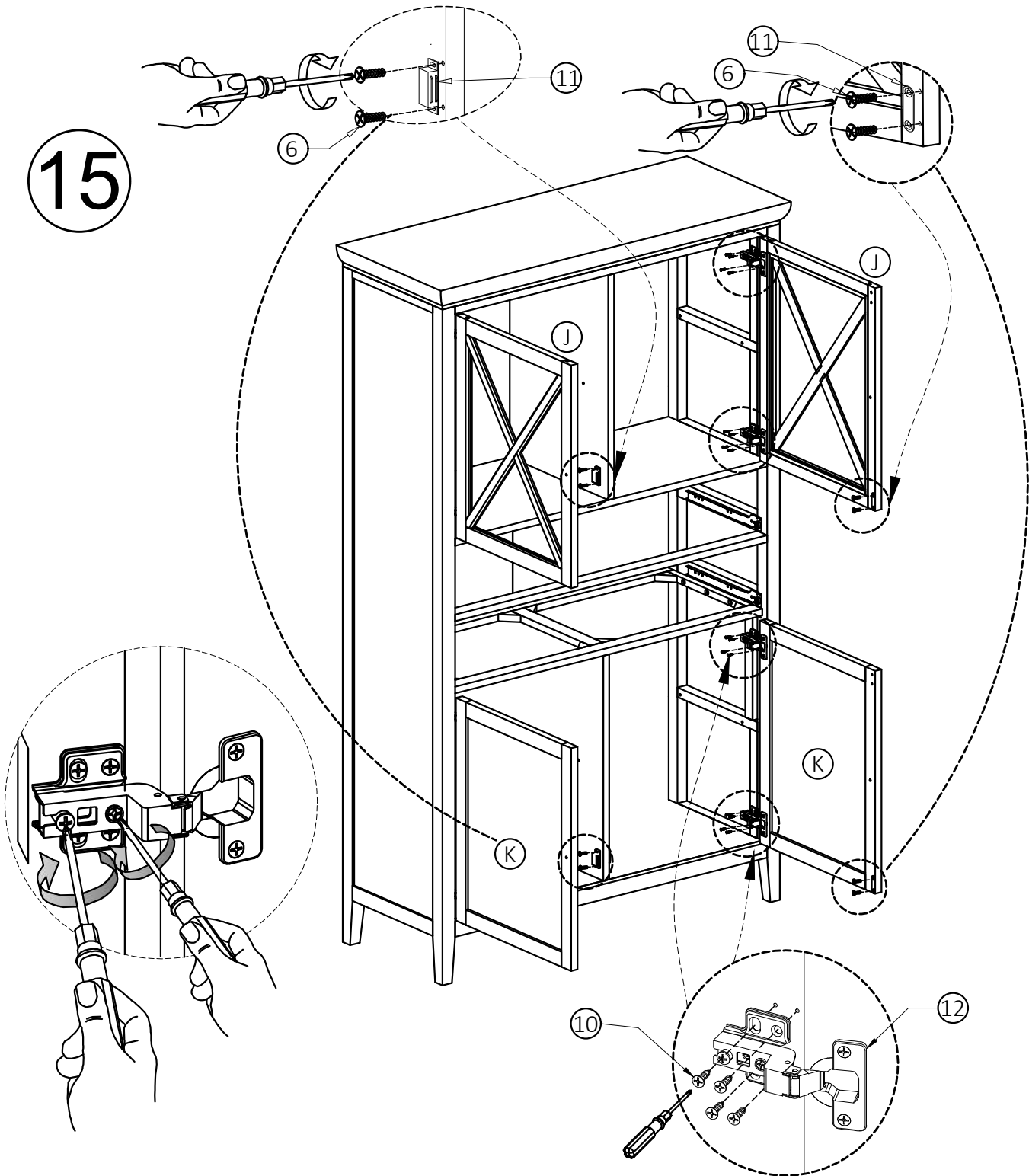


BANAK

NIZA

NZ-0106

15

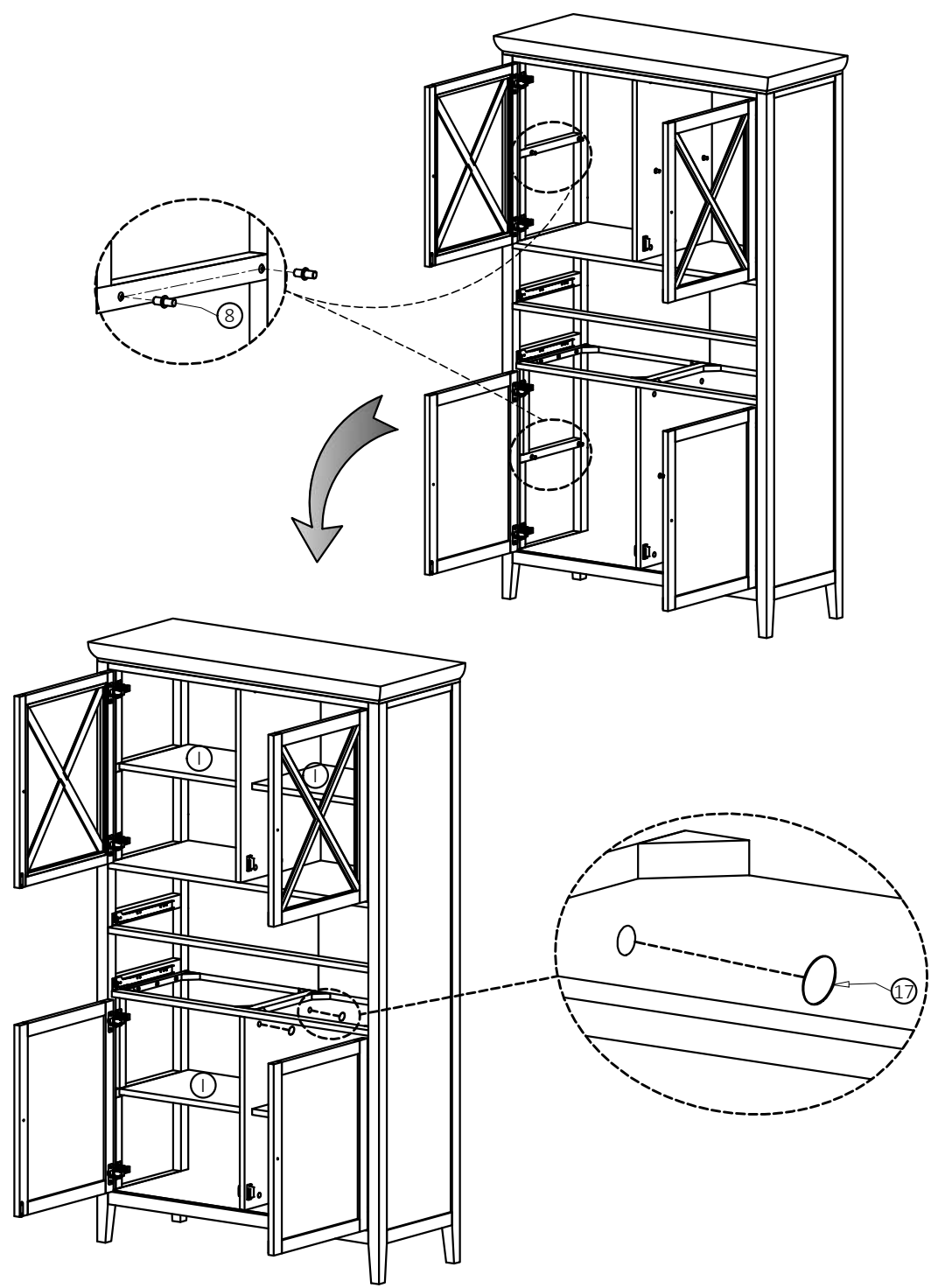


BANAK

NIZA

NZ-0106

16

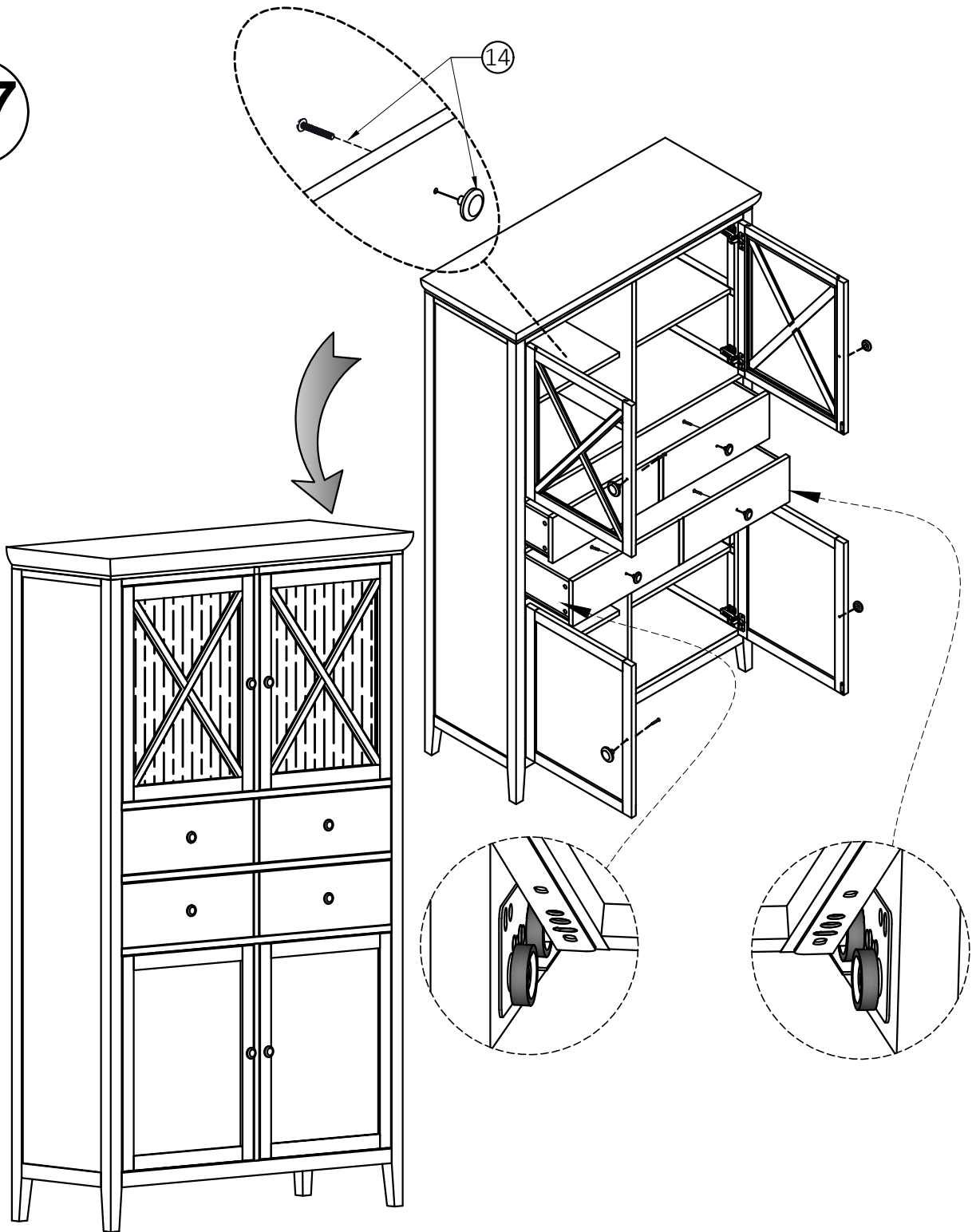


BANAK

NIZA

NZ-0106

17



BANAK

NIZA

NZ-0106

18

