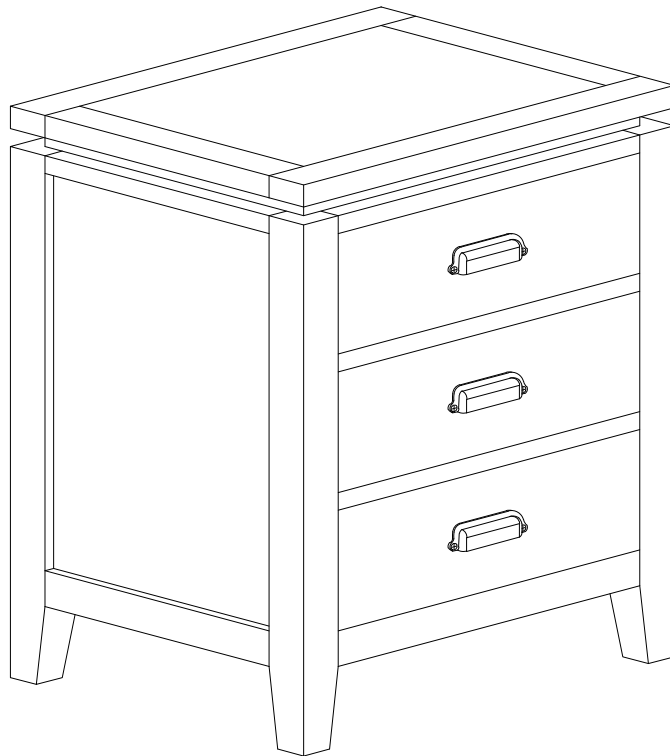


BANAK

AVELIN

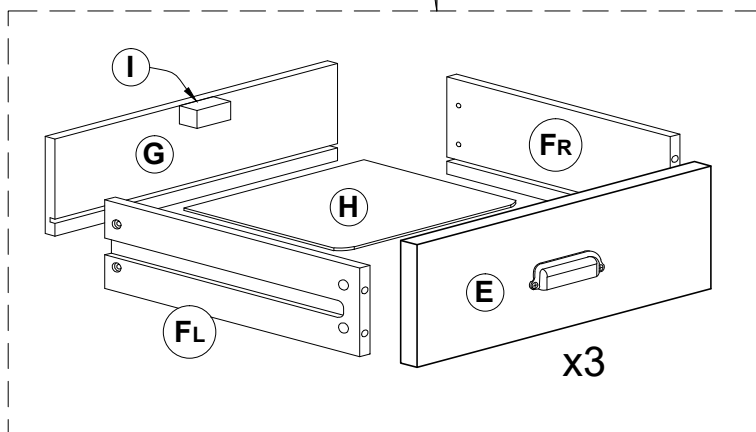
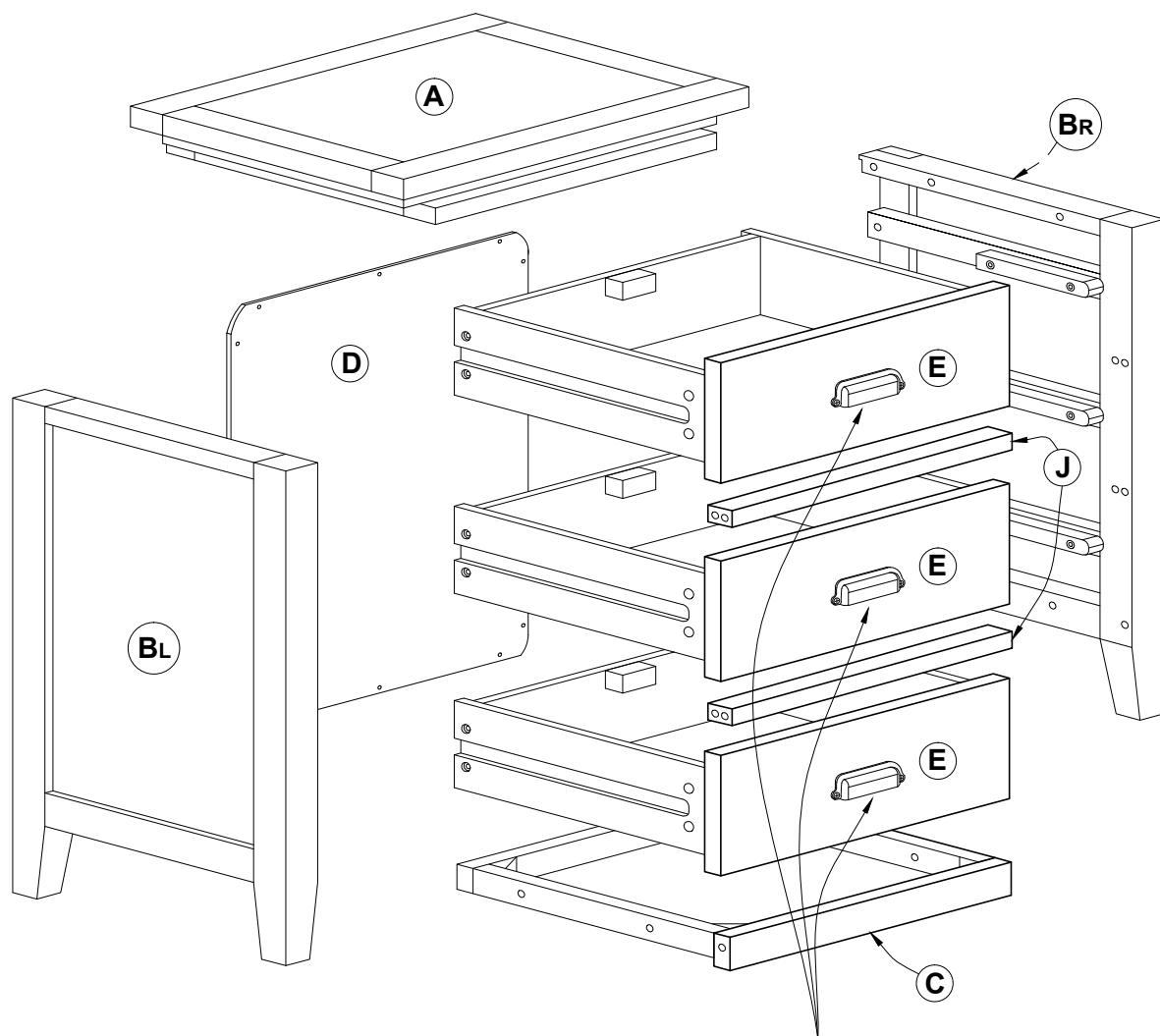
AL-0002B-A-2



BANAK

AVELIN

AL-0002B-A-2

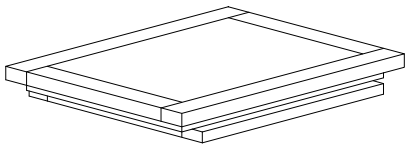


BANAK

AVELIN

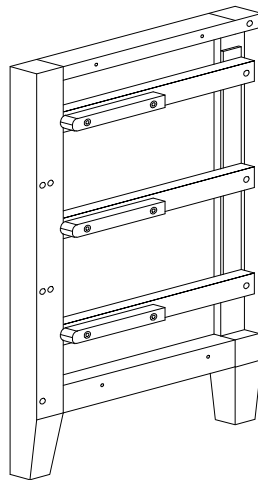
AL-0002B-A-2

A



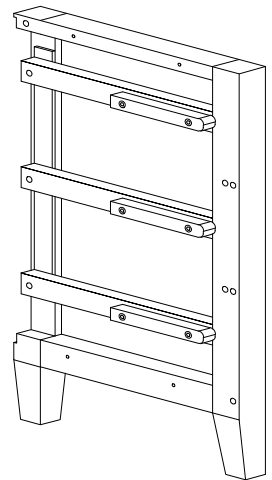
x1

BL



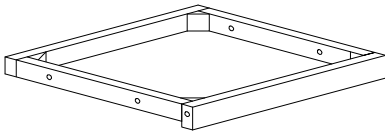
x1

BR



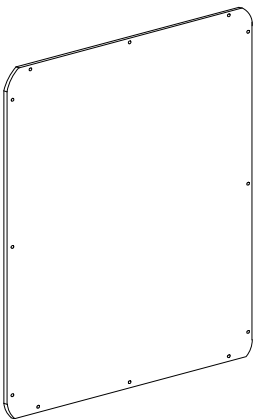
x1

C



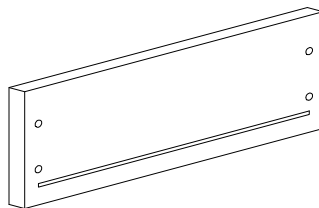
x1

D



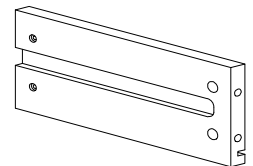
x1

E



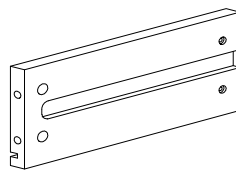
x3

FL



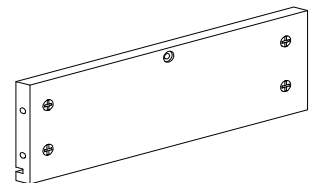
x3

FR



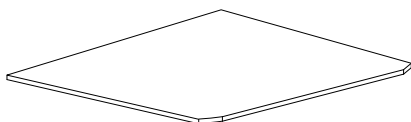
x3

G



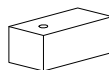
x3

H



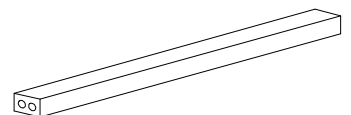
x3

I



x3

J

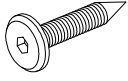
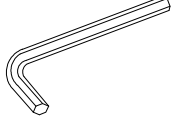
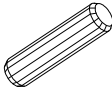
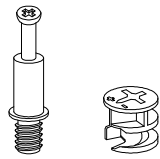
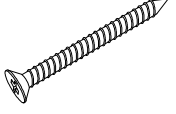
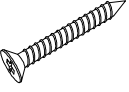
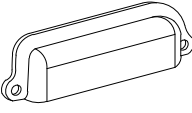

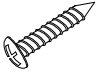


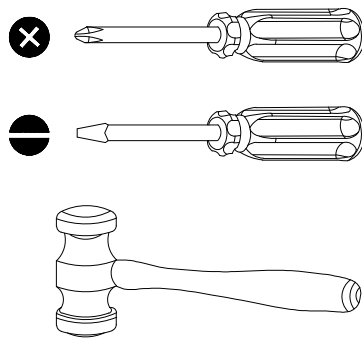
x2

BANAK

AVELIN

AL-0002B-A-2

1  x8 M6x30	2  x1 4mm	3  x10 Ø8x30	4  x12 Ø6 x12 Ø12x10	5  x12 M4x40	6  x3 M4x25
7  x3 HANDLE	 x6 M3x15	8  x12 M3.5x15			

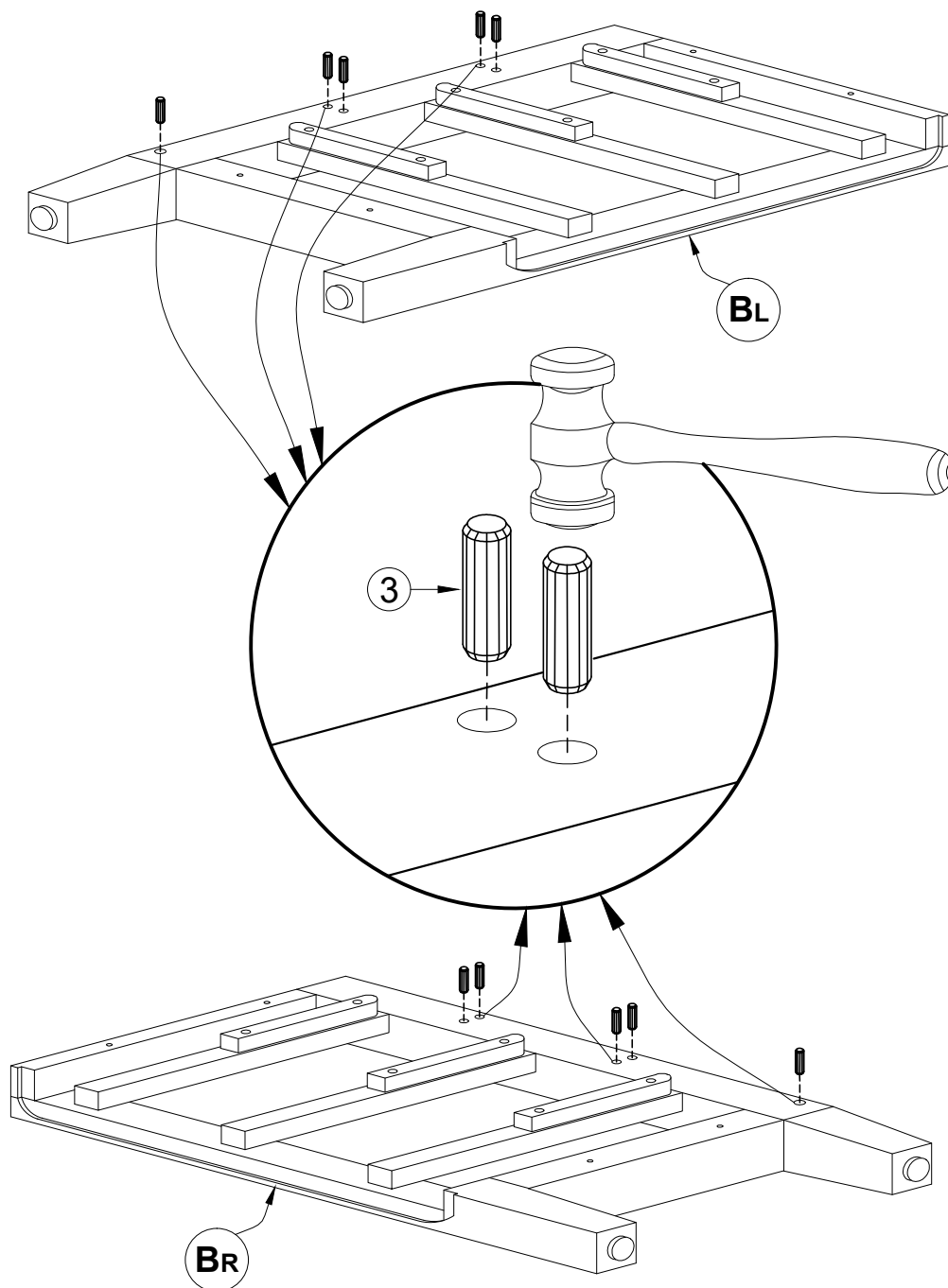


BANAK

AVELIN

AL-0002B-A-2

1

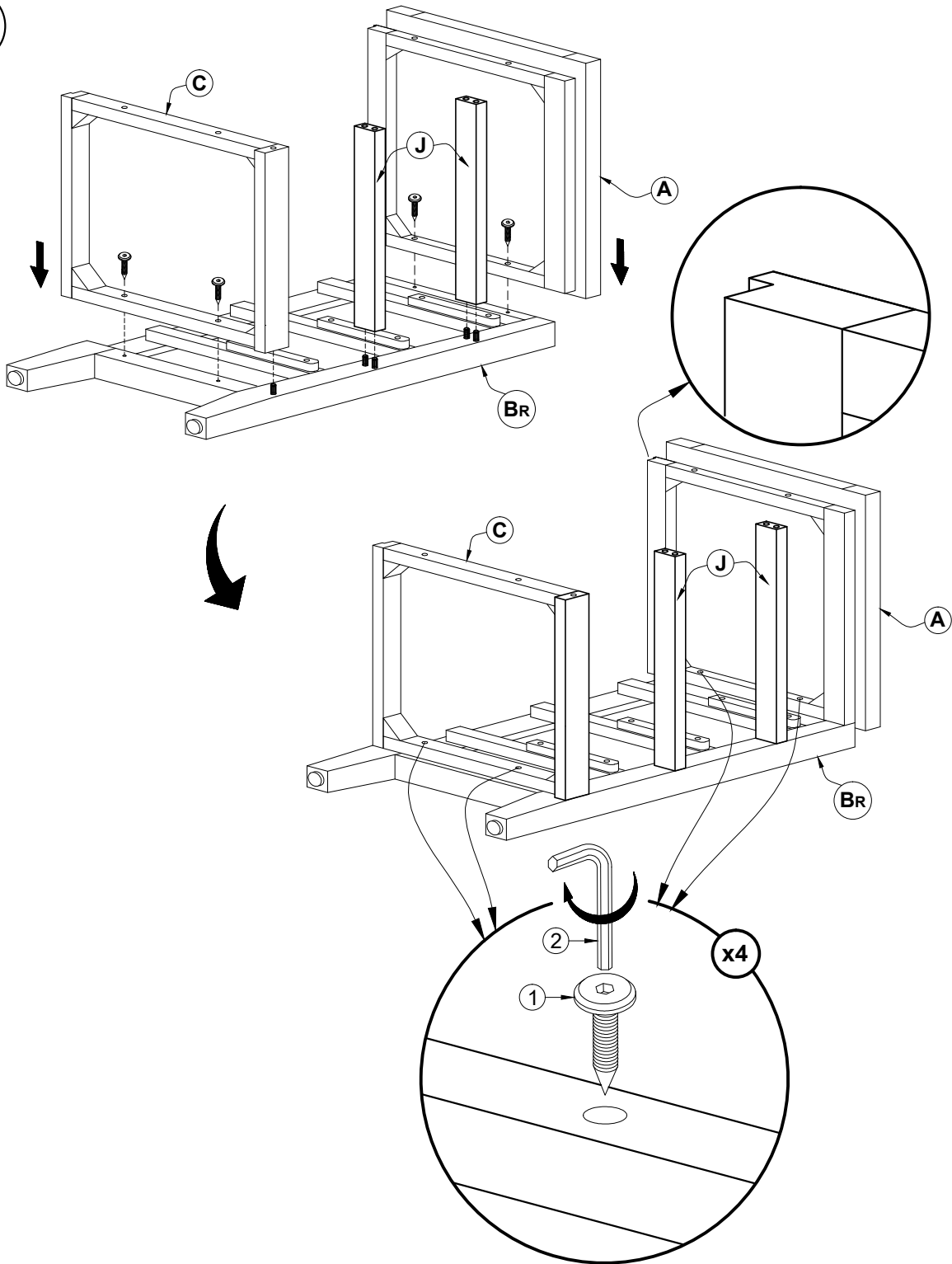


BANAK

AVELIN

AL-0002B-A-2

2

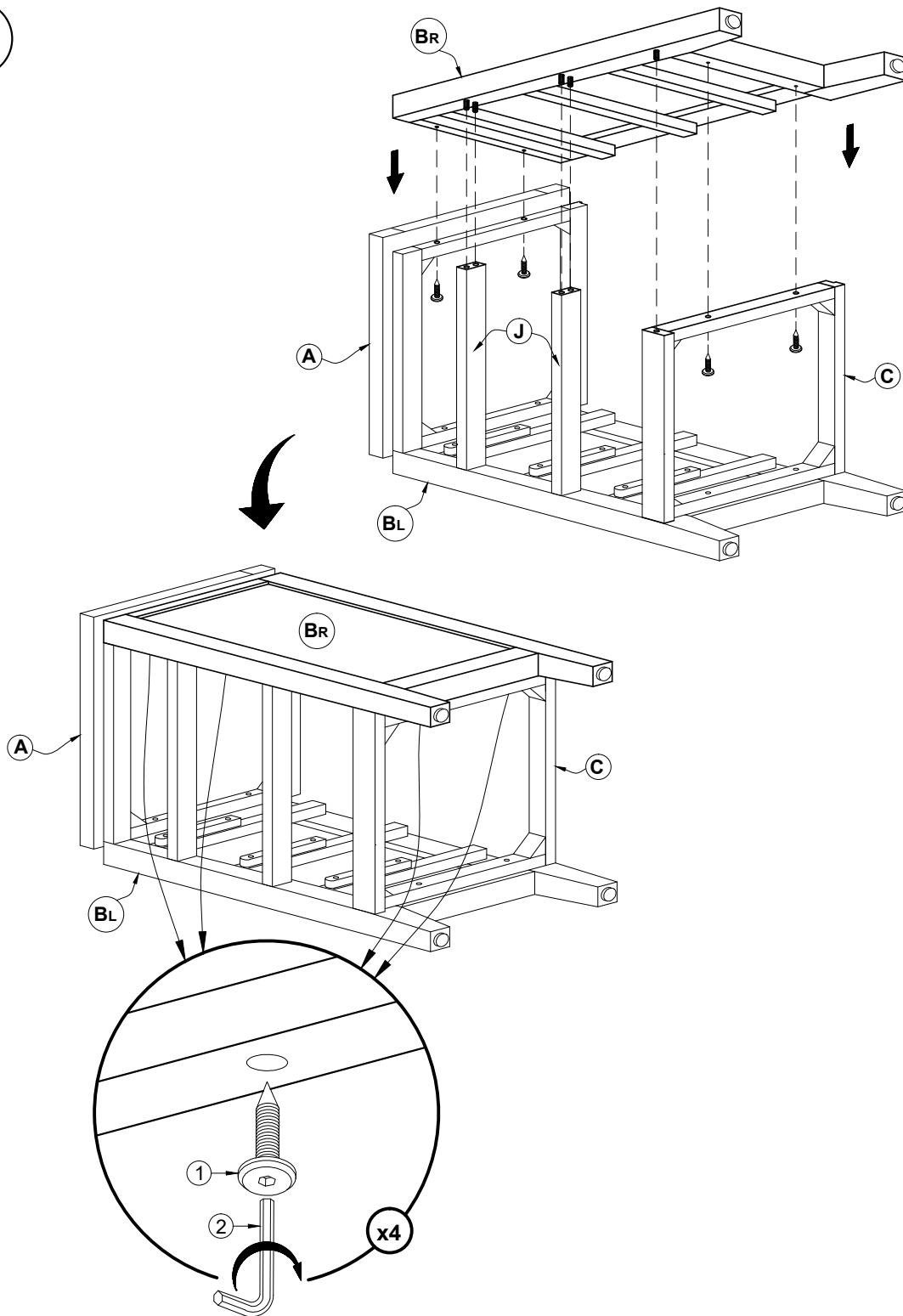


BANAK

AVELIN

AL-0002B-A-2

3

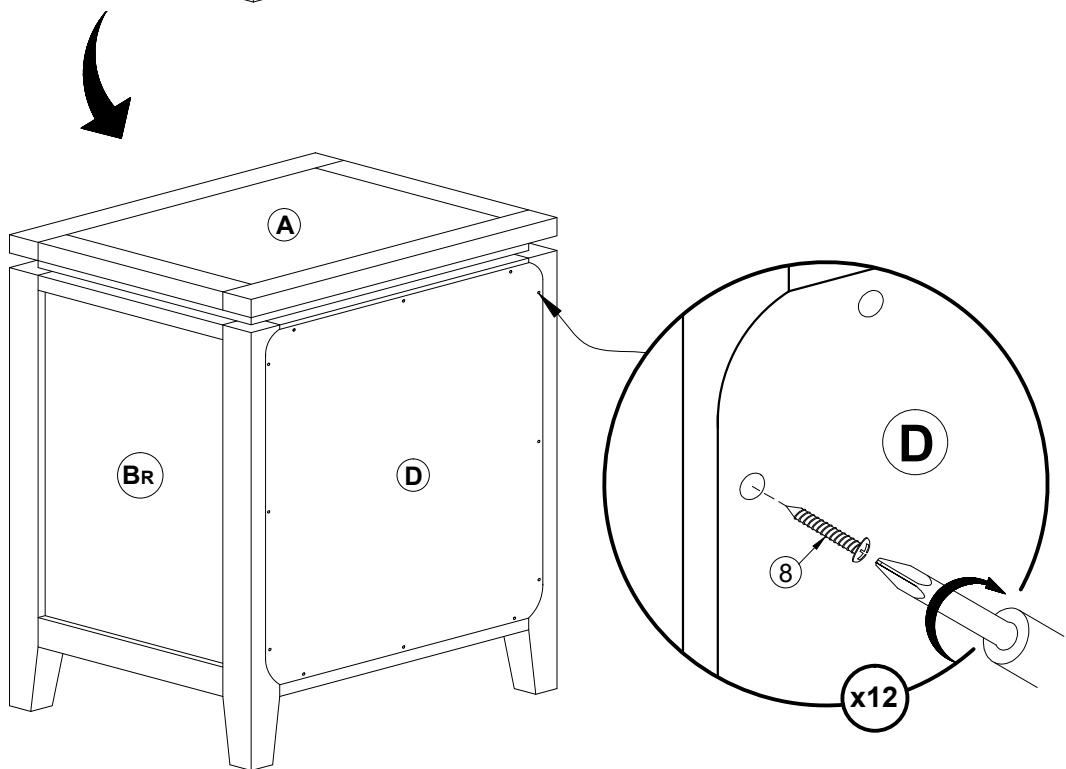
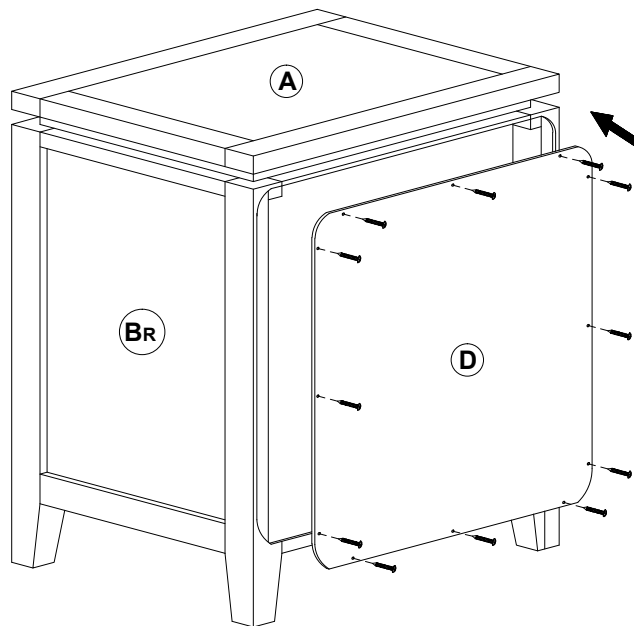


BANAK

AVELIN

AL-0002B-A-2

4

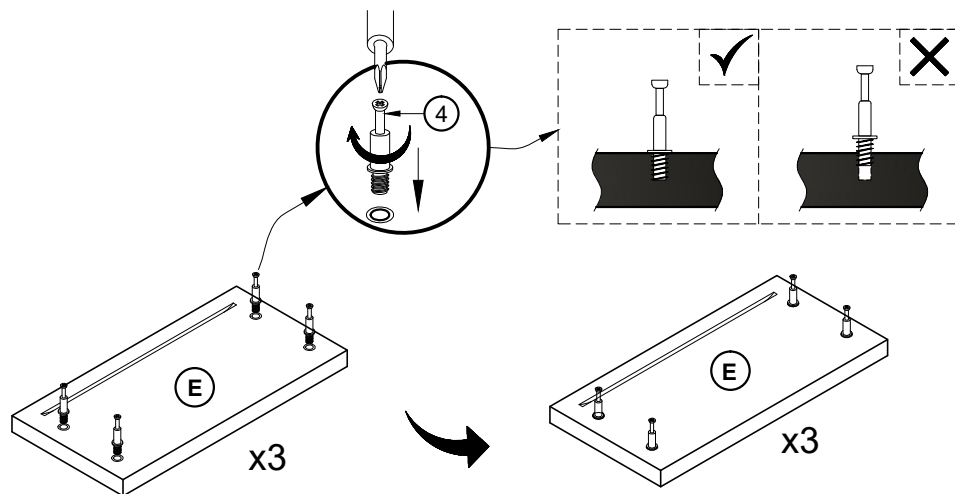


BANAK

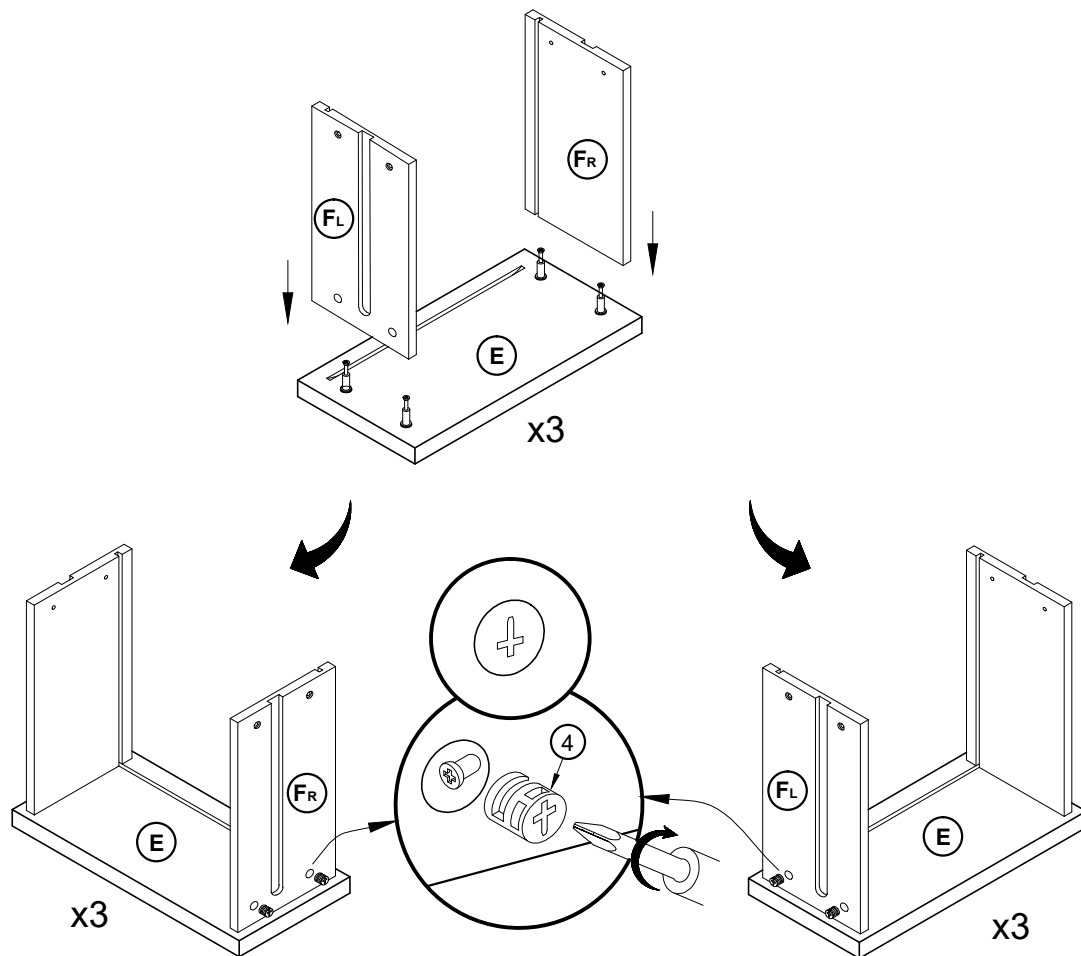
AVELIN

AL-0002B-A-2

5



6

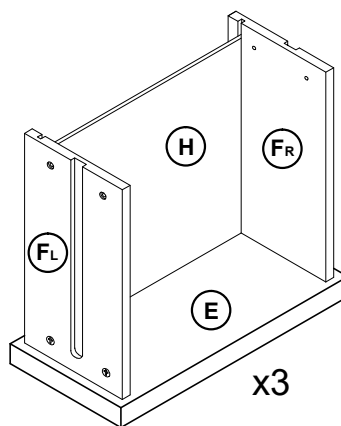
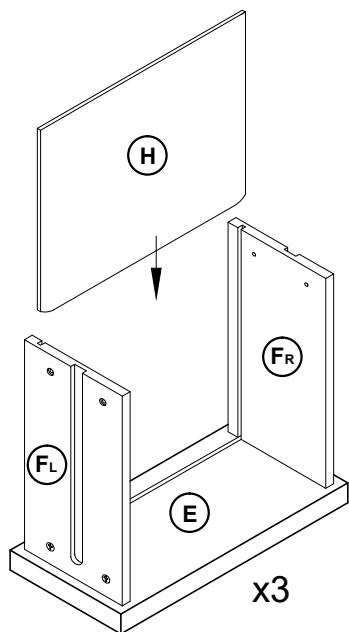


BANAK

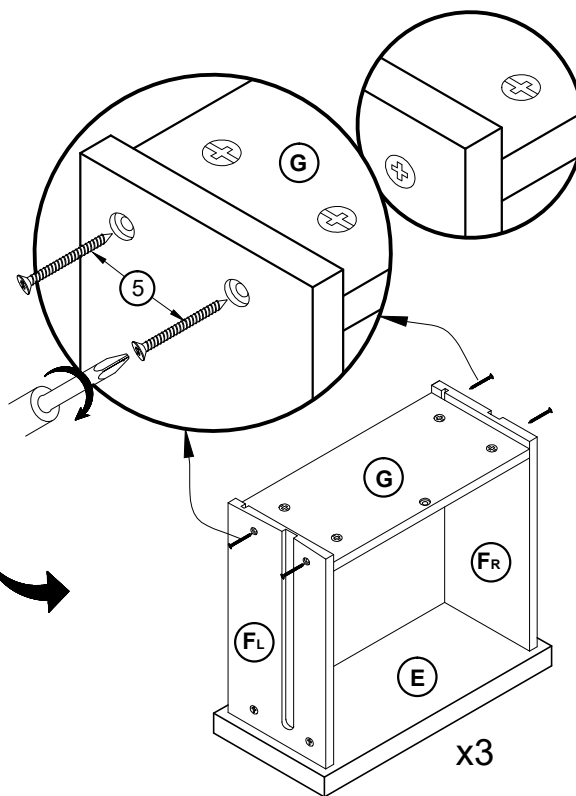
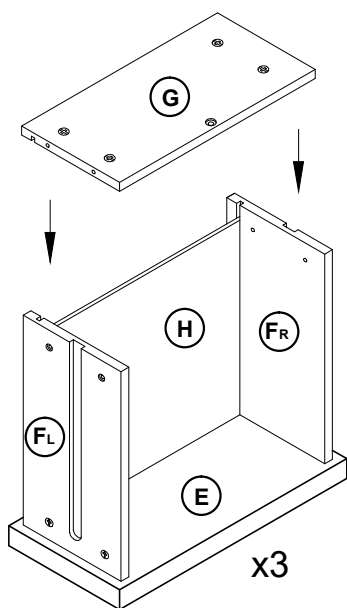
AVELIN

AL-0002B-A-2

7



8

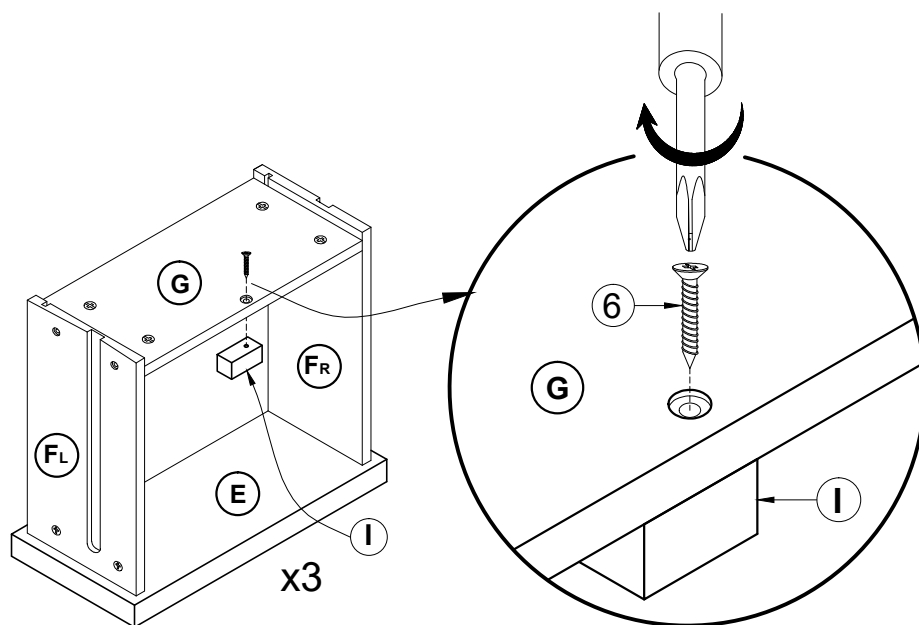


BANAK

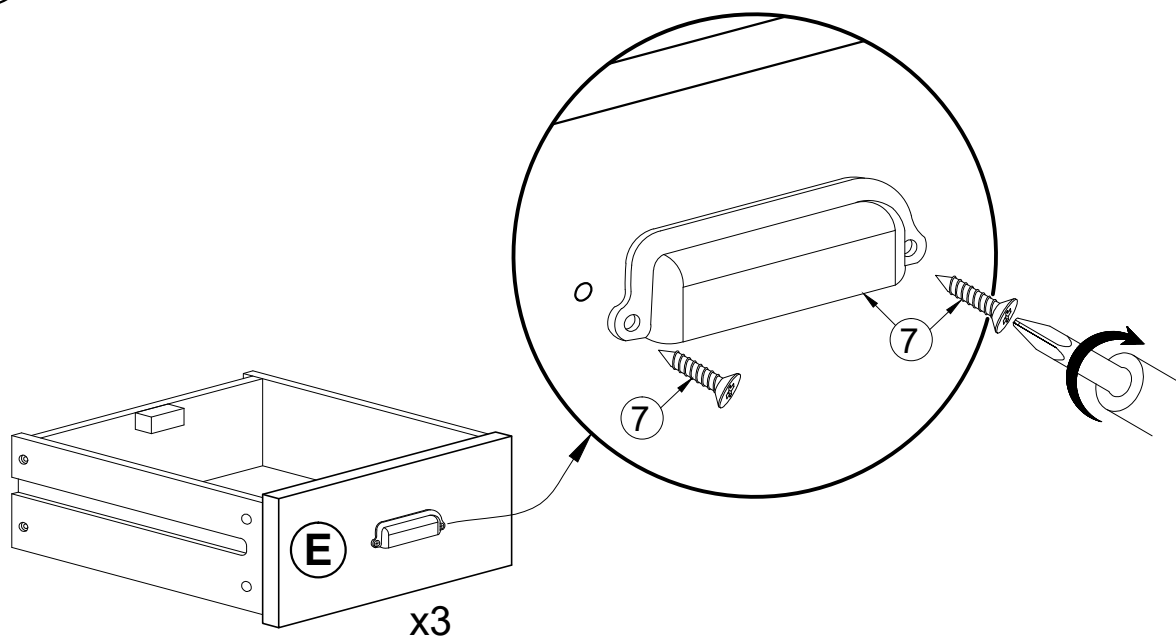
AVELIN

AL-0002B-A-2

9



10

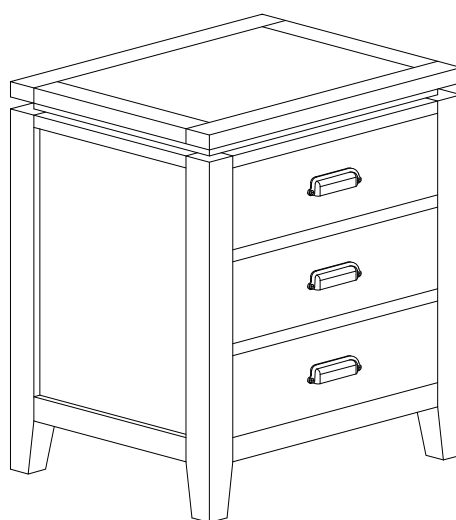
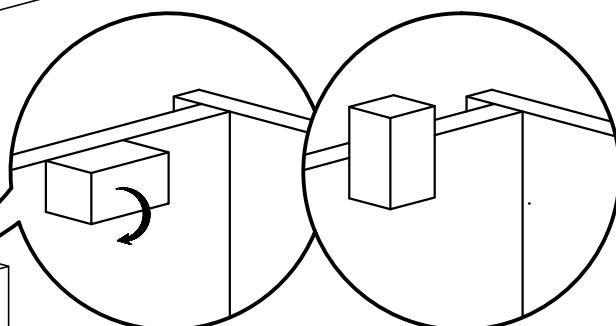
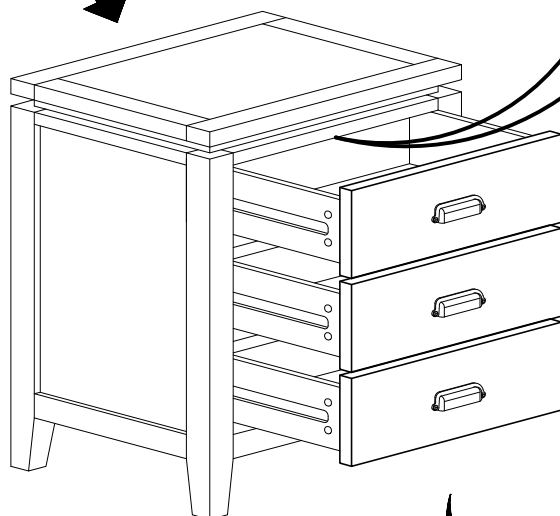
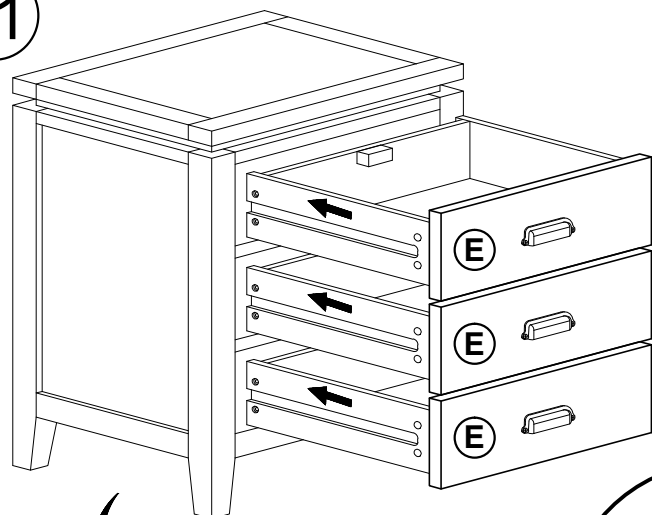


BANAK

AVELIN

AL-0002B-A-2

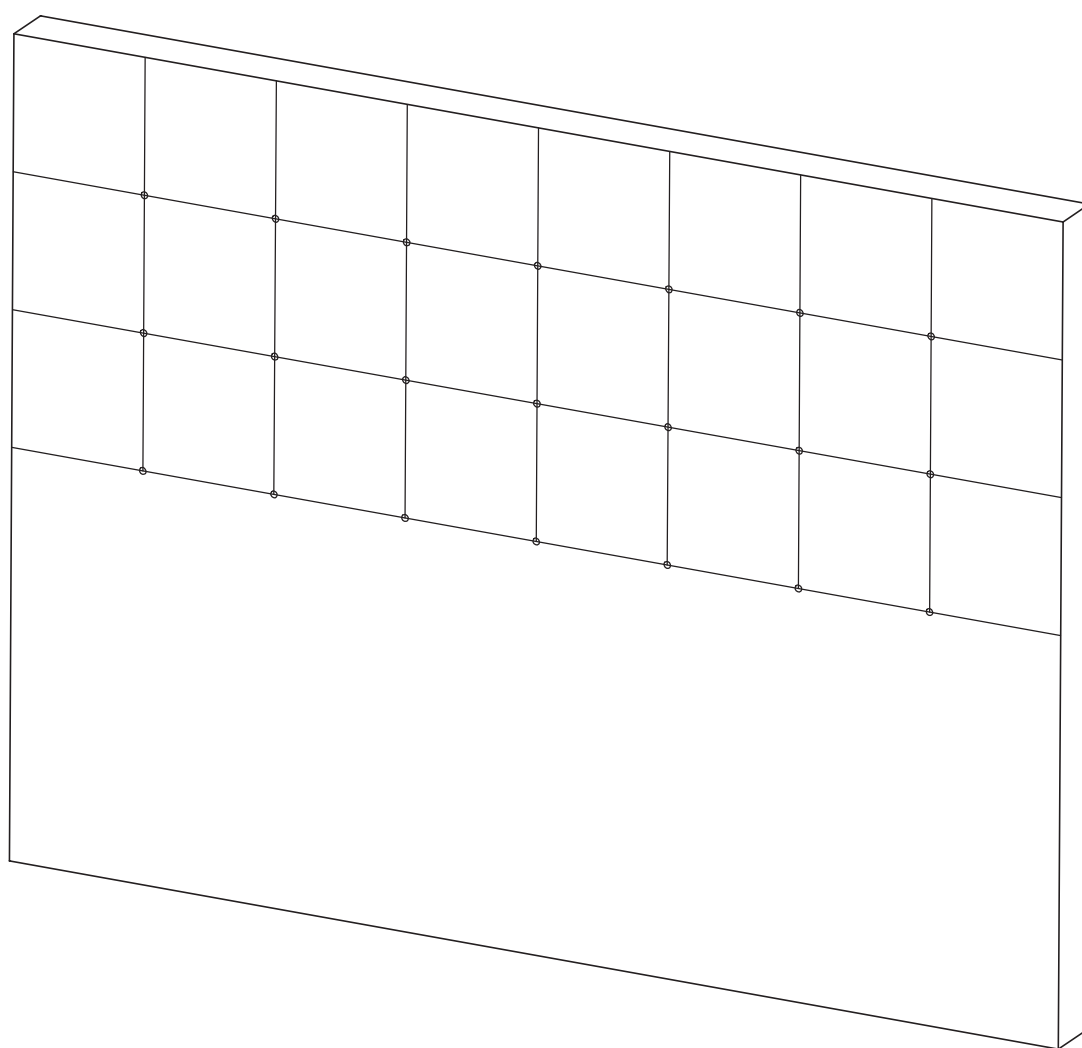
11



BANAK

NERIS

PAM-0005

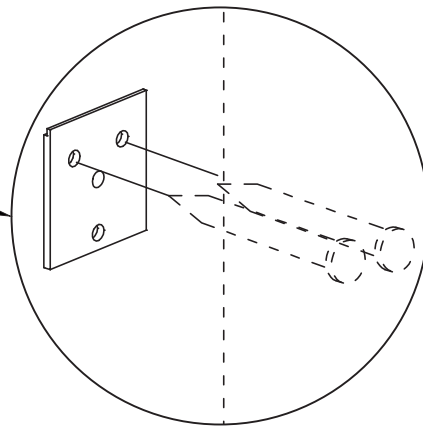
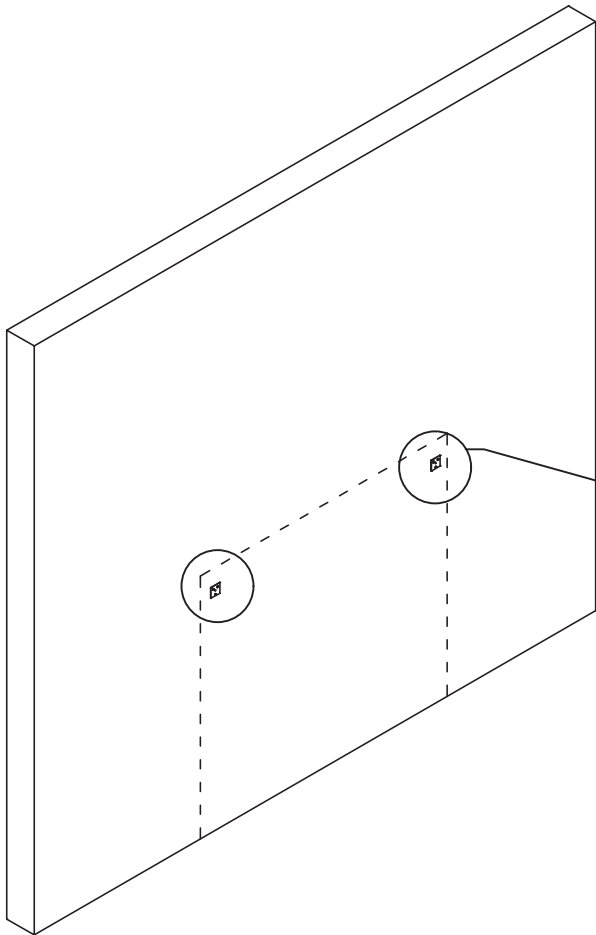
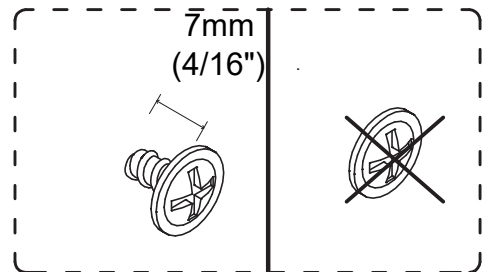


BANAK

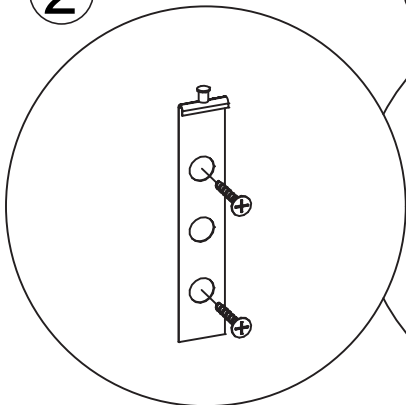
NERIS

PAM-0005

1



2



3

