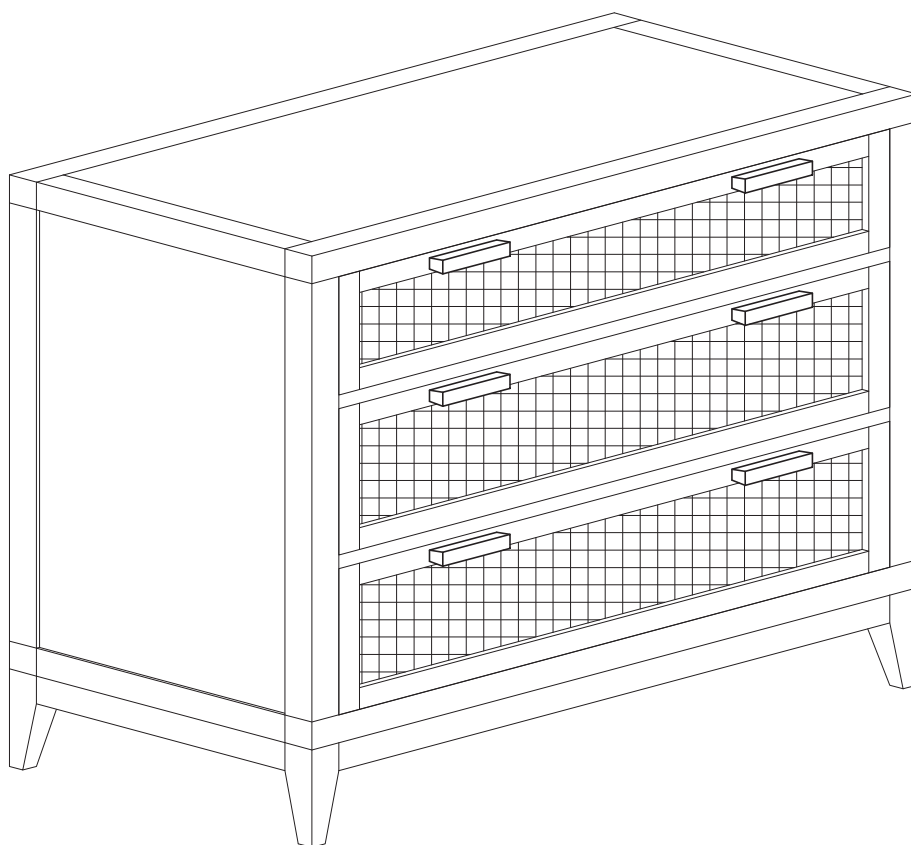


# BANAK

# PANDORA

PO-0102A

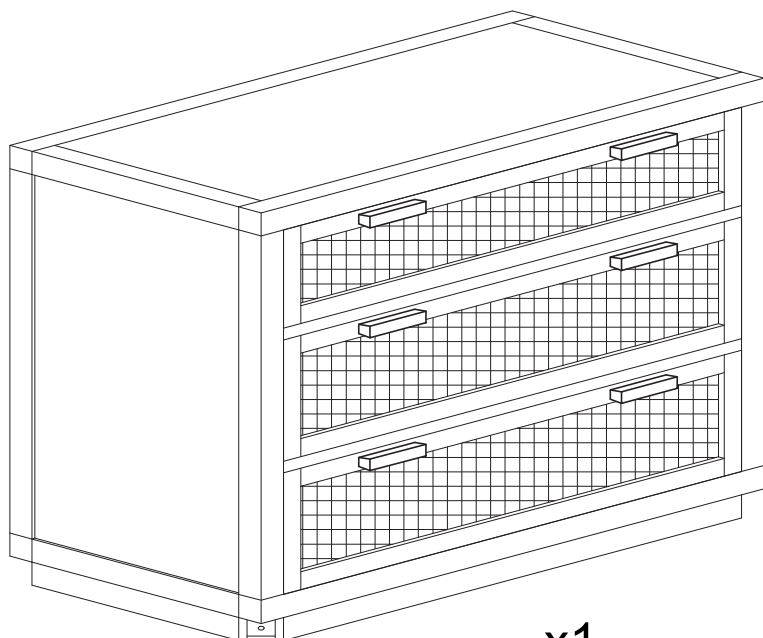


# BANAK

# PANDORA

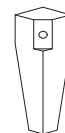
PO-0102A

**A**



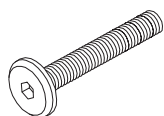
x1

**B**



x4

**1**



x4  
M6x40

**2**



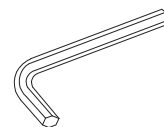
x4  
Ø6

**3**



x4  
Ø6/19

**4**



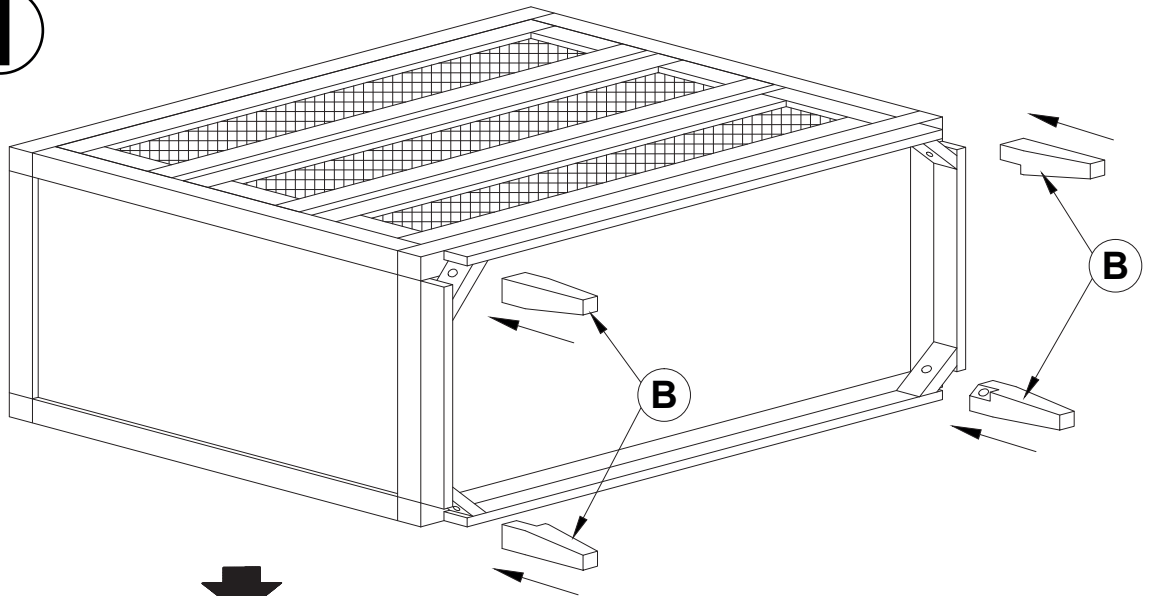
x1

# BANAK

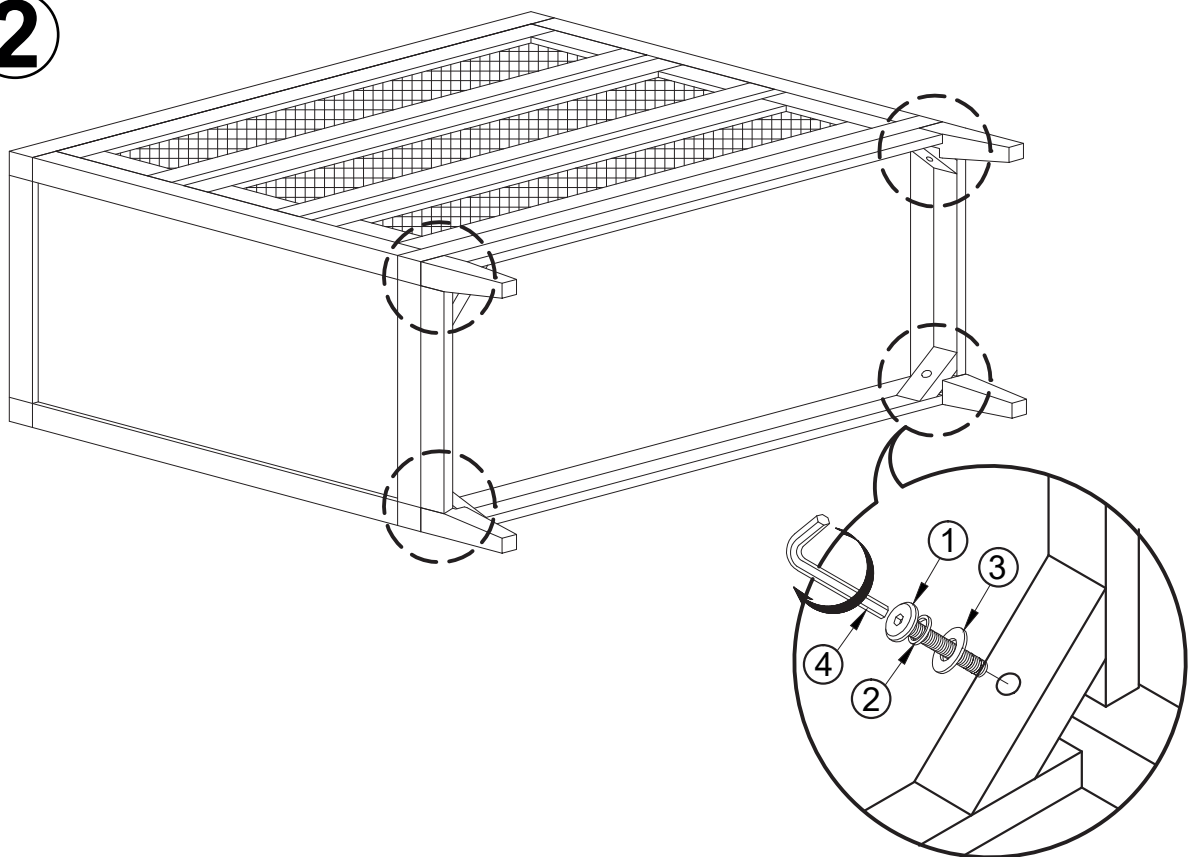
# PANDORA

PO-0102A

1



2

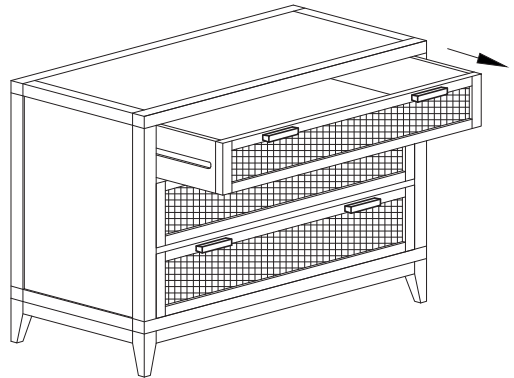


# BANAK

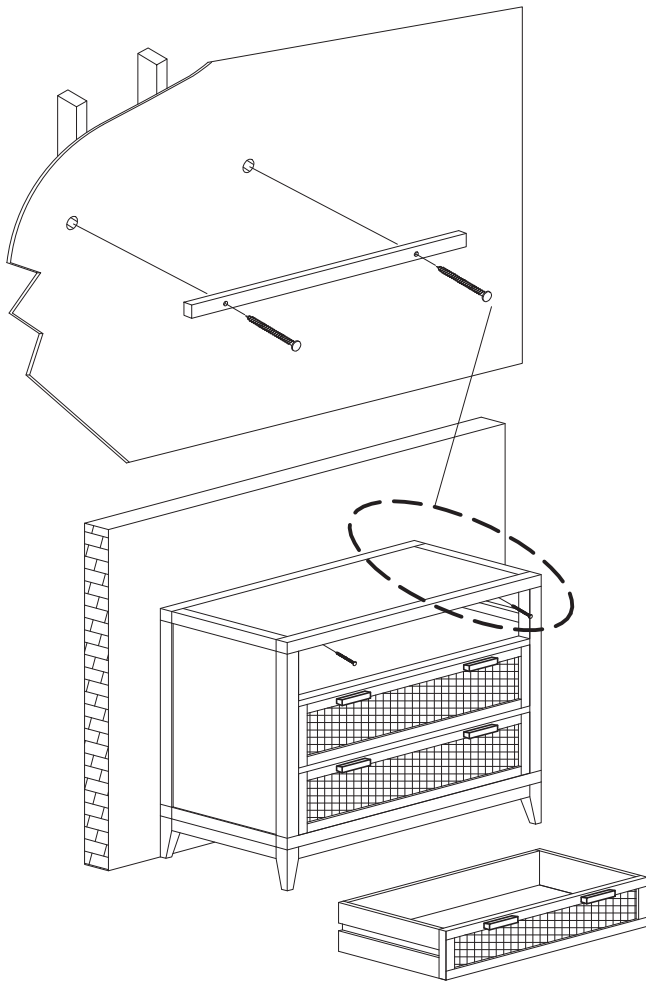
# PANDORA

PO-0102A

3



4



5

